

## Floor Boxes

# SystemOne Recessed 2 and 4 Gang Floor Box Cover

For Use In Concrete Floors

### Features

- 180 degree cover opening to lay flat and reduce tripping hazards
- Two large cable egress doors
- Die cast aluminum cover construction for enhanced durability
- ADA Compliant

### Ordering Information

- Compatible with CFB2G25, CFB2G25CR, CFB2G30, CFB2G30CR, CFB4G25, CFB4G25CR, CFB4G30 and CFB4G30CR
- Surface style typical applications: Carpet, VCT

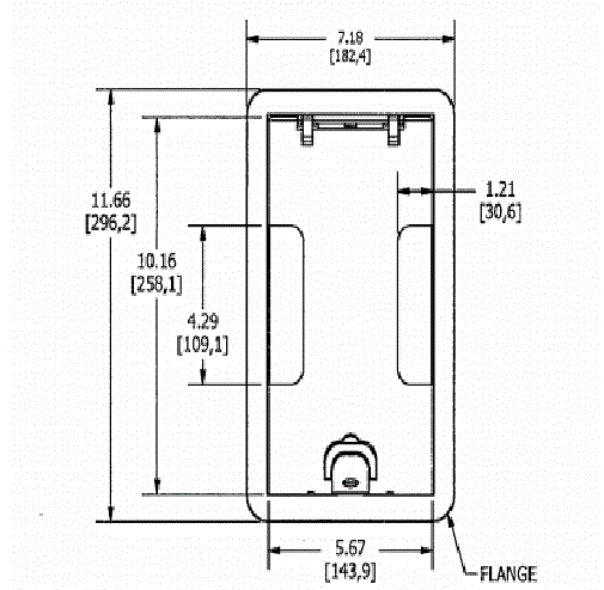
<b>Catalog Number</b> 24GCCVRBRZ	<b>UPC Number</b> 783585446417	<b>Style</b> Surface	<b>Finish</b> Antique Bronze Powder Coat
-------------------------------------	-----------------------------------	-------------------------	---

<b>Dimensions</b> 7-3/8 x 11-5/8 in.	<b>Floor Finish Insert</b> No
---	----------------------------------

### Specifications

Cover Material	Aluminum
Flange height	0.13 in.
Adjustment Range	0 - 1.0 inch
Load Rating	800 lbs. (w/ 2x safety factor)
Power Opening	1 in.
Low Voltage Opening	2 in.

# HUBBELL



### Online Resources

Customer Use Drawing  
eCatalog  
Installation Instructions

Dimensions in Inches (mm)

Hubbell Wiring Device-Kellems • Hubbell Incorporated (Delaware) • 40 Waterview Drive • Shelton, CT 06484

Phone (800) 288-6000 • Fax (800) 255-1031 • Specifications subject to change without notice.

