

Floor Boxes

SystemOne Recessed 6 and 10 Gang Floor Box Cover

For Use In Concrete Floors

Features

- 180 degree cover opening to lay flat and reduce tripping hazards
- Two large cable egress doors
- Die cast aluminum cover construction for enhanced durability
- Up to 1 in. of upward post pour adjustment
- ADA Compliant

Ordering Information

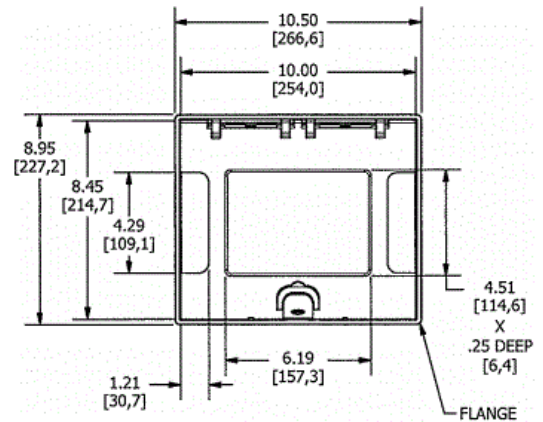
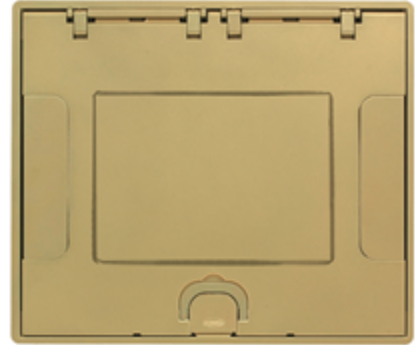
- Compatible with CFB6G30, CFB6G30CR, CFB10G55 and CFB10G55CR
- Flush style typical applications: Tile, Finished Concrete, Terrazo

| Catalog Number | UPC Number | Style | Finish |
|-------------------|----------------------------|-------|-------------------|
| 610GTCVRBRSC | 783585527277 | Flush | Brass Powder Coat |
| Dimensions | Floor Finish Insert | | |
| 10-1/2 x 9 in. | Yes - 6-1/8 x 4-1/2 in. | | |

Specifications

| | |
|------------------|---------------------------------|
| Cover Material | Aluminum |
| Flange height | 0.0 in. |
| Adjustment Range | 0 - 1.0 inch |
| Load Rating | 1500 lbs. (w/ 2x safety factor) |

HUBBELL



Online Resources

[Customer Use Drawing](#)
[eCatalog](#)
[Installation Instructions](#)

Dimensions in Inches (mm)

Hubbell Wiring Device-Kellems • Hubbell Incorporated (Delaware) • 40 Waterview Drive • Shelton, CT 06484

Phone (800) 288-6000 • Fax (800) 255-1031 • Specifications subject to change without notice.

