

H-MOSS® Controls Adaptive Dual Technology Wall Switches

HUBBELL

Features

- Dual technology sensing combines the individual advantages of passive infrared and ultrasonic detection
- No neutral required
- Built in photocell with manual super saver mode for daylight harvesting
- Impact resistant hard lens is standard and color matched to the switch

Ordering Information

| Description | Device Color | UPC Number | Catalog Number |
|---|--------------|--------------|----------------|
| Dual (ultrasonic and passive infrared), Auto control with no button | Light Almond | 783585413280 | AD2000LA1N |

Listings

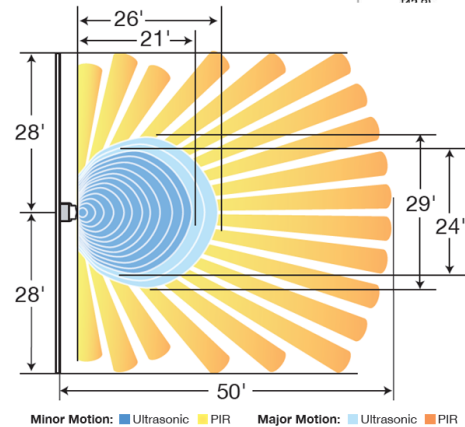
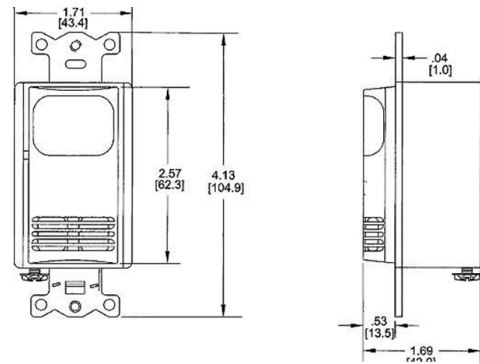
cULus Listed
Meets ASHRAE 90.1
CEC Title 24 Certified

Specifications

| | |
|-------------------|---|
| Housing | High impact plastic (UL-94-5V) |
| Mounting Strap | Plated steel |
| Lens | Dual element pyrometer and 12 element cylindrical hard lens |
| Sensing Indicator | Passive Infrared, Red LED. Ultrasonic, Green LED. |

Performance

| | |
|-------------------------|---|
| Electrical | |
| Load Capacity | Incandescent - 0 to 800 watts, 120V AC Ballast - 0 to 1000 watts, 277V AC Ballast 0 to 1800 watts |
| Power Supply | 120/277V AC, 50/60Hz |
| Mechanical | |
| Wire Leads | #18 AWG stranded wire, 6" long with ½" stripped ends |
| Environmental | |
| Operating Temperature | 32°F to 104°F (0°C to 40°C); 0% to 95% non-condensing relative humidity |
| Controls | |
| Ambient Light | Adjustable ambient light override, 10 to 500 foot candles |
| Sensitivity | |
| Time Delay | Adaptive 0% to 100% Digital, adaptive 4 to 30 minutes |
| Coverage Pattern | |
| Area | 1000 square foot. Area of coverage based on passive infrared technology minor motion pattern. See illustration. |
| Mounting Height | 42 to 54 inches above floor |



Complementary Products

Wallplate NP26LA, SS26, RCW1LA

Online Resources

Customer Use Drawing
eCatalog
Installation Instructions

Dimensions in Inches (mm)

Hubbell Wiring Device-Kellems • Hubbell Incorporated (Delaware) • 40 Waterview Drive • Shelton, CT 06484

Phone (800) 288-6000 • Fax (800) 255-1031 • Specifications subject to change without notice.

