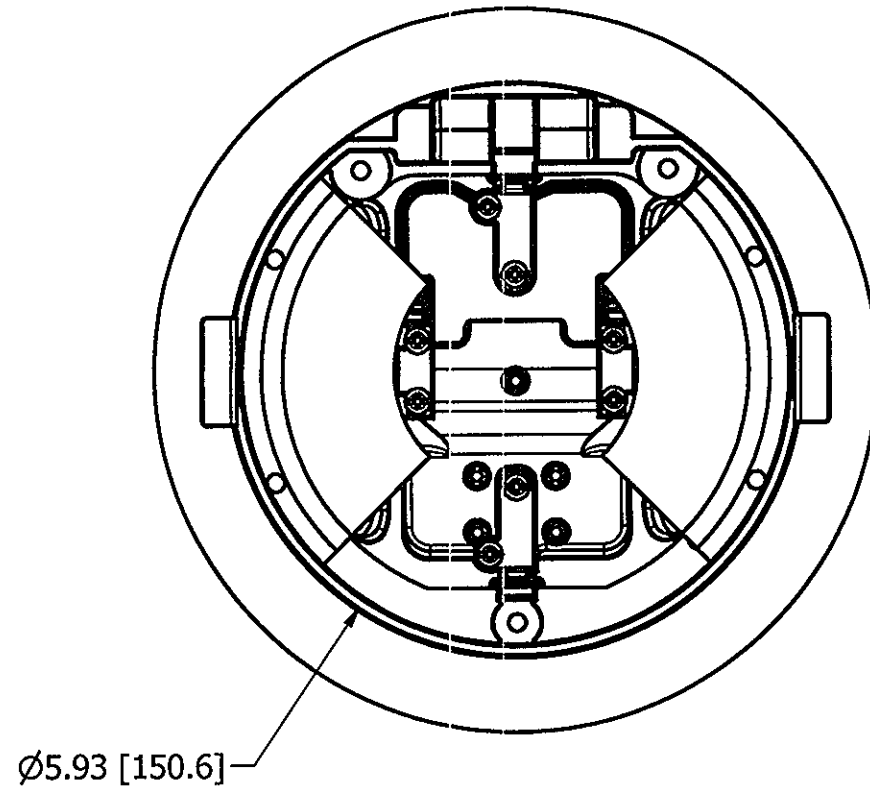
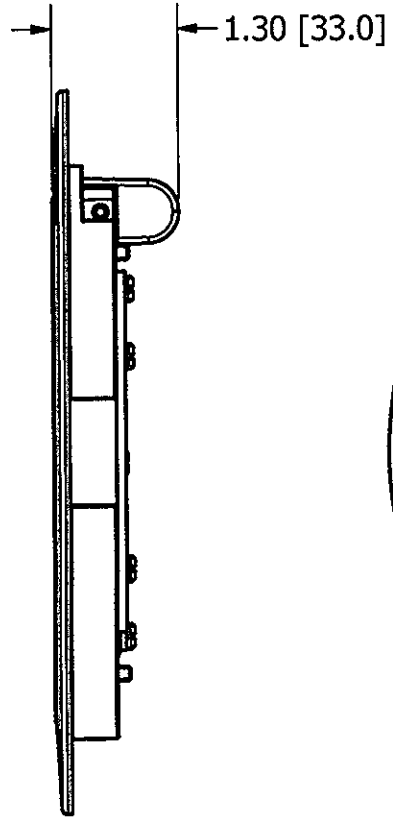
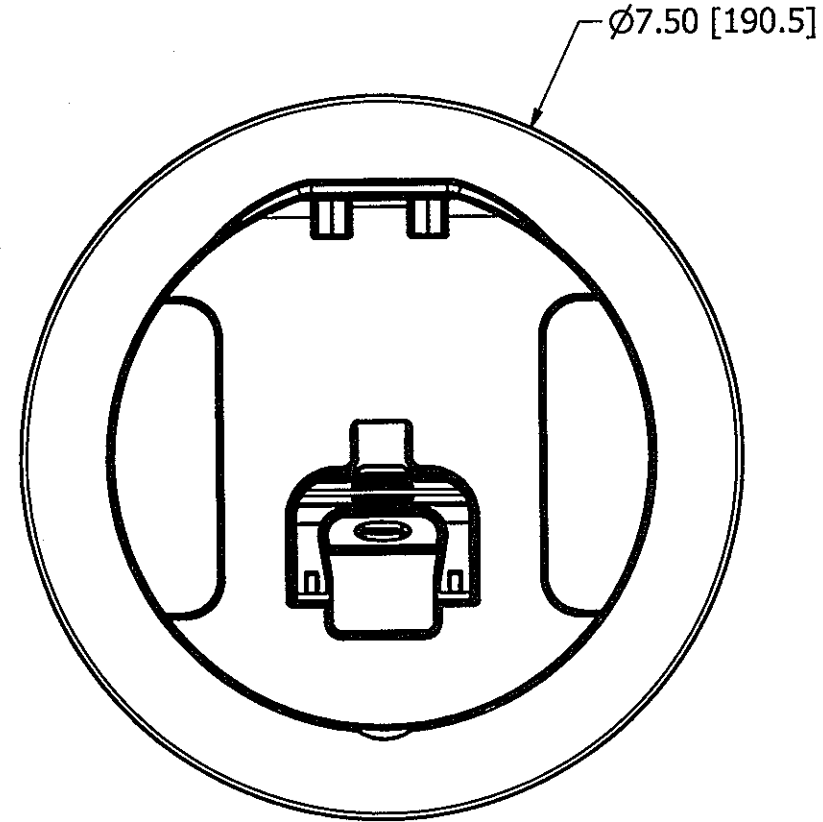


M-12575

1



CATALOG NO.	COVER FINISH
CFBS1R6CVRALU	BRUSHED ALUMINUM
CFBS1R6CVRBLK	BLACK POWDER COAT
CFBS1R6CVRBRS	BRASS PLATED
CFBS1R6CVRBRZ	BRONZE PLATED FINISH
CFBS1R6CVRNKL	SATIN NICKEL PLATED

NOTES:

1. ALL DIMENSIONS ARE IN INCHES AND [MILLIMETERS].
2. PRODUCT IS cULus LISTED. COMPLIES WITH UL 514A.
3. MOUNTING HARDWARE INCLUDED.

CODE 74545

LIST OF PARTS

DESCRIPTION	MATERIAL	FINISH
FLANGE RING	ALUMINUM	SEE TABLE
MAIN DOOR	ALUMINUM	SEE TABLE
ACCESS DOORS	ALUMINUM	SEE TABLE
HANDLE	ALUMINUM	SEE TABLE
HANDLE BEARING BLOCK	ALUMINUM	SEE TABLE
LINKS	ALUMINUM	SEE TABLE
SLIDERS	ALUMINUM	SEE TABLE
DOOR GASKETS	FOAM RUBBER	BLACK
WEATHERSTRIP	ALUMINUM/NYLON	PLAIN/BLACK
HARDWARE	STEEL	ZINC

DIMENSION SHEET FOR CAT. NO. SEE TABLE

REPAIRABLE  NON-REPAIRABLE

B

M-12575

1

1	INITIAL RELEASE PER DCN20709	SBW	8/18/2014
SYM	DESCRIPTION	APP	DATE

THE DESIGN AND DIMENSIONS OF THE PRODUCT SHOWN ON THIS DRAWING ARE SUBJECT TO CHANGE WITHOUT NOTICE

TITLE  
SYSTEM ONE 6 INCH ROUND COVER FOR RECESSED FLOOR BOXES

TOLERANCES UNLESS OTHERWISE SPECIFIED		WIRING DEVICE-KELLEMS HUBBELL INCORPORATED SHELTON, CT.	
.XX = ± .01	.XXX = ± .005	DR. BY	APP. BY
ANGLES = ± 2°		TR. BY	SCALE 1/2
		CHK'D BY SM	DATE 8/8/2014