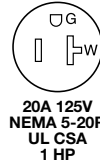


# HUBBELLPRO Ground Fault Receptacle AUTOGUARD® Self Test GFCI 20A, Standard, 3 Pack

# HUBBELL

## Features

- Autoguard self-test technology with auto-monitor, power denial
- Flush, smooth profile and satin finish complement any décor



## Ordering Information

| Description   | Color        | UPC Number   | Catalog Number |
|---|--------------|--------------|----------------|
| 20A, 125V, Style Line®, AUTOGUARD® self test GFCI receptacle, flush face, back and side wired, 3 pack | Light Almond | 883778451058 | GF20LA3        |

## Listings

|   |                                      |
|---|--------------------------------------|
| UL Listed - Canadian and U.S.<br>Meets ADA Standard<br>Meets are NEC requirements | CSA Certified<br>NEMA WD-6 Complaint |
|---|--------------------------------------|

## Specifications

|                 |                   |
|-----------------|-------------------|
| Face            | Nylon             |
| Base            | Nylon             |
| Power Contacts  | Brass             |
| Ground Contacts | Brass             |
| Mounting Strap  | Galvanized Steel  |
| Mounting Screw  | Zinc Plated Steel |

## Performance

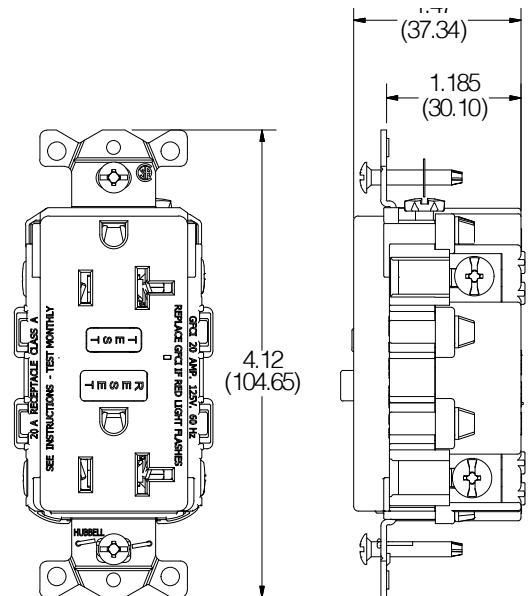
| Electrical                    |  |
|-------------------------------|--|
| Amperage                      | 20A, 20A Feed Thru                                       |
| Current Interrupting          | Certified for current interrupting at full rated current |
| Dielectric Voltage            | Withstands 1,500V minimum                                |
| Frequency                     | 60 Hz  |
| Maximum Interrupting Capacity | 10,000A  |
| Trip Level                    | 4 to 6 mA  |
| Trip Time                     | 0.25 second nominal                                      |
| Voltage                       | 120 AC +10% - 15% (102V to 132V)                         |

## Mechanical

|                         |  |
|-------------------------|--|
| Product Identification  | Ratings are a permanent part of the device             |
| Terminal Accommodation  | #14 - 10 AWG copper stranded or solid conductor only   |
| Terminal Identification | Terminals identified in accordance with UL 948 and CSA |

## Environmental

|                       |                                 |
|-----------------------|---------------------------------|
| Flammability          | V2 per UL 94                    |
| Operating Temperature | -35 C to 66 C or -30 F to 150 F |



## Accessories

Wall plate not included

## Links

Customer Drawings  
Instruction Installations  
Media