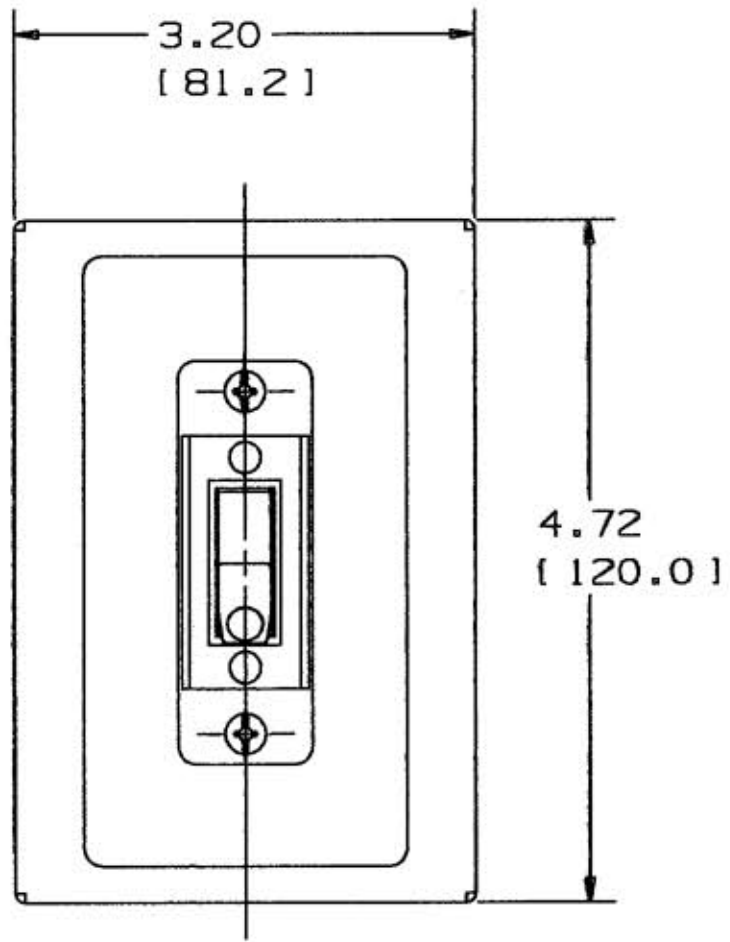
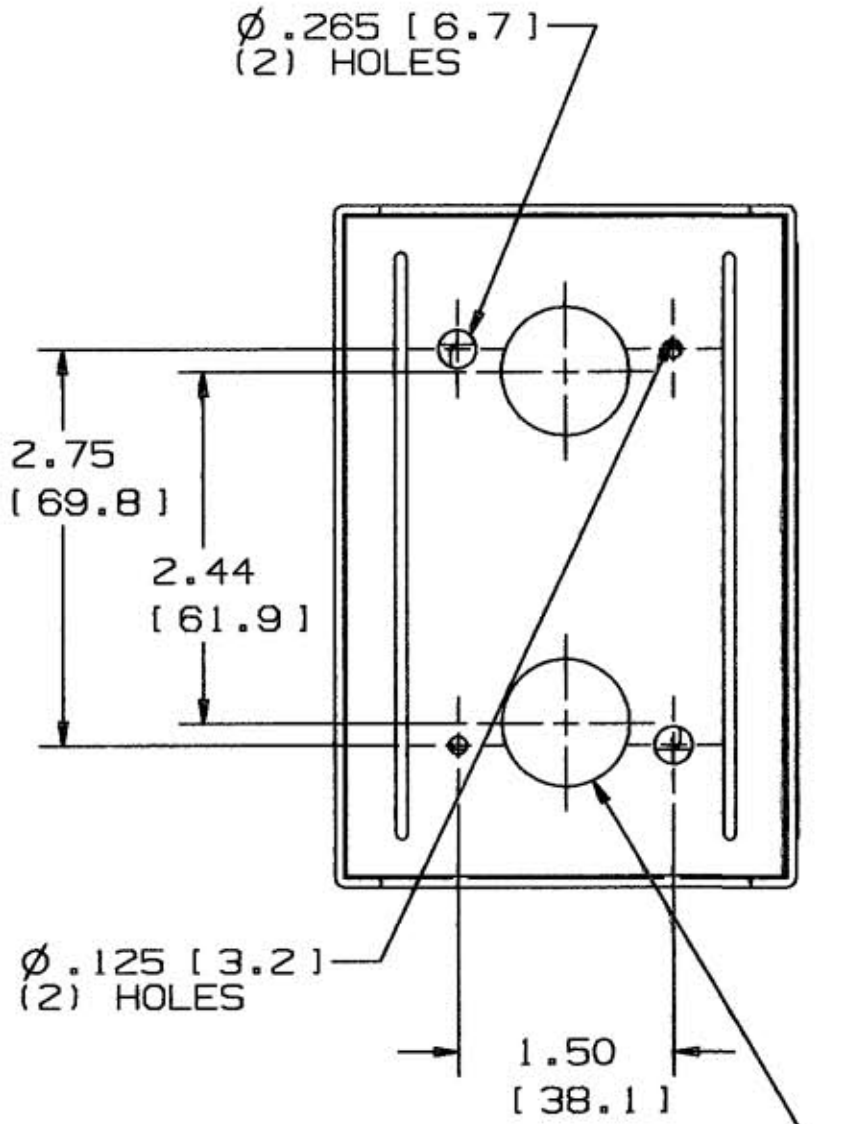
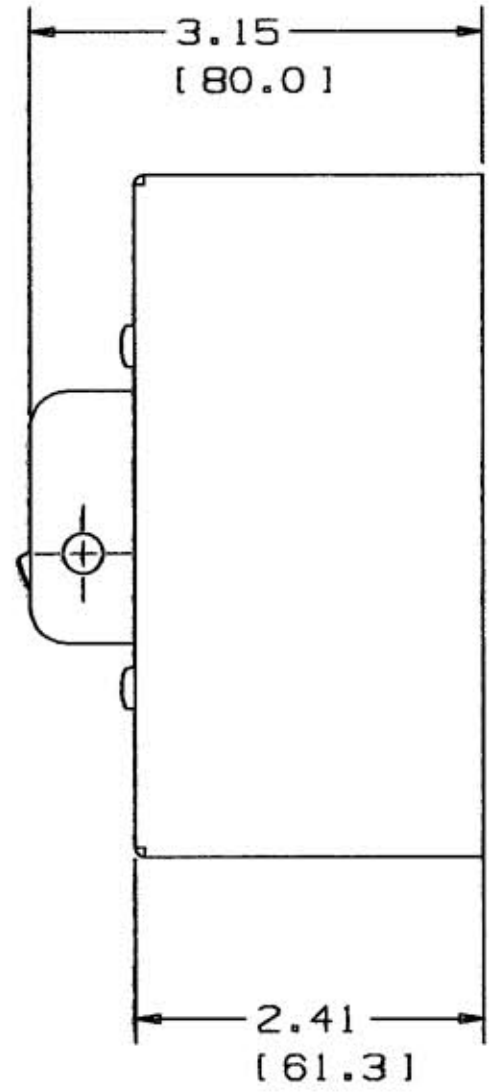


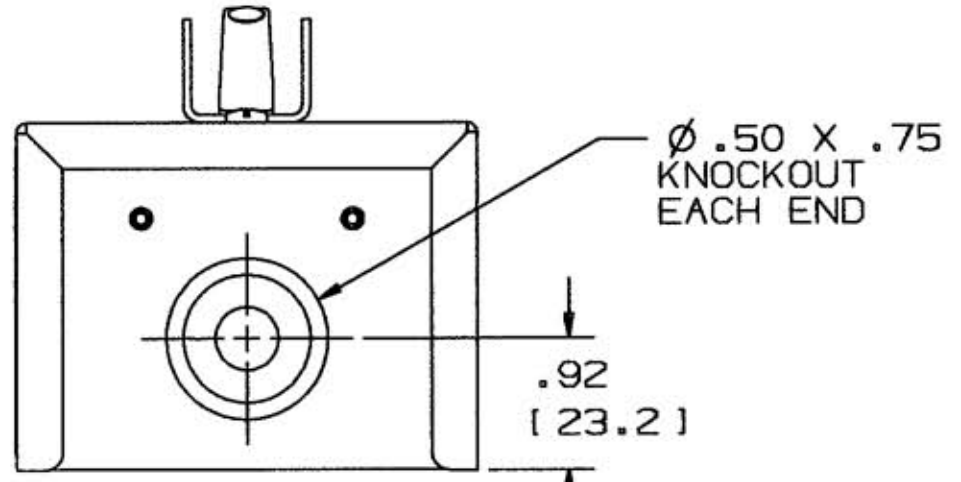
M-9314 1



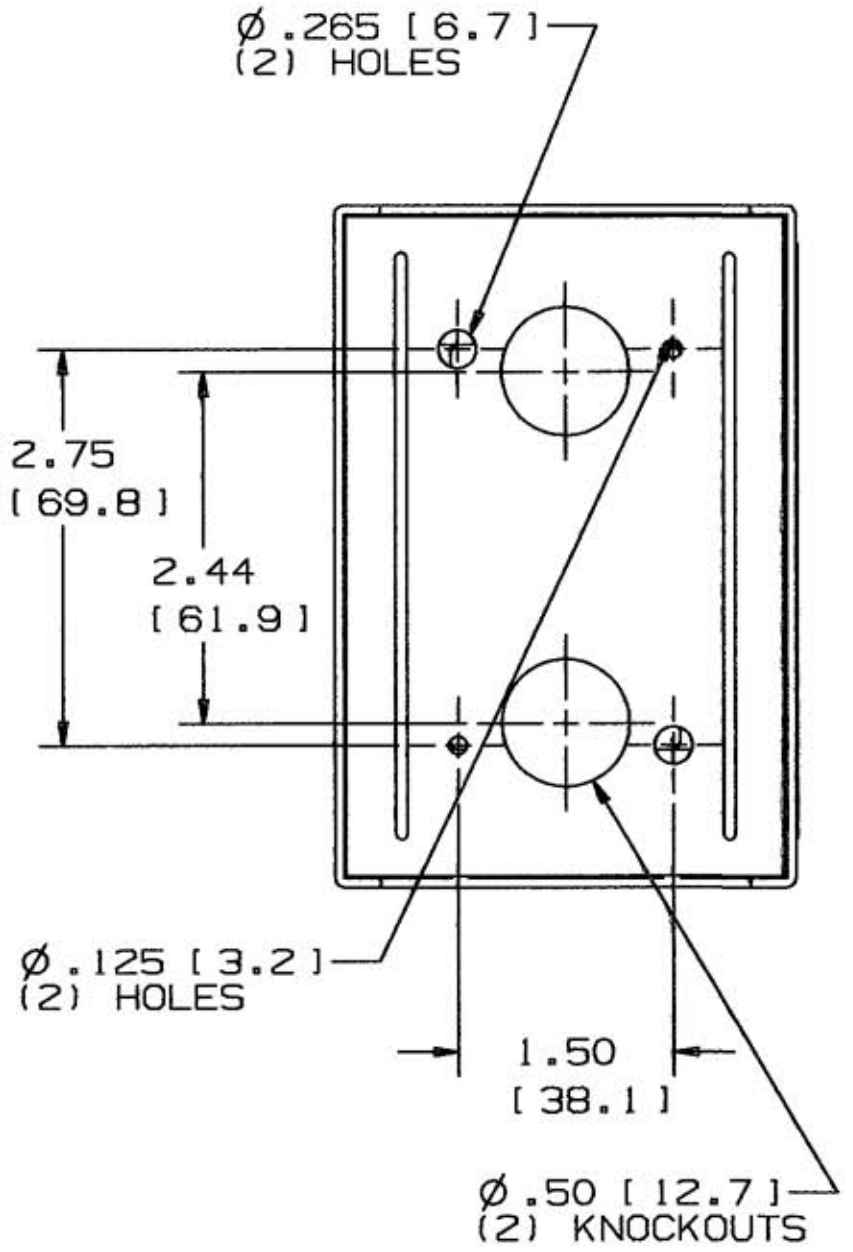
FRONT VIEW



BACK VIEW



END VIEW



CATALOG NO.	PHASE	GENERAL RATING	H.P. RATINGS				TERM. MAX. CAP. & WIRE INFO.	INSUL. IN. SIDE WIRE	STRIP MM. BACK WIRE	TERMINAL TORQUE LB. IN. (Nm)
			120V AC	240V AC	480V AC	600V AC				
HBL1372D	1Ø	30A	2	5	10	15	#10 AWG CU ONLY	1-1/4 [32]	5/8 [16]	20 [2.4]
HBL1379D	3Ø	600VAC	3	7.5	15	20				
HBL1370		EMPTY ENCLOSURE TO BE USED WITH HBL7832D OR HBL7810D								

DESCRIPTION	MATERIAL	FINISH
ENCLOSURE	ALUMINUM	
SW BASE & COVER	THERMOSET	BLACK
SW HANDLE	THERMOPLASTIC	BLACK
BRIDGE	STEEL	ZINC
TERMINALS	COPPER ALLOY	
BACK PLATE	COPPER ALLOY	
SCREWS	COPPER ALLOY	
RIVETS	STEEL	ZINC

SYMBOL	REVISIONS	APP	DATE
1	DCN11626 INITIAL RELEASE	SM	4-14-04

THE DESIGN AND DIMENSIONS OF THE PRODUCT SHOWN ON THIS DRAWING ARE SUBJECT TO CHANGE WITHOUT NOTICE

TITLE NEMA 1 ENCLOSURE TGL. MOTOR DISC. HUBBELL CUSTOMER DRAWING

TOLERANCES UNLESS OTHERWISE SPECIFIED	WIRING DEVICE-KELLEMS HUBBELL INCORPORATED BRIDGEPORT, CT		
FRACTIONS ± 1/64	DR. BY	PAC	APP. BY SM
DECIMALS ± .005	TR. BY		SCALE NONE
ANGLES ± 2°	CHK'D BY SM		DATE 3-18-04

DIMENSION SHEET FOR CAT. NO. SEE CHART REPAIRABLE  NON-REPAIRABLE  B M-9314 1