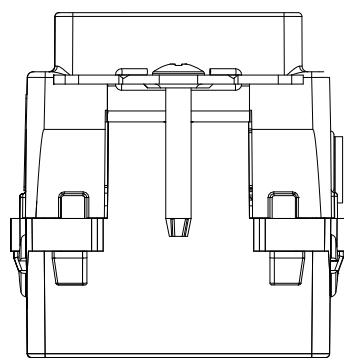
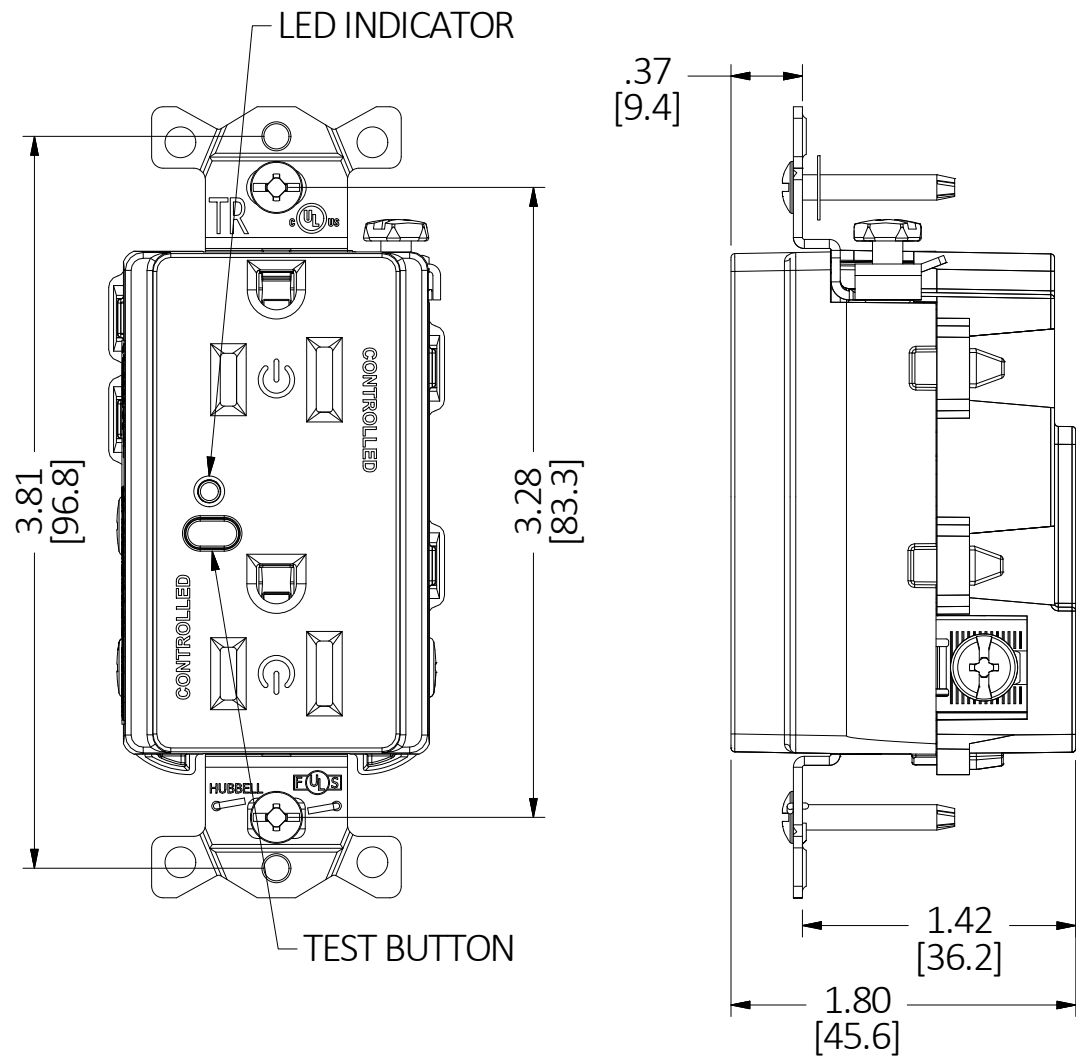


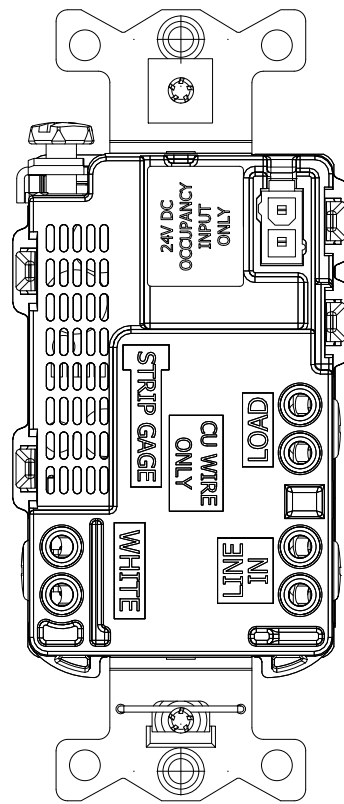
M-13381

4



FULLY CONTROLLED FACE SHOWN

- NOTES: (UNLESS OTHERWISE SPECIFIED)
 1. ALL DIMENSIONS ARE IN INCHES [mm].
 2. RATING: 15A, 125V AC. (SHOWN)
 RATING: 20A, 125V AC.
 3. WIRED VERSION RECEPTACLE COMES WITH 36" JUMPER WIRE & CONNECTOR TO EXIT BOX (NOT SHOWN)



SPLIT CONTROLLED		
CATALOG NO.	15A	20A
HBL5262LC1W	X	
HBL5262LC1I	X	
HBL5262LC1BK	X	
HBL5262LC1	X	
HBL5262LC1LA	X	
HBL5262LC1GY	X	
HBL5262LC1GN	X	
HBL5362LC1W		X
HBL5362LC1I		X
HBL5362LC1BK		X
HBL5362LC1		X
HBL5362LC1LA		X
HBL5362LC1GY		X
HBL5362LC1GN		X

FULLY CONTROLLED		
CATALOG NO	15A	20A
HBL5262LC2W	X	
HBL5262LC2I	X	
HBL5262LC2BK	X	
HBL5262LC2	X	
HBL5262LC2LA	X	
HBL5262LC2GY	X	
HBL5262LC2GN	X	
HBL5362LC2W		X
HBL5362LC2I		X
HBL5362LC2BK		X
HBL5362LC2		X
HBL5362LC2LA		X
HBL5362LC2GY		X
HBL5362LC2GN		X

FULLY CONTROLLED H/G		
CATALOG N	15A	20A
HBL2172LC2W	X	
HBL2172LC2I	X	
HBL2172LC2BK	X	
HBL2172LC2	X	
HBL2172LC2GY	X	
HBL2172LC2LA	X	
HBL2172LC2GN	X	
HBL2182LC2W		X
HBL2182LC2I		X
HBL2182LC2BK		X
HBL2182LC2		X
HBL2182LC2GY		X
HBL2182LC2LA		X
HBL2182LC2GN		X

SPLIT CONTROLLED H/G		
CATALOG NO	15A	20A
HBL2172LC1W	X	
HBL2172LC1I	X	
HBL2172LC1BK	X	
HBL2172LC1	X	
HBL2172LC1GY	X	
HBL2172LC1LA	X	
HBL2172LC1GN	X	
HBL2182LC1W		X
HBL2182LC1I		X
HBL2182LC1BK		X
HBL2182LC1		X
HBL2182LC1GY		X
HBL2182LC1LA		X
HBL2182LC1GN		X

LIST OF PARTS		
DESCRIPTION	MATERIAL	FINISH
FACE	THERMOPLASTIC	
BOTTOM	THERMOPLASTIC	
SCREWS	STEEL	Zn PLATE
RECEPTACLE BRIDGE	BRASS	
PCB	EPOXY RESIN	
SCREWS	BRASS	
WIRE CLAMP	STEEL	Zn PLATE
WASHER	THERMOPLASTIC	
TERMINAL COVER	THERMOPLASTIC	
JUMPER WIRE ASSY	BRASS WIRE	
CONNECTOR	PLASTIC	

4	ADDED PAGE 2 TO DRAWING WITH WIRELESS CATALOG NUMBERS. PER DCN 23512 DMP	3/30/2018
3	UPDATED VIEWS & CATALOG NO. PER DCN 22758 DMP	5/18/2017
2	UPDATED VIEWS PER DCN 22642 DMP	10/6/16
1	RELEASED PER DCN 22110	5/25/2016
SYM	DESCRIPTION	DATE

THE DESIGN AND DIMENSIONS OF THE PRODUCT SHOWN ON THIS DRAWING ARE SUBJECT TO CHANGE WITHOUT NOTICE. DIMENSIONS ARE IN INCHES [mm].

TITLE
LOAD CONTROL RECEPTACLE WIRED

WIRING DEVICE-KELLEMS
 HUBBELL INCORPORATED
 SHELTON, CT

TOLERANCES UNLESS OTHERWISE SPECIFIED .XX = ± .01 .XXX = ± .005 ANGLE TOL. ±2'	DR. BY D. PECK	SCALE 1 : 1
	CHK. BY	DATE 3-11-16

DIMENSION SHEET FOR CAT. NO.

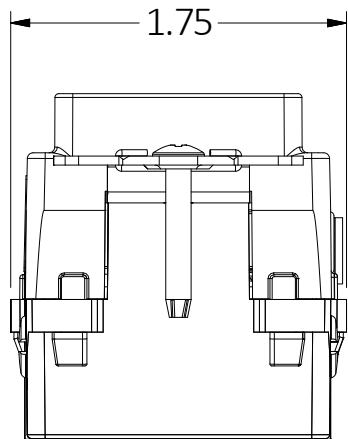
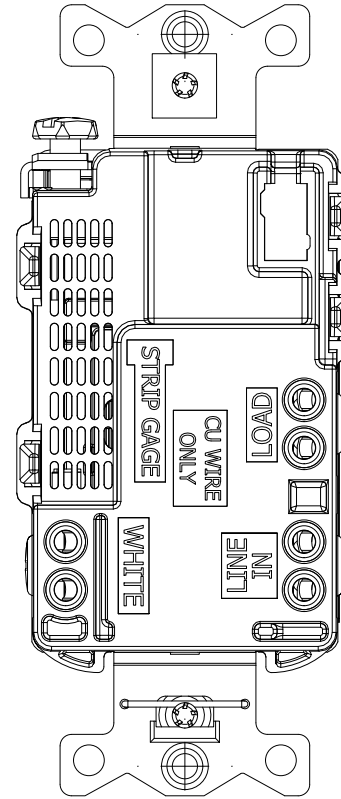
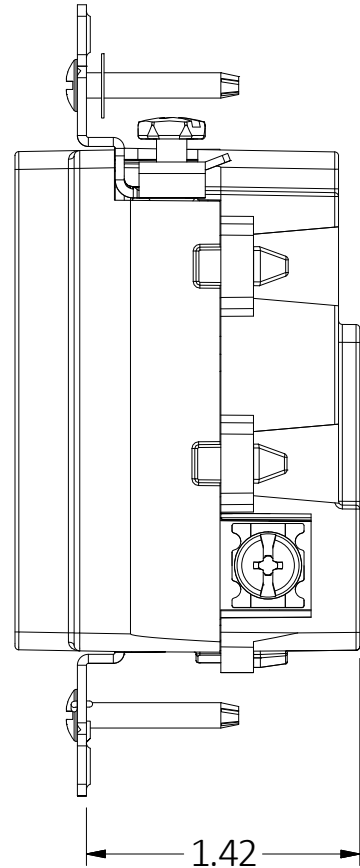
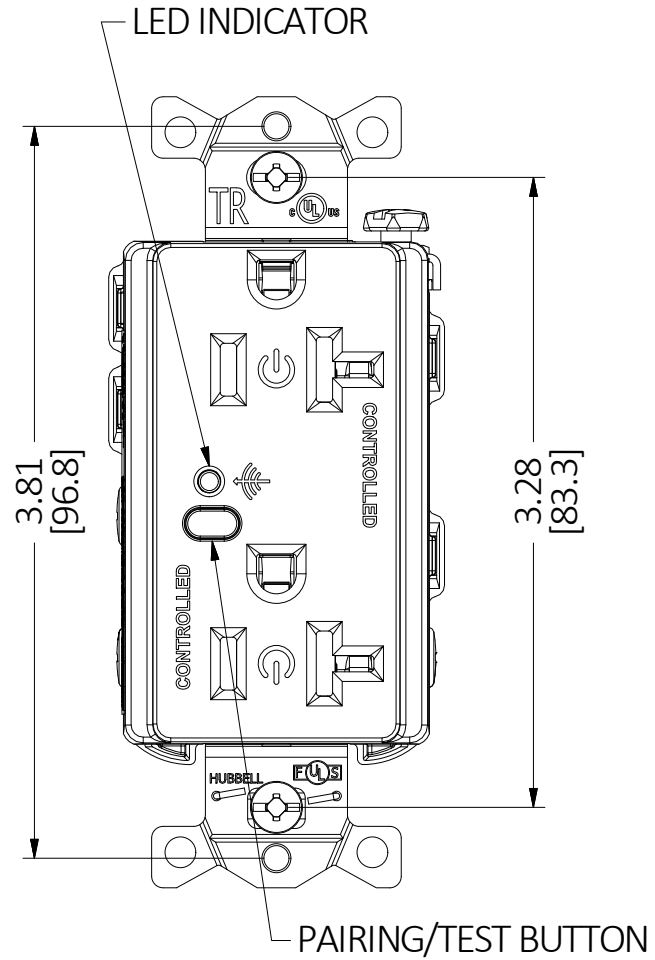
B

M-13381

4

M-13381

4



FULLY CONTROLLED FACE SHOWN

NOTES: (UNLESS OTHERWISE SPECIFIED)
 1. ALL DIMENSIONS ARE IN INCHES [mm].
 2. RATING: 15A, 125V AC. (SHOWN)
 RATING: 20A, 125V AC.

FULLY CONTROLLED H/G		
CATALOG NO.	15A	20A
HBL2172RFC2W	X	
HBL2172RFC2I	X	
HBL2172RFC2BK	X	
HBL2172RFC2	X	
HBL2172RFC2LA	X	
HBL2172RFC2GY	X	
HBL2172RFC2GN	X	
HBL2182RFC2W		X
HBL2182RFC2I		X
HBL2182RFC2BK		X
HBL2182RFC2		X
HBL2182RFC2LA		X
HBL2182RFC2GY		X
HBL2182RFC2GN		X

SPLIT CONTROLLED H/G		
CATALOG NO.	15A	20A
HBL2172RFC1W	X	
HBL2172RFC1I	X	
HBL2172RFC1BK	X	
HBL2172RFC1	X	
HBL2172RFC1LA	X	
HBL2172RFC1GY	X	
HBL2172RFC1GN	X	
HBL2182RFC1W		X
HBL2182RFC1I		X
HBL2182RFC1BK		X
HBL2182RFC1		X
HBL2182RFC1LA		X
HBL2182RFC1GY		X
HBL2182RFC1GN		X

SPLIT CONTROLLED		
CATALOG NO.	15A	20A
HBL5262RFC1W	X	
HBL5262RFC1I	X	
HBL5262RFC1BK	X	
HBL5262RFC1	X	
HBL5262RFC1LA	X	
HBL5262RFC1GY	X	
HBL5262RFC1GN	X	
HBL5362RFC1W		X
HBL5362RFC1I		X
HBL5362RFC1BK		X
HBL5362RFC1		X
HBL5362RFC1LA		X
HBL5362RFC1GY		X
HBL5362RFC1GN		X

FULLY CONTROLLED		
CATALOG NO.	15A	20A
HBL5262RFC2W	X	
HBL5262RFC2I	X	
HBL5262RFC2BK	X	
HBL5262RFC2	X	
HBL5262RFC2LA	X	
HBL5262RFC2GY	X	
HBL5262RFC2GN	X	
HBL5362RFC2W		X
HBL5362RFC2I		X
HBL5362RFC2BK		X
HBL5362RFC2		X
HBL5362RFC2LA		X
HBL5362RFC2GY		X
HBL5362RFC2GN		X

LIST OF PARTS		
DESCRIPTION	MATERIAL	FINISH
FACE	THERMOPLASTIC	
BOTTOM	THERMOPLASTIC	
SCREWS	STEEL	Zn PLATE
RECEPTACLE BRIDGE	BRASS	
PCB	EPOXY RESIN	
SCREWS	BRASS	
WIRE CLAMP	STEEL	Zn PLATE
WASHER	THERMOPLASTIC	
TERMINAL COVER	THERMOPLASTIC	
JUMPER WIRE ASSY	BRASS WIRE	
CONNECTOR	PLASTIC	

4	ADDED PAGE 2 TO DRAWING WITH WIRELESS CATALOG NUMBERS. PER DCN 23512 DMP	3/30/2018
3	UPDATED VIEWS & CATALOG NO. PER DCN 22758 DMP	5/18/2017
2	UPDATED VIEWS PER DCN 22642 DMP	10/6/16
1	RELEASED PER DCN 22110	5/25/2016
SYM	DESCRIPTION	DATE

THE DESIGN AND DIMENSIONS OF THE PRODUCT SHOWN ON THIS DRAWING ARE SUBJECT TO CHANGE WITHOUT NOTICE. DIMENSIONS ARE IN INCHES [mm].

TITLE
LOAD CONTROL RECEPTACLE WIRELESS

HUBBELL WIRING DEVICE-KELLEMS
 HUBBELL INCORPORATED
 SHELTON, CT

TOLERANCES UNLESS OTHERWISE SPECIFIED .XX = ±.01 .XXX = ±.005 ANGLE TOL. ±2'	DR. BY D. PECK	SCALE 1:1
	CHK. BY	DATE 3-11-16

DIMENSION SHEET FOR CAT. NO.

B

M-13381

4