

Raceway Metal Raceway Tee Fitting

HUBBELL

Features

- For use with HBL500, HBL700 and HBL750 Series Raceway
- For branches at right angles.

Ordering Information

| Description | Color | UPC Number | Catalog Number |
|-------------|-------|--------------|----------------|
| Tee Fitting | Ivory | 783585423111 | HBL5715IVA |

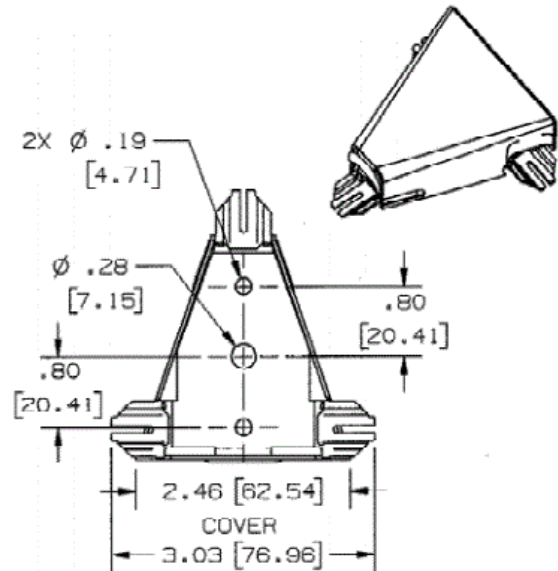


Listings

UL Listed
CSA Certified

Specifications

| | |
|--------|-------|
| Height | 1.14" |
| Width | 3.03" |
| Length | 3.06" |



Online Resources

Customer Use Drawing
eCatalog
Installation Instructions

Dimensions in Inches (mm)

Hubbell Wiring Device-Kellems • Hubbell Incorporated (Delaware) • 40 Waterview Drive • Shelton, CT 06484

Phone (800) 288-6000 • Fax (800) 255-1031 • Specifications subject to change without notice.

