

M-8024 3



FIGURE 2

WIRE	COLOR
1	GREEN
2	BLACK
3	WHITE



FIGURE 3

WIRE	COLOR
1	BLACK
2	WHITE
3	RED
4	GREEN



FIGURE 4

WIRE	COLOR
1	WHITE
2	RED
3	GREEN
4	ORANGE
5	BLACK



FIGURE 5

WIRE	COLOR
1	WHITE
2	RED
3	GREEN
4	ORANGE
5	BLACK
6	BLUE

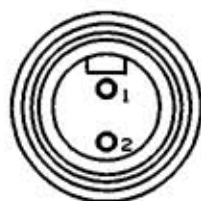
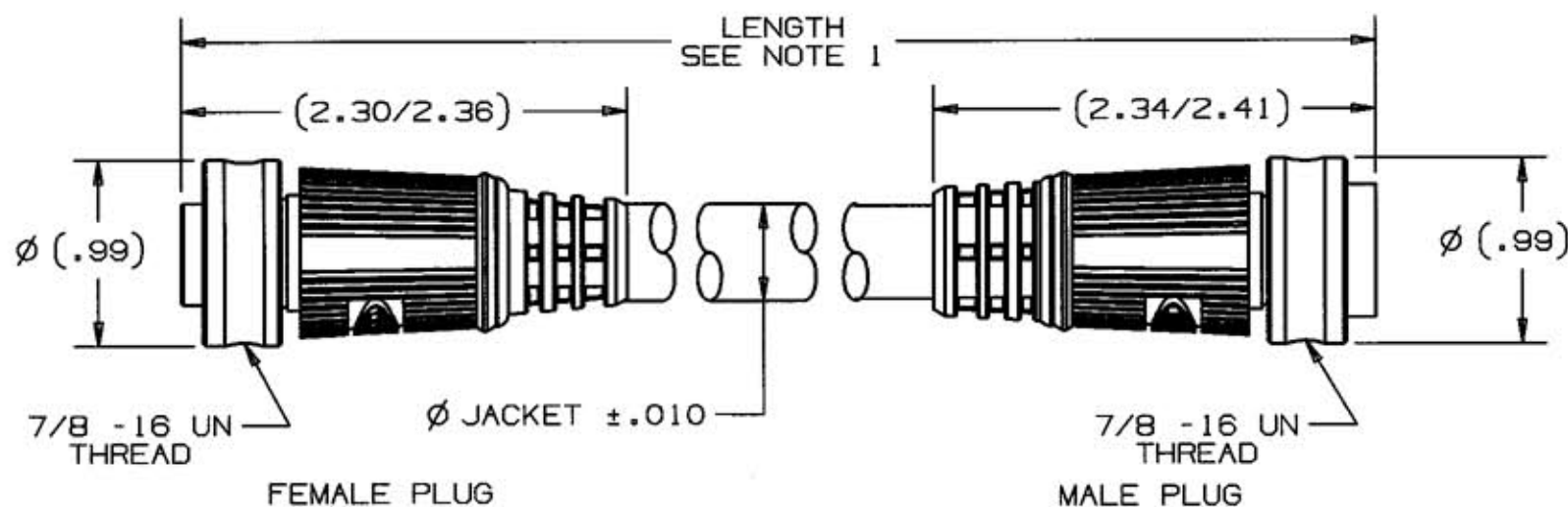


FIGURE 1

WIRE	COLOR
1	WHITE
2	BLACK



NOTES:

- JUMPER ASSEMBLIES AVAILABLE IN 3,6,12,15,20, AND 25 FOOT LENGTHS. CONSULT FACTORY FOR OTHER LENGTHS.
- TWO DIGIT SUFFIX IN CATALOG NUMBER DENOTES LENGTH OF PLUG ASSEMBLY IN FEET. HJNS02103 IS 3 FEET LONG.
- ALL FIGURES ARE SHOWN WITH FEMALE PLUGS.
- CATALOG NUMBER PREFIX;
HJNS_____ DENOTES A PLASTIC COUPLING NUT,
HJMS_____ DENOTES A METAL COUPLING NUT.

CATALOG NUMBER SEE NOTE 2	SEE FIGURE NUMBER	NUMBER OF POLES	AMPS	CABLE JACKET DIA.
HJMS021___ HJNS021___	1	2	15	.370
HJMS031___ HJNS031___	2	3	15	.420
HJMS041___ HJNS041___	3	4	12	.420
HJMS051___ HJNS051___	4	5	10	.500
HJMS061___ HJNS061___	5	6	10	.520

LIST OF PARTS

DESCRIPTION	MATERIAL	FINISH
COUPLING NUT	SEE NOTE 3	
INSULATOR, SOCKET	NYLON	WHITE
RETAINER	NYLON	BLACK
O-RING	RUBBER	BLACK
O-RING	SILICONE	GREEN
SOCKET CONTACT	COPPER ALLOY	GOLD OVER Pd/Ni
OVERMOLD	POLYURETHANE	BLACK
CABLE	16 AWG PVC	BLACK
PIN CONTACT	BRASS	GOLD OVER Pd/Ni
INSULATOR, PIN	NYLON	WHITE

SYMBOL	REVISIONS	APP	DATE
3	LIST OF PARTS, REMOVE COUPLING NUT NYLON BK. REMOVE BRASS WITH NIC. FINISH. ADD SEE NOTE 3. NOTE 2 CAT WAS HCJS. DIM 2.30 ADD 2.36 DIM 2.34 ADD 2.41 DCN10549 GPK/GPH <i>APK</i>	GPH	2/20/03
2	ADDED NOTE 4; ADDED HJNS CAT. NOS. TO TABLE; ADDED COUPLING NUT TO "LIST OF PARTS" PER DCN 7955 RCM		9/11/00
1	RELEASED PER DCN6427. DJH	GPH	03/22/99

SYMBOL	REVISIONS	APP	DATE
THE DESIGN AND DIMENSIONS OF THE PRODUCT SHOWN ON THIS DRAWING ARE SUBJECT TO CHANGE WITHOUT NOTICE			
TITLE STRAIGHT MALE/FEMALE JUMPER PLUG, #16 AWG STOOV CABLE			
TOLERANCES UNLESS OTHERWISE SPECIFIED		WIRING DEVICE-KELLEMS HUBBELL INCORPORATED BRIDGEPORT, CT	
FRACTIONS ± 1/64		DR. BY DJH APP. BY	
DECIMALS ± .005		TR. BY SCALE NONE	
ANGLES ± 2°		CHK'D BY DATE 03/19/99	

DIMENSION SHEET FOR CAT. NO. M-8024
 REPAIRABLE NON-REPAIRABLE
 SEE CHART
 B
 M-8024
 3