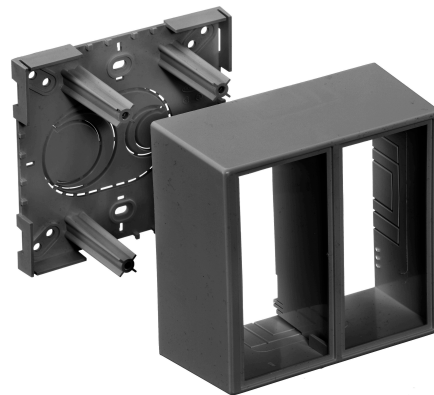


Raceway
Non-Metallic Raceway
PW2 WallTrak® (Latching) 2-Gang Deep
Divided Box

HUBBELL

Features

- For deep devices or applications where additional room is beneficial.
- See page R-63 for single gang “KP” plate options.
- Comes with removable divider.
- If using dual services, in a perpendicular run the PDB2DIV must be ordered.



Ordering Information

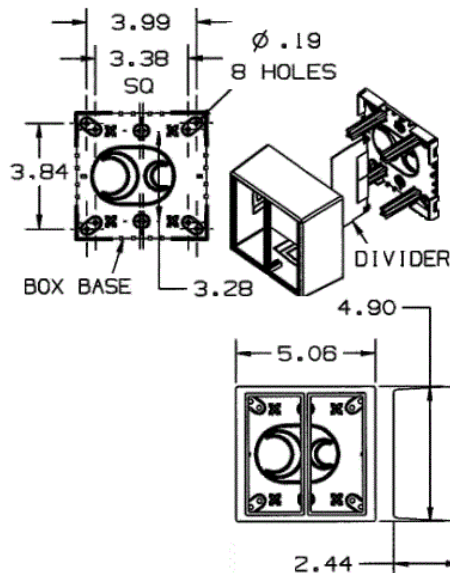
Description	Color	UPC Number	Catalog Number
2-Gang Deep Divided Box	Black	783585562599	PDB12TGDBK

Listings

UL Listed
 CSA Certified

Specifications

Height	4.90"
Width	5.06"
Length	2.44"



Online Resources

Customer Use Drawing
 eCatalog
 Installation Instructions

Dimensions in Inches (mm)

Hubbell Wiring Device-Kellems • Hubbell Incorporated (Delaware) • 40 Waterview Drive • Shelton, CT 06484

Phone (800) 288-6000 • Fax (800) 255-1031 • Specifications subject to change without notice.

