

## Countertop Receptacles

### 15A 125v Tamper-Resistant Pop-Up Counter Receptacle

# HUBBELL

#### Features

- Spill water tested
- Permanent installation ready (suitable for MC cable or non-metallic sheath cable)
- Push down to pop-up function is rated for a minimum of 10,000 cycles
- Easy installation - simply drop in and tighten

#### Ordering Information

Description	Finish	UPC Number	Catalog Number
15A 125V Tamper-Resistant Pop-Up Kitchen Counter Receptacle, Surface Mount	Brushed	883778307959	RCT200BR

#### Color/Material

Brass

#### Listings

UL and cULus listed to UL498, Section 146

#### Specifications

Cover and Flange	Die Cast Aluminum
Main Body	Engineered Thermoplastic PBT
Wiring Chamber	Die Cast Aluminum
Water Seals	Elastomers and Silicon

#### Performance

<b>Electrical</b>	
Configuration	15 amp 125 volt, Tamper-Resistant receptacle

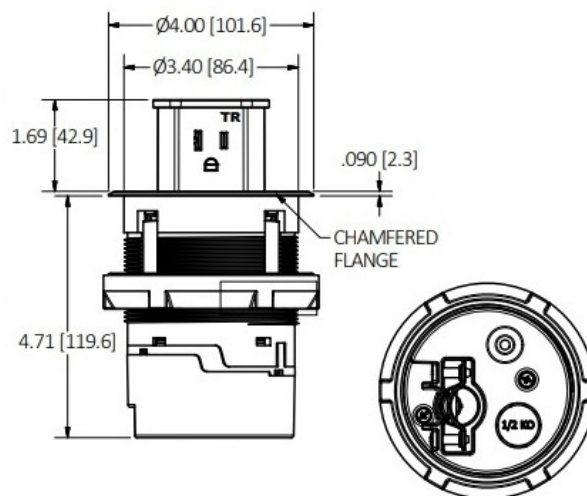
Circuit Rating	20 amp non-feed through
Dielectric Voltage	Withstands 2,000V minimum

#### Mechanical

Terminal Accommodation	#12 AWG copper stranded or solid conductor only
Terminal Identification	Terminals identified in accordance with UL 498 and CSA

#### Environmental

Flammability	UL 94V-2
Operating Temperature	Maximum continuous 75°C, minimum -40°C (w/o impact)



#### Online Resources

Customer Use Drawing  
eCatalog  
Installation Instructions

Dimensions in Inches (mm)

Hubbell Wiring Device-Kellems • Hubbell Incorporated (Delaware) • 40 Waterview Drive • Shelton, CT 06484

Phone (800) 288-6000 • Fax (800) 255-1031 • Specifications subject to change without notice.

