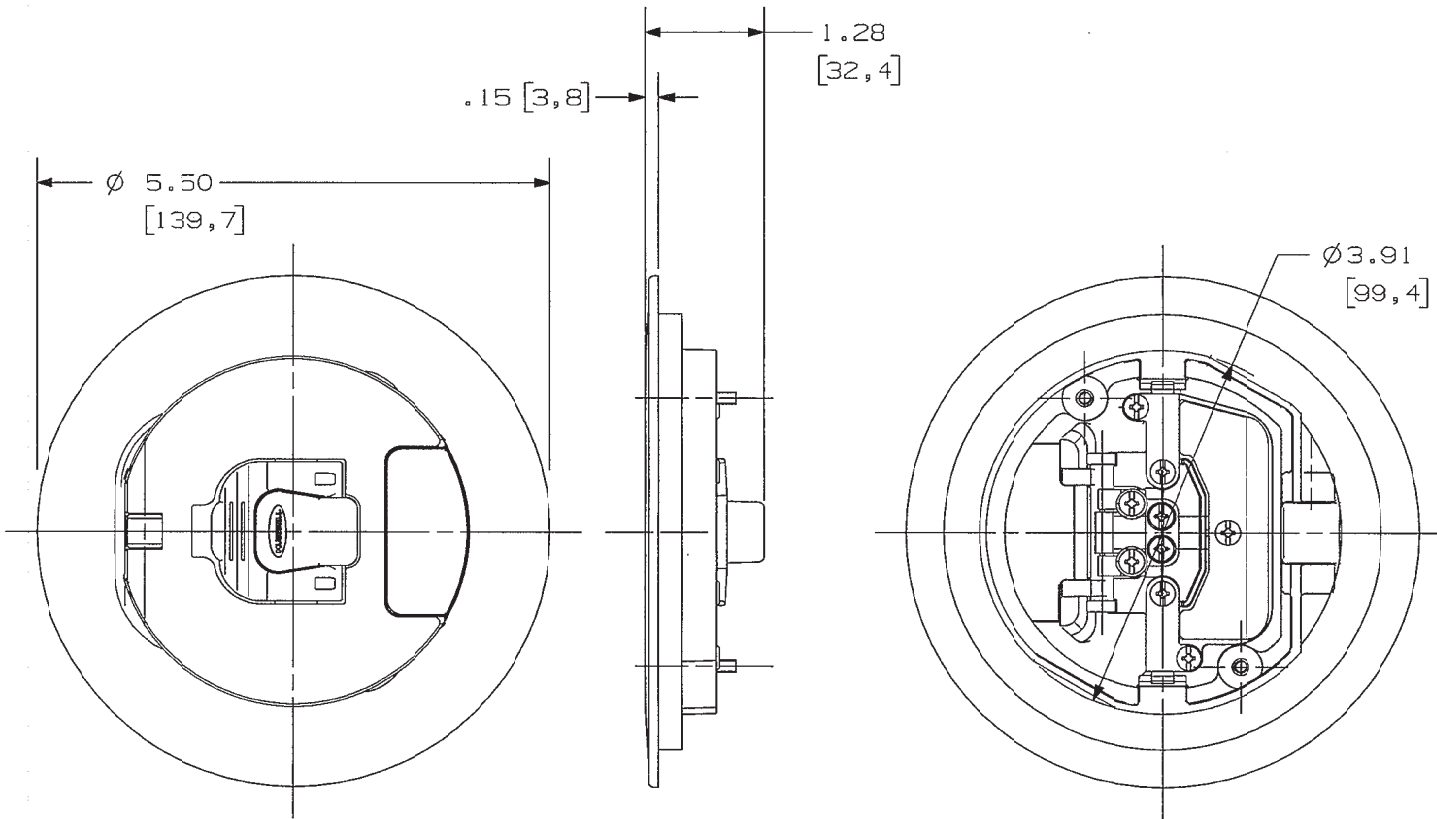


M-12337 1



CATALOG NUMBER	FINISH
S1R4CVRBLK	BLACK POWDER COAT
S1R4CVRGRY	GRAY POWDER COAT
S1R4CVRBRS	BRASS PLATED
S1R4CVRNKL	NICKEL PLATED
S1R4CVRBRZ	BRONZE PLATED
S1R4CVRALU	BRUSHED ALUMINUM

NOTES:

- 1) ALL DIMENSIONS ARE IN INCHES AND [MILLIMETERS].
- 2) SUPPLIED WITH (2) MOUNTING SCREWS.
- 3) COVER OPENS 180 DEGREES.

CODE 74545

LIST OF PARTS

DESCRIPTION	MATERIAL	FINISH
FLANGE RING	ALUMINUM	SEE TABLE
MAIN DOOR	ALUMINUM	SEE TABLE
ACCESS DOOR	ALUMINUM	SEE TABLE
HANDLE	ALUMINUM	SEE TABLE
HANDLE BEARING BLOCK	ALUMINUM	SEE TABLE
LINK	ALUMINUM	SEE TABLE
SLIDERS	ALUMINUM	SEE TABLE
DOOR GASKETS	FOAM GASKET	BLACK
MOUNTING SCREWS	STEEL	ZINC PLATE
PAN HD. SCREWS	STEEL	ZINC PLATE
FIRE BARRIER	FIRE BAR. MATL.	NATURAL
SPRINGS	STEEL	ZINC PLATE
DOWEL PINS	STEEL	ZINC PLATE
SLIDER RETAINERS	STEEL	ZINC PLATE
RATCHET PLATE	STEEL	ZINC PLATE
RETAINER PLATE	STEEL	ZINC PLATE
FIRE BARRIER COVER	STEEL	ZINC PLATE

1	RELEASED PER DCN19806	5/1/13
SYM	REVISIONS	APP DATE

THE DESIGN AND DIMENSIONS OF THE PRODUCT SHOWN ON THIS DRAWING ARE SUBJECT TO CHANGE WITHOUT NOTICE

TITLE COVER, FIRE RATED
POKE THROUGH,
4 INCH DIAMETER

TOLERANCES UNLESS OTHERWISE SPECIFIED	WIRING DEVICE-KELLEMS HUBBELL INCORPORATED SHELTON, CT	
.XX = ±.01	DR. BY SRE	APP. BY <i>[Signature]</i>
.XXX = ±.005	TR. BY	SCALE NONE
ANGLES = ±2°	CHK. BY <i>[Signature]</i>	DATE 9/11/12

DIMENSION SHEET FOR CAT. NO. M-12337
 REPAIRABLE NON-REPAIRABLE
 SEE TABLE
 B
 M-12337
 1