

# Fire-Rated Poke-Throughs

## SystemOne Recessed

### 4-Inch Diameter Core Hole

# HUBBELL

#### Features

- One 3/4" EMT for Power, Two 1/2" EMT for Low Voltage
- S1R4CVRBRS, Brass Plated Cover Included
- Sub-plate Ordered Separately
- Junction Box Included

#### Ordering Information

- Fire-Rated Poke-Through Fitting and Cover, Requires Assembly

<b>Catalog Number</b> S1R4PTBRS	<b>UPC Number</b> 783585446134	<b>Cover Series</b> S1R4CVR	<b>Core Hole Diameter</b> 4-Inch
------------------------------------	-----------------------------------	--------------------------------	-------------------------------------

<b>Minimum Deck Thickness</b> 2.25" Over Metal Deck	<b>Connection Type</b> Recessed
--	------------------------------------

#### Standards

cULus & ULC Listed  
UL scrub water compliant  
ADA Compliant

#### Specifications

Cover load rating	1000 lbs. static load through 3" diameter mandral
Access cover material	Die cast aluminum
Fire Rating	1 - 2 Hour Fire Rating

#### Required

Covers and Sub-Plates

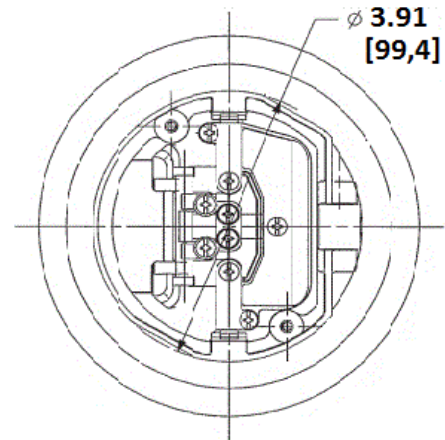
[Click here](#)

#### Accessories

20A USB receptacle with 2 USB charging ports	<b>USB20X2W</b>
20A Self-Test GFCI Receptacle	<b>GFRST20W</b>
20A Decorator Receptacle	<b>DR20WHI</b>
4" Pre-Pour Tube, removed need for core hold drilling	<b>S1R4PPT</b>

#### Online Resources

Customer Use Drawing  
eCatalog  
Installation Instructions



Dimensions in Inches (mm)

Hubbell Wiring Device-Kellems • Hubbell Incorporated (Delaware) • 40 Waterview Drive • Shelton, CT 06484

Phone (800) 288-6000 • Fax (800) 255-1031 • Specifications subject to change without notice.

