

## Straight Blade Devices

15 Amp, 125 Volt, 2-Pole, 3-Wire

# SNAPConnect<sup>®</sup> Extra Heavy Duty Receptacle

# HUBBELL

## Features

- Audible SNAP, indicates solid connection
- Reduces installation time
- Tamper-Resistant, Split Circuit
- Assembled in USA

## Ordering Information

| Description                     | Device Color | UPC Number   | Catalog Number      |
|---------------------------------|--------------|--------------|---------------------|
| Tamper-Resistant, Split Circuit | Gray         | 783585542942 | SNAP2152GYSCTR<br>A |



## Listings

UL Listed to UL498 File No. E2213  
Certified to CSA, C22.2, No. 42 File 312  
Fed. Spec. W-C-623  
NEMA<sup>®</sup> WD-6 Compliant

## Specifications

|                |       |
|----------------|-------|
| Face           | Nylon |
| Base           | Nylon |
| Line Contact   | Brass |
| Ground Contact | Brass |

## Performance

### Electrical

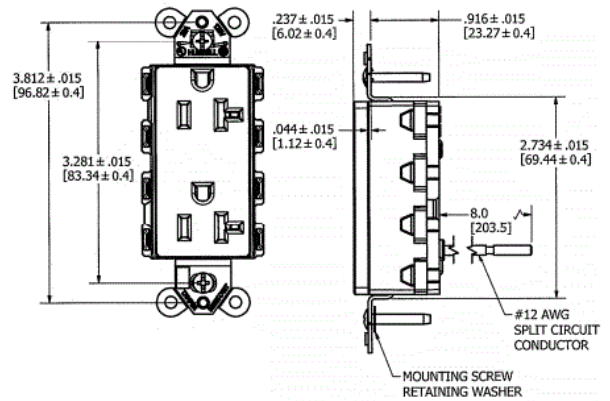
|                      |  |
|----------------------|--|
| Current Interrupting | Certified for current interrupting at full rated current |
| Dielectric Voltage   | Withstands 2,000V minimum                                |

### Mechanical

|                        |  |
|------------------------|--|
| Product Identification | Ratings are a permanent part of the device |
|------------------------|--|

### Environmental

|                       |   |
|-----------------------|---|
| Flammability          | UL 94V-2  |
| Operating Temperature | Maximum continuous 75°C; minimum -40°C (without impact) |



## Complementary Products

Wallplate or Weatherproof Cover  
Opening

## Online Resources

Customer Sales Drawing  
eCatalog  
Installation Instructions

Dimensions in Inches (mm)

Hubbell Wiring Device-Kellems • Hubbell Incorporated (Delaware) • 40 Waterview Drive • Shelton, CT 06484

Phone (800) 288-6000 • Fax (800) 255-1031 • Specifications subject to change without notice.

