

Straight Blade Devices

15 Amp, 125 Volt, 2-Pole, 3-Wire

SNAPConnect[®] Extra Heavy Duty Receptacle

HUBBELL

Features

- Audible SNAP, indicates solid connection
- Reduces installation time
- Tamper-Resistant, Split Circuit
- Assembled in USA

Ordering Information

Description	Device Color	UPC Number	Catalog Number
Tamper-Resistant, Split Circuit	Red	783585551623	SNAP2152RSCTRA



Listings

UL Listed to UL498 File No. E2230
Certified to CSA, C22.2, No. 42 File 329
Fed. Spec. W-C-640
NEMA[®] WD-6 Compliant

Specifications

Face	Nylon
Base	Nylon
Line Contact	Brass
Ground Contact	Brass

Performance

Electrical

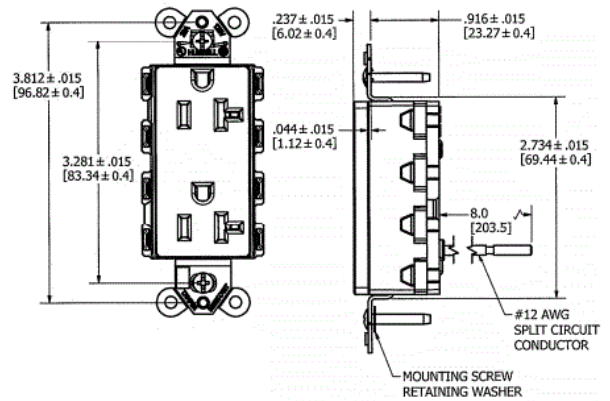
Current Interrupting	Certified for current interrupting at full rated current
Dielectric Voltage	Withstands 2,000V minimum

Mechanical

Product Identification	Ratings are a permanent part of the device
------------------------	--

Environmental

Flammability	UL 94V-2
Operating Temperature	Maximum continuous 75°C; minimum -40°C (without impact)



Complementary Products

Wallplate or Weatherproof Cover
Opening

Online Resources

eCatalog

Dimensions in Inches (mm)

Hubbell Wiring Device-Kellems • Hubbell Incorporated (Delaware) • 40 Waterview Drive • Shelton, CT 06484

Phone (800) 288-6000 • Fax (800) 255-1031 • Specifications subject to change without notice.

