

Straight Blade Devices

20 Amp, 125 Volt, 2-Pole, 3-Wire

SNAPConnect® Permanently Marked Receptacle

HUBBELL

Features

- Audible SNAP, indicates solid connection
- Reduces installation time
- Split Circuit, Fully Controlled
- Power symbol is clearly visible

Ordering Information

Description	Device Color	UPC Number	Catalog Number
Two Controlled Faces	White	78358555485	SNAP2162C2W

Listings

UL Listed to UL498 File No. E2262
Certified to CSA, C22.2, No. 42 File 361
Fed. Spec. W-C-672
NEMA® WD-6 Compliant

Specifications

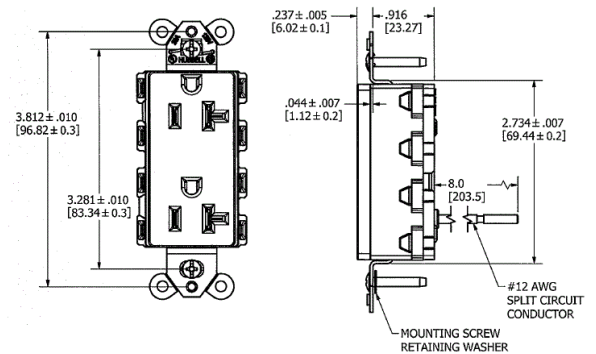
Face	Nylon
Base	Nylon
Line Contact	Brass
Ground Contact	Brass

Performance

Electrical	
Current Interrupting	Certified for current interrupting at full rated current
Dielectric Voltage	Withstands 2,000V minimum

Mechanical	
Product Identification	Ratings are a permanent part of the device

Environmental	
Flammability	UL 94V-2
Operating Temperature	Maximum continuous 75°C; minimum -40°C (without impact)



Complementary Products

Wallplate or Weatherproof Cover
Opening

Online Resources

eCatalog

Dimensions in Inches (mm)

Hubbell Wiring Device-Kellems • Hubbell Incorporated (Delaware) • 40 Waterview Drive • Shelton, CT 06484

Phone (800) 288-6000 • Fax (800) 255-1031 • Specifications subject to change without notice.

