

## Charging Solutions

### Powered Seating Boxes

# Single Unit Powered Seating Box with Mounting Bracket

## Features

- Rugged design features satin aluminum construction body with impact-resistant polycarbonate end caps
- Parallel module wiring keeps individual seating boxes from losing power up and downstream
- Fast charging speeds delivering up to 5 amps of charging power
- Smooth insertion tamper-resistant devices provide an extra level of safety to your customer
- Overcurrent protection - 12 amp string and 5 amp individual module protection

## Ordering Information

Description	Color	UPC Number	Catalog Number
Single Unit Powered Seating Box with Mounting Bracket	Satin Aluminum Body with Black Polycarbonate End Caps	783585548463	SP15USB1B

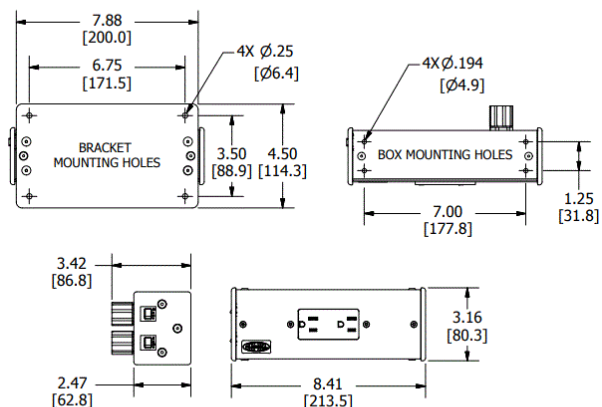
## Listings

UL, cULus Listed  
Meets construction and safety standards for UL962A Furniture Power Distribution Units Assembled in the USA

## Specifications

Housing	Aluminum
End Caps	Impact Resistant Polycarbonate
Cord Length	10 ft.
Connecting Cords	N/A
Device	USB Type A and Commercial Grade Tamper-Resistant Duplex Receptacle

# HUBBELL



## Online Resources

Customer Use Drawing  
eCatalog  
Installation Instructions

Dimensions in Inches (mm)

Hubbell Wiring Device-Kellems • Hubbell Incorporated (Delaware) • 40 Waterview Drive • Shelton, CT 06484

Phone (800) 288-6000 • Fax (800) 255-1031 • Specifications subject to change without notice.

