

SECTION R

Table of Contents



Powered Seating Boxes



Cabled Charging Stations



Power Charging Pedestals



Product	Page
Powered Seating Boxes	R-3
Cabled Charging Stations	R-5
Power Charging Pedestals	R-7
Hubbell Artwork Logo Guidelines	R-10

Product	Page
USB Charging Receptacles	
Type-C, Type A&C and Type A	R-8
SNAPConnect® USB Charger	R-9
4 Port and 2 Port, Switch Combo Outlets	R-9
2X2 USB Work Surface Pop-Up Boxes	R-9
PlugTrak® Raceway with USB Charger Outlets	R-9

Features and Benefits

Powered Seating Boxes

Hubbell's On-the-Go Powered Seating Boxes fulfill customers' need for power accessibility. As the use of electronic devices has increased, the demand for charging has followed. Powered Seating Boxes provide an easy means of charging user's devices while meeting custom space requirements. Seating boxes can easily be attached to waiting area seating arrangements, conference tables, lecture halls, anywhere convenient power is needed.

HUBBELL ON-the-GO CHARGING

Convenient Charging Stations



Housing Design

- Rugged design features satin aluminum construction body with impact-resistant polycarbonate end caps
- Make any furniture or seating area into a convenient charging station
- Available with up to 4 boxes per unit



Powered Seating Boxes

- Parallel module wiring keeping individual seating boxes from losing power up and downstream
- Push to reset circuit breaker—trip electronically and reset manually



Charging Power

- Fast charging speeds delivering up to 5 amps of charging power
- Green power LED provides visual indication of power to the devices



Installation

- Security Torx-screw minimizes the potential for customers to open or tamper with units
- Hardwired permanently connected power and interconnecting cords
- Available with heavy-gauge durable powder coated steel mounting bracket



USB ports

- Smooth insertion tamper-resistant devices provide an extra level of safety to your customers
- Overcurrent protection—12 amp string and 5 amp individual module protection



Configurations

- Powered seating boxes are available in convenient bracketed configurations that easily attach to any flat surface
- Unbracketed configurations are also available



SP15USB1

Powered Seating Boxes

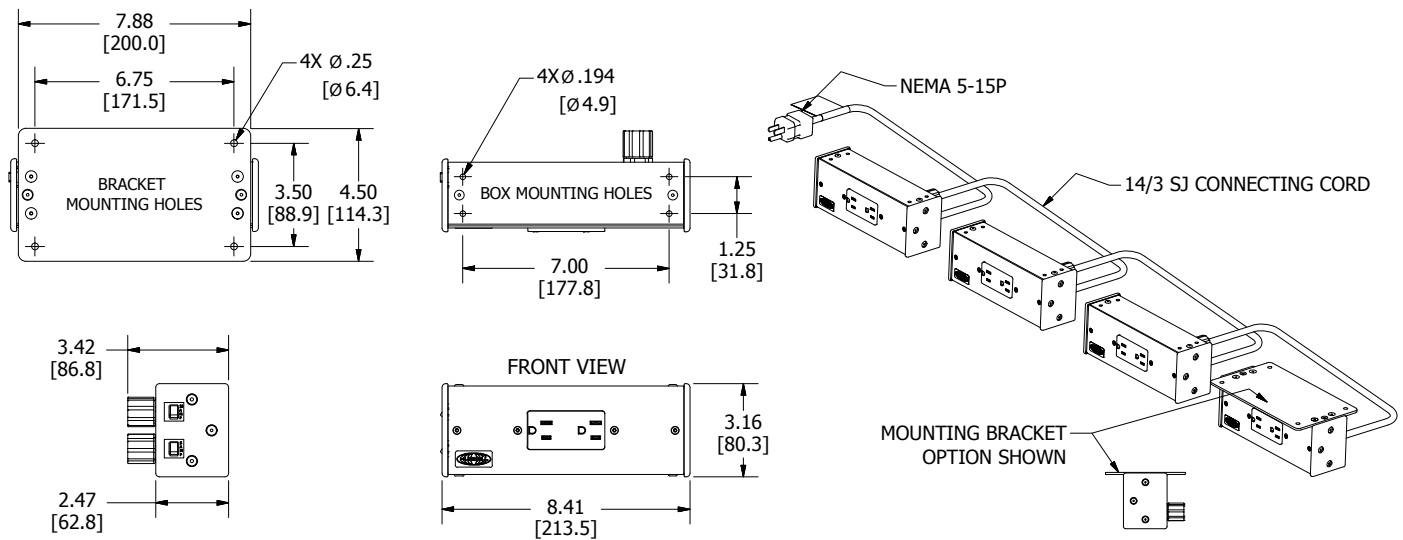
Description	Cord Length*	Boxes per Unit*	Without Mounting Bracket	With Mounting Bracket
Powered Seating Box with (2) USB Type A high power 5 Amp, 5 volt USB output and a Commercial Grade Tamper-Resistant duplex receptacle.	10 ft power and 5 ft connecting cords	1	SP15USB1	SP15USB1B
		2	SP15USB2	SP15USB2B
		3	SP15USB3	SP15USB3B
		4	SP15USB4	SP15USB4B

Note: *Special constructions are available with up to 7 boxes and up to 25 ft. of power cord. Contact you local Hubbell representative for more information.
Options for USB Type-C and Combination Type A & C configurations and hospital grade receptacles are also available

Specifications

- UL, cULus
- Meets construction and safety testing standards for UL962A Furniture Power Distribution Units
- Assembled in the USA

Dimensions Inches (mm)



Dimensions in Inches (mm)

Features and Benefits

Cabled Charging Stations

Hubbell's On-the-Go Cabled Charging Stations require minimal assembly and install easily. There are two styles available; a semi-permanent wall-mount unit or a relocatable floor stand.

The standard configuration includes (3) Apple® Lightning, (3) Micro USB and (2) USB Type-C cords, allowing for 8 devices to be charging at once. Each unit features an 18 inch wide by 1 inch deep device tray to accommodate a wide range of wireless devices.

Cabled Charging Stations can be ordered with the standard design (as shown below), blank, or with a custom logo or graphic. Custom artwork will be applied and shipped from the factory.

HUBBELL ON-the-GO CHARGING

Cabled Charging Stations



Housing Design

- Eight charging connectors provide flexibility to charge a variety of smart devices
- The 18 inch tray holds multiple devices at once



Power Stands

- Blank charging stations available



Charging Power

- Charge up to 8 devices simultaneously without slowing charging speeds, up to 2.4A per port
- Efficient charging technology with automatic authentication of nearly all mobile devices



Installation

- Each unit includes a 6 foot cord with a 15A 125V plug
- Ships as kit making for easy installation and assembly
- Floor stand unit is 4 feet tall and weighs approximately 30 pounds



Wall Mount

- Wall mount unit includes mounting bracket and hardware



Custom Branding

- Custom branding/graphics available
- Designed for indoor use

Apple® is a registered trademarks of Apple Inc.

Cabled Charging Stations

Description	Floor Stand Unit	Wall Mount Unit
Standard Cabled Charging Stations.	HCSFS	HCSWM
Blank Cabled Charging Stations.	HCSFSBLANK	HCSWMBLANK
Replacement floor stand with power supply.	HCSREPFKIT	—
Replacement wall mounting hardware kit.	—	HCSWMREPWMKIT
Replacement USB cord sets (Floor and Wall Units).	HCSUSBREPCORDSET	

Specifications

- UL, cUL, FCC, CE, RoHS, MFi Certified

Custom Branding

Custom branding or graphic artwork can be added to both the wall mount and floor stands with three templates to choose from (Template A, B or C as shown below). Contact your local Hubbell Territory Manager to special order a custom charging station. **See Guidelines on page R-10.**

Description	Floor Stand Unit	Wall Mount Unit
Custom Branded Charging Station.	HCSFSLOGOxxxx	HCSFSLOGOxxxx
Custom Artwork Specification.	Maximum print area: 10" W x 6" H Preferred file formats: Adobe Illustrator, Vector File, Encapsulated Postscript and Layered PDF.	

Note: No Minimum Order Quantity for special order units.



Template A

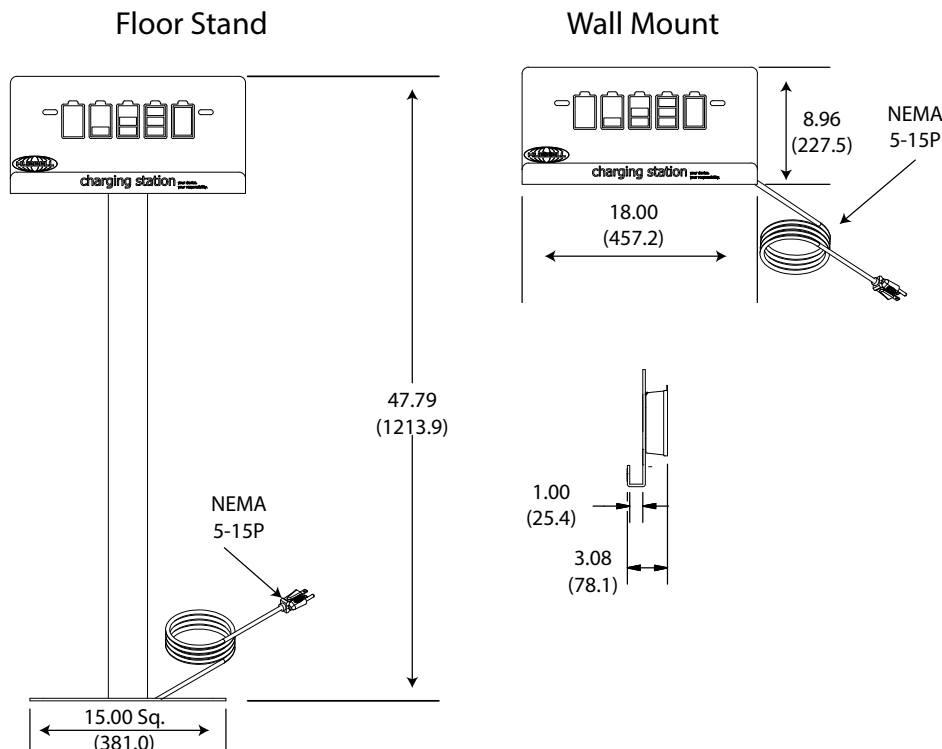


Template B



Template C

Dimensions Inches (mm)



Dimensions in Inches (mm)



HCSFS



HCSWMBLANK



HCSFSBLANK



HCSREPFKIT

Features and Benefits

Power Charging Pedestals

Hubbell's On-the-Go Power Charging pedestals ships ready to install with four 20A 125V tamper-resistant USB Type A and Type C combination duplex receptacles, with a 3/4 inch NPT hub in the base and 36 inch long wire leads the assembly will accommodate all installations when fed from the floor below. The pedestal can also be mounted and wired over one of Hubbell's flush round floor boxes or single gang rectangular floor boxes.

Our 2 inch by 8 inch wing-shaped aluminum extrusion has a sturdy 1/4 inch thick aluminum base plate with four pre-drilled counter sunk holes for mounting. Because of its shallow design, the pedestals can be mounted between most back-to-back transportation seating arrangements.

HUBBELL ON-the-GO CHARGING

Power Charging Pedestals



(Front View)



(Side View)



Housing Design

- Durable powder coated aluminum extrusion offers a permanent solution for high traffic areas
- Ships ready to install



Power Stands

- Back to back 39.79 inch and 34.29 inch receptacle heights will clear backs of transportation seating chairs



Charging Power

- Duplex receptacles include Hubbell's patented tamper-resistant technology allowing the plug to slide in effortlessly
- Combination Type A and Type-C USB configuration meets most charging needs



Installation

- Integral 3/4 inch conduit hub in base
- Single circuit pre-wired assembly with 36 inch long #12 AWG wire leads
- Sleek 2 inch by 8 inch powder coated aluminum extrusion design at 52.40 inches tall



USB Ports

- Heavy-duty stainless steel USB ports are rated for 10,000 cord insertions and removals



Custom Branding

- Custom branding/graphics available for light kit
- Available with energy efficient LED light kit to add visibility
- Indoor use only

Power Charging Pedestals

Description	Color	Catalog Number
Hubbell Charging Power Stand, 52.40 inches tall.	Gray	HCPWRPED52GRY
Hubbell Charging Power Stands, 52.40 inches tall, Light Kit.	Gray	HCPWRPED52LKGRY

Custom Branding

At the factory, custom branding/graphic artwork can be added to the Power Charging Pedestals with light kits. Contact your local Hubbell Territory Manager to special order a custom pedestal. **See Guidelines on page R-10.**

Description	Color	Catalog Number
Hubbell Charging Power Stands, 52.40 inches tall, Light Kit with Custom Branding.	Gray	HCPWRPED52LKGRYxxx
Custom Artwork Specification.	Maximum print area: 6.75" W x 9.13" H Preferred file formats: Adobe Illustrator, Vector File, Encapsulated Postscript and Layered PDF	

Note: No Minimum Order Quantity for special order units.



HCPWRPED52GRY



HCPWRPED52LKGRY



HCPWRPED52LKGRY
Standard Light Kit



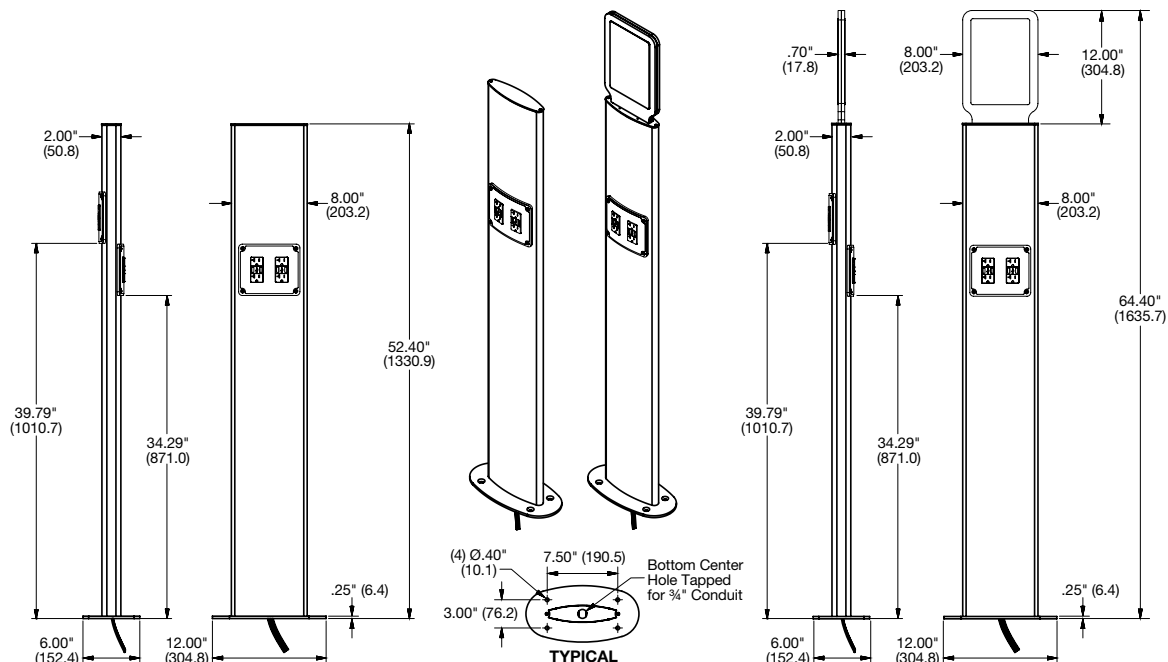
HCPWRPED52LKGRYxxx
- Example-
Custom Light Kit Graphics



Specifications

- UL/cUL 1773 Listed

Dimensions Inches (mm)



Dimensions in Inches (mm)

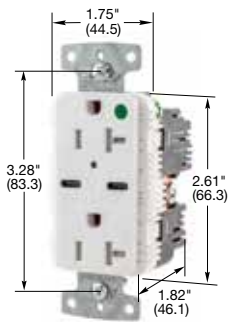
Features and Benefits

USB Charging Receptacles Type-C • Type A&C • Type A

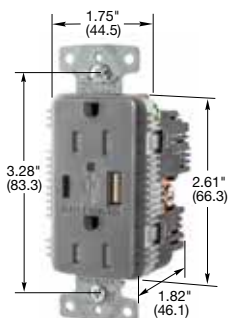
Hubbell USB Chargers are available in the new Type-C port, a combination unit with Type A & C, and the legacy Type A, all with more power. The increase in power to a 5 Amp 5 Volt USB port adds capacity so that there is always ample current to support multiple device charging. Portable mobile manufacturers are using the faster Type-C ports. More phones, tablets and other electronic devices are expected to use this new standard.

Features

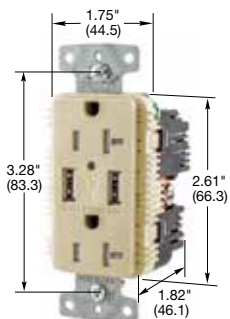
- Compliant with USB BC1.2 battery charging and 3.0 power delivery. Compatible with USB 2.0, 3.0 and 3.1 devices
- USB Type-C port is legacy USB Type A compatible (adapter cord - not included)
- Heavy duty stainless steel USB ports; rated for 10,000 cord insertions and removals
- Patented Hubbell Tamper-Resistant technology uses cam action shutters
- Designed for commercial, industrial and home use



USB8300C5W



USB15AC5GY



USB20A5I

Dimensions in Inches (mm)

USB Charging Receptacles Type-C, Type A&C and Type A



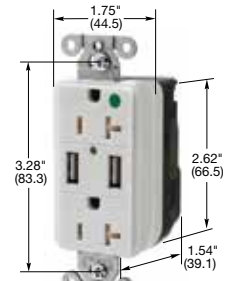
Description	Color	Catalog Number	
Hospital Grade USB Charger Outlet, two Type-C port configurations, high power 5 Amp, 5 Volt USB output, Tamper-Resistant duplex receptacle, USB ports rated 10,000 cycles.	Black	USB8200C5BK	USB8300C5BK
	Brown	USB8200C5	USB8300C5
	Gray	USB8200C5GY	USB8300C5GY
	Ivory	USB8200C5I	USB8300C5I
	Light Almond	USB8200C5LA	USB8300C5LA
	Red	USB8200C5R	USB8300C5R
	White	USB8200C5W	USB8300C5W
Hospital Grade USB Charger Outlet, one Type A and one Type-C port configurations, high power 5 Amp, 5 Volt USB output, Tamper-Resistant duplex receptacle, USB ports rated 10,000 cycles.	Black	USB8200AC5BK	USB8300AC5BK
	Brown	USB8200AC5	USB8300AC5
	Gray	USB8200AC5GY	USB8300AC5GY
	Ivory	USB8200AC5I	USB8300AC5I
	Light Almond	USB8200AC5LA	USB8300AC5LA
	Red	USB8200AC5R	USB8300AC5R
	White	USB8200AC5W	USB8300AC5W
Hospital Grade USB Charger Outlet, two Type A port configurations, high power 5 Amp, 5 Volt USB output, Tamper-Resistant duplex receptacle, USB ports rated 10,000 cycles.	Black	USB8200A5BK	USB8300A5BK
	Brown	USB8200A5	USB8300A5
	Gray	USB8200A5GY	USB8300A5GY
	Ivory	USB8200A5I	USB8300A5I
	Light Almond	USB8200A5LA	USB8300A5LA
	Red	USB8200A5R	USB8300A5R
	White	USB8200A5W	USB8300A5W
Commercial Grade USB Charger Outlet, two Type-C port configurations, high power 5 Amp, 5 Volt USB output, Tamper-Resistant duplex receptacle, USB ports rated 10,000 cycles.	Black	USB15C5BK	USB20C5BK
	Brown	USB15C5	USB20C5
	Gray	USB15C5GY	USB20C5GY
	Ivory	USB15C5I	USB20C5I
	Light Almond	USB15C5LA	USB20C5LA
	White	USB15C5W	USB20C5W
Commercial Grade USB Charger Outlet, one Type A and one Type-C port configurations, high power 5 Amp, 5 Volt USB output, Tamper-Resistant duplex receptacle, USB ports rated 10,000 cycles.	Black	USB15AC5BK	USB20AC5BK
	Brown	USB15AC5	USB20AC5
	Gray	USB15AC5GY	USB20AC5GY
	Ivory	USB15AC5I	USB20AC5I
	Light Almond	USB15AC5LA	USB20AC5LA
	White	USB15AC5W	USB20AC5W
Commercial Grade USB Charger Outlet, two Type A port configurations, high power 5 Amp, 5 Volt USB output, Tamper-Resistant duplex receptacle, USB ports rated 10,000 cycles.	Black	USB15A5BK	USB20A5BK
	Brown	USB15A5	USB20A5
	Gray	USB15A5GY	USB20A5GY
	Ivory	USB15A5I	USB20A5I
	Light Almond	USB15A5LA	USB20A5LA
	White	USB15A5W	USB20A5W

Note: See page Tech-10 for Tamper-Resistant description. See section N for wallplates.

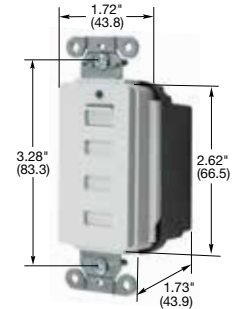
SNAPConnect® USB Charger Duplex Receptacles



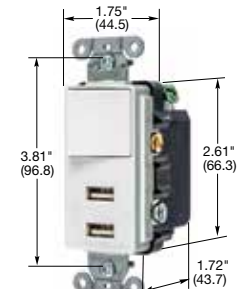
Description	Color	15A 125V AC	20A 125V AC
Hospital Grade SNAPConnect® USB Charger Tamper-Resistant Receptacle, two USB type 2.0 ports, 3.0 Amp, 5 Volt DC, 15 or 20 Amp, 125 Volt AC, Style Line® decorator duplex.	Black	SNAP8200USBBK	SNAP8300USBBK
	Brown	SNAP8200USB	SNAP8300USB
	Gray	SNAP8200USBGY	SNAP8300USBGY
	Ivory	SNAP8200USBI	SNAP8300USBI
	Light Almond	SNAP8200USBLA	SNAP8300USBLA
	Red	SNAP8200USBR	SNAP8300USBR
SNAPConnect® USB Charger Tamper-Resistant Receptacle, two USB type 2.0 ports, 3.0 Amp, 5 Volt DC, 15 or 20 Amp, 125 Volt AC, Style Line® decorator duplex.	Black	SNAP15USBBK	SNAP20USBBK
	Brown	SNAP15USB	SNAP20USB
	Gray	SNAP15USBGY	SNAP20USBGY
	Ivory	SNAP15USBI	SNAP20USBI
	Light Almond	SNAP15USBLA	SNAP20USBLA
	White	SNAP15USBW	SNAP20USBW
Clear right angle terminal with 6 inch leads #12 AWG THHN/THWN-2; Polycarbonate housing material.	Solid	SNAP1RA	SNAP1RA
	Stranded	SNAP2RA	SNAP2RA



SNAP8300USBW



USB4W



USB102W

USB Charger 2 and 4 Port Outlets



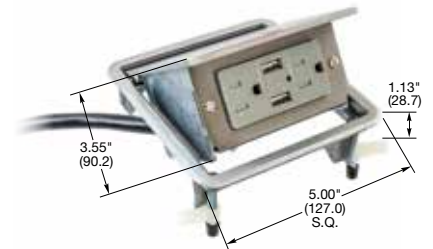
Description	Color	2 Port Outlet, 3 Amp, Shallow Profile	4 Port Outlet, 5 Amp
USB Charger Outlet, USB type 2.0 ports, 5 Volt DC decorator.	Black	USB2BK	USB4BK
	Brown	USB2	USB4
	Gray	USB2GY	USB4GY
	Ivory	USB2I	USB4I
	Light Almond	USB2LA	USB4LA
	White	USB2W	USB4W

Switch Combo Outlets

Description	Color	Catalog Number
Switch Combo Outlet, two USB type 2.0 ports, 2.1 Amp, 5 Volt DC, Style Line® decorator.	Black	USB102BK
	Brown	USB102
	Gray	USB102GY
	Ivory	USB102I
	Light Almond	USB102LA
	White	USB102W

2X2 USB Work Surface Pop-Up Boxes

Surface Dimensions	Cut Out Dimensions	Product Depth	Maximum Surface Thickness	Finish	Catalog Number
5" x 5"	4.62" x 4.62"	3.55"	1.125"	Brushed Aluminum	WSBUSB2X2ALU
5" x 5"	4.62" x 4.62"	3.55"	1.125"	Black Powder Coat	WSBUSB2X2BLK



WSBUSB2X2USBALU

PlugTrak® Raceway with USB Charger Outlets

USB type 2.0 ports, 2.4 Amp, 5 Volt DC, 15 Amp, 125 Volt AC receptacles.

Material	Length	Ends	# of USB Ports	# of Single Receptacles	Color	Catalog Number
Steel	3 ft.	6 in. leads	2	2	Ivory	HBL20GB312UIV
Steel	6 ft.	6 in. leads	4	4	Ivory	HBL20GB612UIV
Aluminium	3 ft.	6 in. leads	2	2	Aluminum	HBLALU20GB312U
Aluminium	6 ft.	6 in. leads	4	4	Aluminum	HBLALU20GB612U
Non-metallic	6 ft.	6 in. leads	4	8	Office White	PT156112U*
Portable - Plug in						
Steel	40 in.	6 ft. cord and plug	2	4	Ivory	HBL20C215UIV
Non-metallic	36 in.	6 ft. cord and plug	2	4	Office White	PT153112UP*



HBL20GB312UIV

HBLALU20GB612U

PT153112UP

Note: *For additional colors add "BK" for Black or "W" for white.

Dimensions in Inches (mm)



ON-the-GO CHARGING Artwork/Logo Guidelines

File Formats | Options

- Most Preferred
- Least Preferred

Note: *To achieve the most accurate colors please provide Pantone PMS Color information (when possible). All files should be sent in CMYK color mode if possible.

- 1 AI (Adobe Illustrator):** These files are built in "layers" which makes it efficient to edit or manipulate them if necessary if changes/adjustments need to be made prior to submitting for production.
- 2 SVG (Vector File):** These files are pure vector format and are typically more than sufficient for producing production ready artwork.
- 3 EPS (Encapsulated Postscript):** These are self contained image files that usually contain everything we will need to prepare and produce production ready artwork, if generated from layered files.
- 4 Layered PDF (Portable Document Format):** Most PDFs are compatible with Illustrator and if layers are preserved we can prepare and produce production ready artwork.

The file formats below may not be sufficient for production ready artwork.

- 5 PSD (Adobe Photoshop):** If built and saved the correct way can usually be used to prepare and produce production ready artwork.
- 6 PNG (Portable Network Graphic):** These files contain only foreground images and will have a blank or no background, making them easy to place on any color or type of background. These file types may be sufficient for production ready artwork if the file is HD resolution, i.e. 1920 x 1080 or better.
- 7 JPG:** The least compatible file to use with design and therefore should be considered a "last resort." If supplying a logo pulled off the Internet or saved down from a larger layered file, it more than likely will not be sufficient to prepare and produce production ready artwork.

Process for Custom ON-the-GO Charging.

- Email custom artwork to Hubbell Territory Manager* with the following information:
 - * If you don't know your local Territory Manager call Hubbell Customer Service at (800) 288-6000.
 - A. Art must conform to one of the 7 formats
 - B. Type of unit; power charging pedestal, wall mount or floor stand
 - C. Quantity of order
 - D. Name or title for artwork
- Proof will be generated based on product type and artwork submitted and emailed to customer for approval.
- Upon Approval, submit signed approval form and PO to Hubbell TM for order processing.