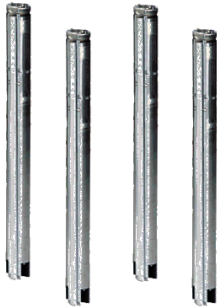


|                       |                        |                 |
|-----------------------|------------------------|-----------------|
| PROJECT: _____        | UNIT TAG: _____        | QUANTITY: _____ |
| REPRESENTATIVE: _____ | TYPE OF SERVICE: _____ | DATE: _____     |
| ENGINEER: _____       | SUBMITTED BY: _____    | DATE: _____     |
| CONTRACTOR: _____     | APPROVED BY: _____     | DATE: _____     |
|                       | ORDER NO.: _____       | DATE: _____     |

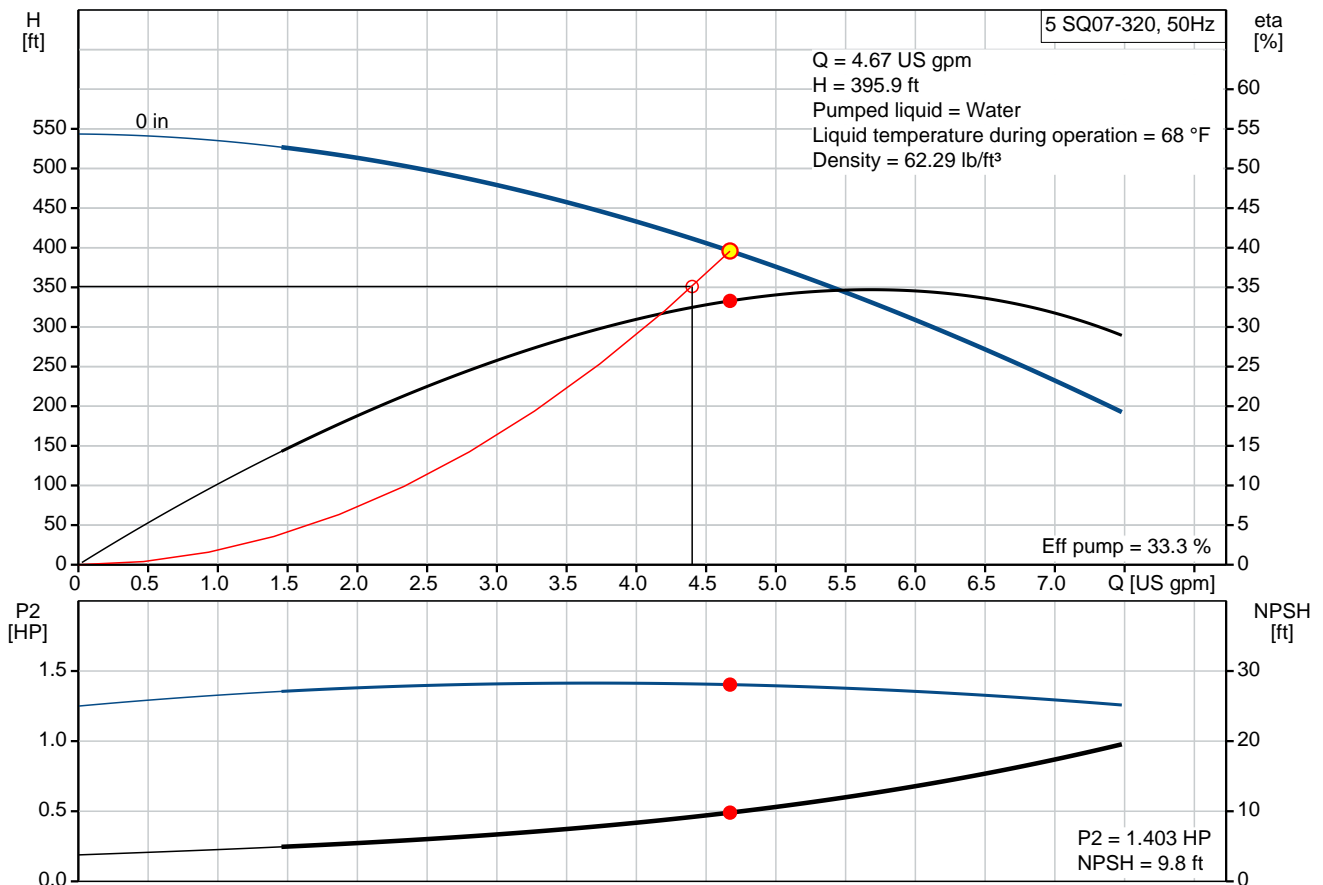


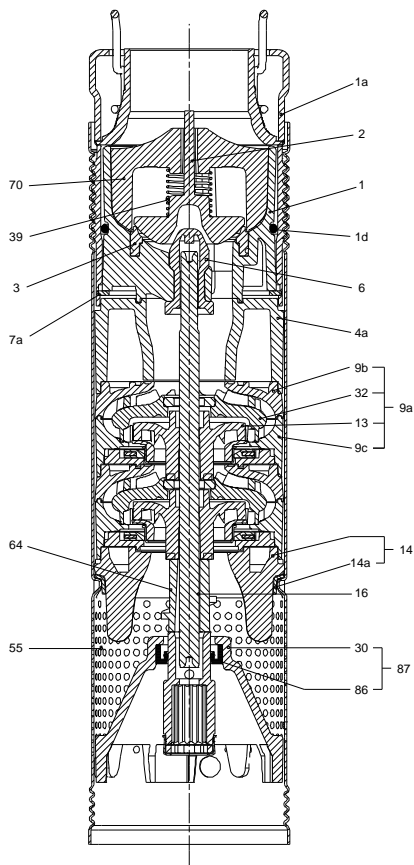
### 5 SQ07-320

Submersible pumps

Product photo could vary from the actual product

| Conditions of Service |             | Pump Data        |          | Motor Data          |           |
|-----------------------|-------------|------------------|----------|---------------------|-----------|
| Flow:                 | 4.67 US gpm | Approvals:       | UL, cUL  | Rated voltage:      | 200-240 V |
| Head:                 | 395.9 ft    | Approvals motor: | UL,CUL   | Main frequency:     | 50 Hz     |
| Efficiency:           | _____       | Product number:  | 96160135 | Enclosure class:    | IP68      |
| Liquid:               | Water       |                  |          | Insulation class:   | F         |
| Temperature:          | 68 °F       |                  |          | Motor protection:   | Y         |
| NPSH required:        | 9.8 ft      |                  |          | Thermal protection: | internal  |
| Viscosity:            | _____       |                  |          | Motor type:         | MS3       |
| Specific Gravity:     | 1.000       |                  |          |                     |           |



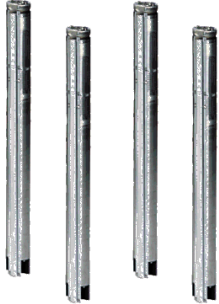


**Materials:**

Pump: Polyethylene / Stainless steel  
DIN W.-Nr. 1.4301

Motor: Stainless steel  
1.4301 EN  
AISI 304

## Tender Text



Product photo could vary from the actual product

Product No.: [96160135](#)

### 5 SQ07-320

3" multi-stage, submersible pump designed for domestic water supply, liquid transfer in tanks, irrigation and environmental applications. The pump has "floating" impellers, each with its own tungsten carbide/ceramic bearing.

The pump features soft starting and protection against dry-running, upthrust, overvoltage, undervoltage, overload and overtemperature.

The motor is a one-phase motor of the permanent magnet rotor type ensuring optimum efficiency within a wide load range.

The motor is fitted with a replaceable cable plug.

### Liquid:

Pumped liquid: Water  
Maximum liquid temperature: 95 °F  
Max liquid temperature at 0.15 m/sec: 95 °F  
Liquid temperature during operation: 68 °F  
Density: 62.29 lb/ft<sup>3</sup>

### Technical:

Speed for pump data: 10700 rpm  
Actual calculated flow: 4.67 US gpm  
Resulting head of the pump: 395.9 ft  
Approvals on nameplate: UL, cUL  
Approvals on motor nameplate: UL,CUL  
Curve tolerance: ISO9906:2012 3B

### Materials:

Pump: Polyethylene / Stainless steel  
DIN W.-Nr. 1.4301  
Motor: Stainless steel  
1.4301 EN  
AISI 304

### Installation:

Pump outlet: NPT 1  
Minimum borehole diameter: 2.99 in

### Electrical data:

Motor type: MS3



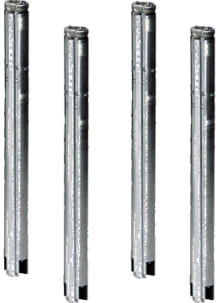
**Company name:**

**Created by:**

**Phone:**

**Date:** 2/22/2018

Power input - P1: 1.65 kW  
Rated power - P2: 1.542 HP  
Main frequency: 50 Hz  
Rated voltage: 1 x 200-240 V  
Rated current: 8.4 A  
Power factor: 1,00  
Rated speed: 10700 rpm  
Start. method: direct-on-line  
Enclosure class (IEC 34-5): IP68  
Insulation class (IEC 85): F  
Length of cable: 4.922 ft

| Position | Count | Description  |
|----------|-------|--|
|          | 1     | <p><b>5 SQ07-320</b></p>  <p style="text-align: center;">Product photo could vary from the actual product</p> <p>Product No.: <a href="#">96160135</a><br/>           3" multi-stage, submersible pump designed for domestic water supply, liquid transfer in tanks, irrigation and environmental applications. The pump has "floating" impellers, each with its own tungsten carbide/ceramic bearing.</p> <p>The pump features soft starting and protection against dry-running, upthrust, overvoltage, undervoltage, overload and overtemperature.</p> <p>The motor is a one-phase motor of the permanent magnet rotor type ensuring optimum efficiency within a wide load range.<br/>           The motor is fitted with a replaceable cable plug.</p> <p><b>Liquid:</b><br/>           Pumped liquid: Water<br/>           Maximum liquid temperature: 95 °F<br/>           Max liquid temperature at 0.15 m/sec: 95 °F<br/>           Liquid temperature during operation: 68 °F<br/>           Density: 62.29 lb/ft<sup>3</sup></p> <p><b>Technical:</b><br/>           Speed for pump data: 10700 rpm<br/>           Actual calculated flow: 4.67 US gpm<br/>           Resulting head of the pump: 395.9 ft<br/>           Approvals on nameplate: UL, cUL<br/>           Approvals on motor nameplate: UL, CUL<br/>           Curve tolerance: ISO9906:2012 3B</p> <p><b>Materials:</b><br/>           Pump: Polyethylene / Stainless steel<br/>                     DIN W.-Nr. 1.4301<br/>           Motor: Stainless steel<br/>                     1.4301 EN<br/>                     AISI 304</p> <p><b>Installation:</b><br/>           Pump outlet: NPT 1<br/>           Minimum borehole diameter: 2.99 in</p> <p><b>Electrical data:</b><br/>           Motor type: MS3<br/>           Power input - P1: 1.65 kW<br/>           Rated power - P2: 1.542 HP</p> |



Company name:

Created by:

Phone:

Date:

2/22/2018

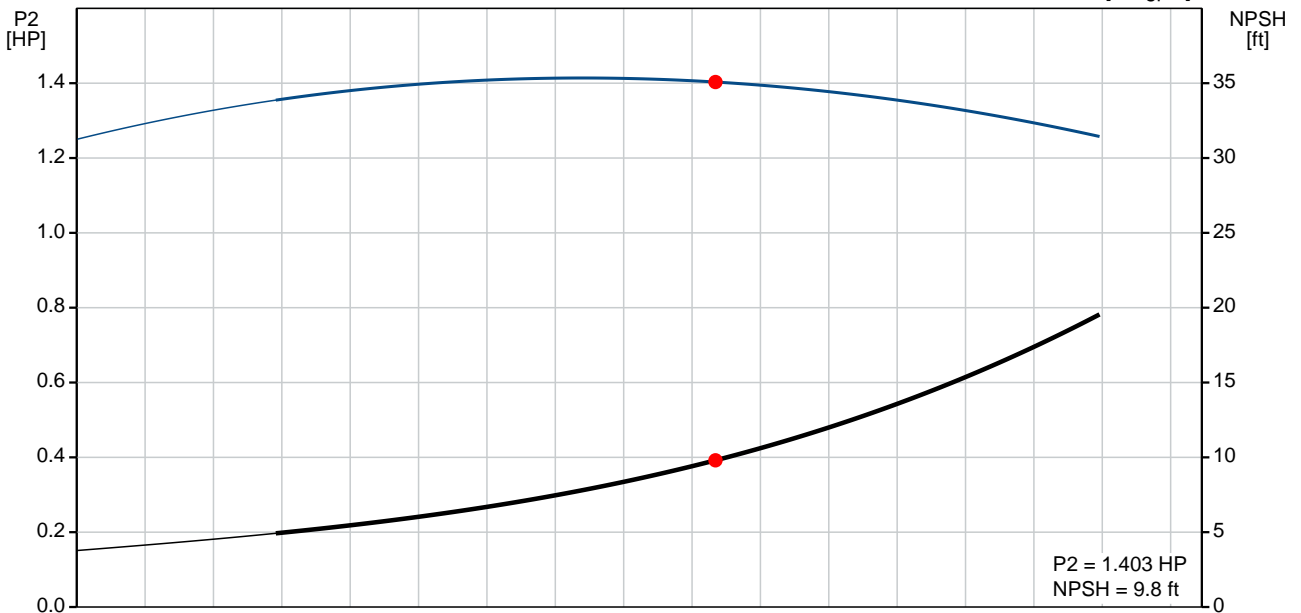
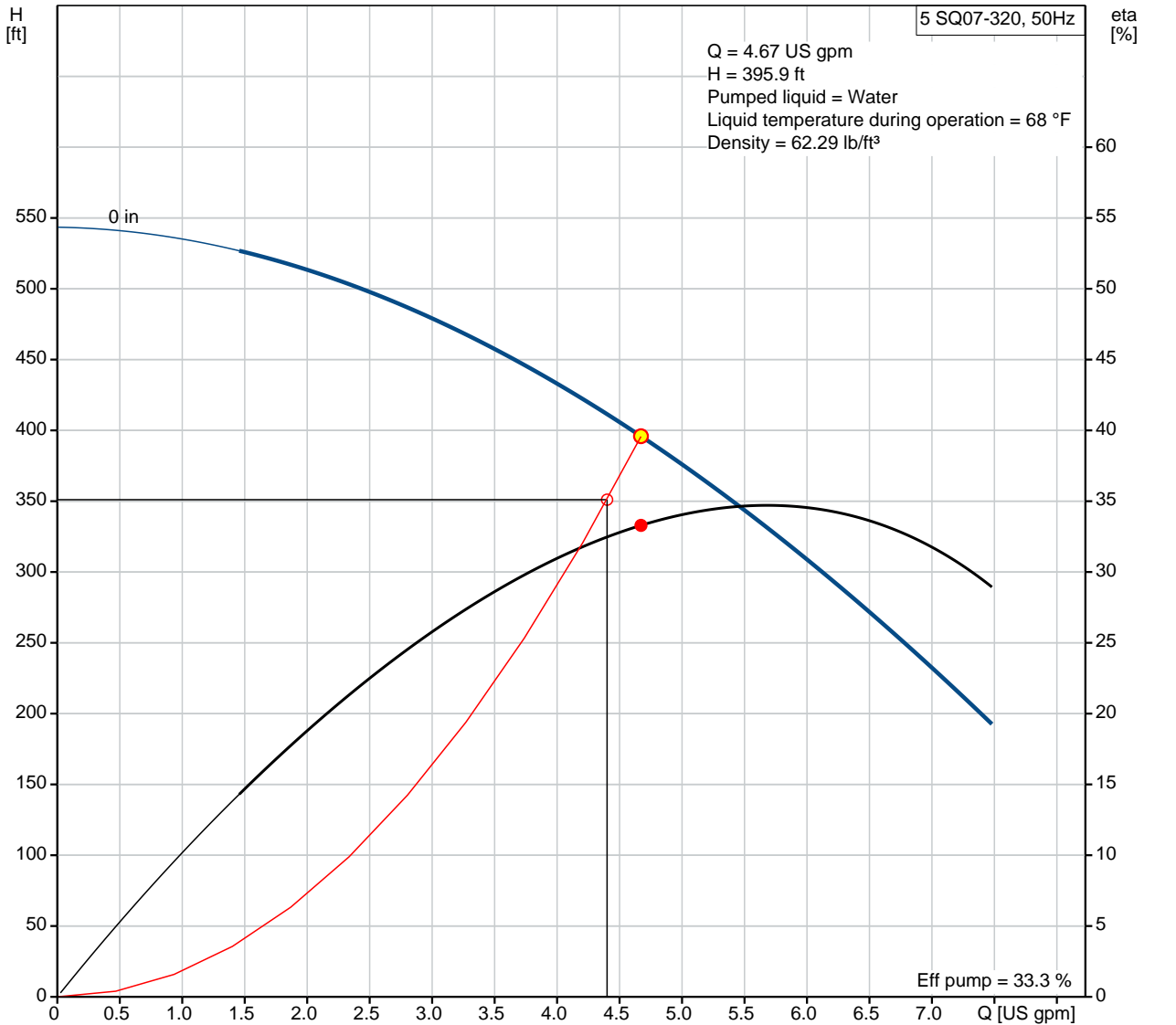
| Position | Count | Description  |
|----------|-------|--|
|          |       | <p>Main frequency: 50 Hz<br/>Rated voltage: 1 x 200-240 V<br/>Rated current: 8.4 A<br/>Power factor: 1,00<br/>Rated speed: 10700 rpm<br/>Start. method: direct-on-line<br/>Enclosure class (IEC 34-5): IP68<br/>Insulation class (IEC 85): F<br/>Length of cable: 4.922 ft</p> |



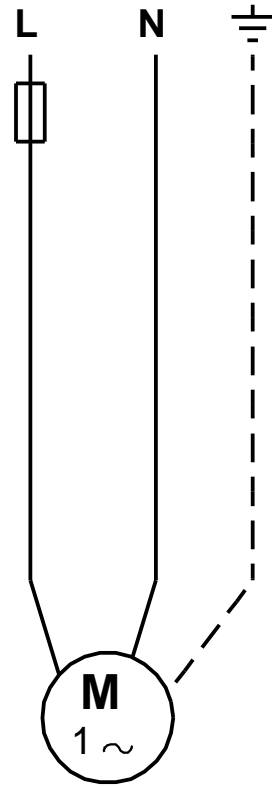
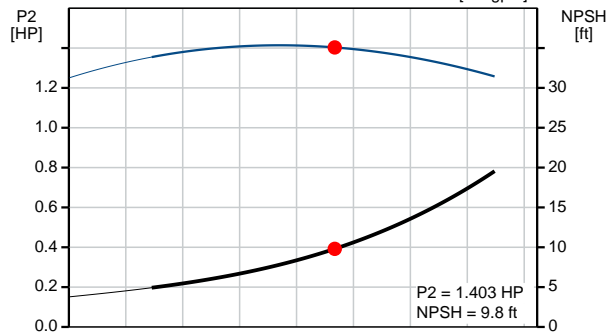
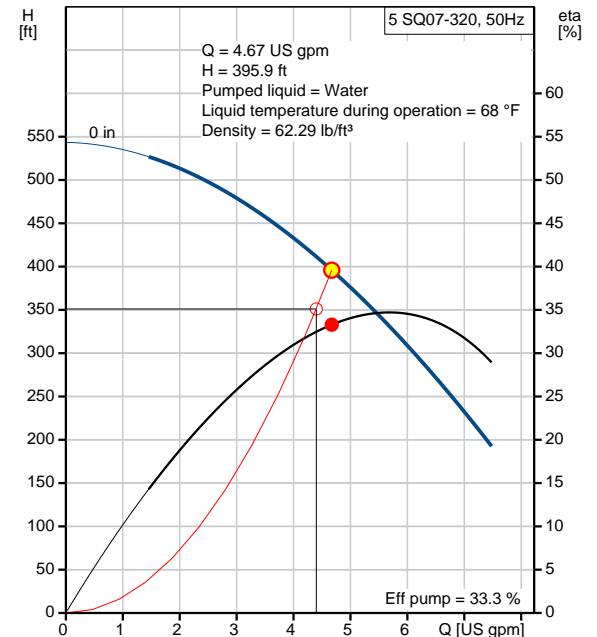
Company name:  
Created by:  
Phone:

Date: 2/22/2018

### 96160135 5 SQ07-320 50 Hz

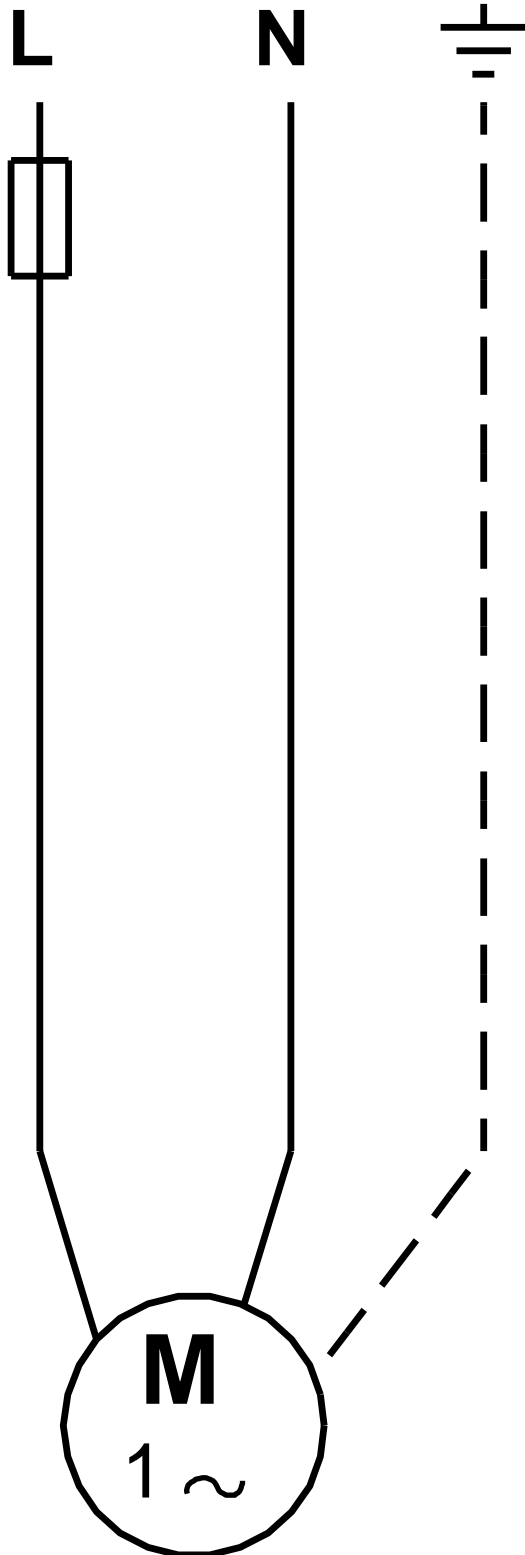


| Description                           | Value                               |
|---------------------------------------|-------------------------------------|
| <b>General information:</b>           |                                     |
| Product name:                         | 5 SQ07-320                          |
| Product No.:                          | 96160135                            |
| EAN:                                  | 5700398693932                       |
| <b>Technical:</b>                     |                                     |
| Speed for pump data:                  | 10700 rpm                           |
| Actual calculated flow:               | 4.67 US gpm                         |
| Resulting head of the pump:           | 395.9 ft                            |
| Stages:                               | 7                                   |
| Approvals on nameplate:               | UL, cUL                             |
| Approvals on motor nameplate:         | UL,CUL                              |
| Curve tolerance:                      | ISO9906:2012 3B                     |
| Pump Number:                          | 96397365                            |
| Model:                                | B                                   |
| Valve:                                | pump with built-in non-return valve |
| <b>Materials:</b>                     |                                     |
| Pump:                                 | Polyethylene / Stainless steel      |
|                                       | DIN W.-Nr. 1.4301                   |
| Motor:                                | Stainless steel                     |
|                                       | 1.4301 EN                           |
|                                       | AISI 304                            |
| <b>Installation:</b>                  |                                     |
| Pump outlet:                          | NPT 1                               |
| Minimum borehole diameter:            | 2.99 in                             |
| <b>Liquid:</b>                        |                                     |
| Pumped liquid:                        | Water                               |
| Maximum liquid temperature:           | 95 °F                               |
| Max liquid temperature at 0.15 m/sec: | 95 °F                               |
| Liquid temperature during operation:  | 68 °F                               |
| Density:                              | 62.29 lb/ft³                        |
| <b>Electrical data:</b>               |                                     |
| Motor type:                           | MS3                                 |
| Power input - P1:                     | 1.65 kW                             |
| Rated power - P2:                     | 1.542 HP                            |
| Main frequency:                       | 50 Hz                               |
| Rated voltage:                        | 1 x 200-240 V                       |
| Rated current:                        | 8.4 A                               |
| Power factor:                         | 1,00                                |
| Rated speed:                          | 10700 rpm                           |
| Start. method:                        | direct-on-line                      |
| Enclosure class (IEC 34-5):           | IP68                                |
| Insulation class (IEC 85):            | F                                   |
| Motor protection:                     | Y                                   |
| Thermal protec:                       | internal                            |
| Length of cable:                      | 4.922 ft                            |
| Motor Number:                         | 96160536                            |
| <b>Controls:</b>                      |                                     |
| CU 300/CU 301:                        | no communication possible           |
| <b>Others:</b>                        |                                     |
| Sales region:                         | Namreg                              |





96160135 5 SQ07-320 50 Hz



All units are [mm] unless otherwise presented.



Company name:

Created by:

Phone:

Date:

2/22/2018

---

**Order Data:**

Product name: 5 SQ07-320

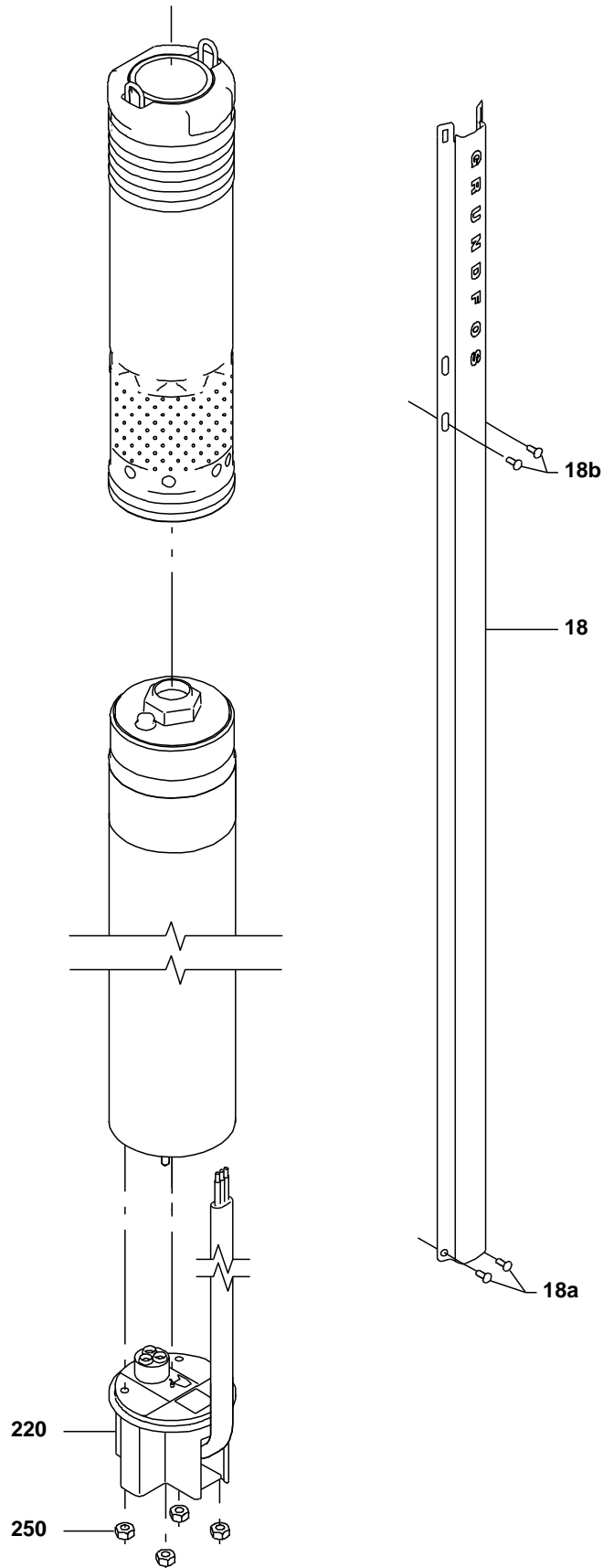
Amount: 1

Product No.: 96160135

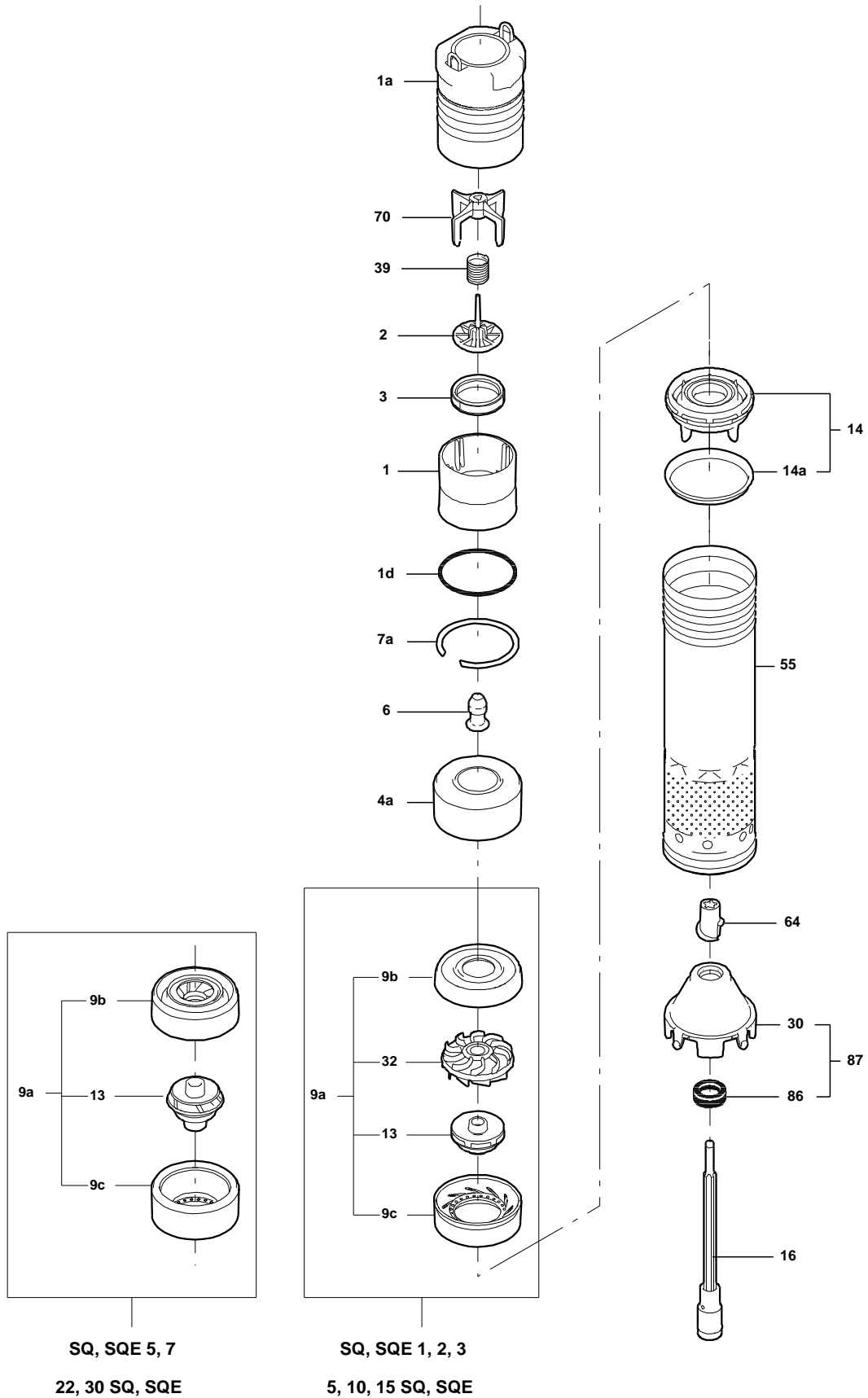
Total: Price on request

---

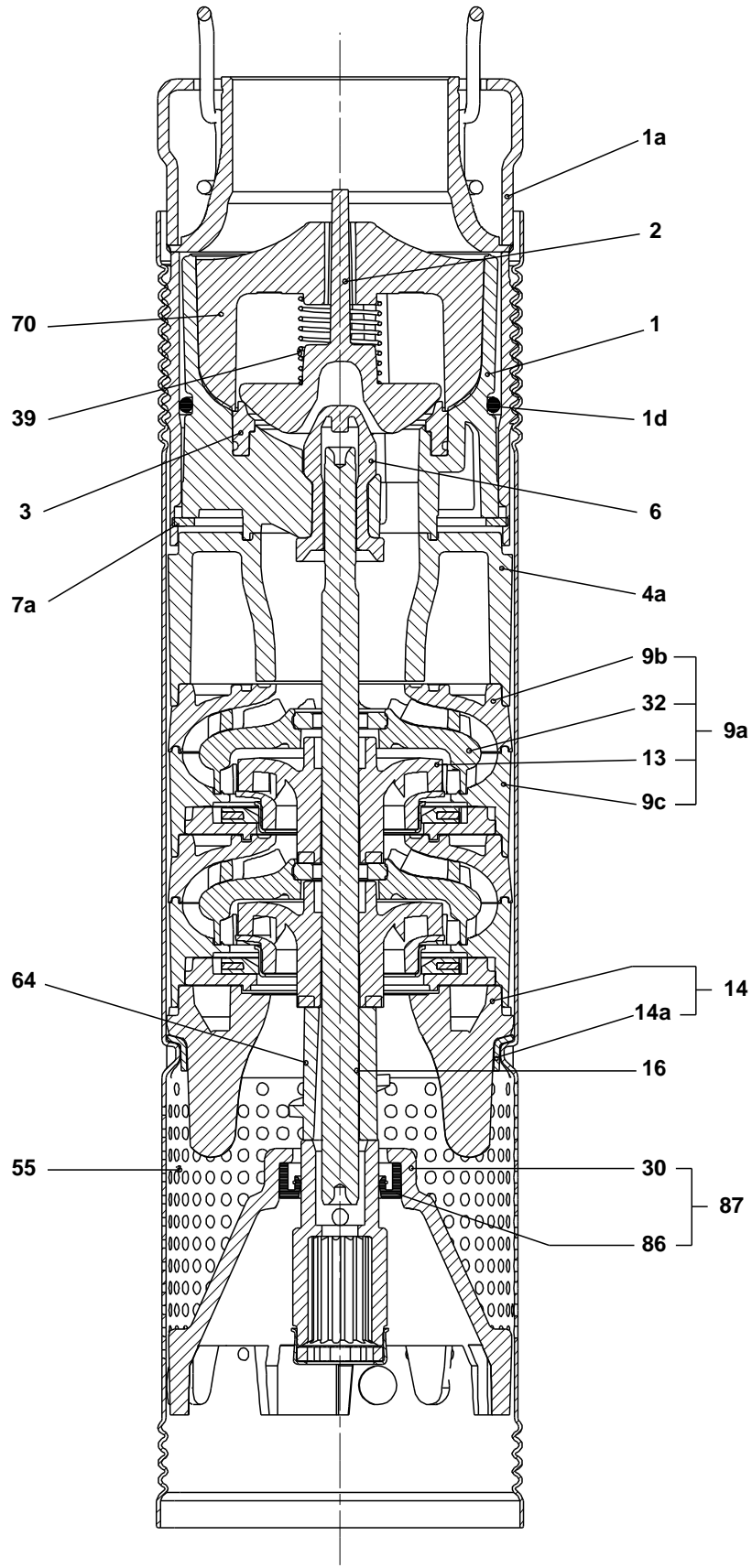
## Exploded view (tm021901 2401)



Exploded view (tm024206 0202)

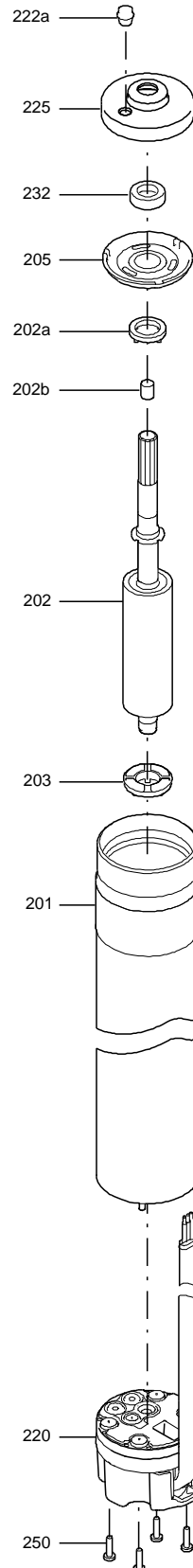


Sectional drawing (tm024207 0202)

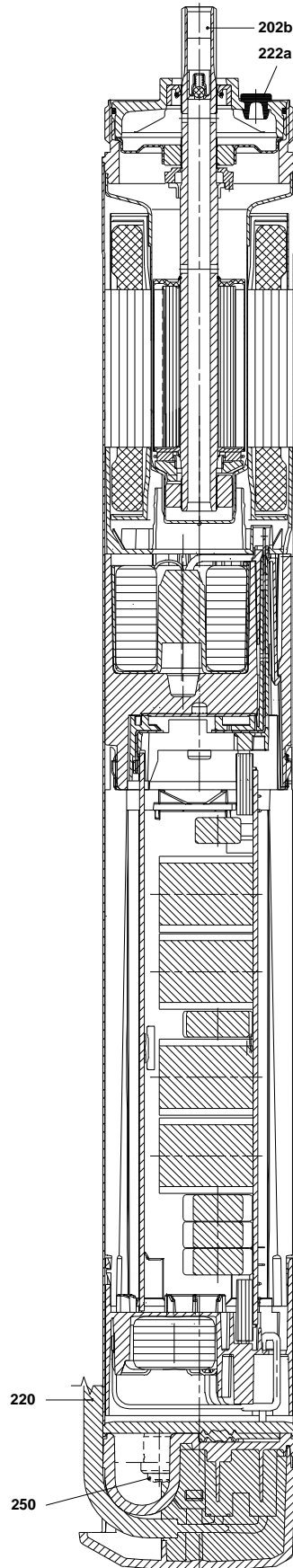


TM024207

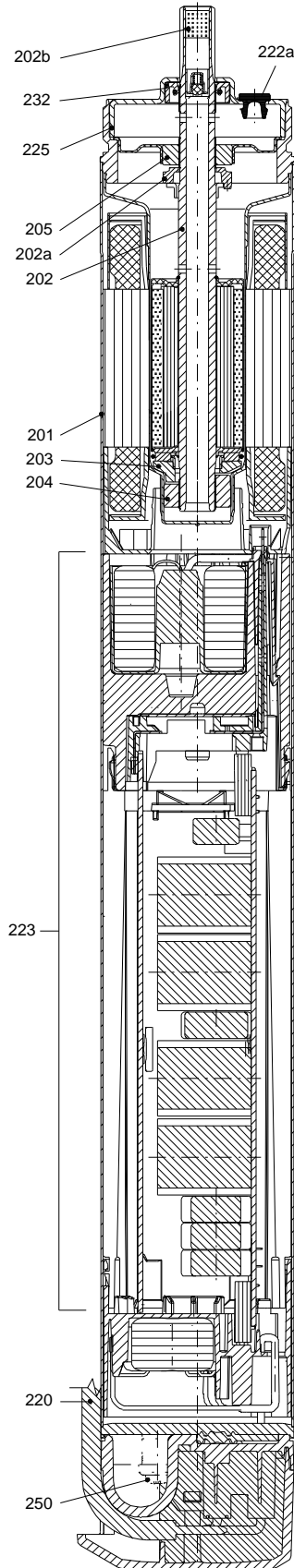
## Exploded view (TM012016 3504)



Sectional drawing ( TM038215 )



Sectional drawing (TM011953 3504)







Company name:

Created by:

Phone:

Date:

2/22/2018

**Parts list 5 SQ07-320, Prod number 96160135**

**Valid from 3.12.2012 (1249)**

| Position | Description       | Annotation | Classification data | Part No. | Count | Unit |
|----------|-------------------|------------|---------------------|----------|-------|------|
| -        | Pump w/o motor    |            |                     |          | 1     | pcs  |
| 1a       | Discharge chamber |            | Thread: NPT 1 1/4"  |          | 1     |      |
| 16       | Shaft cpl.        |            | Length: 232,6       |          | 1     |      |
| 55       | Pump sleeve       |            |                     |          | 1     |      |
| -        | Motor             |            |                     |          | 1     | pcs  |
|          | Cable w/plug      |            |                     |          | 1     |      |
| 250      | Pan head screw    |            |                     |          | 4     |      |
| 18       | Cable guard       |            |                     |          | 1     | pcs  |