

| | | |
|-----------------------|------------------------|-----------------|
| PROJECT: _____ | UNIT TAG: _____ | QUANTITY: _____ |
| REPRESENTATIVE: _____ | TYPE OF SERVICE: _____ | DATE: _____ |
| ENGINEER: _____ | SUBMITTED BY: _____ | DATE: _____ |
| CONTRACTOR: _____ | APPROVED BY: _____ | DATE: _____ |
| | ORDER NO.: _____ | DATE: _____ |

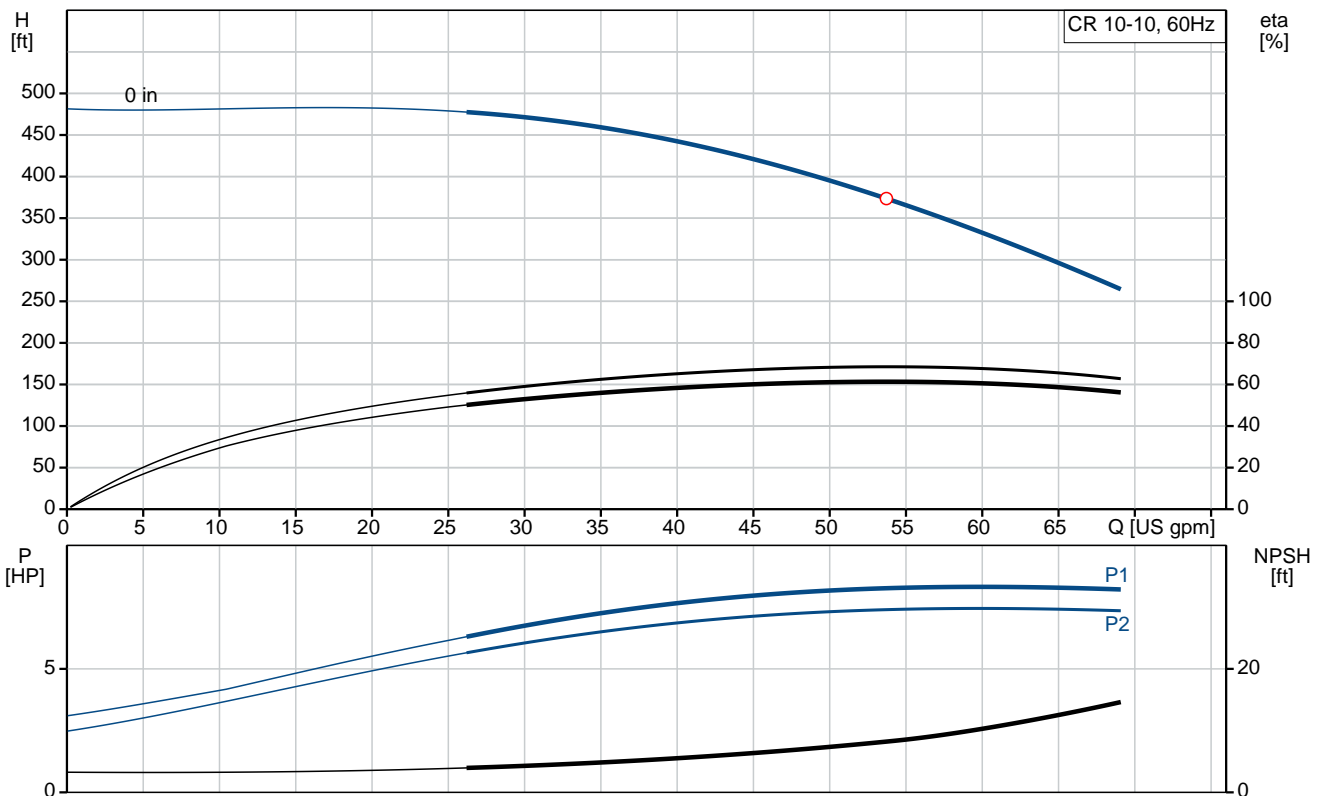


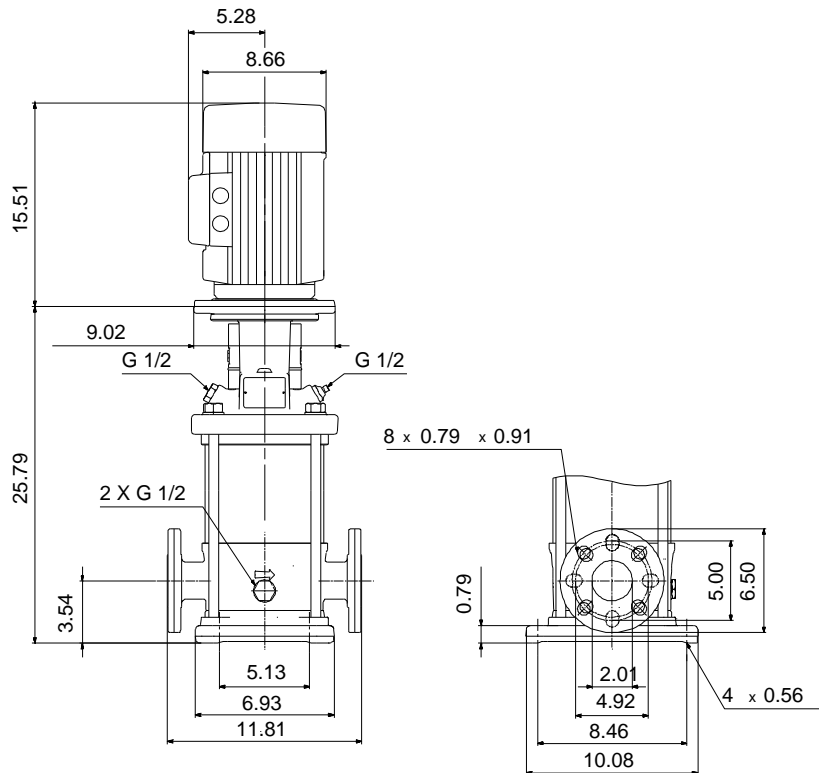
CR 10-10

Vertical, multistage centrifugal pump with suction and discharge ports on the same level. The pump head and base are in cast iron. All other wetted parts are in stainless steel (EN 1.4301)(AISI 304)

Product photo could vary from the actual product

| Conditions of Service | Pump Data | Motor Data |
|-------------------------|--|----------------------------------|
| Flow: _____ | Max pressure at stated temperature: 232 psi / 250 °F | Rated power - P2: 7.5 HP |
| Head: _____ | Maximum ambient temperature: 140 °F | Rated voltage: 208-230YY/460Y V |
| Efficiency: _____ | Approvals: CURUS | Main frequency: 60 Hz |
| Liquid: Water | Shaft seal: HQQE | Enclosure class: 55 Dust/Jetting |
| Temperature: 68 °F | Product number: 96523178 | Insulation class: F |
| NPSH required: ft | | Motor protection: PTC |
| Viscosity: _____ | | Motor type: 132DA |
| Specific Gravity: 1.000 | | Motor_efficiency: 89.5 % |





Materials:

Base: Cast iron
 EN 1561 EN-GJL-200
 ASTM A48-25B

Impeller: Stainless steel
 AISI 304
 EN 1.4301

Material code: A
 Code for rubber: E

Tender Text



Product No.: [96523178](#)

CR 10-10 A-GJ-A-E-HQQE

Vertical, non-self-priming, multistage, in-line, centrifugal pump for installation in pipe systems and mounting on a foundation.

The pump has the following characteristics:

- Impellers and intermediate chambers are made of
- The shaft seal has assembly length

according to EN 12756.

- Power transmission is via cast iron split coupling.

The motor is a 3-phase AC motor.

Controls:

Frequency converter: NONE

Liquid:

Pumped liquid: Water

Liquid temperature during operation: 68 °F

Density: 62.29 lb/ft³

Technical:

Speed for pump data: 3467 rpm

Pump orientation: Vertical

Shaft seal arrangement: Single

Code for shaft seal: HQQE

Approvals on nameplate: CURUS

Curve tolerance: ISO9906:2012 3B

Materials:

Base: Cast iron
EN 1561 EN-GJL-200
ASTM A48-25B

Impeller: Stainless steel
EN 1.4301

Bearing material: AISI 304

SIC

Installation:

Maximum ambient temperature: 140 °F

Max pressure at stated temperature: 232 psi / 250 °F
232 psi / -4 °F

Type of connection: ANSI / JIS

Size of inlet connection: DN 50

Size of suction port: 2 inch

Size of outlet connection: DN 50



Company name:

Created by:

Phone:

Date:

2/20/2018

Size of outlet port: 2 inch
Pressure rating: PN 25
Flange size for motor: 213TC
Flange rating inlet: 300 lb

Electrical data:

Motor standard: NEMA
Motor type: 132DA
IE Efficiency class: NEMA Premium / IE3 60Hz
Rated power - P2: 7.5 HP
Power (P2) required by pump: 7.5 HP
Main frequency: 60 Hz
Rated voltage: 3 x 208-230YY/460Y V
Service factor: 1,15
Rated current: 19,5-18,1/9,09 A
Starting current: 1020-1480 %
Cos phi - power factor: 0,89-0,86
Rated speed: 3490-3515 rpm
IE efficiency: IE3 89,5%
Motor efficiency at full load: 89.5 %
Motor efficiency at 3/4 load: 89.7 %
Motor efficiency at 1/2 load: 88.3 %
Number of poles: 2
Enclosure class (IEC 34-5): 55 Dust/Jetting
Insulation class (IEC 85): F

Others:

Net weight: 203 lb
Gross weight: 223 lb
Shipping volume: 10.1 ft³



Company name:

Created by:

Phone:

Date:

2/20/2018

| Position | Count | Description |
|----------|-------|--|
| | | Pressure rating: PN 25 Flange size for motor: 213TC Flange rating inlet: 300 lb |
| | | Electrical data: Motor standard: NEMA Motor type: 132DA IE Efficiency class: NEMA Premium / IE3 60Hz Rated power - P2: 7.5 HP Power (P2) required by pump: 7.5 HP Main frequency: 60 Hz Rated voltage: 3 x 208-230YY/460Y V Service factor: 1,15 Rated current: 19,5-18,1/9,09 A Starting current: 1020-1480 % Cos phi - power factor: 0,89-0,86 Rated speed: 3490-3515 rpm IE efficiency: IE3 89,5% Motor efficiency at full load: 89.5 % Motor efficiency at 3/4 load: 89.7 % Motor efficiency at 1/2 load: 88.3 % Number of poles: 2 Enclosure class (IEC 34-5): 55 Dust/Jetting Insulation class (IEC 85): F |
| | | Others: Net weight: 203 lb Gross weight: 223 lb Shipping volume: 10.1 ft ³ |



Company name:

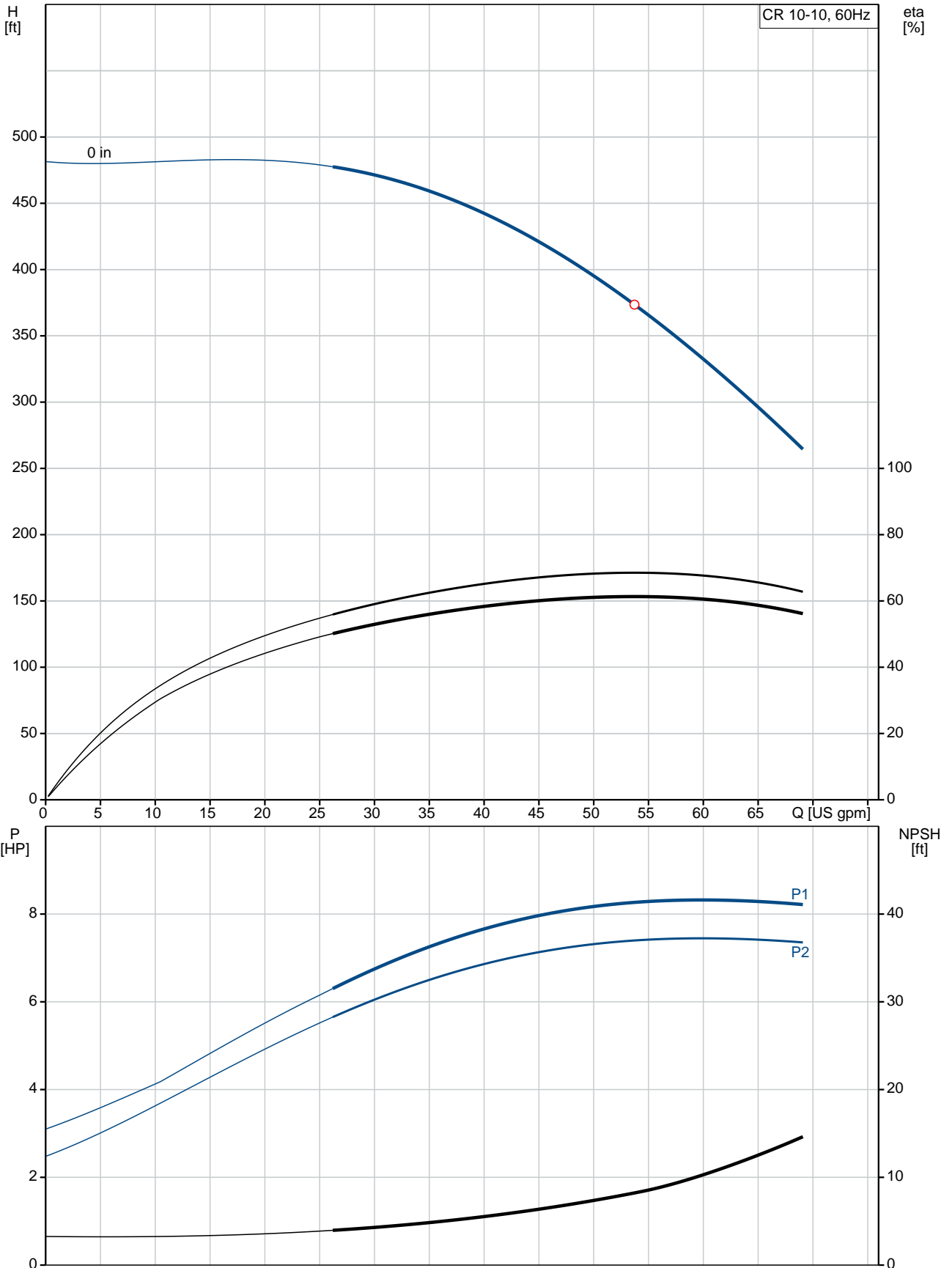
Created by:

Phone:

Date:

2/20/2018

96523178 CR 10-10 60 Hz



| Description | Value |
|-------------|-------|
|-------------|-------|

General information:

| | |
|---------------|------------------------|
| Product name: | CR 10-10 A-GJ-A-E-HQQE |
| Product No.: | 96523178 |
| EAN: | 5700396899534 |

Technical:

| | |
|-------------------------|-----------------|
| Speed for pump data: | 3467 rpm |
| Stages: | 10 |
| Impellers: | 10 |
| Low NPSH: | N |
| Pump orientation: | Vertical |
| Shaft seal arrangement: | Single |
| Code for shaft seal: | HQQE |
| Approvals on nameplate: | CURUS |
| Curve tolerance: | ISO9906:2012 3B |
| Pump version: | A |
| Model: | A |
| Cooling: | TEFC |

Materials:

| | |
|-------------------|---|
| Base: | Cast iron EN 1561 EN-GJL-200 ASTM A48-25B |
| Impeller: | Stainless steel EN 1.4301 AISI 304 |
| Material code: | A |
| Code for rubber: | E |
| Bearing material: | SIC |

Installation:

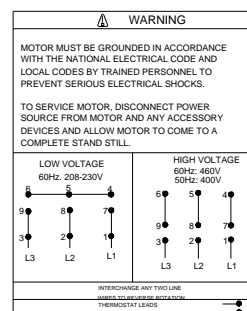
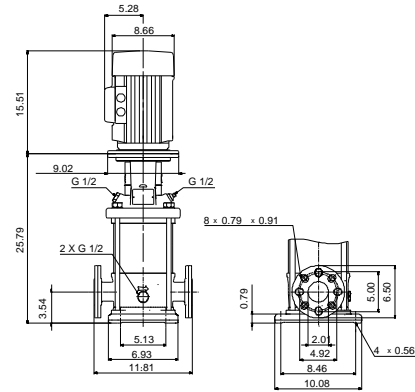
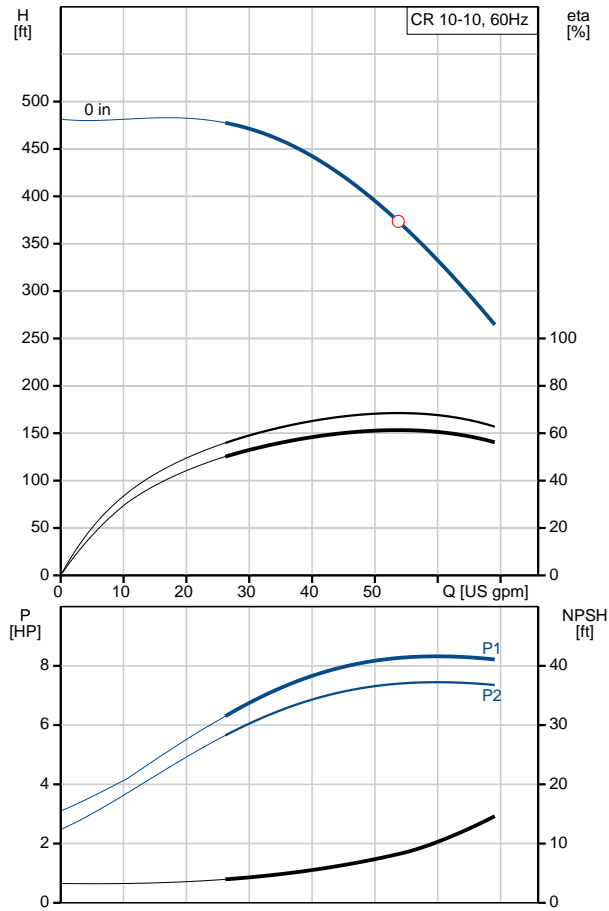
| | |
|-------------------------------------|-------------------------------------|
| Maximum ambient temperature: | 140 °F |
| Max pressure at stated temperature: | 232 psi / 250 °F 232 psi / -4 °F |
| Type of connection: | ANSI / JIS |
| Connect code: | GJ |
| Size of inlet connection: | DN 50 |
| Size of suction port: | 2 inch |
| Size of outlet connection: | DN 50 |
| Size of outlet port: | 2 inch |
| Pressure rating: | PN 25 |
| Flange size for motor: | 213TC |
| Flange rating inlet: | 300 lb |

Liquid:

| | |
|--------------------------------------|--------------------------|
| Pumped liquid: | Water |
| Liquid temperature during operation: | 68 °F |
| Density: | 62.29 lb/ft ³ |

Electrical data:

| | |
|------------------------------|-------------------------|
| Motor standard: | NEMA |
| Motor type: | 132DA |
| IE Efficiency class: | NEMA Premium / IE3 60Hz |
| Rated power - P2: | 7.5 HP |
| Power (P2) required by pump: | 7.5 HP |
| Main frequency: | 60 Hz |
| Rated voltage: | 3 x 208-230YY/460Y V |
| Service factor: | 1,15 |
| Rated current: | 19,5-18,1/9,09 A |





Company name:

Created by:

Phone:

Date: 2/20/2018

| Description | Value |
|--------------------------------|----------------------|
| Starting current: | 1020-1480 % |
| Load current: | 22,4-20,8/10,4 A |
| Cos phi - power factor: | 0,89-0,86 |
| Rated speed: | 3490-3515 rpm |
| IE efficiency: | IE3 89,5% |
| Motor efficiency at full load: | 89.5 % |
| Motor efficiency at 3/4 load: | 89.7 % |
| Motor efficiency at 1/2 load: | 88.3 % |
| Number of poles: | 2 |
| Enclosure class (IEC 34-5): | 55 Dust/Jetting |
| Insulation class (IEC 85): | F |
| Motor protection: | PTC |
| Motor Number: | 85904392 |
| Controls: | |
| Frequency converter: | NONE |
| Others: | |
| Net weight: | 203 lb |
| Gross weight: | 223 lb |
| Shipping volume: | 10.1 ft ³ |

96523178 CR 10-10 60 Hz

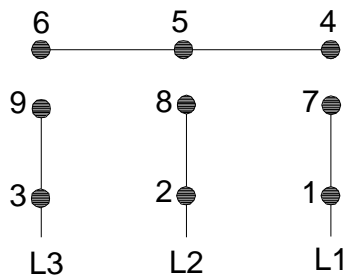


WARNING

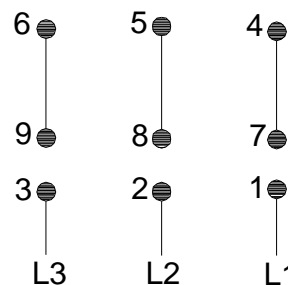
MOTOR MUST BE GROUNDED IN ACCORDANCE WITH THE NATIONAL ELECTRICAL CODE AND LOCAL CODES BY TRAINED PERSONNEL TO PREVENT SERIOUS ELECTRICAL SHOCKS.

TO SERVICE MOTOR, DISCONNECT POWER SOURCE FROM MOTOR AND ANY ACCESSORY DEVICES AND ALLOW MOTOR TO COME TO A COMPLETE STAND STILL.

LOW VOLTAGE 60Hz. 208-230V

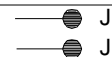


HIGH VOLTAGE 60Hz: 460V 50Hz: 400V



96553852

INTERCHANGE ANY TWO LINE WIRES TO REVERSE ROTATION
THERMOSTAT LEADS
(WHEN PROVIDED)





Company name:

Created by:

Phone:

Date: 2/20/2018

Order Data:

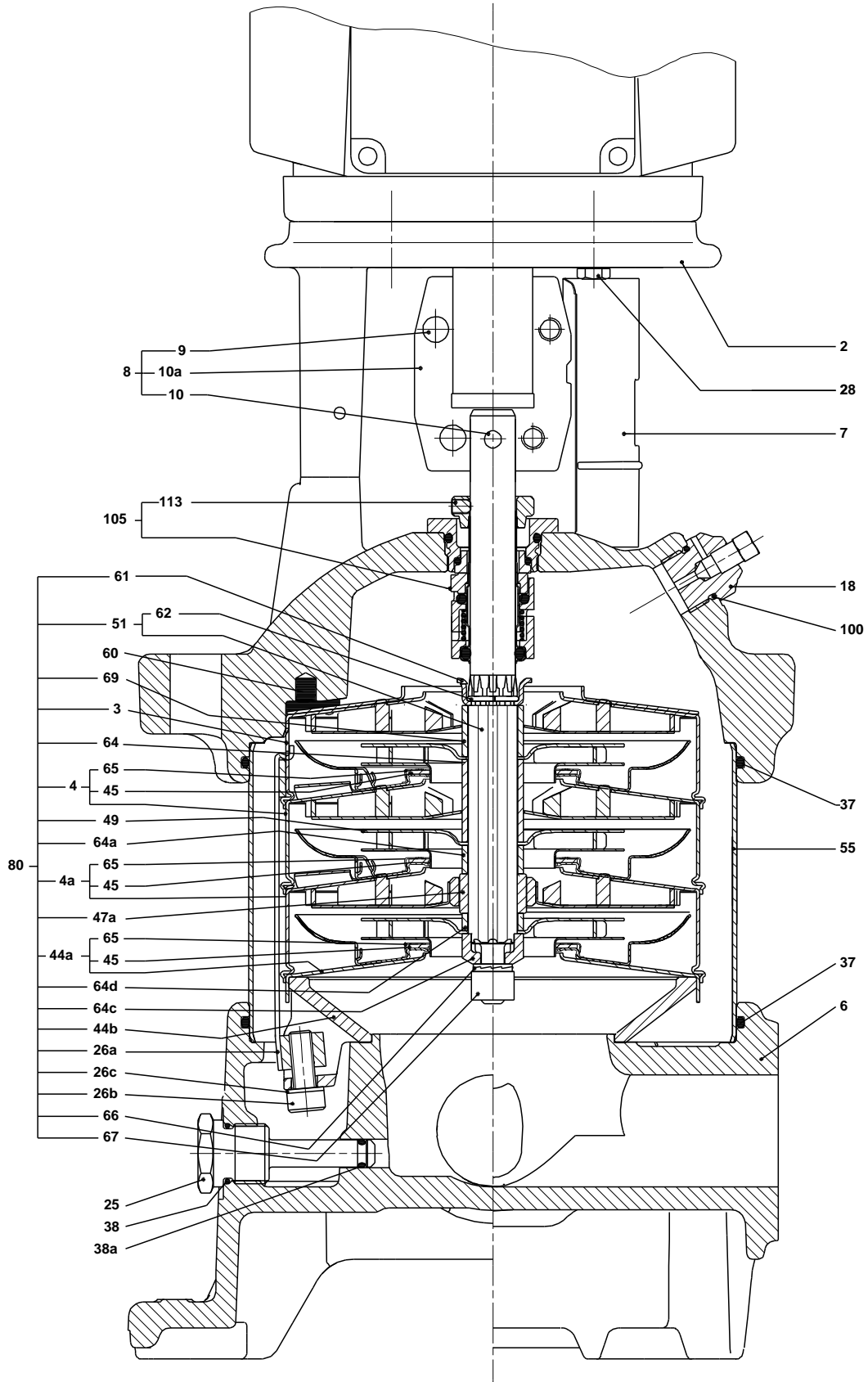
Product name: CR 10-10 A-GJ-A-E-HQQE

Amount: 1

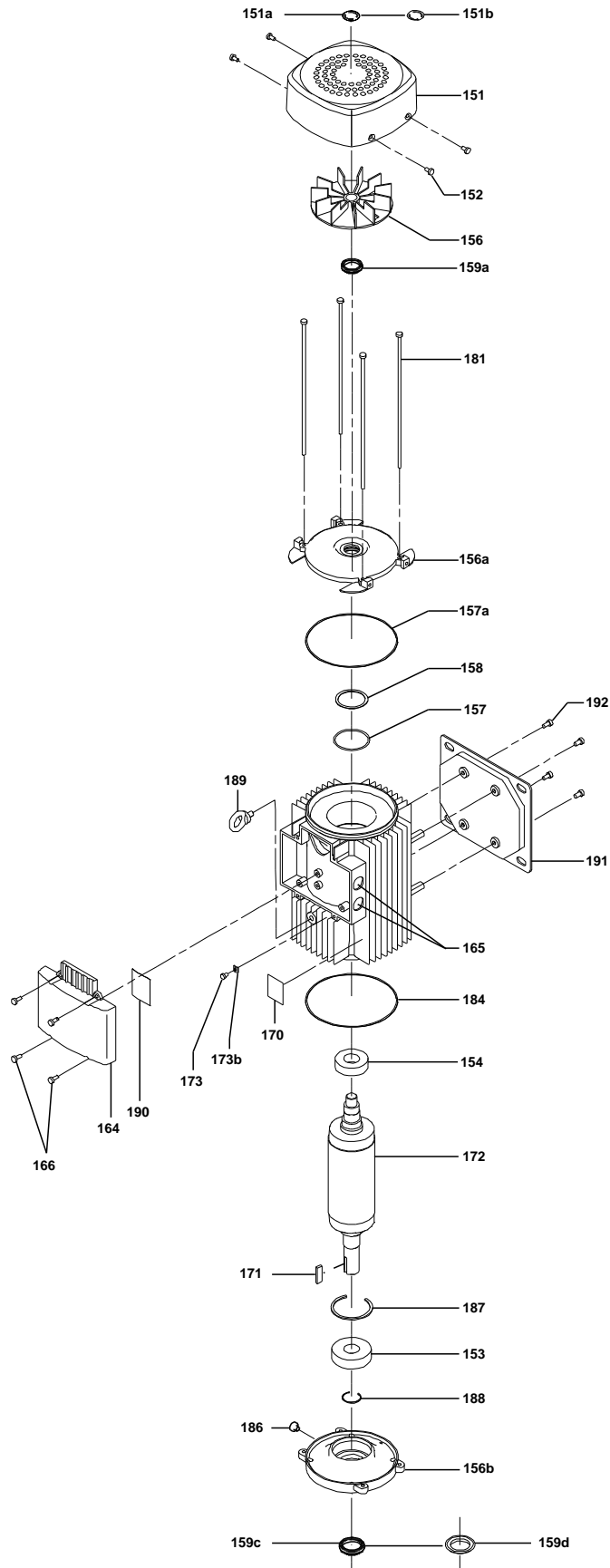
Product No.: 96523178

Total: Price on request

Sectional drawing

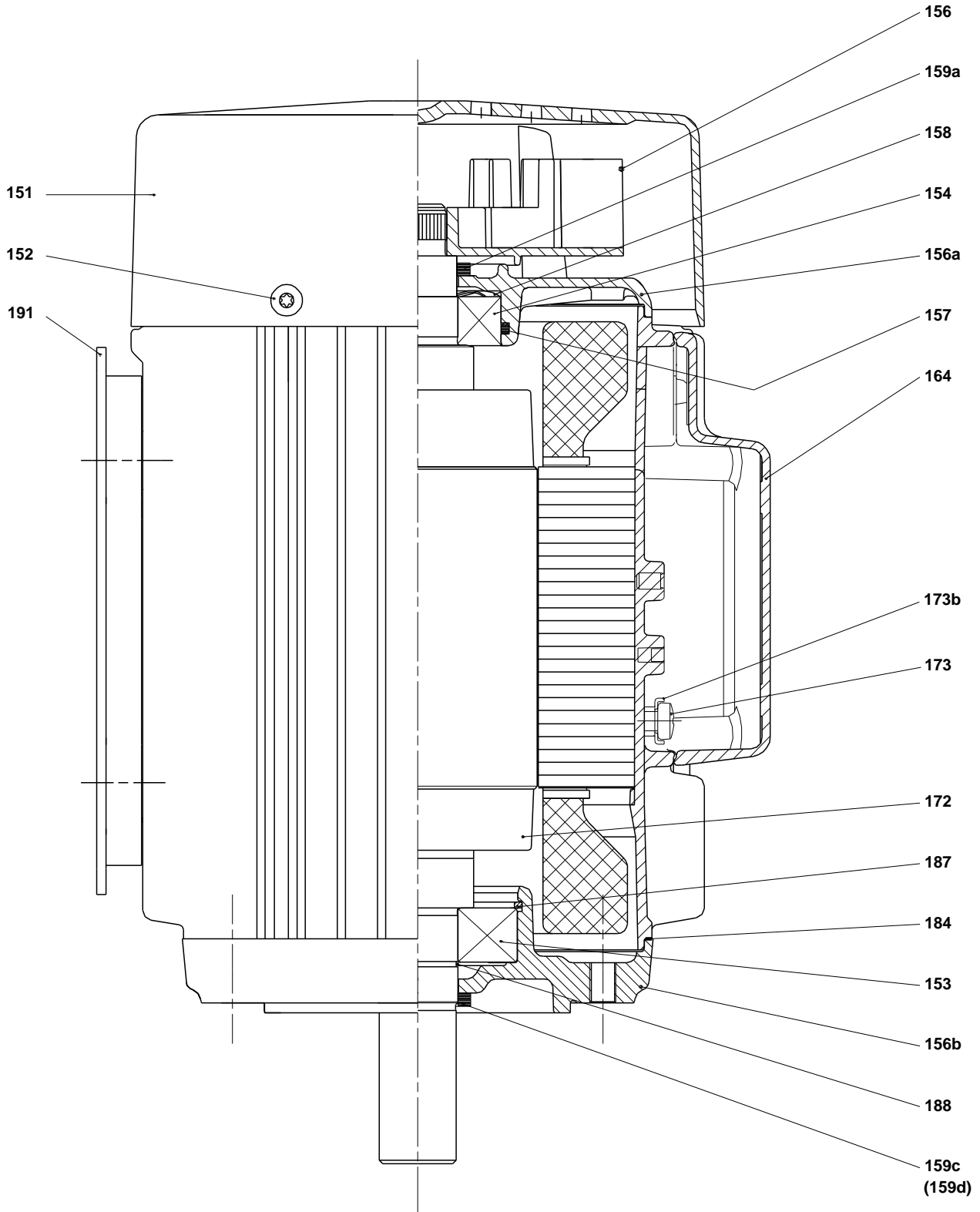


Exploded view (tm030553)



TM030553)

Sectional drawing (TM031465)



**Parts list CR 10-10, Prod number 96523178
Valid from 1.7.2011 (1127)**

| Position | Description | Annotation | Classification data | Part No. | Count | Unit |
|----------|------------------------------|------------|------------------------|----------|-------|------|
| + | Motor | | | | 1 | pcs |
| | Motor | | | | 1 | pcs |
| - | Base cpl. | | | | 1 | pcs |
| 6 | Base | | | | 1 | |
| 25 | Drain plug | | | | 1 | |
| - | Pump head cpl. | | | | 1 | pcs |
| 1 | Flange cpl. | | | | 4 | |
| 2 | Pump head | | | | 1 | |
| 7 | Coupling guard | | | | 2 | |
| 7.a | Thread cutting screw | | | | 4 | |
| - | Air vent screw | | | | 1 | |
| | Plug | | | | | |
| | Spindle | | | | | |
| 23 | Pipe plug | | | | 1 | |
| - | Rubber module | | | | 1 | pcs |
| 20 | Spring | | | | 4 | |
| 37 | O-ring | | | | 2 | |
| 38 | O-ring | | Diameter: 16,3 | | 1 | |
| | | | Material type: EPDM | | | |
| | | | Thickness: 2,4 | | | |
| 38a | O-ring | | Diameter: 5,3 | | 1 | |
| | | | Material type: EPDM | | | |
| | | | Thickness: 2,4 | | | |
| 100 | O-ring | | Diameter: 16,3 | | 2 | |
| | | | Material type: EPDM | | | |
| | | | Thickness: 2,4 | | | |
| - | 8 Coupling | | Dimension: D35/D16 | | 1 | pcs |
| 9 | Hex socket head cap screw | | Designation: DIN 912 | | 4 | |
| | | | Length: 25 | | | |
| | | | Thread: M10 | | | |
| 10 | Shaft pin | | Diameter: 5 | | 1 | |
| | | | Length: 26 | | | |
| 10a | Coupling | | | | 1 | |
| 26 | Staybolt | | | | 4 | pcs |
| 36 | Hex nut | | Thread: M16 | | 4 | pcs |
| 55 | Outer sleeve | | | | 1 | pcs |
| 66a | Washer | | Designation: DIN 125 A | | 4 | pcs |
| | | | Inner diameter: 17 | | | |
| | | | Outer diameter: 30 | | | |
| | | | Thickness: 3 | | | |
| - | 80 Chamber stack | | Bearing type: SIC | | 1 | pcs |
| - | Intermediate chamber cpl. | | | | 1 | |
| | Guide vane | | | | | |
| 3 | Top intermediate chamber | | | | | |
| - | 4 Intermediate chamber cpl. | | | | 7 | |
| | Guide vane | | | | | |
| | Guide cup | | | | | |
| 3a | Intermediate chamber | | | | | |
| 45 | Neck ring cpl. | | | | | |
| 65 | Retainer | | | | | |
| - | 4a Intermediate chamber cpl. | | | | 2 | |
| | Guide vane | | | | | |
| | Bearing plate | | | | | |

| Position | Description | Annotation | Classification data | Part No. | Count | Unit |
|----------|----------------------|------------|-----------------------|----------|-------|------|
| | Bearing bush | | | | | |
| | Guide cup | | | | | |
| 3a | Intermediate chamber | | | | | |
| 45 | Neck ring cpl. | | | | | |
| 65 | Retainer | | | | | |
| 26.b | Hex head screw | | | | 2 | |
| 26.c | Washer | | Designation: DIN 125A | | 2 | |
| | | | Inner diameter: 8,4 | | | |
| | | | Outer diameter: 16 | | | |
| | | | Thickness: 1,6 | | | |
| 26a | Strap cpl. | | Length: 314MM | | 2 | |
| 36 | Lock nut | | Thread: M8 | | 1 | |
| - 44a | Inlet part cpl. | | | | 1 | |
| | Inlet part | | | | | |
| | Guide cup | | | | | |
| 45 | Neck ring cpl. | | | | | |
| 65 | Retainer | | | | | |
| 44b | Inlet part | | | | 1 | |
| 47a | Bearing ring | | | | 2 | |
| 49 | Impeller cpl. | | | | 10 | |
| - 51 | Shaft, spline, cpl. | | | | 1 | |
| | Bar | | | | | |
| 62 | Stop ring | | | | | |
| 64 | Spacing bush | | Length: 9.00 | | 2 | |
| 64.d | Spacer | | | | 2 | |
| 64c | Spacing pipe | | Length: 12.7 | | 1 | |
| 66 | Wedge lock washer | | | | 1 | |
| 69 | Spacing pipe | | Length: 29.05 | | 7 | |
| 69 | Spacing bush | | Length: 18.00 | | 1 | |
| 105 | Shaft seal | | Material type: HQQE | | 1 | pcs |