

PROJECT: _____	UNIT TAG: _____	QUANTITY: _____
REPRESENTATIVE: _____	TYPE OF SERVICE: _____	DATE: _____
ENGINEER: _____	SUBMITTED BY: _____	DATE: _____
CONTRACTOR: _____	APPROVED BY: _____	DATE: _____
	ORDER NO.: _____	DATE: _____

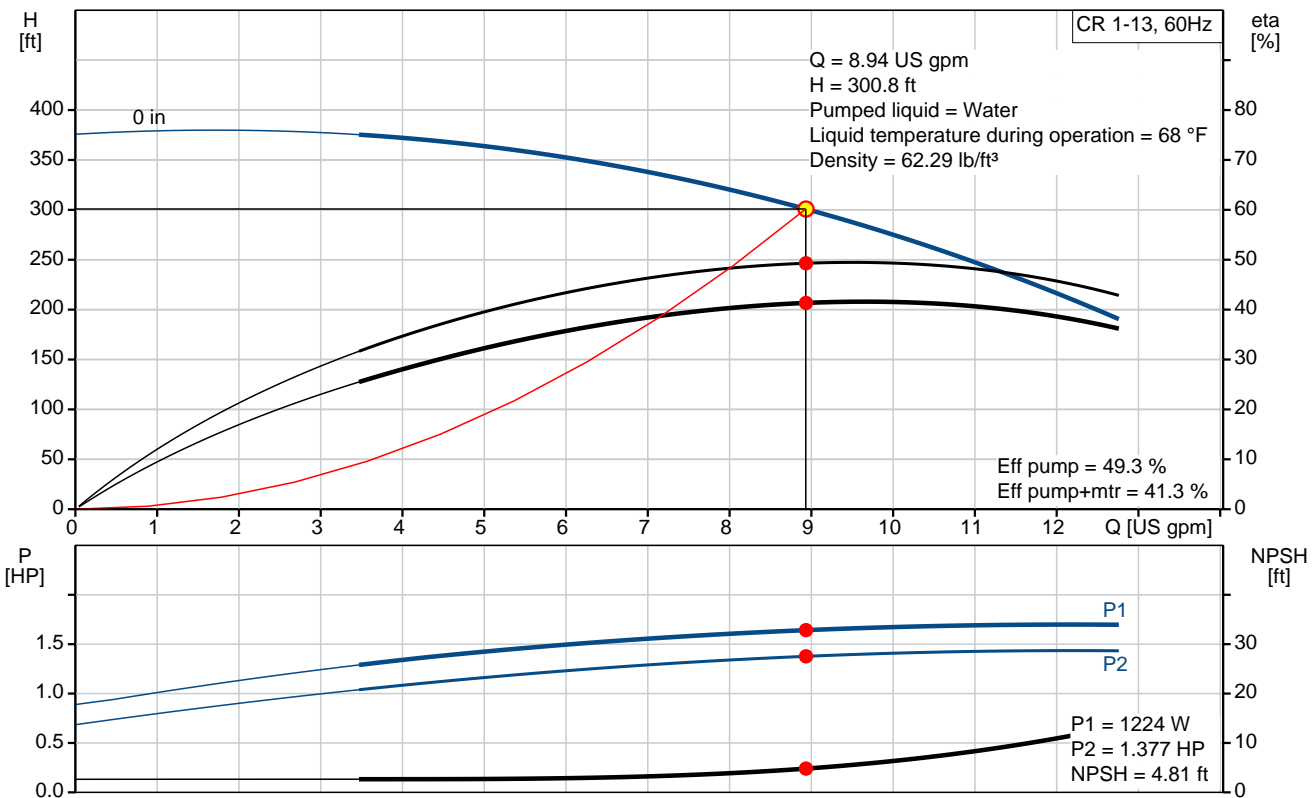
**CR 1-13**

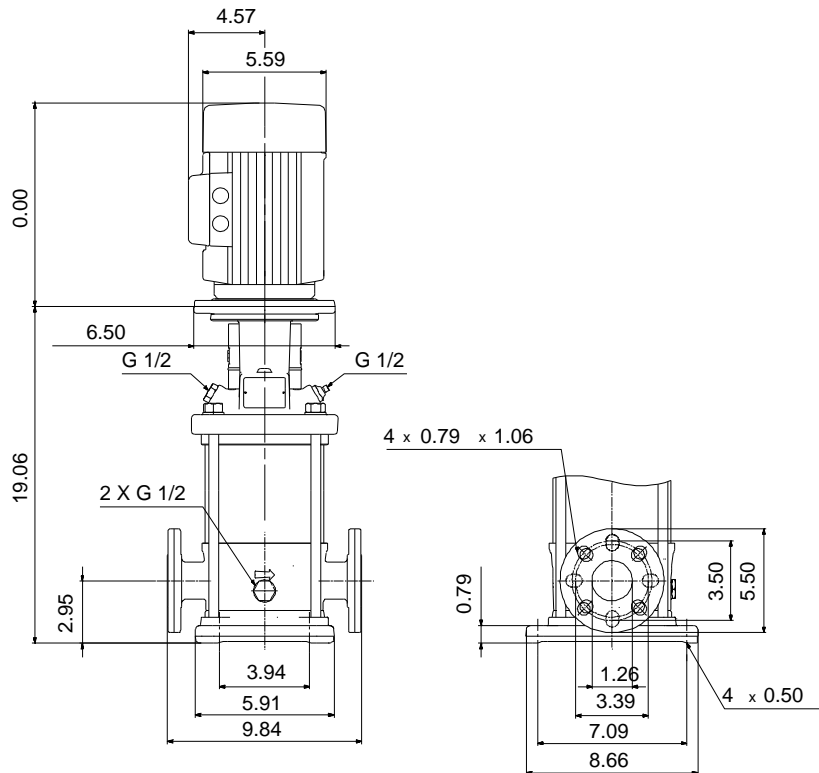
Vertical, multistage centrifugal pump with suction and discharge ports on the same level. The pump head and base are in cast iron. All other wetted parts are in stainless steel (EN 1.4301)(AISI 304)



Product photo could vary from the actual product

Conditions of Service		Pump Data		Motor Data	
Flow:	8.94 US gpm	Max pressure at stated temperature:	363 psi / 194 °F	Rated power - P2:	1.5 HP
Head:	300.8 ft	Maximum ambient temperature:	140 °F	Rated voltage:	208-230YY/460Y V
Efficiency:	41.3 %	Approvals:	CURUS	Main frequency:	60 Hz
Liquid:	Water	Shaft seal:	HQQV	Enclosure class:	55 Dust/Jetting
Temperature:	68 °F	Product number:	96082228	Insulation class:	F
NPSH required:	4.81 ft			Motor protection:	NONE
Viscosity:	_____			Motor type:	80CA
Specific Gravity:	1.000			Motor_efficiency:	84.9 %





**Materials:**

Base:	Cast iron EN 1561 EN-GJL-200 ASTM A48-25B
Impeller:	Stainless steel AISI 304 EN 1.4301
Material code:	A
Code for rubber:	V

## Tender Text



Product No.: [96082228](#)

### CR 1-13 A-FGJ-A-V-HQQV

Vertical, non-self-priming, multistage, in-line, centrifugal pump for installation in pipe systems and mounting on a foundation.

The pump has the following characteristics:

- Impellers and intermediate chambers are made of
- The shaft seal has assembly length

according to EN 12756.

- Power transmission is via cast iron split coupling.

The motor is a 3-phase AC motor.

#### Controls:

Frequency converter: NONE

#### Liquid:

Pumped liquid: Water

Liquid temperature during operation: 68 °F

Density: 62.29 lb/ft<sup>3</sup>

#### Technical:

Speed for pump data: 3466 rpm

Actual calculated flow: 8.94 US gpm

Resulting head of the pump: 300.8 ft

Pump orientation: Vertical

Shaft seal arrangement: Single

Code for shaft seal: HQQV

Approvals on nameplate: CURUS

Curve tolerance: ISO9906:2012 3B

#### Materials:

Base: Cast iron  
EN 1561 EN-GJL-200  
ASTM A48-25B

Impeller: Stainless steel  
EN 1.4301

Bearing material: AISI 304  
SIC

#### Installation:

Maximum ambient temperature: 140 °F

Max pressure at stated temperature: 363 psi / 194 °F  
363 psi / -4 °F

Type of connection: DIN / ANSI / JIS

Size of inlet connection: DN 25/32



Company name:

Created by:

Phone:

Date:

2/20/2018


Size of suction port: 1 1/4 inch  
Size of outlet connection: DN 25/32  
Size of outlet port: 1 1/4 inch  
Pressure rating: PN 25  
Flange size for motor: 56C  
Flange rating inlet: 250 lb

**Electrical data:**

Motor standard: NEMA  
Motor type: 80CA  
IE Efficiency class: NEMA Premium / IE3 60Hz  
Rated power - P2: 1.5 HP  
Power (P2) required by pump: 1.5 HP  
Main frequency: 60 Hz  
Rated voltage: 3 x 208-230YY/460Y V  
Service factor: 1,15  
Rated current: 4,45-4,3/2,16 A  
Starting current: 720 %  
Cos phi - power factor: 0,84-0,78  
Rated speed: 3440-3480 rpm  
IE efficiency: IE3 84,1%  
Motor efficiency at full load: 84.9 %  
Motor efficiency at 3/4 load: 81.0 %  
Motor efficiency at 1/2 load: 78.5 %  
Number of poles: 2  
Enclosure class (IEC 34-5): 55 Dust/Jetting  
Insulation class (IEC 85): F

**Others:**

Net weight: 66.5 lb  
Gross weight: 77.5 lb  
Shipping volume: 6.11 ft<sup>3</sup>

Position	Count	Description
	1	<p><b>CR 1-13 A-FGJ-A-V-HQQV</b></p>  <p>Product No.: <a href="#">96082228</a>            Vertical, non-self-priming, multistage, in-line, centrifugal pump for installation in pipe systems and mounting on a foundation.</p> <p>The pump has the following characteristics:</p> <ul style="list-style-type: none"> <li>- Impellers and intermediate chambers are made of</li> <li>- The shaft seal has assembly length according to EN 12756.</li> <li>- Power transmission is via cast iron split coupling.</li> </ul> <p>The motor is a 3-phase AC motor.</p> <p>Controls:            Frequency converter: NONE</p> <p><b>Liquid:</b>            Pumped liquid: Water            Liquid temperature during operation: 68 °F            Density: 62.29 lb/ft<sup>3</sup></p> <p><b>Technical:</b>            Speed for pump data: 3466 rpm            Actual calculated flow: 8.94 US gpm            Resulting head of the pump: 300.8 ft            Pump orientation: Vertical            Shaft seal arrangement: Single            Code for shaft seal: HQQV            Approvals on nameplate: CURUS            Curve tolerance: ISO9906:2012 3B</p> <p><b>Materials:</b>            Base: Cast iron                      EN 1561 EN-GJL-200                      ASTM A48-25B            Impeller: Stainless steel                      EN 1.4301                      AISI 304            Bearing material: SIC</p> <p><b>Installation:</b>            Maximum ambient temperature: 140 °F            Max pressure at stated temperature: 363 psi / 194 °F              363 psi / -4 °F            Type of connection: DIN / ANSI / JIS            Size of inlet connection: DN 25/32            Size of suction port: 1 1/4 inch</p>



Company name:

Created by:

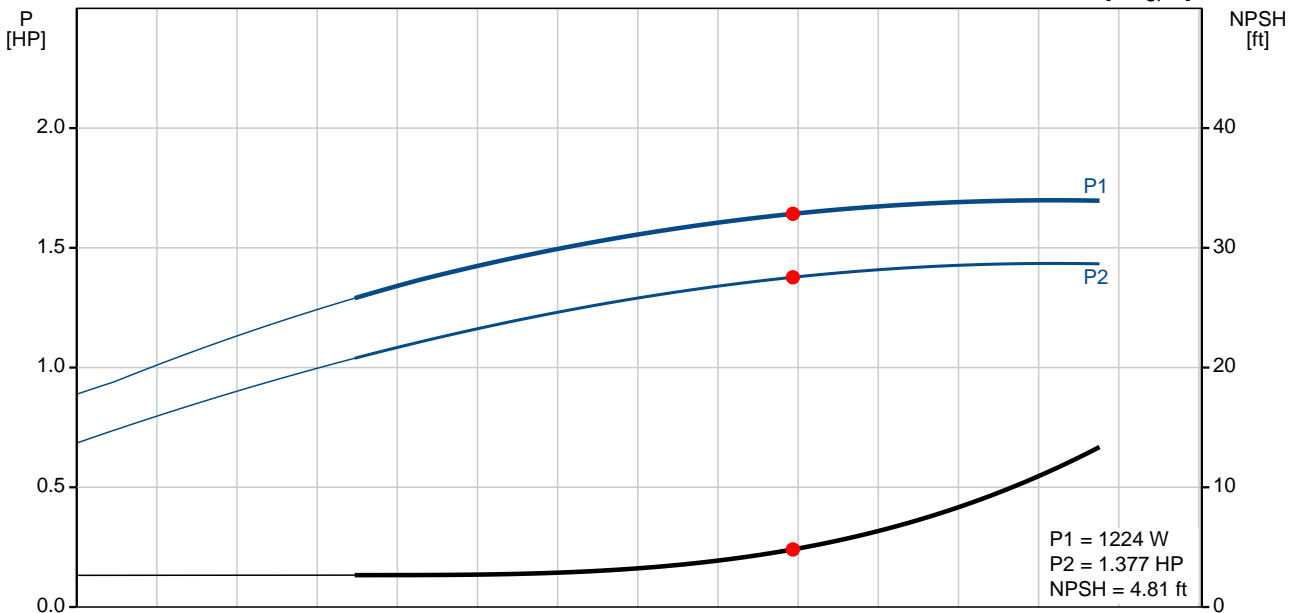
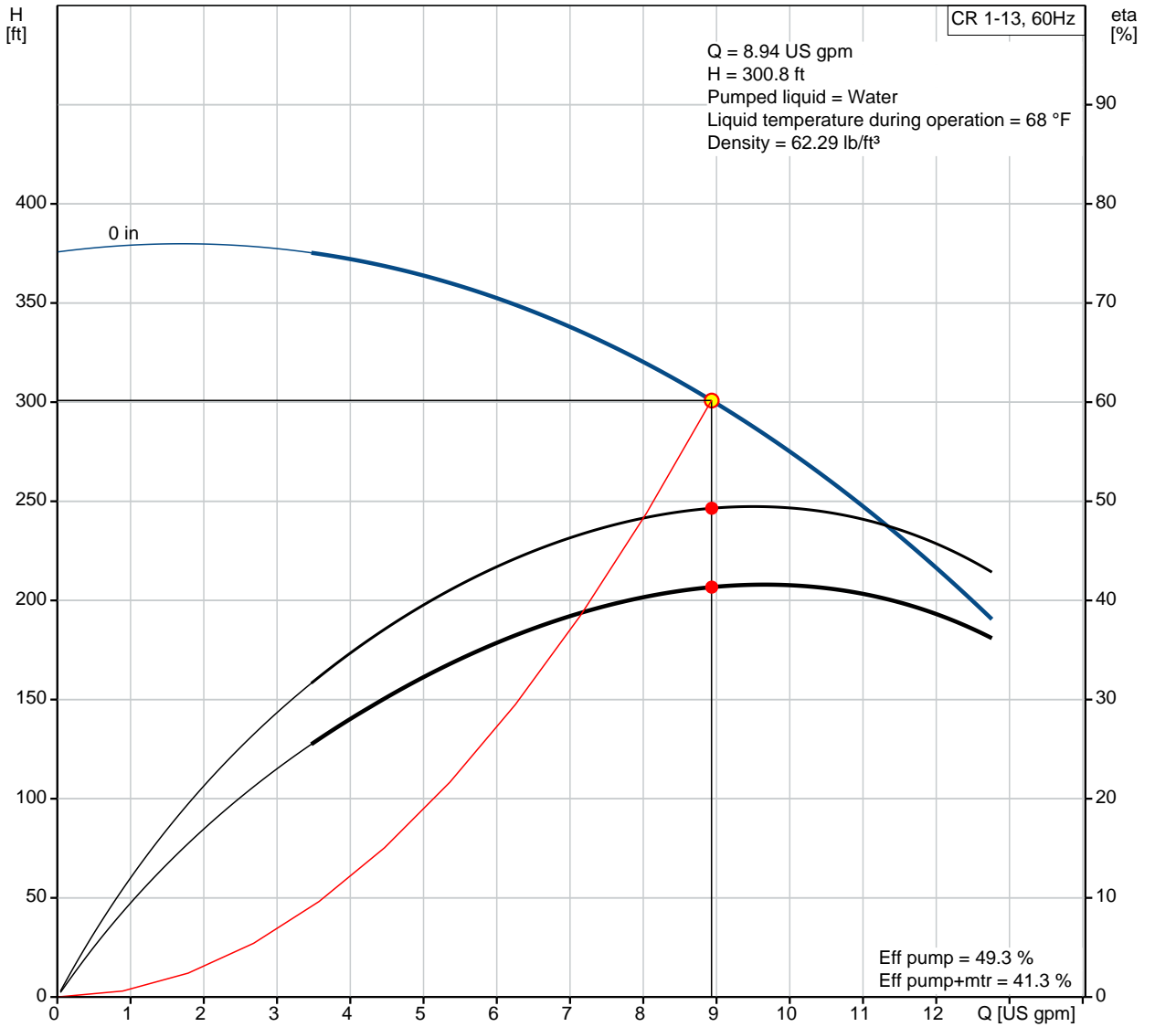
Phone:

Date:

2/20/2018

Position	Count	Description
		Size of outlet connection: DN 25/32 Size of outlet port: 1 1/4 inch Pressure rating: PN 25 Flange size for motor: 56C Flange rating inlet: 250 lb
		<b>Electrical data:</b> Motor standard: NEMA Motor type: 80CA IE Efficiency class: NEMA Premium / IE3 60Hz Rated power - P2: 1.5 HP Power (P2) required by pump: 1.5 HP Main frequency: 60 Hz Rated voltage: 3 x 208-230YY/460Y V Service factor: 1,15 Rated current: 4,45-4,3/2,16 A Starting current: 720 % Cos phi - power factor: 0,84-0,78 Rated speed: 3440-3480 rpm IE efficiency: IE3 84,1% Motor efficiency at full load: 84.9 % Motor efficiency at 3/4 load: 81.0 % Motor efficiency at 1/2 load: 78.5 % Number of poles: 2 Enclosure class (IEC 34-5): 55 Dust/Jetting Insulation class (IEC 85): F
		<b>Others:</b> Net weight: 66.5 lb Gross weight: 77.5 lb Shipping volume: 6.11 ft <sup>3</sup>

## 96082228 CR 1-13 60 Hz



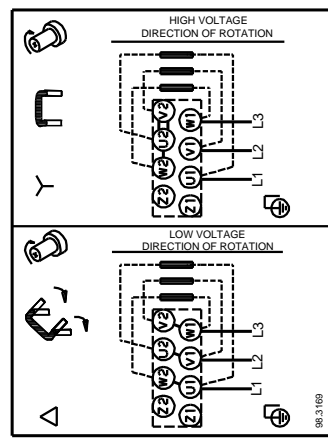
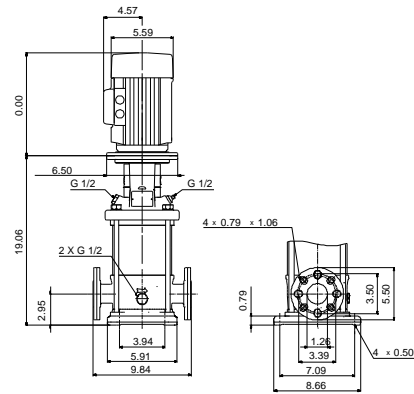
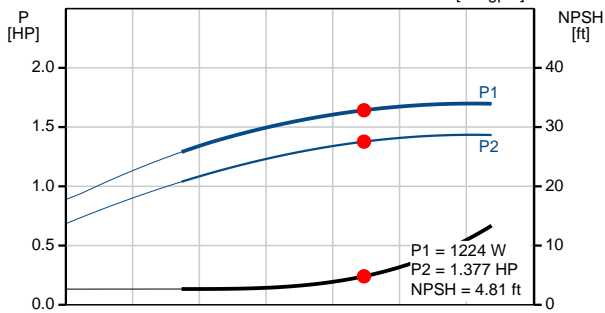
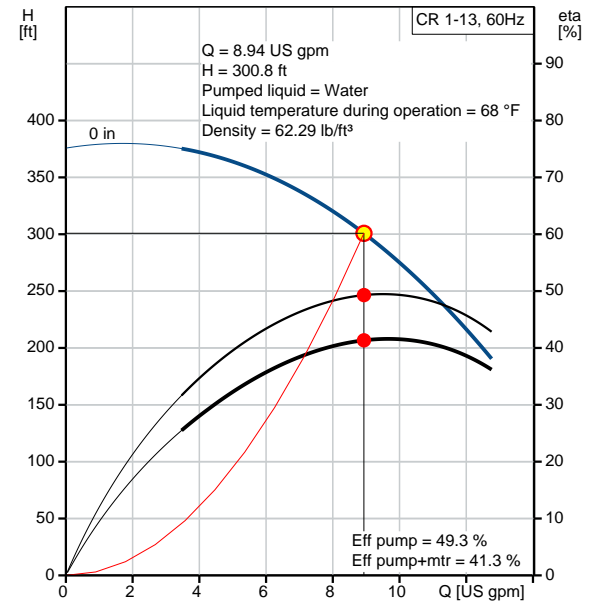
Description	Value
<b>General information:</b>	
Product name:	CR 1-13 A-FGJ-A-V-HQQV
Product No.:	96082228
EAN:	5700395169669
<b>Technical:</b>	
Speed for pump data:	3466 rpm
Actual calculated flow:	8.94 US gpm
Resulting head of the pump:	300.8 ft
Stages:	13
Impellers:	13
Low NPSH:	N
Pump orientation:	Vertical
Shaft seal arrangement:	Single
Code for shaft seal:	HQQV
Approvals on nameplate:	CURUS
Curve tolerance:	ISO9906:2012 3B
Pump version:	A
Model:	A
Cooling:	TEFC

<b>Materials:</b>	
Base:	Cast iron EN 1561 EN-GJL-200 ASTM A48-25B
Impeller:	Stainless steel EN 1.4301 AISI 304
Material code:	A
Code for rubber:	V
Bearing material:	SIC

<b>Installation:</b>	
Maximum ambient temperature:	140 °F
Max pressure at stated temperature:	363 psi / 194 °F 363 psi / -4 °F
Type of connection:	DIN / ANSI / JIS
Connect code:	FGJ
Size of inlet connection:	DN 25/32
Size of suction port:	1 1/4 inch
Size of outlet connection:	DN 25/32
Size of outlet port:	1 1/4 inch
Pressure rating:	PN 25
Flange size for motor:	56C
Flange rating inlet:	250 lb

<b>Liquid:</b>	
Pumped liquid:	Water
Liquid temperature during operation:	68 °F
Density:	62.29 lb/ft <sup>3</sup>

<b>Electrical data:</b>	
Motor standard:	NEMA
Motor type:	80CA
IE Efficiency class:	NEMA Premium / IE3 60Hz
Rated power - P2:	1.5 HP
Power (P2) required by pump:	1.5 HP
Main frequency:	60 Hz
Rated voltage:	3 x 208-230YY/460Y V







Company name:

Created by:

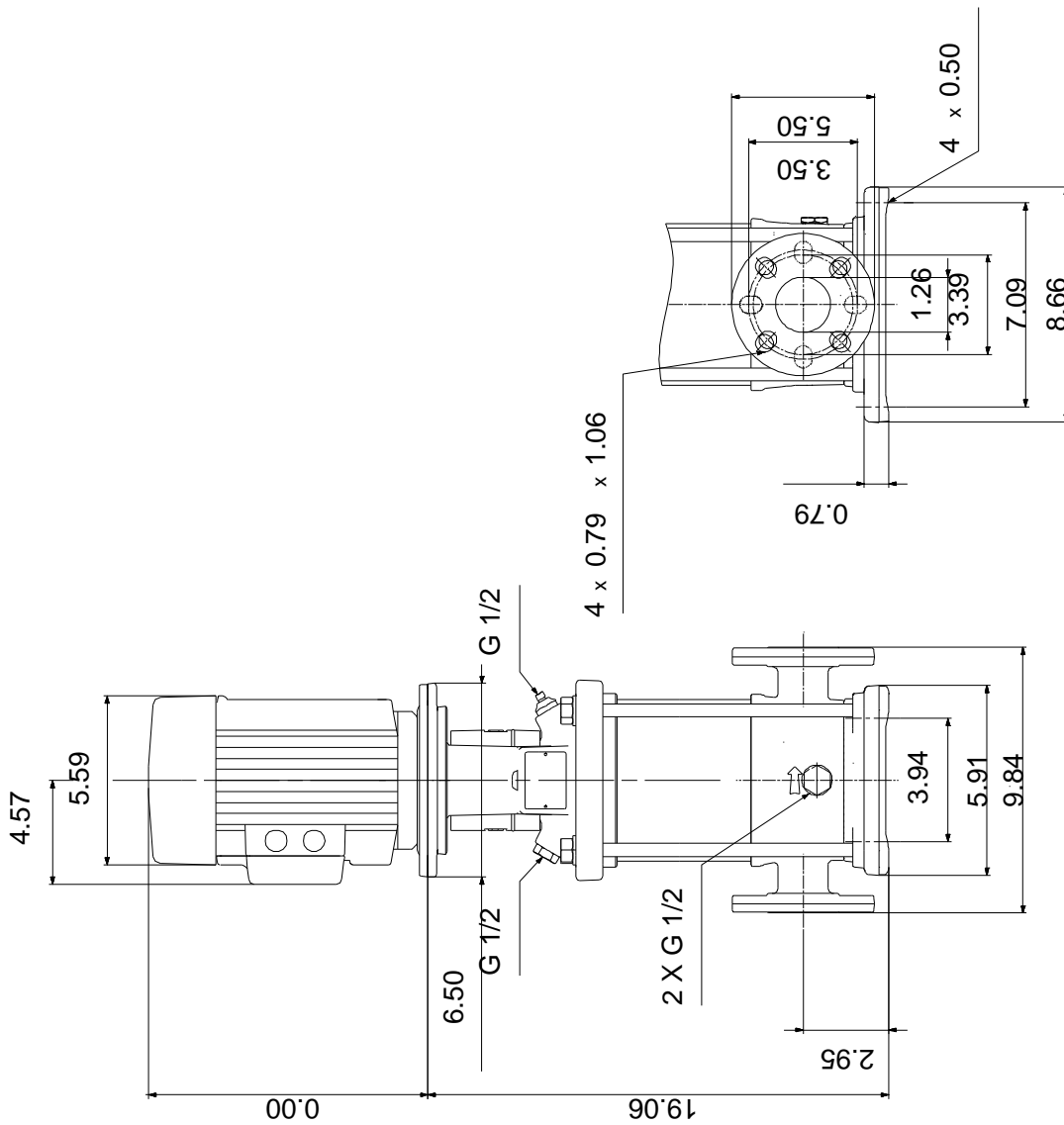
Phone:

Date:

2/20/2018

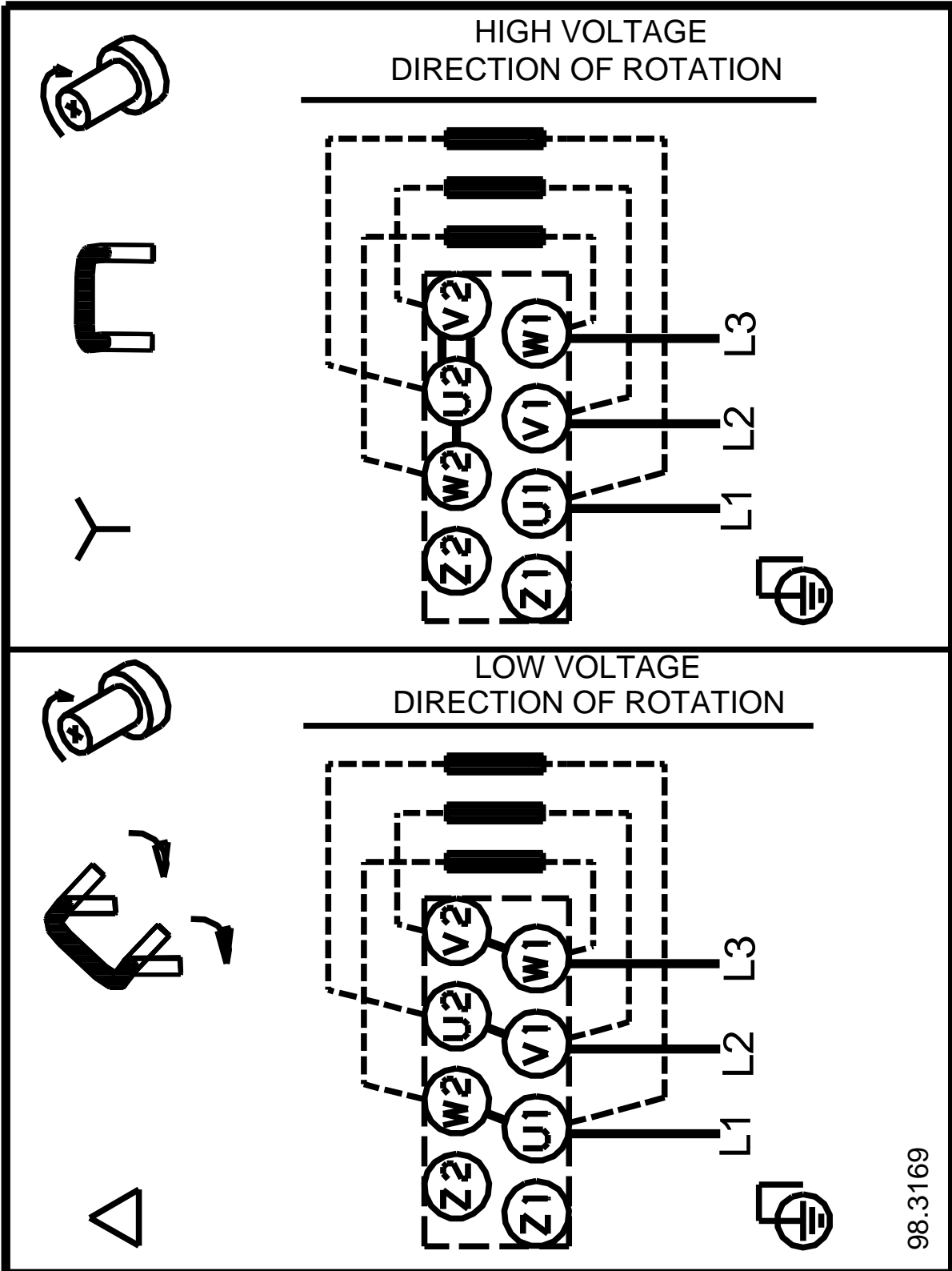
Description	Value
Service factor:	1,15
Rated current:	4,45-4,3/2,16 A
Starting current:	720 %
Load current:	5,1-4,95/2,48 A
Cos phi - power factor:	0,84-0,78
Rated speed:	3440-3480 rpm
IE efficiency:	IE3 84,1%
Motor efficiency at full load:	84.9 %
Motor efficiency at 3/4 load:	81.0 %
Motor efficiency at 1/2 load:	78.5 %
Number of poles:	2
Enclosure class (IEC 34-5):	55 Dust/Jetting
Insulation class (IEC 85):	F
Motor protection:	NONE
Motor Number:	98976607
<b>Controls:</b>	
Frequency converter:	NONE
<b>Others:</b>	
Net weight:	66.5 lb
Gross weight:	77.5 lb
Shipping volume:	6.11 ft <sup>3</sup>

## 96082228 CR 1-13 60 Hz



Note! All units are in [mm] unless otherwise stated.  
 Disclaimer: This simplified dimensional drawing does not show all details.

**96082228 CR 1-13 60 Hz**



All units are [mm] unless otherwise presented.



Company name:

Created by:

Phone:

Date: 2/20/2018

---

**Order Data:**

Product name: CR 1-13 A-FGJ-A-V-HQQV

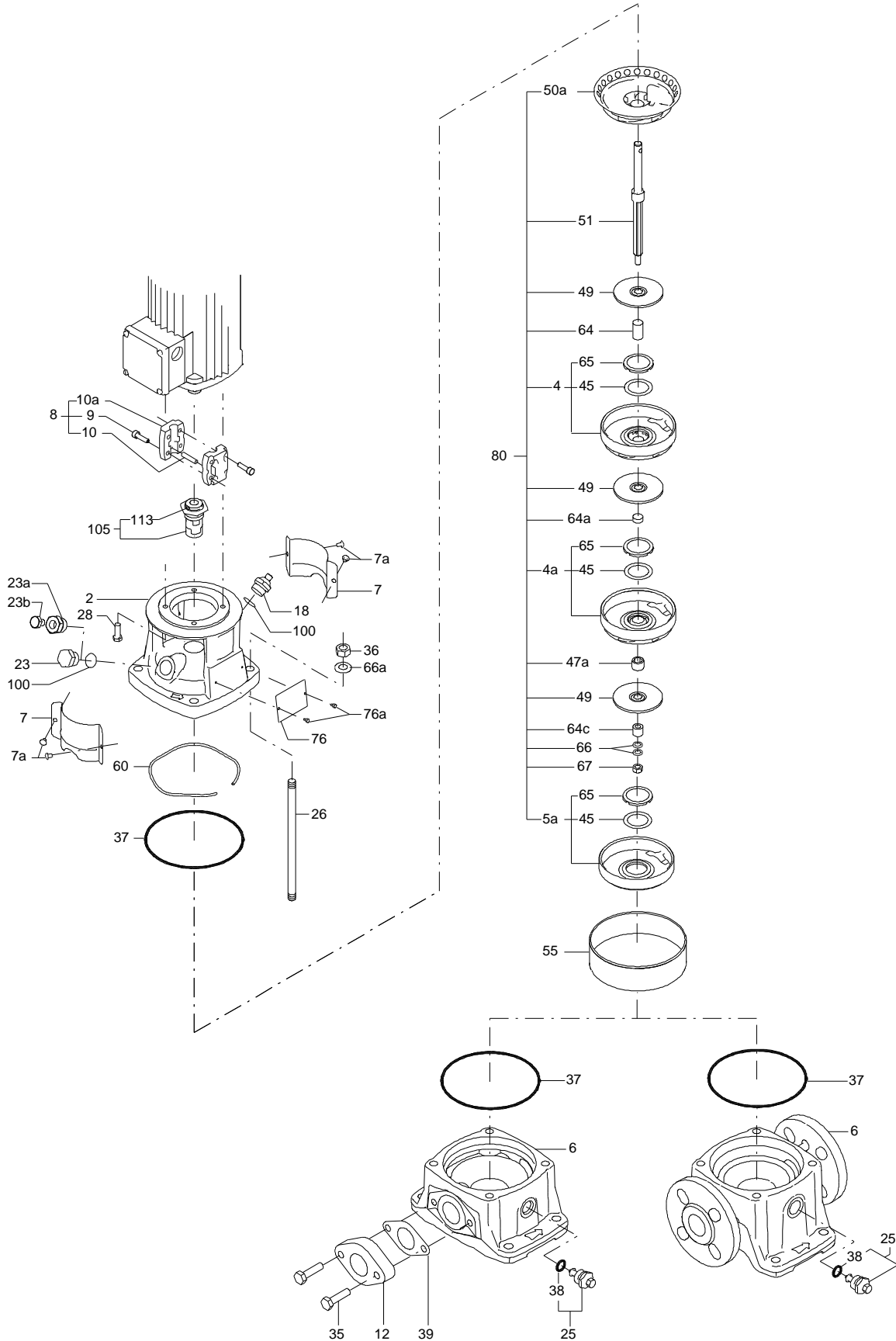
Amount: 1

Product No.: 96082228

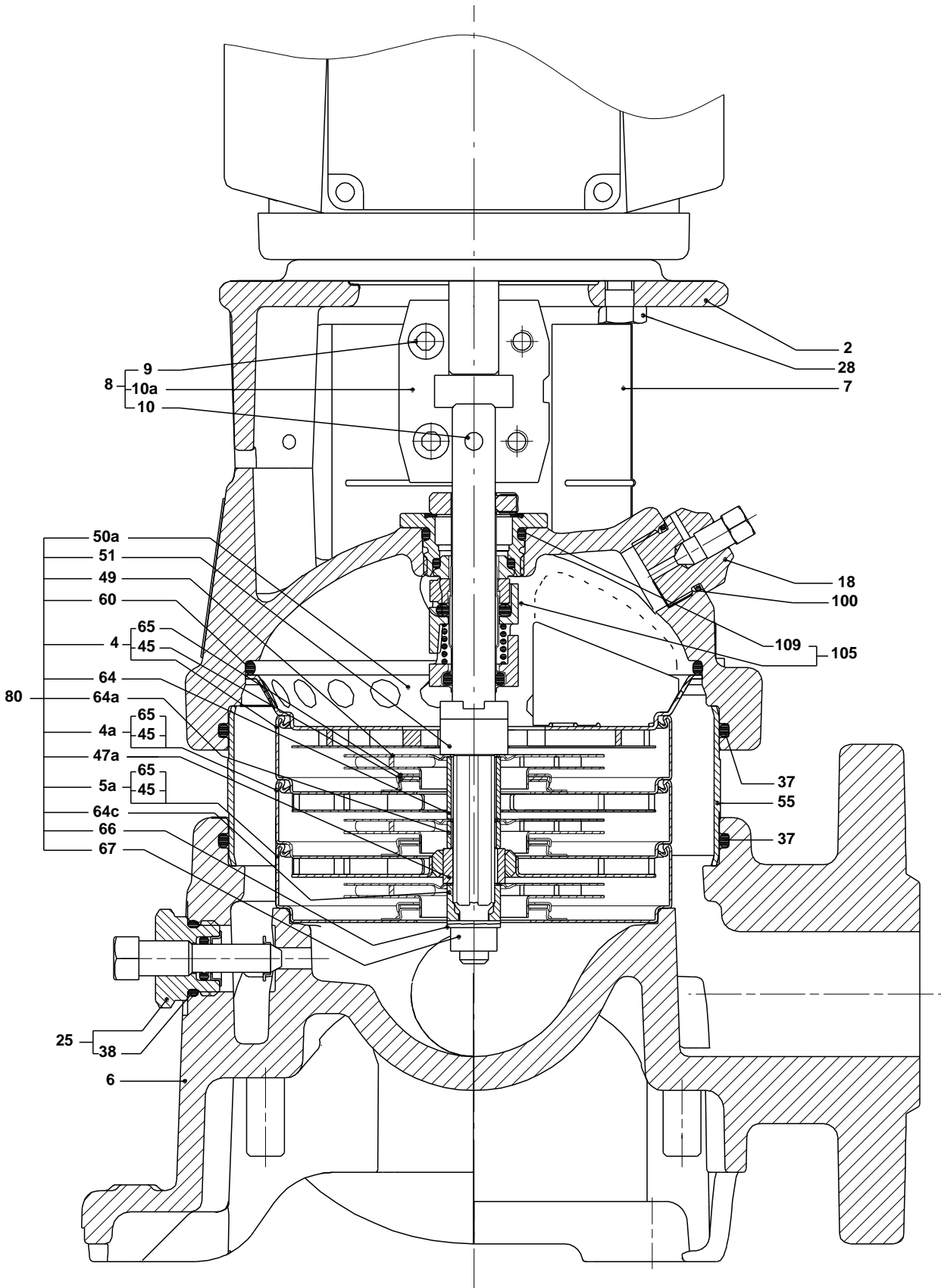
Total: Price on request

---

Exploded view (tm020210 4100)



Sectional drawing (tm020211 4100)



**Parts list CR 1-13, Prod number 96082228**

**Valid from 16.9.2016 (1638)**

Position	Description	Annotation	Classification data	Part No.	Count	Unit
	Motor				1	pcs
-	Base cpl.				1	pcs
6	Base				1	
-	Sealing parts				1	pcs
- 25	Drain plug w/bypass valve				1	
38	O-ring		Diameter: 16,3			
			Material type: FKM			
			Thickness: 2,4			
37	O-ring		Diameter: 137,5		2	
			Material type: FKM			
			Thickness: 3,3			
100	O-ring		Diameter: 16,3		2	
			Material type: FKM			
			Thickness: 2,4			
- 2	Pump head cpl.				1	pcs
2	Pump head				1	
7	Coupling guard				2	
7a	Thread cutting screw				4	
- 18	Air vent screw				1	
	Plug					
	Spindle					
- 25	Drain plug				1	
23	Pipe plug					
25	Drain plug					
28	Hex head cap screw		Length: 25		4	
			Thread: UNC 3/8"			
60	Formed wire spring				1	
- 8	Coupling cpl.				1	pcs
9	Hex socket head cap screw		Designation: DIN 912		4	
			Length: 20			
			Thread: M6			
10	Shaft pin		Diameter: 5		1	
			Length: 26			
10a	Coupling half				2	
26	Staybolt		Length: 259		4	pcs
			Thread: M12			
36a	Washer		Designation: DIN 125 A		4	pcs
			Inner diameter: 13			
			Outer diameter: 24			
			Thickness: 2,5			
55	Outer sleeve				1	pcs
66a	Nut		Thread: M12		4	pcs
- 80	Chamber stack				1	pcs
	Impeller				13	
-	Guide vane cpl.				1	
	Plate					
50a	Guide vane					
50b	Top plate					
- 4	Chamber cpl.				10	
	Guide vane					
	Plate					
	Retainer					
	Intermediate chamber					

Position	Description	Annotation	Classification data	Part No.	Count	Unit
	Vane					
45	Neck ring					
65	Retainer					
- 4a	Chamber w. bearing cpl.				2	
	Guide vane					
	Retainer for bearing					
	Bearing bush					
	Retainer					
	Intermediate chamber					
	Vane					
45	Neck ring					
65	Retainer					
- 5a	Chamber cpl.				1	
	Retainer					
	Intermediate chamber					
	Vane					
45	Neck ring					
65	Retainer					
36	Lock nut		Thread: M8		1	
47a	Bearing ring, rotating				2	
51	Shaft, spline, cpl.				1	
64a	Spacing pipe				10	
64a	Spacing pipe		Inner diameter: 12,85		2	
			Outer diameter: 15,85			
			Length: 4,50			
64c	Clamp, splined		Inner diameter: 8,5		1	
			Outer diameter: 15			
66	Wedge lock washer				1	
- 105	Shaft seal		Material type: HQQV		1	pcs
	O-ring				1	
	O-ring				1	
	O-ring				1	
	Seal driver, upper				1	
	Seal driver, lower				1	
	Spacer ring				1	
	Pipe				1	
	Plug				1	
	Plug				1	
	Compression spring				1	
	Socket set screw				3	
103	Seal ring, stationary				1	
105	Seal ring, rotating				1	
109	O-ring				1	
113	Driver				1	