

PROJECT: _____	UNIT TAG: _____	QUANTITY: _____
REPRESENTATIVE: _____	TYPE OF SERVICE: _____	DATE: _____
ENGINEER: _____	SUBMITTED BY: _____	DATE: _____
CONTRACTOR: _____	APPROVED BY: _____	DATE: _____
	ORDER NO.: _____	DATE: _____

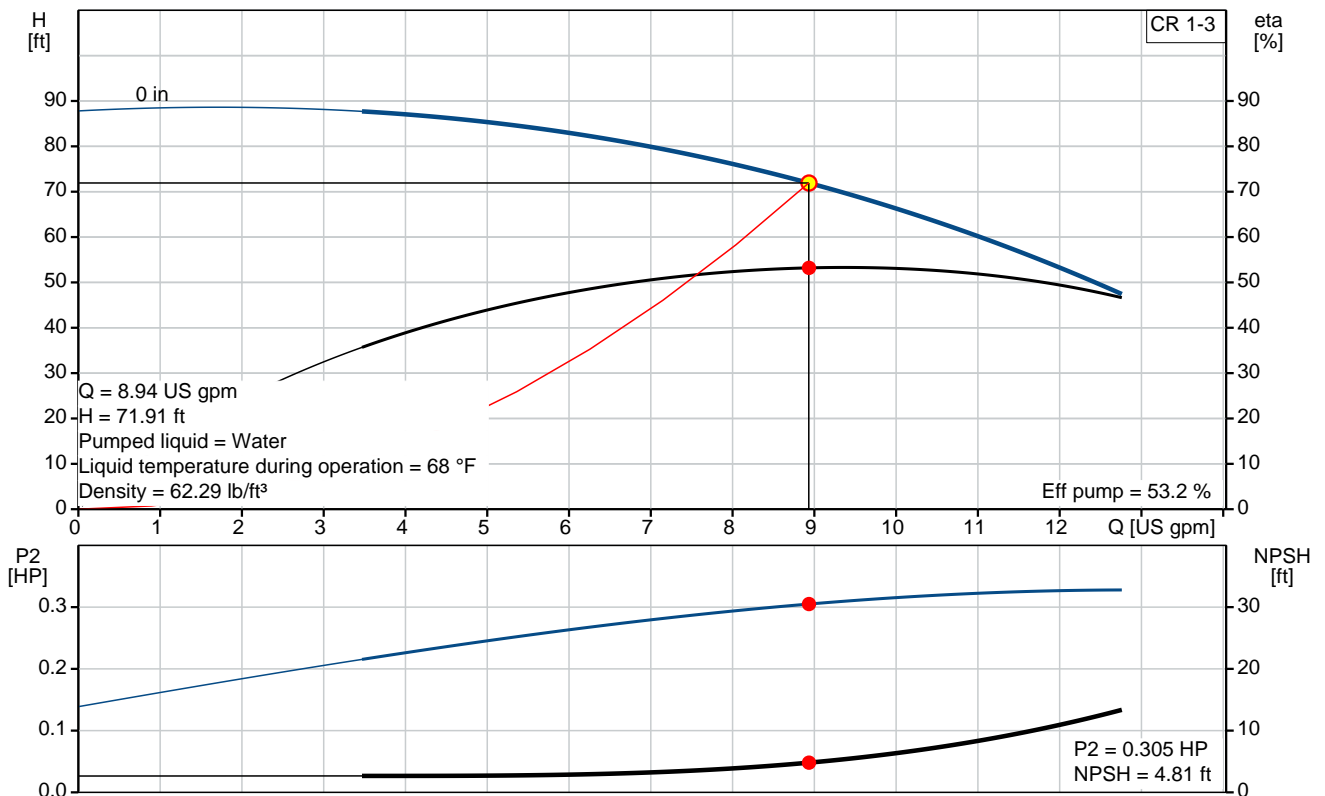
CR 1-3

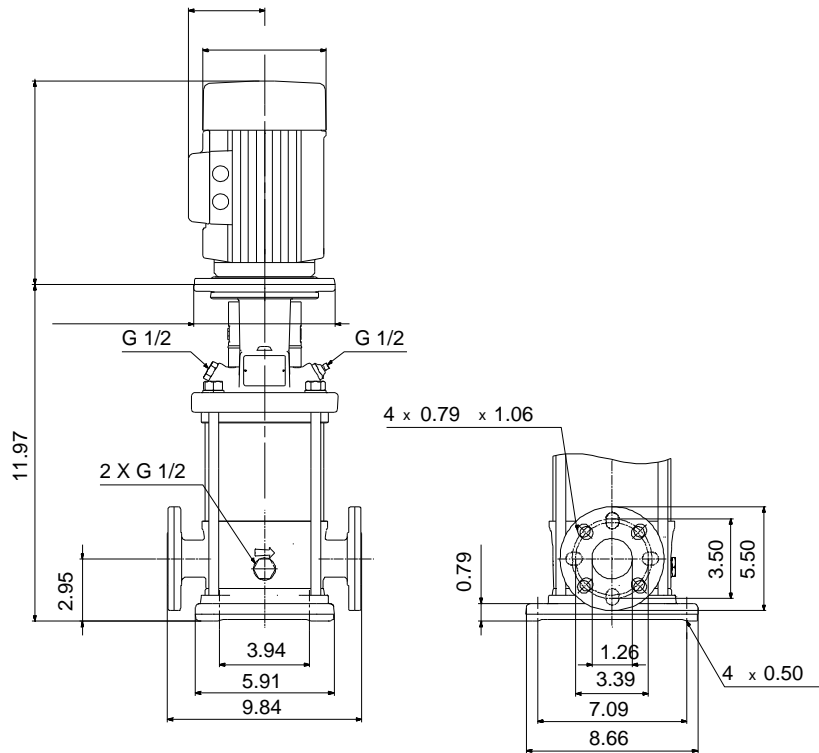


Vertical, multistage centrifugal pump with suction and discharge ports on the same level. The pump head and base are in cast iron. All other wetted parts are in stainless steel (EN 1.4301)(AISI 304)

Product photo could vary from the actual product

Conditions of Service		Pump Data		Motor Data
Flow:	8.94 US gpm	Max pressure at stated temperature:	363 psi / 250 °F	Main frequency: 60 Hz
Head:	71.91 ft	Approvals:	NSF61	
Efficiency:	_____	Shaft seal:	HQQE	
Liquid:	Water	Product number:	96082092	
Temperature:	68 °F			
NPSH required:	4.81 ft			
Viscosity:	_____			
Specific Gravity:	1.000			





Materials:

Base:	Cast iron EN 1561 EN-GJL-200 ASTM A48-25B
Impeller:	Stainless steel AISI 304 EN 1.4301
Material code:	A
Code for rubber:	E

Tender Text



Product photo could vary from the actual product

Product No.: [96082092](#)

CR 1-3 A-FGJ-A-E-HQQE

Vertical, non-self-priming, multistage, in-line, centrifugal pump for installation in pipe systems and mounting on a foundation.

The pump has the following characteristics:

- Impellers and intermediate chambers are made of
- The shaft seal has assembly length according to EN 12756.
- Power transmission is via cast iron split coupling.

Controls:

Frequency converter: NONE

Liquid:

Pumped liquid: Water
Liquid temperature during operation: 68 °F
Density: 62.29 lb/ft³

Technical:

Speed for pump data: 3425 rpm
Actual calculated flow: 8.94 US gpm
Resulting head of the pump: 71.91 ft
Pump orientation: Vertical
Shaft seal arrangement: Single
Code for shaft seal: HQQE
Approvals on nameplate: NSF61
Curve tolerance: ISO9906:2012 3B

Materials:

Base: Cast iron
EN 1561 EN-GJL-200
ASTM A48-25B
Impeller: Stainless steel
EN 1.4301
AISI 304
Bearing material: SIC

Installation:

Max pressure at stated temperature: 363 psi / 250 °F



Company name:

Created by:

Phone:

Date:

2/20/2018


Type of connection: 363 psi / -4 °F
DIN / ANSI / JIS
Size of inlet connection: DN 25/32
Size of suction port: 1 1/4 inch
Size of outlet connection: DN 25/32
Size of outlet port: 1 1/4 inch
Pressure rating: PN 25
Flange size for motor: 56C
Flange rating inlet: 250 lb

Electrical data:

Motor standard: NEMA
Power (P2) required by pump: 0.33 HP

Others:

Net weight: 39.9 lb
Gross weight: 50.9 lb
Shipping volume: 4.94 ft³

Position	Count	Description
	1	<p>CR 1-3 A-FGJ-A-E-HQQE</p>  <p style="text-align: right;">Product photo could vary from the actual product</p> <p>Product No.: 96082092 Vertical, non-self-priming, multistage, in-line, centrifugal pump for installation in pipe systems and mounting on a foundation.</p> <p>The pump has the following characteristics:</p> <ul style="list-style-type: none"> - Impellers and intermediate chambers are made of - The shaft seal has assembly length according to EN 12756. - Power transmission is via cast iron split coupling. <p>Controls: Frequency converter: NONE</p> <p>Liquid: Pumped liquid: Water Liquid temperature during operation: 68 °F Density: 62.29 lb/ft³</p> <p>Technical: Speed for pump data: 3425 rpm Actual calculated flow: 8.94 US gpm Resulting head of the pump: 71.91 ft Pump orientation: Vertical Shaft seal arrangement: Single Code for shaft seal: HQQE Approvals on nameplate: NSF61 Curve tolerance: ISO9906:2012 3B</p> <p>Materials: Base: Cast iron EN 1561 EN-GJL-200 ASTM A48-25B Impeller: Stainless steel EN 1.4301 AISI 304 Bearing material: SIC</p> <p>Installation: Max pressure at stated temperature: 363 psi / 250 °F 363 psi / -4 °F Type of connection: DIN / ANSI / JIS</p>



Company name:

Created by:

Phone:

Date:

2/20/2018

Position	Count	Description
		Size of inlet connection: DN 25/32 Size of suction port: 1 1/4 inch Size of outlet connection: DN 25/32 Size of outlet port: 1 1/4 inch Pressure rating: PN 25 Flange size for motor: 56C Flange rating inlet: 250 lb Electrical data: Motor standard: NEMA Power (P2) required by pump: 0.33 HP Others: Net weight: 39.9 lb Gross weight: 50.9 lb Shipping volume: 4.94 ft ³



Company name:

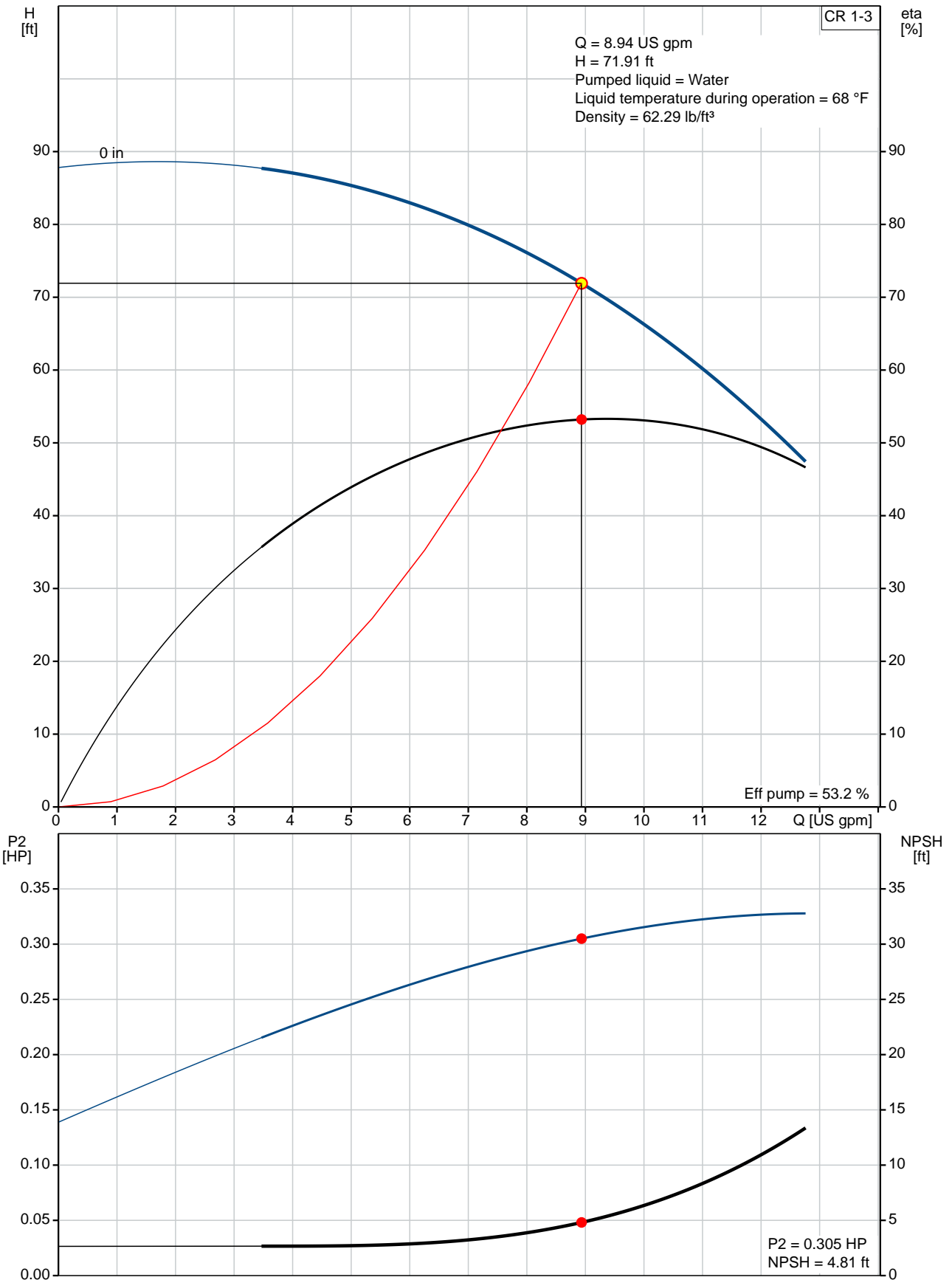
Created by:

Phone:

Date:

2/20/2018

96082092 CR 1-3 60 Hz



Description	Value
General information:	
Product name:	CR 1-3 A-FGJ-A-E-HQQE
Product No.:	96082092
EAN:	5700395168303
Technical:	
Speed for pump data:	3425 rpm
Actual calculated flow:	8.94 US gpm
Resulting head of the pump:	71.91 ft
Stages:	3
Impellers:	3
Low NPSH:	N
Pump orientation:	Vertical
Shaft seal arrangement:	Single
Code for shaft seal:	HQQE
Approvals on nameplate:	NSF61
Curve tolerance:	ISO9906:2012 3B
Pump version:	A
Model:	A

Materials:	
Base:	Cast iron
	EN 1561 EN-GJL-200
	ASTM A48-25B
Impeller:	Stainless steel
	EN 1.4301
	AISI 304
Material code:	A
Code for rubber:	E
Bearing material:	SIC

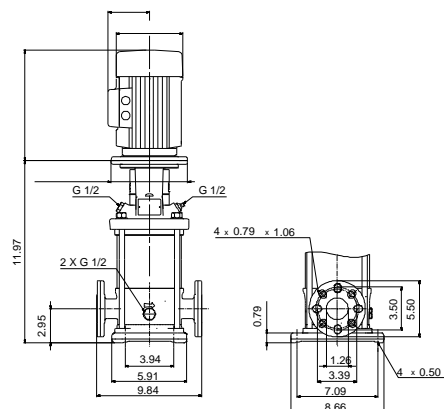
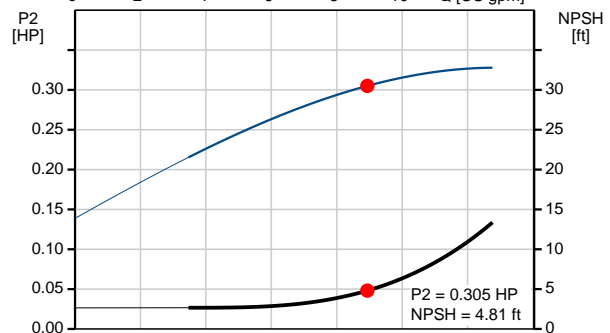
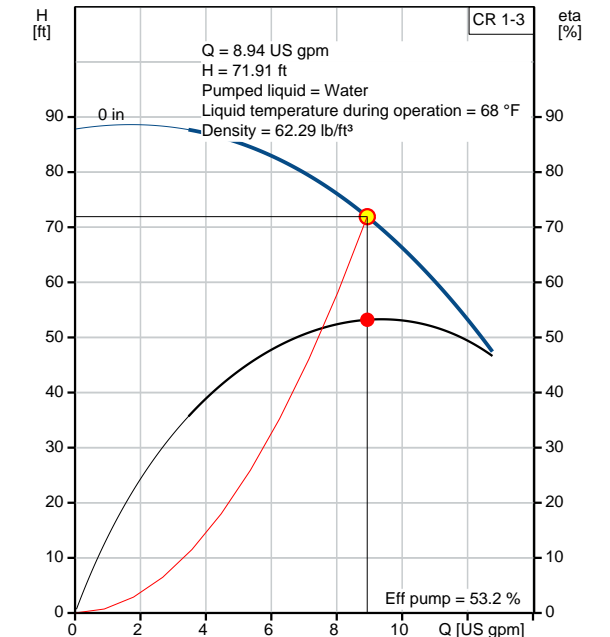
Installation:	
Max pressure at stated temperature:	363 psi / 250 °F
	363 psi / -4 °F
Type of connection:	DIN / ANSI / JIS
Connect code:	FGJ
Size of inlet connection:	DN 25/32
Size of suction port:	1 1/4 inch
Size of outlet connection:	DN 25/32
Size of outlet port:	1 1/4 inch
Pressure rating:	PN 25
Flange size for motor:	56C
Flange rating inlet:	250 lb

Liquid:	
Pumped liquid:	Water
Liquid temperature during operation:	68 °F
Density:	62.29 lb/ft ³

Electrical data:	
Motor standard:	NEMA
Power (P2) required by pump:	0.33 HP

Controls:	
Frequency converter:	NONE

Others:	
Net weight:	39.9 lb
Gross weight:	50.9 lb





Company name:

Created by:

Phone:

Date:

2/20/2018

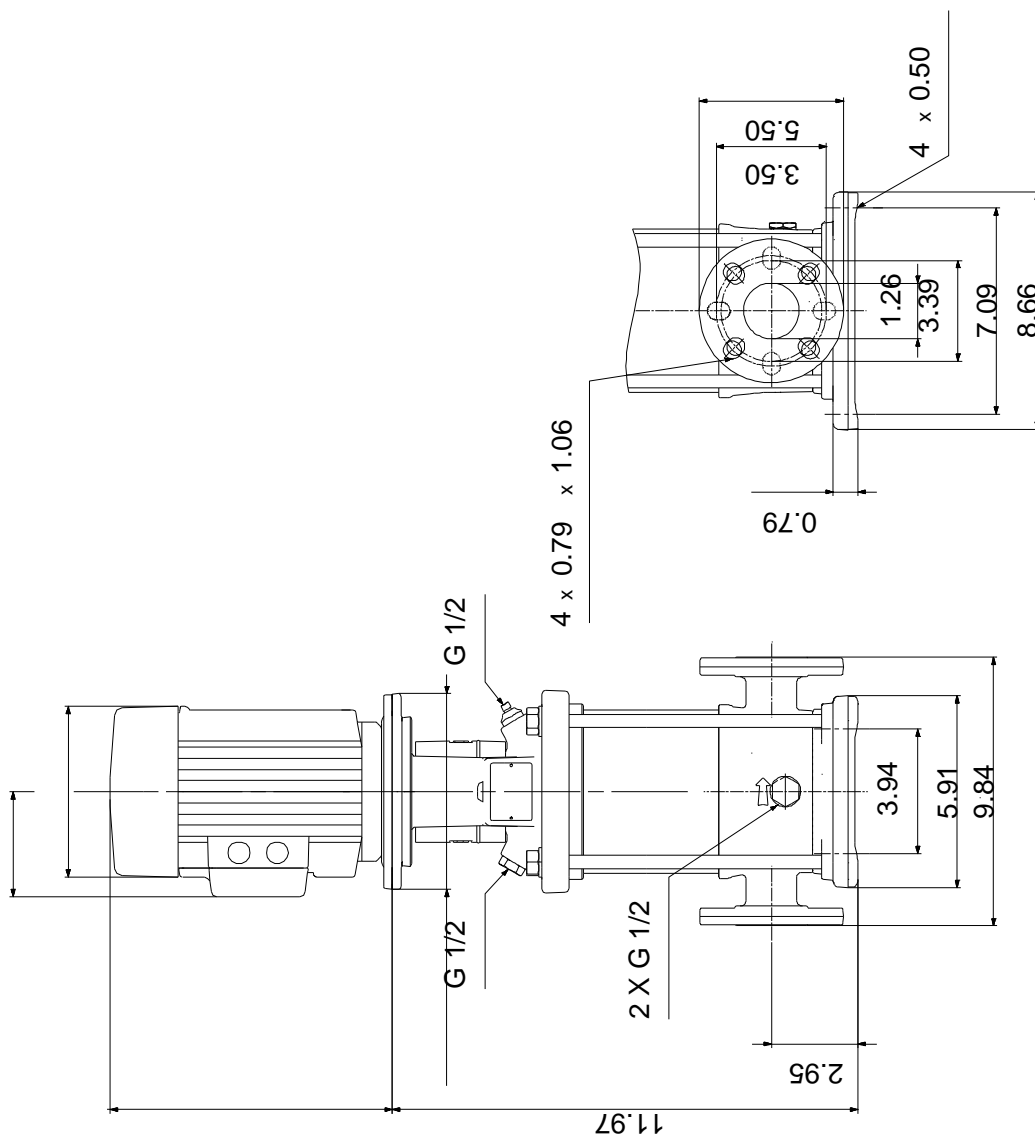
Description

Value

Shipping volume:

4.94 ft³

96082092 CR 1-3 60 Hz



Note! All units are in [mm] unless otherwise stated.
 Disclaimer: This simplified dimensional drawing does not show all details.



Company name:

Created by:

Phone:

Date: 2/20/2018

Order Data:

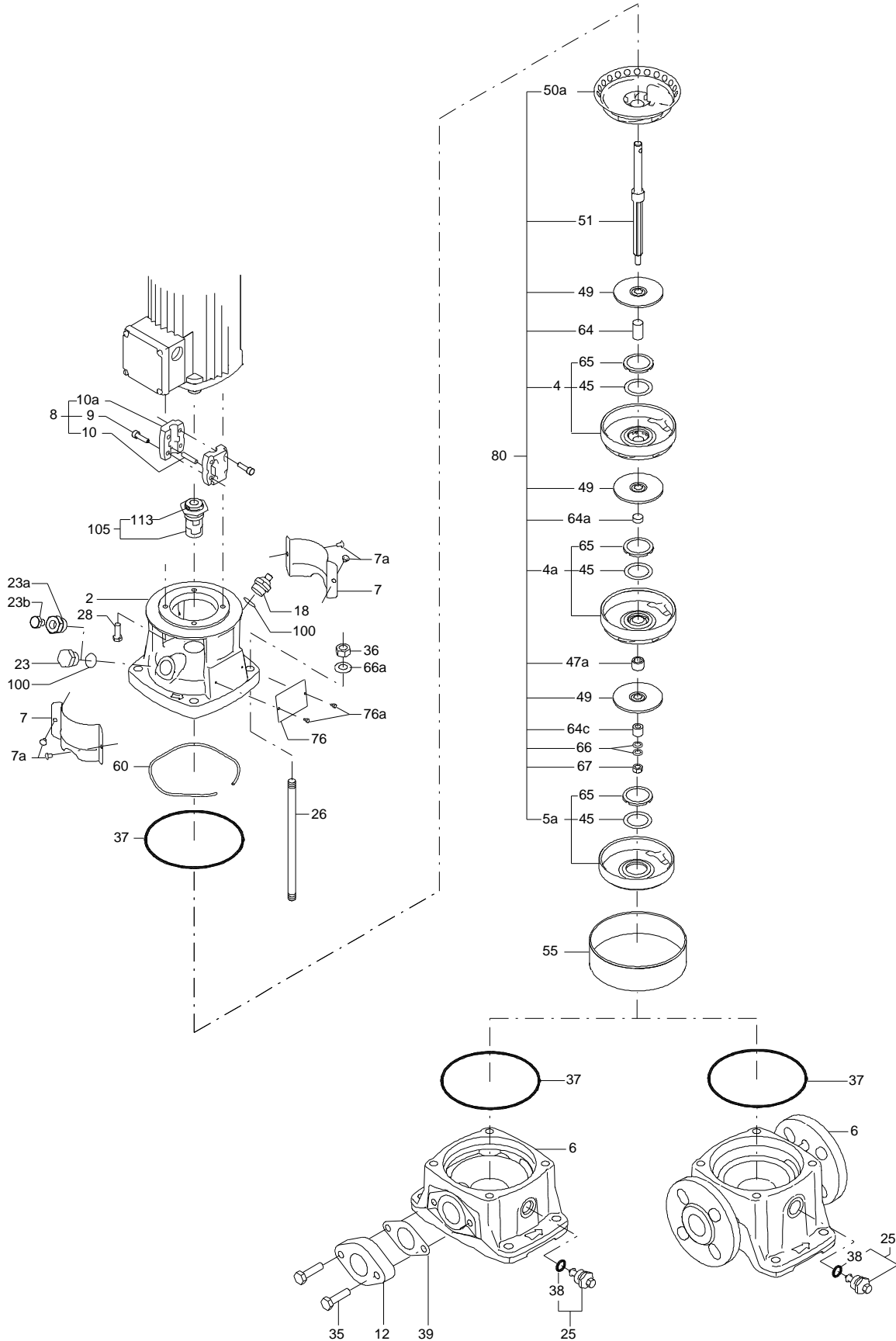
Product name: CR 1-3 A-FGJ-A-E-HQQE

Amount: 1

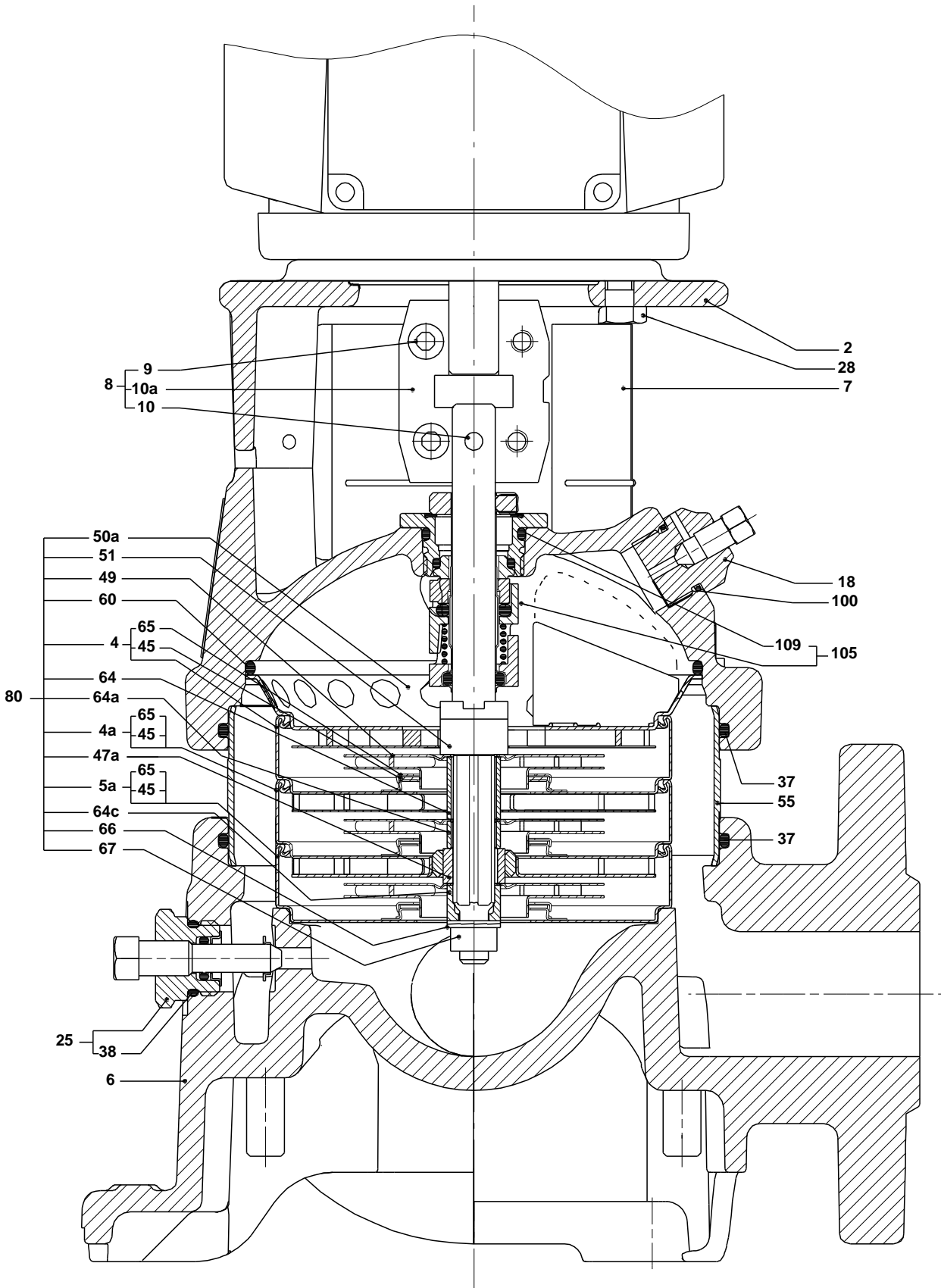
Product No.: 96082092

Total: Price on request

Exploded view (tm020210 4100)



Sectional drawing (tm020211 4100)



Parts list CR 1-3, Prod number 96082092

Valid from 1.1.2004 (0401)

Position	Description	Annotation	Classification data	Part No.	Count	Unit
-	Base cpl.				1	pcs
6	Base				1	
-	Sealing parts				1	pcs
- 25	Drain plug w/bypass valve				1	
38	O-ring		Diameter: 16,3 Material type: EPDM Thickness: 2,4			
37	O-ring				2	
100	O-ring		Diameter: 16,3 Material type: EPDM Thickness: 2,4		2	
- 2	Pump head cpl.				1	pcs
2	Pump head				1	
7	Coupling guard				2	
7a	Thread cutting screw				4	
- 18	Air vent screw				1	
	Plug					
	Spindle					
- 25	Drain plug				1	
23	Pipe plug					
25	Drain plug					
28	Hex head cap screw		Length: 25 Thread: UNC 3/8"		4	
60	Formed wire spring				1	
+ 8	Coupling cpl.				1	pcs
26	Staybolt		Length: 79 Thread: M12		4	pcs
36a	Washer		Designation: DIN 125 A Inner diameter: 13 Outer diameter: 24 Thickness: 2,5		4	pcs
55	Outer sleeve				1	pcs
66a	Nut		Thread: M12		4	pcs
+ 80	Chamber stack		Bearing type: SILICON CARBIDE		1	pcs
- 105	Shaft seal		Material type: HQQE		1	pcs
	O-ring				1	
	O-ring				1	
	Seal driver, upper				1	
	Seal driver, lower				1	
	Spacer ring				1	
	Pipe				1	
	Plug				1	
	Plug				1	
	Compression spring				1	
	Socket set screw				1	
102	O-ring		Diameter: 22,00 Material type: EPDM Thickness: 2,75		1	
103	Seal ring, stationary				1	
105	Seal ring, rotating				1	
107	O-ring				1	
113	Driver				1	