

PROJECT: _____	UNIT TAG: _____	QUANTITY: _____
REPRESENTATIVE: _____	TYPE OF SERVICE: _____	DATE: _____
ENGINEER: _____	SUBMITTED BY: _____	DATE: _____
CONTRACTOR: _____	APPROVED BY: _____	DATE: _____
	ORDER NO.: _____	DATE: _____

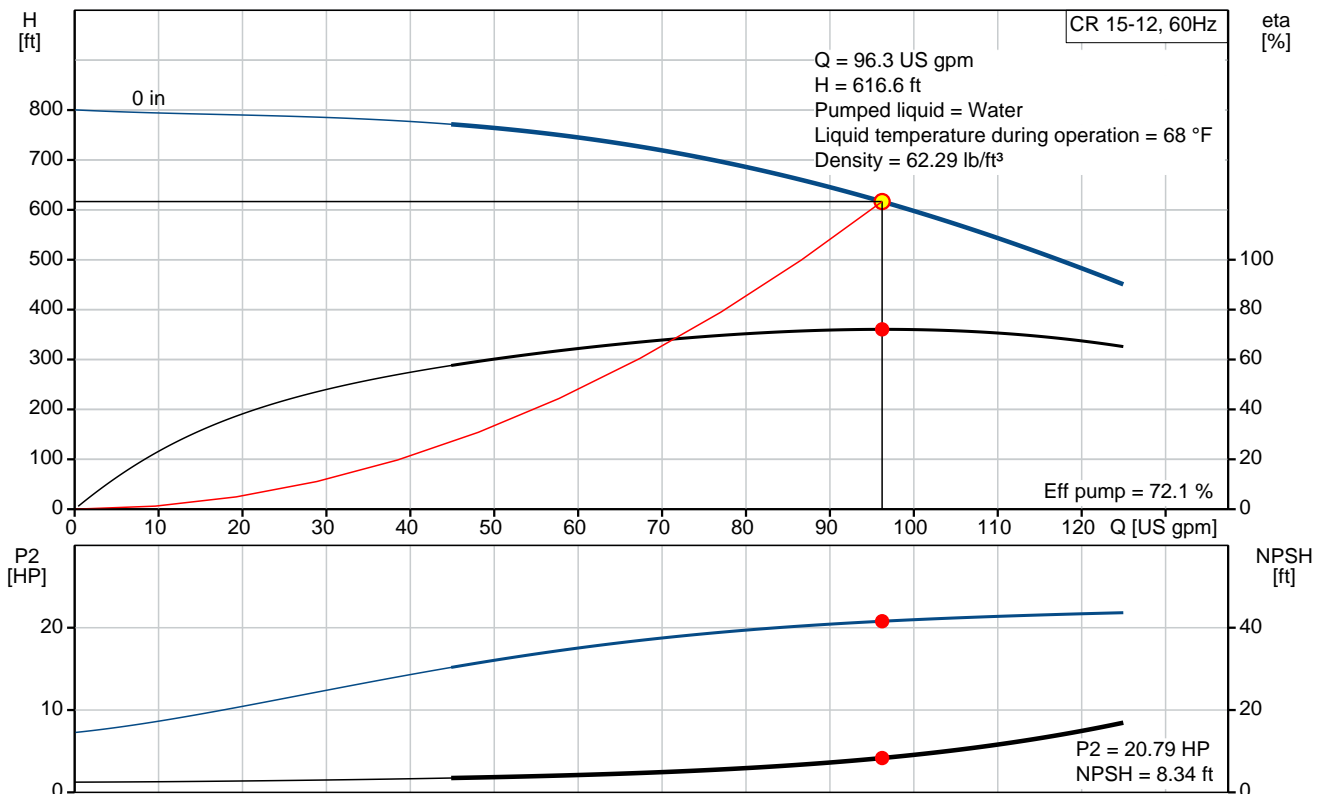


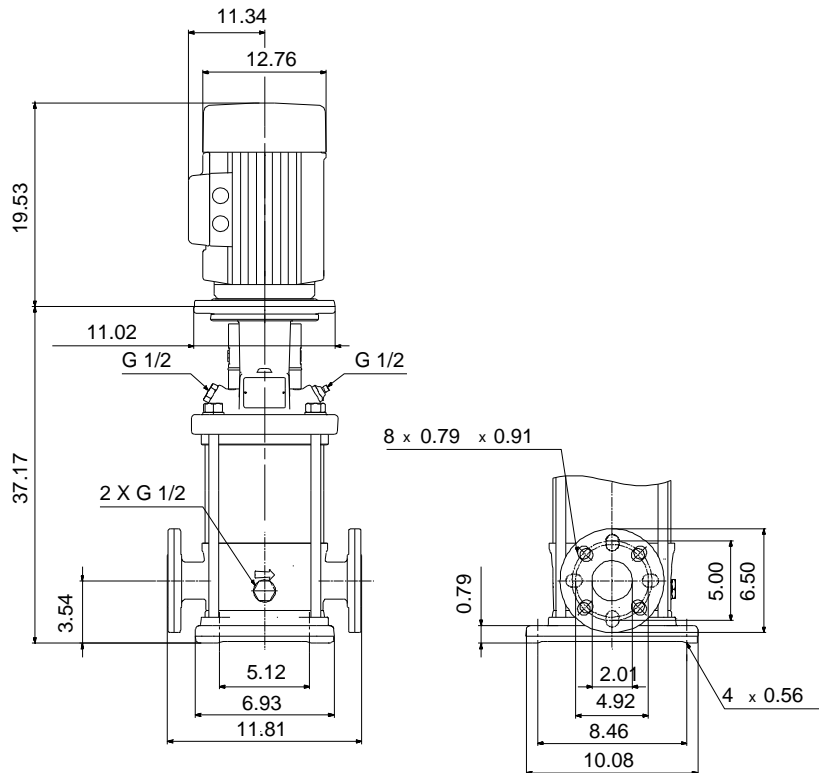
CR 15-12

Vertical, multistage centrifugal pump with suction and discharge ports on the same level. The pump head and base are in cast iron. All other wetted parts are in stainless steel (EN 1.4301)(AISI 304)

Product photo could vary from the actual product

Conditions of Service		Pump Data		Motor Data	
Flow:	96.3 US gpm	Max pressure at stated temperature:	363 psi / 250 °F	Rated power - P2:	25 HP
Head:	616.6 ft	Maximum ambient temperature:	104 °F	Rated voltage:	230/460 V
Efficiency:	_____	Approvals:	CURUS	Main frequency:	60 Hz
Liquid:	Water	Shaft seal:	HQQE	Enclosure class:	54 Dust/Splashing
Temperature:	68 °F	Product number:	96523761	Insulation class:	F
NPSH required:	8.34 ft			Motor protection:	NONE
Viscosity:	_____			Motor type:	BALDOR
Specific Gravity:	1.000				





Materials:

Base: Cast iron
 EN 1561 EN-GJL-200
 ASTM A48-25B

Impeller: Stainless steel
 AISI 304
 EN 1.4301

Material code: A
 Code for rubber: E

Tender Text



Product No.: [96523761](#)

CR 15-12 A-GJ-A-E-HQQE

Vertical, non-self-priming, multistage, in-line, centrifugal pump for installation in pipe systems and mounting on a foundation.

The pump has the following characteristics:

- Impellers and intermediate chambers are made of
- The shaft seal has assembly length

according to EN 12756.

- Power transmission is via cast iron split coupling.

The motor is a 3-phase AC motor.

Controls:

Frequency converter: NONE

Liquid:

Pumped liquid: Water

Liquid temperature during operation: 68 °F

Density: 62.29 lb/ft³

Technical:

Speed for pump data: 3521 rpm

Actual calculated flow: 96.3 US gpm

Resulting head of the pump: 616.6 ft

Pump orientation: Vertical

Shaft seal arrangement: Single

Code for shaft seal: HQQE

Approvals on nameplate: CURUS

Curve tolerance: ISO9906:2012 3B

Materials:

Base: Cast iron
EN 1561 EN-GJL-200
ASTM A48-25B

Impeller: Stainless steel
EN 1.4301

Bearing material: AISI 304
SIC

Installation:

Maximum ambient temperature: 104 °F

Max pressure at stated temperature: 363 psi / 250 °F
363 psi / -4 °F

Type of connection: ANSI / JIS

Size of inlet connection: DN 50



Company name:

Created by:

Phone:

Date:

2/20/2018


Size of suction port: 2 inch
Size of outlet connection: DN 50
Size of outlet port: 2 inch
Pressure rating: PN 25
Flange size for motor: 284TC
Flange rating inlet: 300 lb

Electrical data:

Motor standard: NEMA
Motor type: BALDOR
IE Efficiency class: NEMA Premium / IE3 60Hz
Rated power - P2: 25 HP
Power (P2) required by pump: 25 HP
Main frequency: 60 Hz
Rated voltage: 3 x 230/460 V
Service factor: 1.15
Rated current: 56/28 A
Rated speed: 3530 rpm
Number of poles: 2
Enclosure class (IEC 34-5): 54 Dust/Splashing
Insulation class (IEC 85): F

Others:

Net weight: 490 lb
Gross weight: 604 lb
Shipping volume: 21.9 ft³

Position	Count	Description
	1	<p>CR 15-12 A-GJ-A-E-HQQE</p>  <p>Product No.: 96523761 Vertical, non-self-priming, multistage, in-line, centrifugal pump for installation in pipe systems and mounting on a foundation.</p> <p>The pump has the following characteristics:</p> <ul style="list-style-type: none"> - Impellers and intermediate chambers are made of - The shaft seal has assembly length according to EN 12756. - Power transmission is via cast iron split coupling. <p>The motor is a 3-phase AC motor.</p> <p>Controls: Frequency converter: NONE</p> <p>Liquid: Pumped liquid: Water Liquid temperature during operation: 68 °F Density: 62.29 lb/ft³</p> <p>Technical: Speed for pump data: 3521 rpm Actual calculated flow: 96.3 US gpm Resulting head of the pump: 616.6 ft Pump orientation: Vertical Shaft seal arrangement: Single Code for shaft seal: HQQE Approvals on nameplate: CURUS Curve tolerance: ISO9906:2012 3B</p> <p>Materials: Base: Cast iron EN 1561 EN-GJL-200 ASTM A48-25B Impeller: Stainless steel EN 1.4301 AISI 304 Bearing material: SIC</p> <p>Installation: Maximum ambient temperature: 104 °F Max pressure at stated temperature: 363 psi / 250 °F 363 psi / -4 °F</p> <p>Type of connection: ANSI / JIS Size of inlet connection: DN 50 Size of suction port: 2 inch</p>



Company name:

Created by:

Phone:

Date:

2/20/2018

Position	Count	Description
		Size of outlet connection: DN 50 Size of outlet port: 2 inch Pressure rating: PN 25 Flange size for motor: 284TC Flange rating inlet: 300 lb
		Electrical data: Motor standard: NEMA Motor type: BALDOR IE Efficiency class: NEMA Premium / IE3 60Hz Rated power - P2: 25 HP Power (P2) required by pump: 25 HP Main frequency: 60 Hz Rated voltage: 3 x 230/460 V Service factor: 1.15 Rated current: 56/28 A Rated speed: 3530 rpm Number of poles: 2 Enclosure class (IEC 34-5): 54 Dust/Splashing Insulation class (IEC 85): F
		Others: Net weight: 490 lb Gross weight: 604 lb Shipping volume: 21.9 ft ³



Company name:

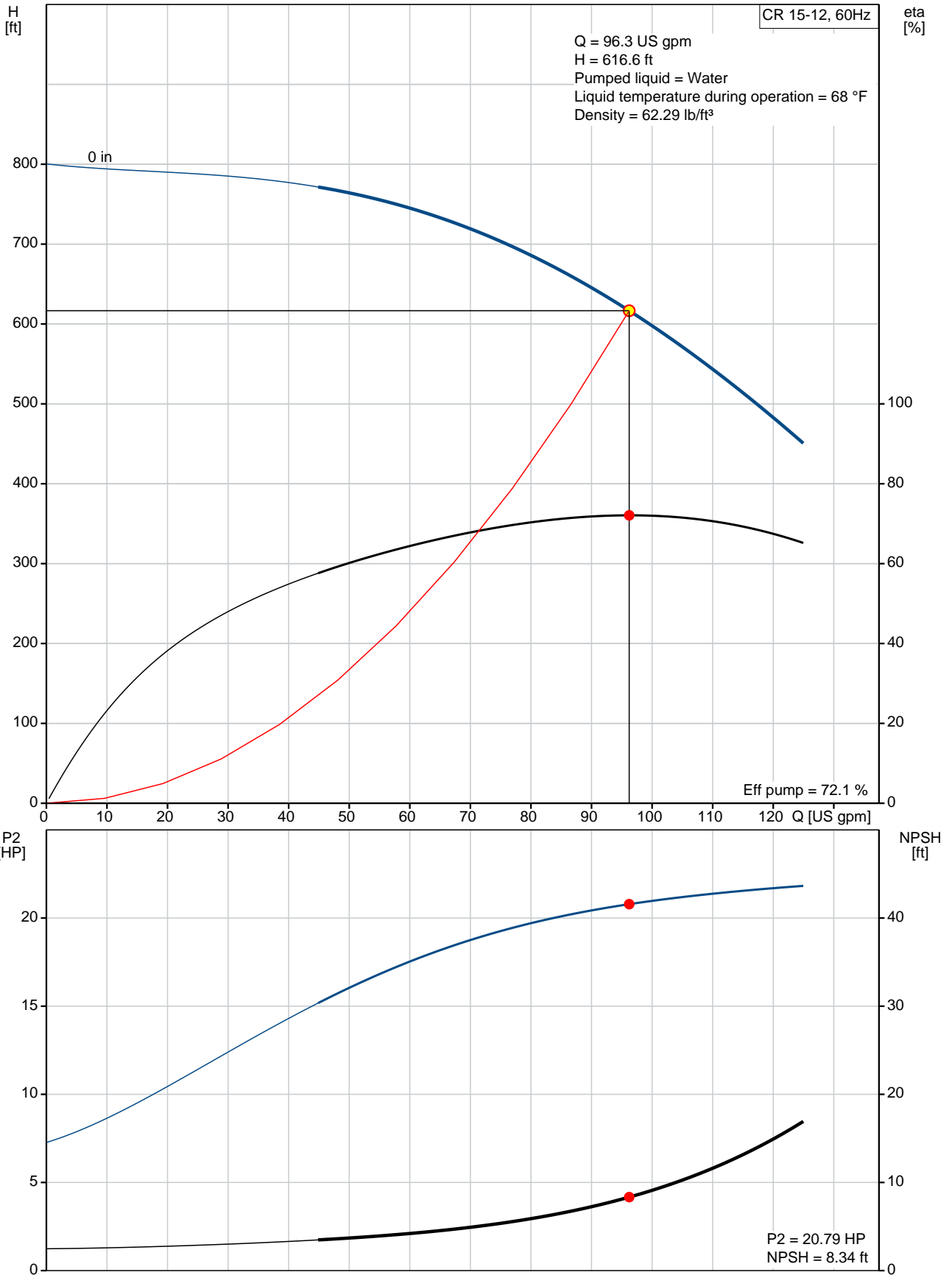
Created by:

Phone:

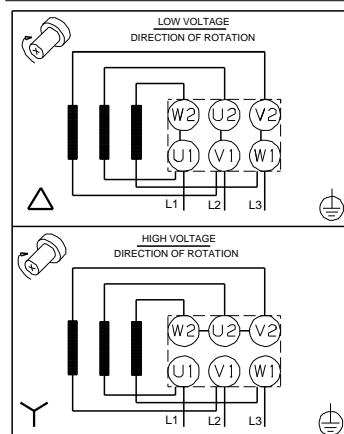
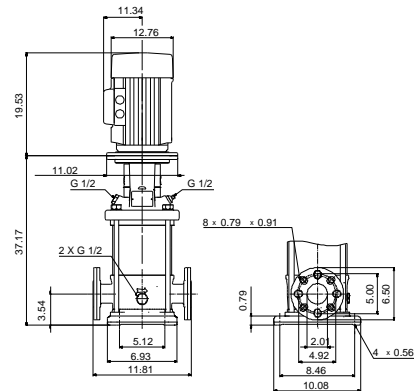
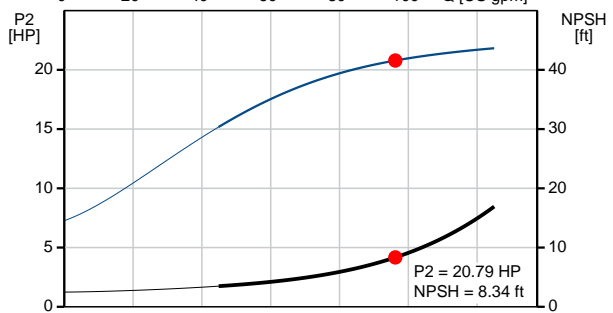
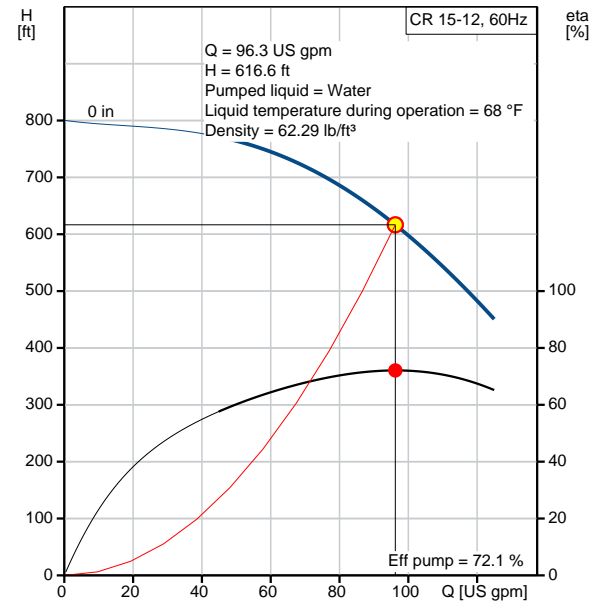
Date:

2/20/2018

96523761 CR 15-12 60 Hz



Description	Value
General information:	
Product name:	CR 15-12 A-GJ-A-E-HQQE
Product No.:	96523761
EAN:	5700396910710
Technical:	
Speed for pump data:	3521 rpm
Actual calculated flow:	96.3 US gpm
Resulting head of the pump:	616.6 ft
Stages:	12
Impellers:	12
Low NPSH:	N
Pump orientation:	Vertical
Shaft seal arrangement:	Single
Code for shaft seal:	HQQE
Approvals on nameplate:	CURUS
Curve tolerance:	ISO9906:2012 3B
Pump version:	A
Model:	A
Cooling:	TEFC
Materials:	
Base:	Cast iron EN 1561 EN-GJL-200 ASTM A48-25B
Impeller:	Stainless steel EN 1.4301 AISI 304
Material code:	A
Code for rubber:	E
Bearing material:	SIC
Installation:	
Maximum ambient temperature:	104 °F
Max pressure at stated temperature:	363 psi / 250 °F 363 psi / -4 °F
Type of connection:	ANSI / JIS
Connect code:	GJ
Size of inlet connection:	DN 50
Size of suction port:	2 inch
Size of outlet connection:	DN 50
Size of outlet port:	2 inch
Pressure rating:	PN 25
Flange size for motor:	284TC
Flange rating inlet:	300 lb
Liquid:	
Pumped liquid:	Water
Liquid temperature during operation:	68 °F
Density:	62.29 lb/ft ³
Electrical data:	
Motor standard:	NEMA
Motor type:	BALDOR
IE Efficiency class:	NEMA Premium / IE3 60Hz
Rated power - P2:	25 HP
Power (P2) required by pump:	25 HP
Main frequency:	60 Hz
Rated voltage:	3 x 230/460 V





Company name:

Created by:

Phone:

Date: 2/20/2018

Description	Value
Service factor:	1.15
Rated current:	56/28 A
Load current:	64.4/32.2 A
Rated speed:	3530 rpm
Number of poles:	2
Enclosure class (IEC 34-5):	54 Dust/Splashing
Insulation class (IEC 85):	F
Motor protection:	NONE
Motor Number:	85600H26

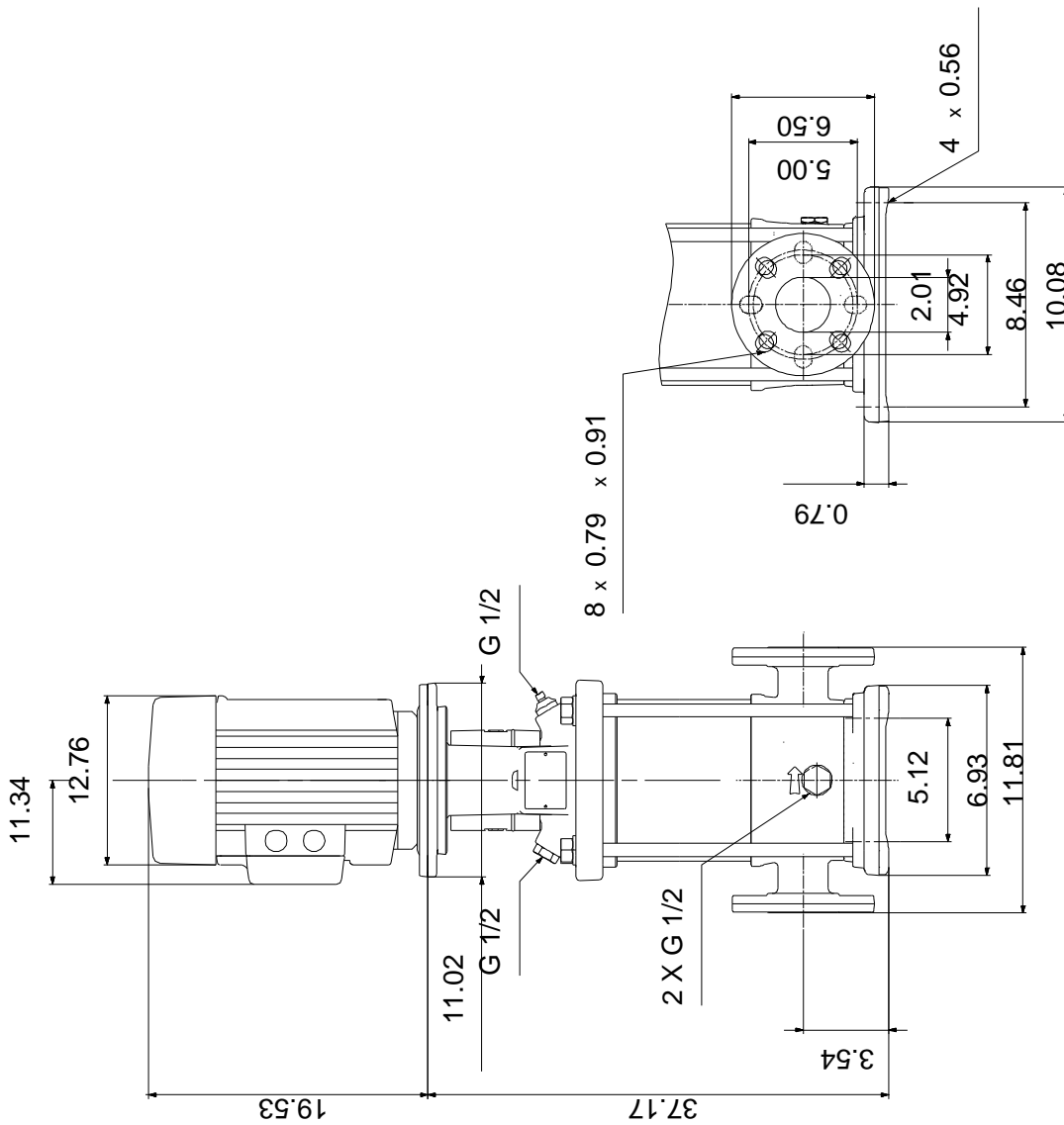
Controls:

Frequency converter:	NONE
----------------------	------

Others:

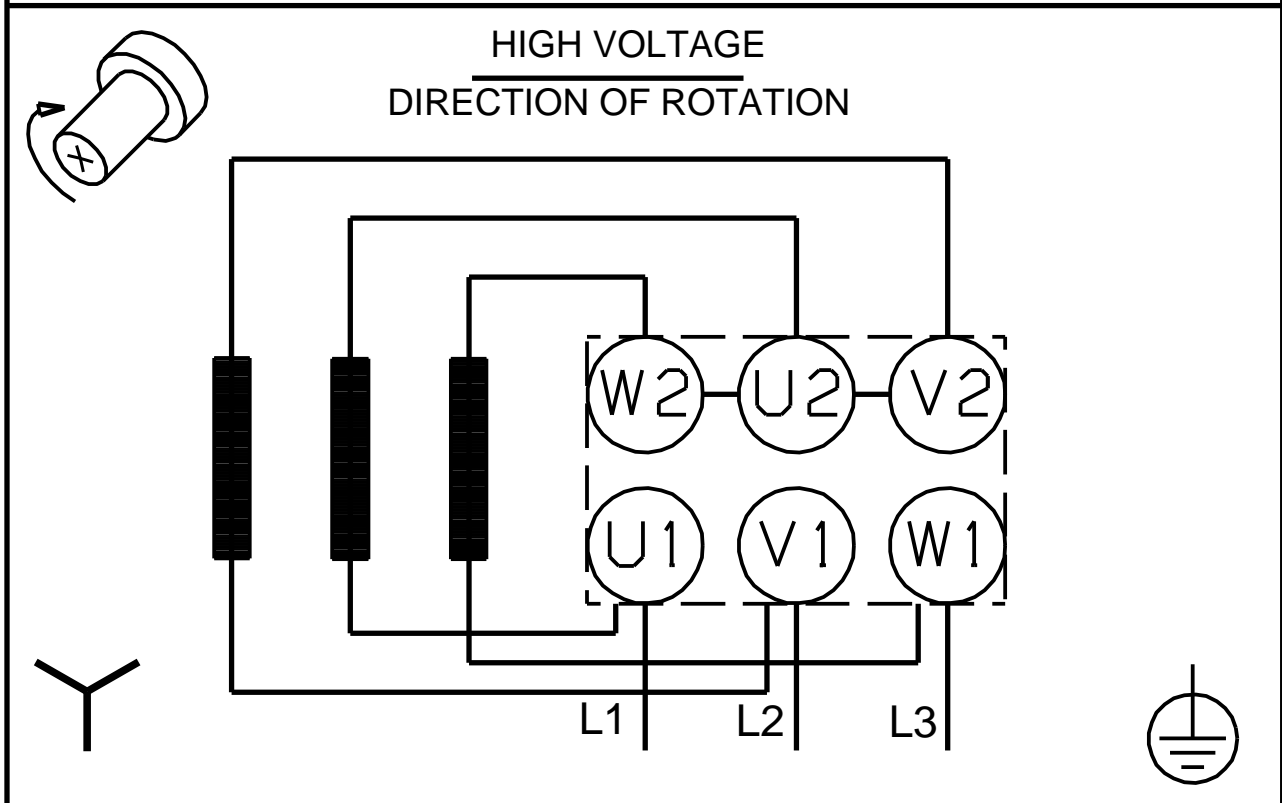
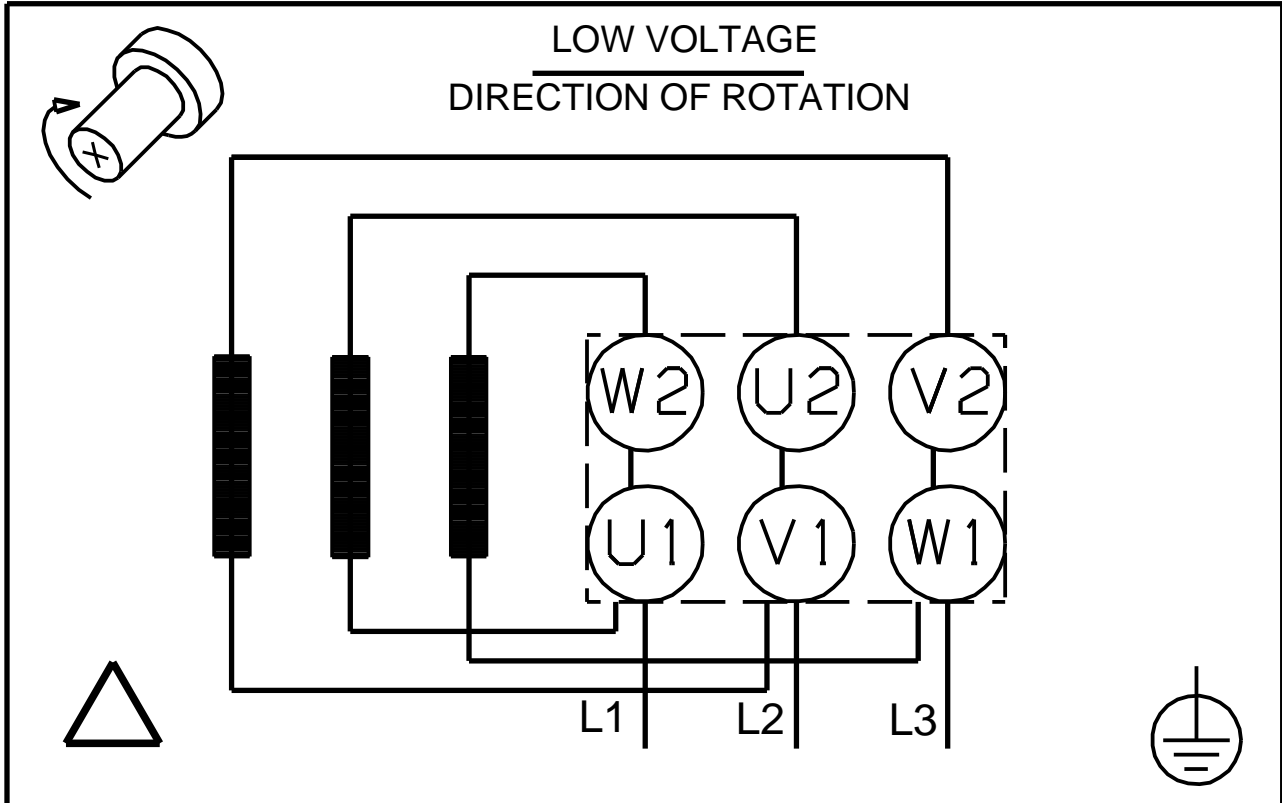
Net weight:	490 lb
Gross weight:	604 lb
Shipping volume:	21.9 ft ³

96523761 CR 15-12 60 Hz



Note! All units are in [mm] unless otherwise stated.
Disclaimer: This simplified dimensional drawing does not show all details.

96523761 CR 15-12 60 Hz



All units are [mm] unless otherwise presented.



Company name:

Created by:

Phone:

Date:

2/20/2018

Order Data:

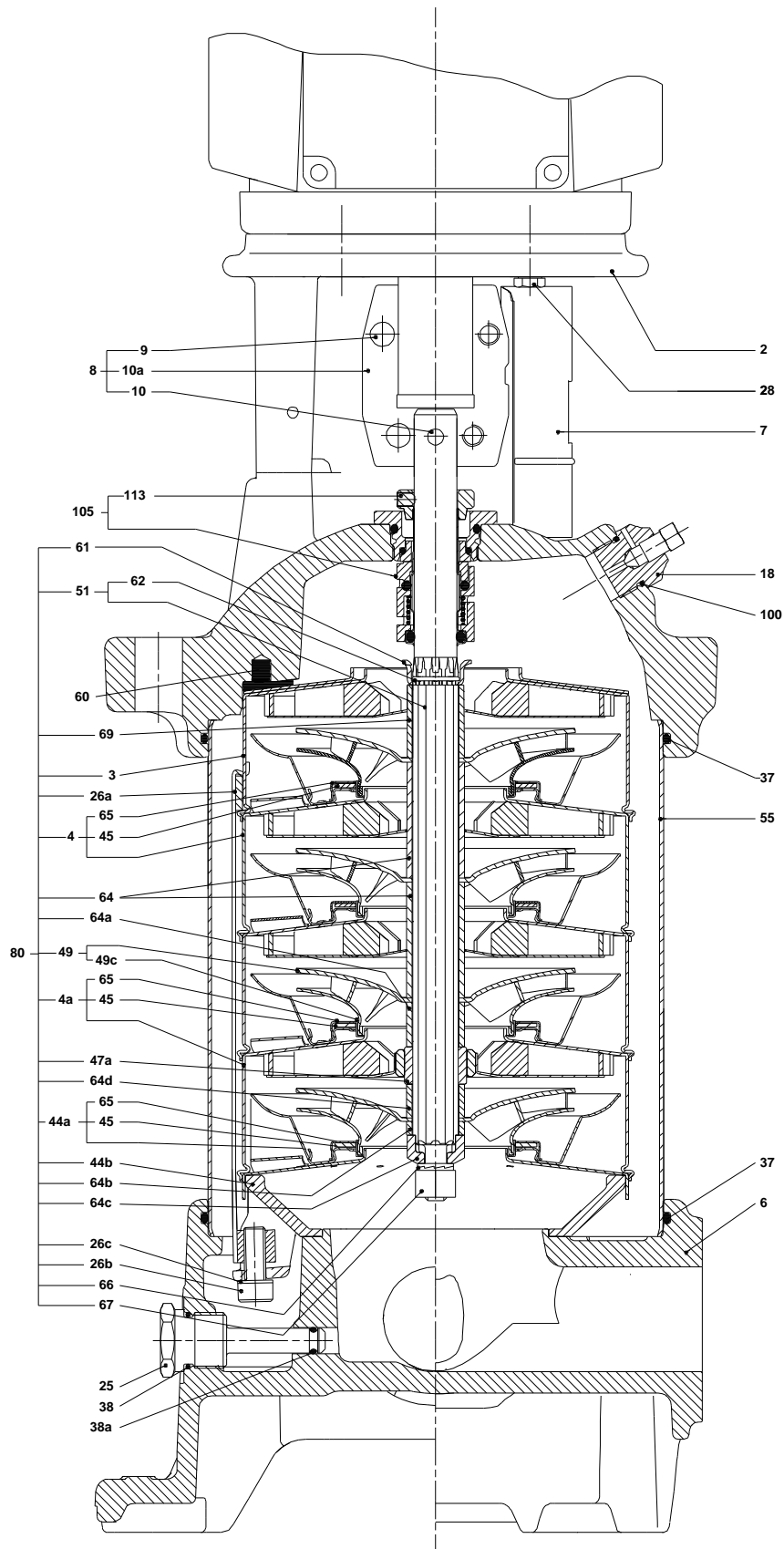
Product name: CR 15-12 A-GJ-A-E-HQQE

Amount: 1

Product No.: 96523761

Total: Price on request

Sectional drawing



**Parts list CR 15-12, Prod number 96523761
Valid from 1.6.2016 (1623)**

Position	Description	Annotation	Classification data	Part No.	Count	Unit
	Motor				1	pcs
-	Base cpl.				1	pcs
6	Base				1	
25	Drain plug				1	
-	Pump head cpl.				1	pcs
2	Pump head				1	
7	Coupling guard				2	
7.a	Thread cutting screw				4	
-	18	Air vent screw			1	
	Plug					
	Spindle					
23	Pipe plug				1	
28	Hex head cap screw		Length: 25 Thread: UNC 1/2"		4	
-	Rubber module				1	pcs
20	Spring				4	
37	O-ring				2	
38	O-ring		Diameter: 16,3 Material type: EPDM Thickness: 2,4		1	
38a	O-ring		Diameter: 5,3 Material type: EPDM Thickness: 2,4		1	
100	O-ring		Diameter: 16,3 Material type: EPDM Thickness: 2,4		2	
-	8	Coupling	Dimension: D41,3/D1 Type: SPACER		1	pcs
9	Hex socket head cap screw		Designation: DIN 912 Length: 25 Thread: M10		4	
10	Shaft pin		Diameter: 5 Length: 26		1	
-	10a	Coupling			1	
	Cable clip					
10a	Coupling half					
26	Staybolt				4	pcs
36	Hex nut		Thread: M16		4	pcs
55	Outer sleeve				1	pcs
66a	Washer		Designation: DIN 125 A Inner diameter: 17 Outer diameter: 30 Thickness: 3		4	pcs
-	80	Chamber stack			1	pcs
-	Intermediate chamber cpl.				1	
	Guide vane					
	Front plate					
3	Top intermediate chamber					
-	4	Intermediate chamber cpl.			8	
45	Neck ring cpl.					
65	Retainer for upper seal ring					
-	4a	Intermediate chamber cpl.			3	
	Bearing plate					

Position	Description	Annotation	Classification data	Part No.	Count	Unit
	Bearing bush					
3a	Intermediate chamber					
45	Neck ring cpl.					
65	Retainer for upper seal ring					
26.b	Hex head screw				2	
26.c	Washer		Designation: DIN 125A		2	
			Inner diameter: 8,4			
			Outer diameter: 16			
			Thickness: 1,6			
26a	Strap cpl.				2	
36	Lock nut		Thread: M8		1	
- 44a	Inlet part cpl.				1	
45	Neck ring cpl.					
65	Retainer for upper seal ring					
47a	Bearing ring				3	
+ 49	Impeller cpl.				12	
- 51	Shaft, spline, cpl.				1	
	Bar					
62	Stop ring					
64b	Spacing bush		Length: 5.00		1	
64b	Spacing bush				3	
64c	Spacing pipe		Length: 12.7		1	
66	Wedge lock washer				1	
69	Spacing pipe		Length: 43.6		8	
69	Spacing pipe		Inner diameter: 17,5		3	
			Length: 17			
69	Spacing bush				1	
105	Shaft seal		Material type: HQQE		1	pcs