

PROJECT: _____	UNIT TAG: _____	QUANTITY: _____
REPRESENTATIVE: _____	TYPE OF SERVICE: _____	DATE: _____
ENGINEER: _____	SUBMITTED BY: _____	DATE: _____
CONTRACTOR: _____	APPROVED BY: _____	DATE: _____
	ORDER NO.: _____	DATE: _____

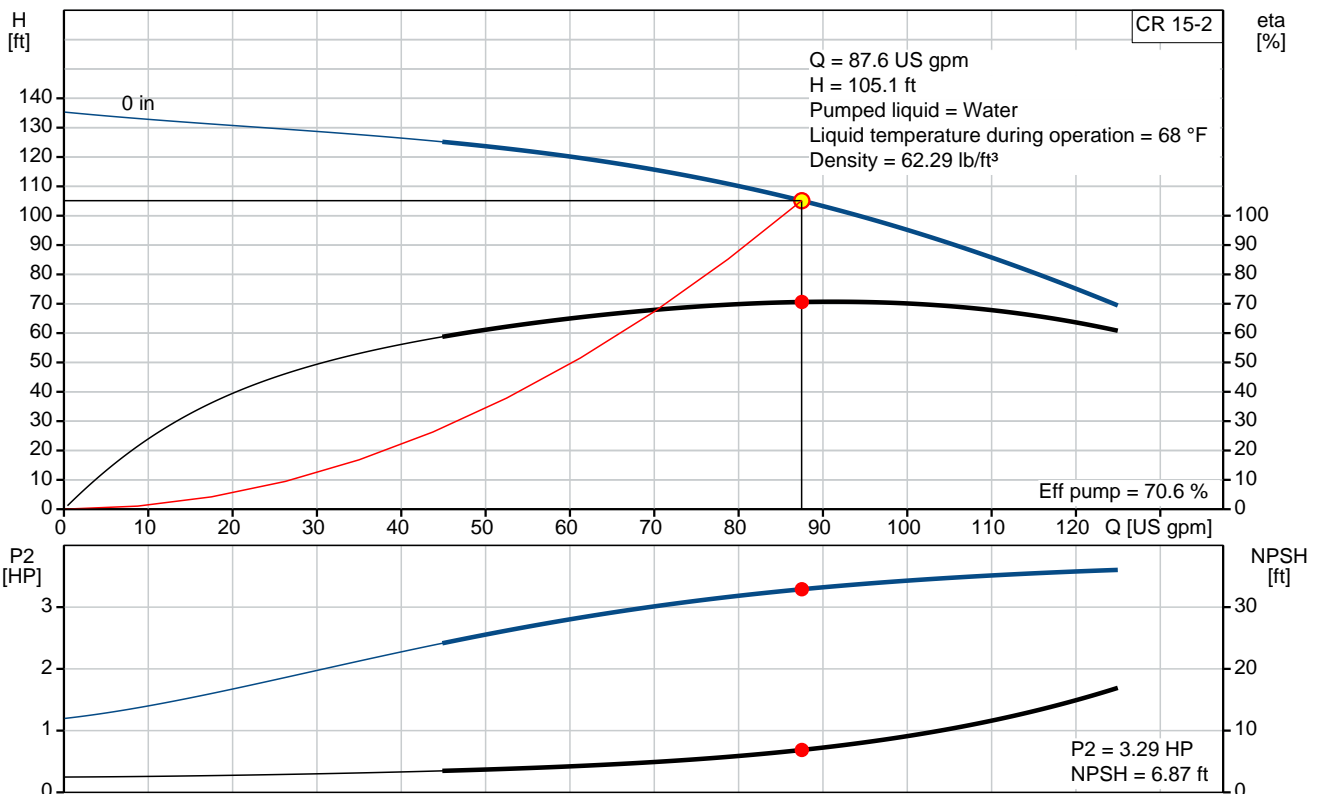


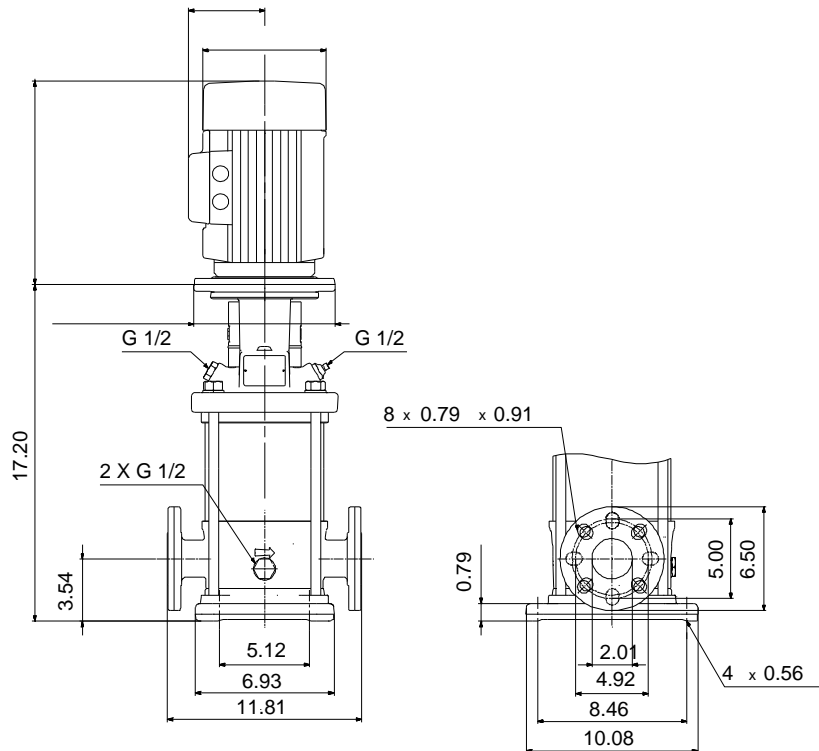
CR 15-2

Vertical, multistage centrifugal pump with suction and discharge ports on the same level. The pump head and base are in cast iron. All other wetted parts are in stainless steel (EN 1.4301)(AISI 304)

Product photo could vary from the actual product

Conditions of Service		Pump Data		Motor Data
Flow:	87.6 US gpm	Max pressure at stated temperature:	232 psi / 250 °F	Main frequency: 60 Hz
Head:	105.1 ft	Shaft seal:	HQQE	
Efficiency:	_____	Product number:	96126910	
Liquid:	Water			
Temperature:	68 °F			
NPSH required:	6.87 ft			
Viscosity:	_____			
Specific Gravity:	1.000			





Materials:

Base:	Cast iron EN 1561 EN-GJL-200 ASTM A48-25B
Impeller:	Stainless steel AISI 304 EN 1.4301
Material code:	A
Code for rubber:	E

Tender Text



Product photo could vary from the actual product

Product No.: [96126910](#)

CR 15-2 A-GJ-A-E-HQQE

Vertical, non-self-priming, multistage, in-line, centrifugal pump for installation in pipe systems and mounting on a foundation.

The pump has the following characteristics:

- Impellers and intermediate chambers are made of
- The shaft seal has assembly length according to EN 12756.
- Power transmission is via cast iron split coupling.

Controls:

Frequency converter: NONE

Liquid:

Pumped liquid: Water
Liquid temperature during operation: 68 °F
Density: 62.29 lb/ft³

Technical:

Speed for pump data: 3461 rpm
Actual calculated flow: 87.6 US gpm
Resulting head of the pump: 105.1 ft
Pump orientation: Vertical
Shaft seal arrangement: Single
Code for shaft seal: HQQE
Curve tolerance: ISO9906:2012 3B

Materials:

Base: Cast iron
EN 1561 EN-GJL-200
ASTM A48-25B
Impeller: Stainless steel
EN 1.4301
AISI 304
Bearing material: SIC

Installation:

Max pressure at stated temperature: 232 psi / 250 °F
232 psi / -4 °F



Company name:

Created by:

Phone:

Date:

2/20/2018


Type of connection: ANSI / JIS
Size of inlet connection: DN 50
Size of suction port: 2 inch
Size of outlet connection: DN 50
Size of outlet port: 2 inch
Pressure rating: PN 25
Flange size for motor: 182TC
Flange rating inlet: 300 lb

Electrical data:

Motor standard: NEMA

Others:

Net weight: 86 lb
Gross weight: 104 lb
Shipping volume: 4.94 ft³

Position	Count	Description
	1	<p>CR 15-2 A-GJ-A-E-HQQE</p>  <p>Product photo could vary from the actual product</p> <p>Product No.: 96126910</p> <p>Vertical, non-self-priming, multistage, in-line, centrifugal pump for installation in pipe systems and mounting on a foundation.</p> <p>The pump has the following characteristics:</p> <ul style="list-style-type: none"> - Impellers and intermediate chambers are made of - The shaft seal has assembly length according to EN 12756. - Power transmission is via cast iron split coupling. <p>Controls:</p> <p>Frequency converter: NONE</p> <p>Liquid:</p> <p>Pumped liquid: Water</p> <p>Liquid temperature during operation: 68 °F</p> <p>Density: 62.29 lb/ft³</p> <p>Technical:</p> <p>Speed for pump data: 3461 rpm</p> <p>Actual calculated flow: 87.6 US gpm</p> <p>Resulting head of the pump: 105.1 ft</p> <p>Pump orientation: Vertical</p> <p>Shaft seal arrangement: Single</p> <p>Code for shaft seal: HQQE</p> <p>Curve tolerance: ISO9906:2012 3B</p> <p>Materials:</p> <p>Base: Cast iron EN 1561 EN-GJL-200 ASTM A48-25B</p> <p>Impeller: Stainless steel EN 1.4301 AISI 304</p> <p>Bearing material: SIC</p> <p>Installation:</p> <p>Max pressure at stated temperature: 232 psi / 250 °F 232 psi / -4 °F</p> <p>Type of connection: ANSI / JIS</p> <p>Size of inlet connection: DN 50</p>



Company name:

Created by:

Phone:

Date:

2/20/2018

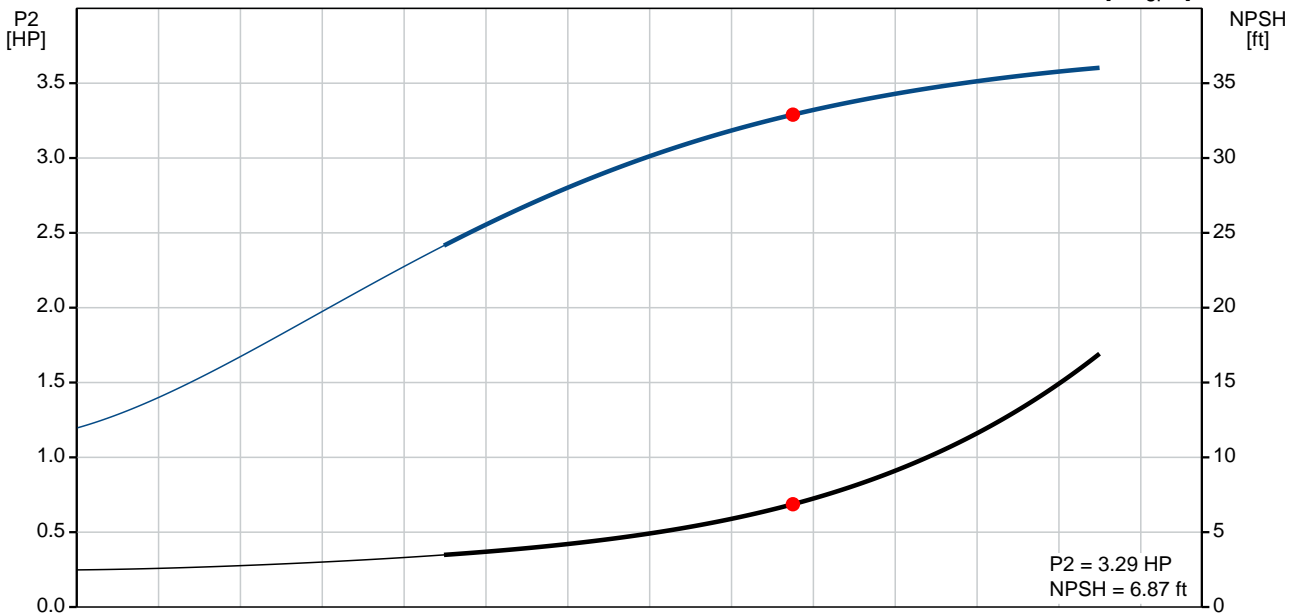
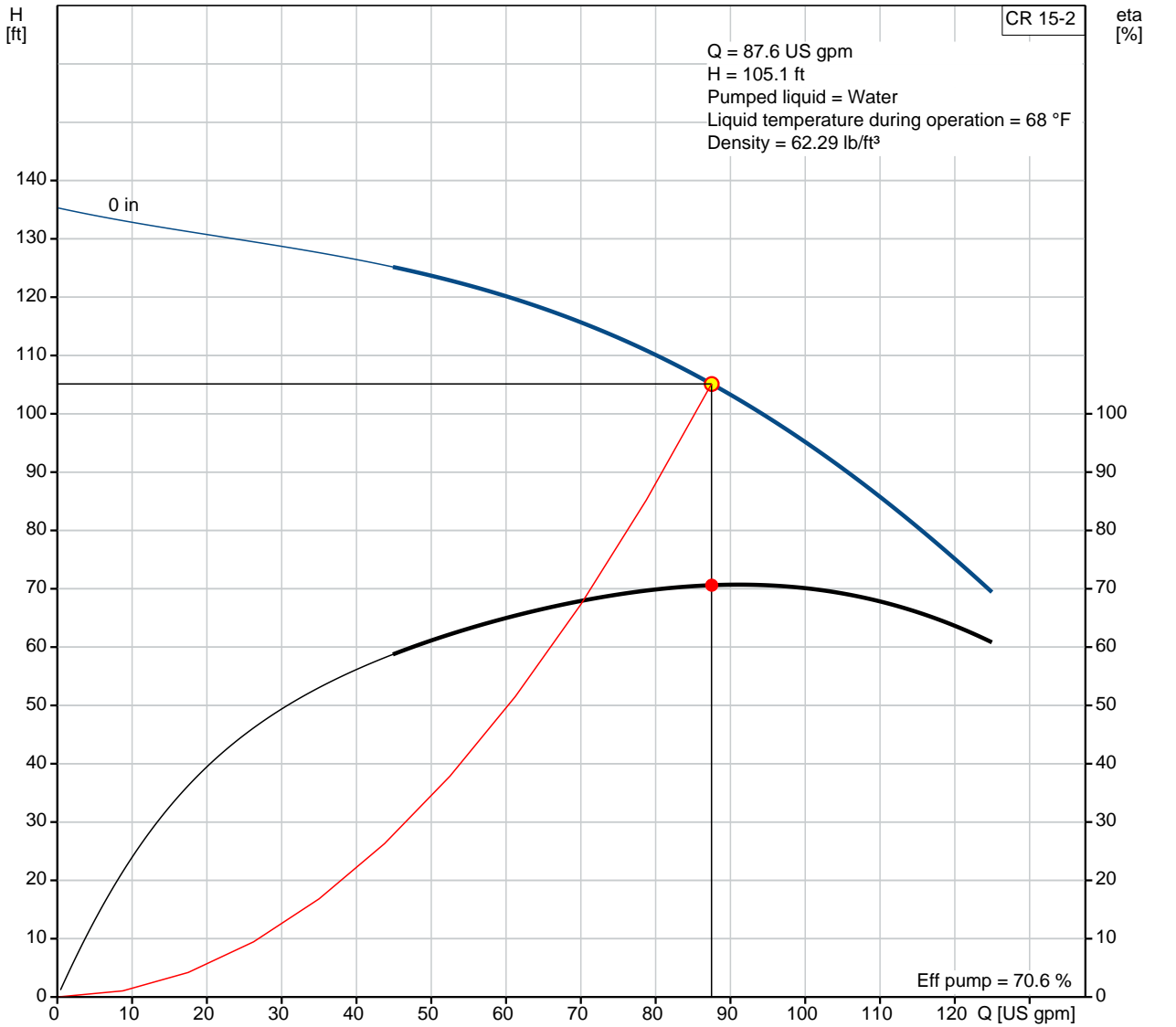
Position	Count	Description
		Size of suction port: 2 inch
		Size of outlet connection: DN 50
		Size of outlet port: 2 inch
		Pressure rating: PN 25
		Flange size for motor: 182TC
		Flange rating inlet: 300 lb
		Electrical data:
		Motor standard: NEMA
		Others:
		Net weight: 86 lb
		Gross weight: 104 lb
		Shipping volume: 4.94 ft ³



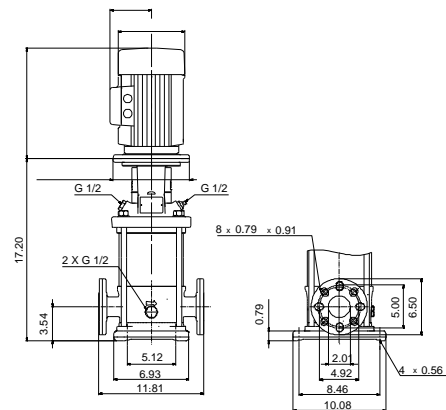
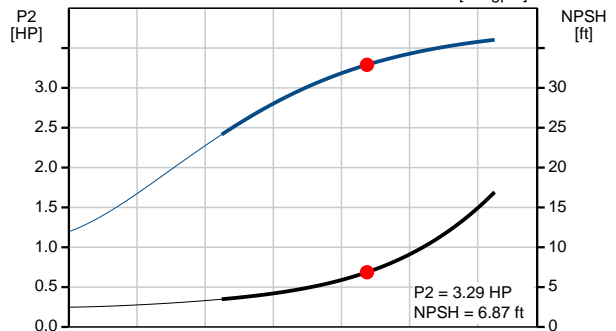
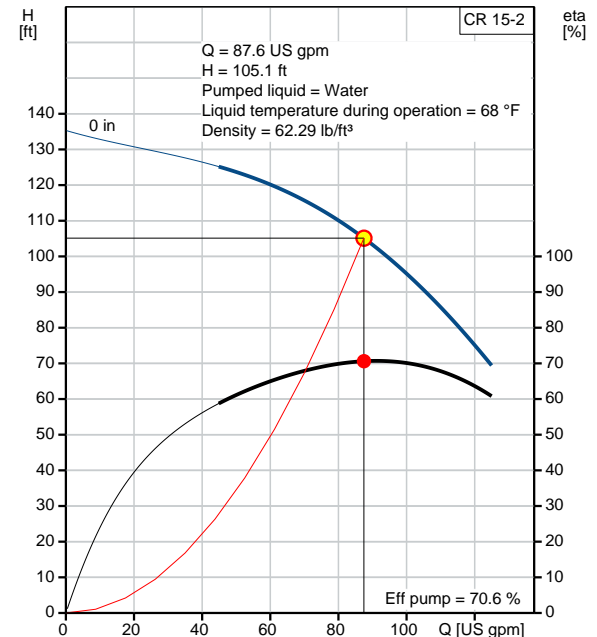
Company name:
Created by:
Phone:

Date: 2/20/2018

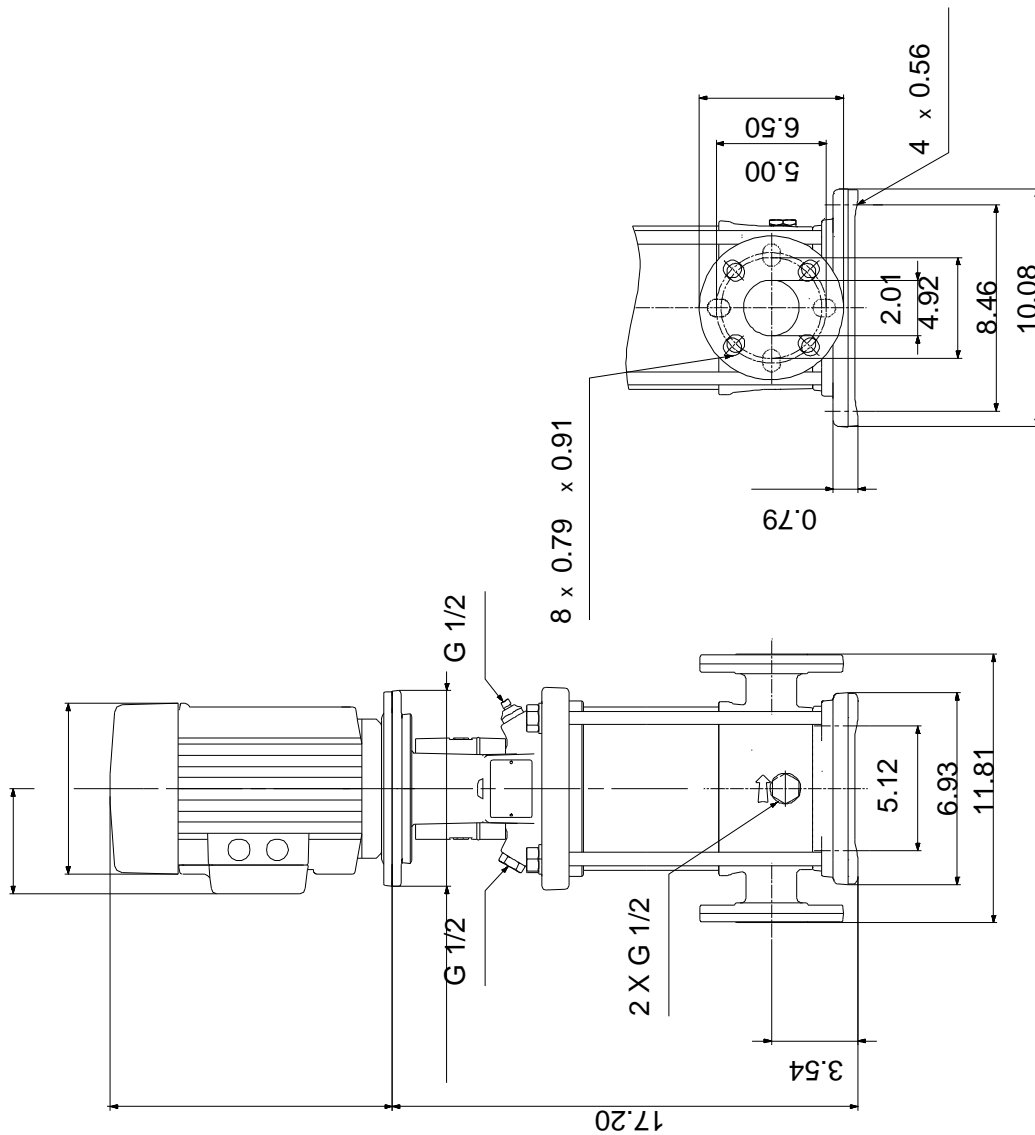
96126910 CR 15-2 60 Hz



Description	Value
General information:	
Product name:	CR 15-2 A-GJ-A-E-HQQE
Product No.:	96126910
EAN:	5700397000229
Technical:	
Speed for pump data:	3461 rpm
Actual calculated flow:	87.6 US gpm
Resulting head of the pump:	105.1 ft
Stages:	2
Impellers:	2
Low NPSH:	N
Pump orientation:	Vertical
Shaft seal arrangement:	Single
Code for shaft seal:	HQQE
Curve tolerance:	ISO9906:2012 3B
Pump version:	A
Model:	A
Materials:	
Base:	Cast iron EN 1561 EN-GJL-200 ASTM A48-25B
Impeller:	Stainless steel EN 1.4301 AISI 304
Material code:	A
Code for rubber:	E
Bearing material:	SIC
Installation:	
Max pressure at stated temperature:	232 psi / 250 °F 232 psi / -4 °F
Type of connection:	ANSI / JIS
Connect code:	GJ
Size of inlet connection:	DN 50
Size of suction port:	2 inch
Size of outlet connection:	DN 50
Size of outlet port:	2 inch
Pressure rating:	PN 25
Flange size for motor:	182TC
Flange rating inlet:	300 lb
Liquid:	
Pumped liquid:	Water
Liquid temperature during operation:	68 °F
Density:	62.29 lb/ft ³
Electrical data:	
Motor standard:	NEMA
Controls:	
Frequency converter:	NONE
Others:	
Net weight:	86 lb
Gross weight:	104 lb
Shipping volume:	4.94 ft ³



96126910 CR 15-2 60 Hz



Note! All units are in [mm] unless otherwise stated.
Disclaimer: This simplified dimensional drawing does not show all details.



Company name:

Created by:

Phone:

Date: 2/20/2018

Order Data:

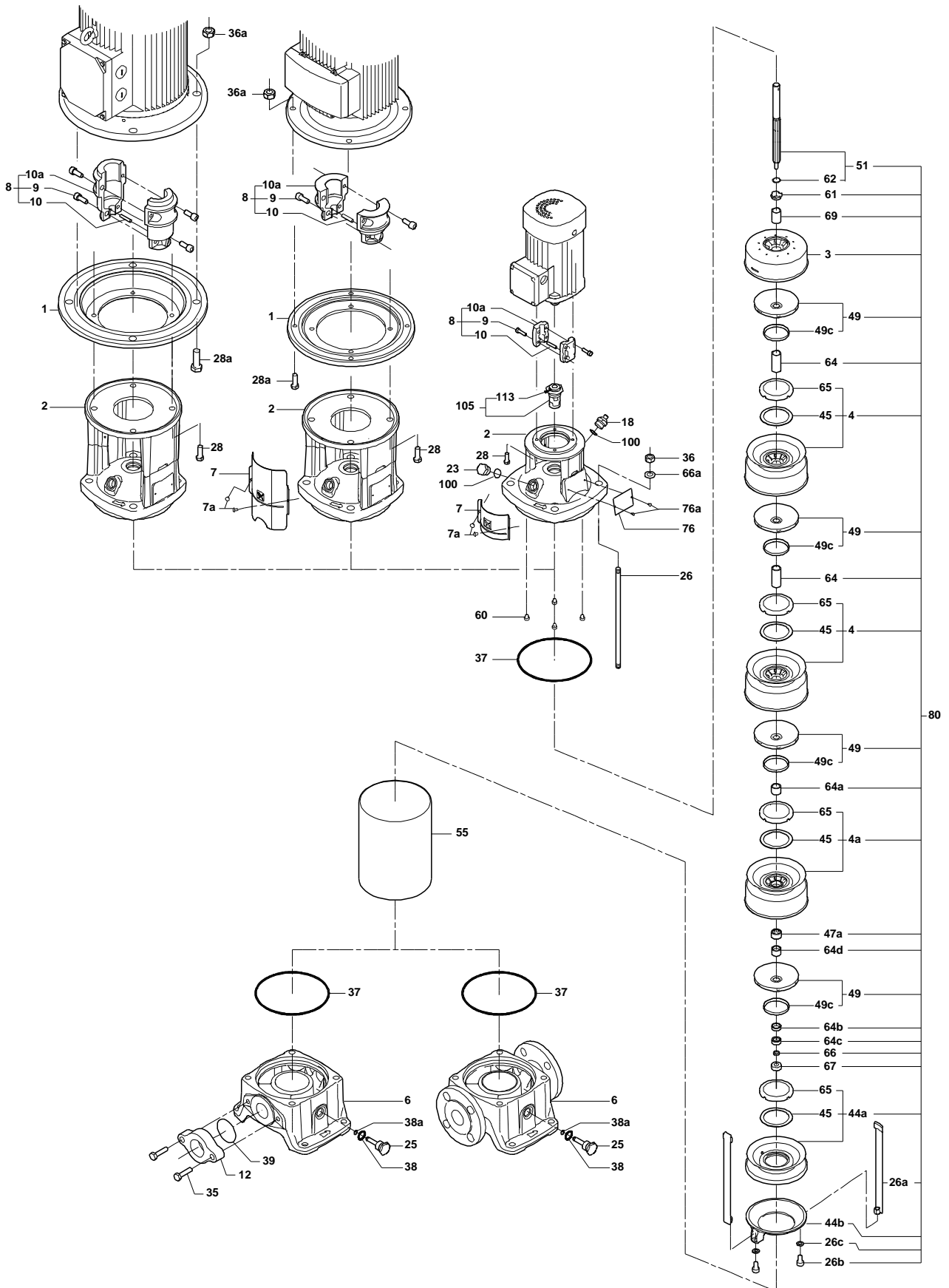
Product name: CR 15-2 A-GJ-A-E-HQQE

Amount: 1

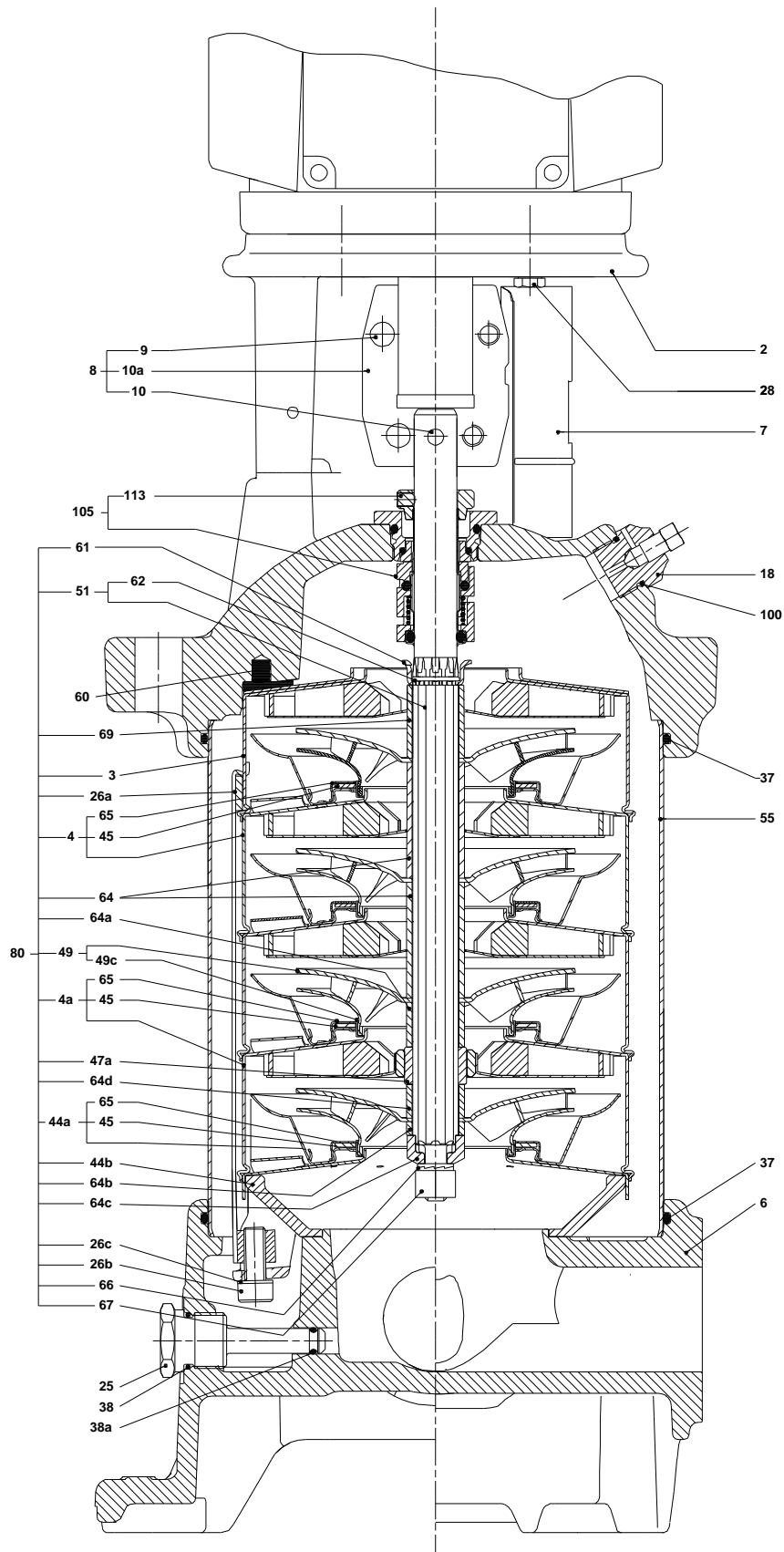
Product No.: 96126910

Total: Price on request

Exploded view



Sectional drawing



Parts list CR 15-2, Prod number 96126910

Valid from 1.1.2004 (0401)

Position	Description	Annotation	Classification data	Part No.	Count	Unit
+	Base cpl.				1	pcs
	Hex head screw				1	pcs
	Shaft end				1	pcs
	Bar				1	pcs
-	Rubber module				1	pcs
20	Spring				4	
37	O-ring				2	
38	O-ring		Diameter: 16,3		1	
			Material type: EPDM			
			Thickness: 2,4			
38a	O-ring		Diameter: 5,3		1	
			Material type: EPDM			
			Thickness: 2,4			
100	O-ring		Diameter: 16,3		2	
			Material type: EPDM			
			Thickness: 2,4			
- 2	Pump head cpl.				1	pcs
2	Pump head				1	
7	Coupling guard				2	
7.a	Thread cutting screw				4	
- 18	Air vent screw				1	
	Plug					
	Spindle					
23	Pipe plug				1	
28	Hex head cap screw		Length: 25		4	
			Thread: UNC 1/2"			
- 8	Coupling		Dimension: D29/D16		1	pcs
9	Hex socket head cap screw		Designation: DIN 912		4	
			Length: 25			
			Thread: M10			
10	Shaft pin		Diameter: 5		1	
			Length: 26			
10a	Coupling		Type: NEMA		1	
26	Staybolt		Length: 163		4	pcs
			Thread: M16			
36	Hex nut				2	pcs
36	Hex nut		Thread: M16		4	pcs
55	Outer sleeve				1	pcs
66a	Washer		Designation: DIN 125 A		4	pcs
			Inner diameter: 17			
			Outer diameter: 30			
			Thickness: 3			
+ 80	Chamber stack				1	pcs
105	Shaft seal		Material type: HQQE		1	pcs