

| | | |
|-----------------------|------------------------|-----------------|
| PROJECT: _____ | UNIT TAG: _____ | QUANTITY: _____ |
| REPRESENTATIVE: _____ | TYPE OF SERVICE: _____ | DATE: _____ |
| ENGINEER: _____ | SUBMITTED BY: _____ | DATE: _____ |
| CONTRACTOR: _____ | APPROVED BY: _____ | DATE: _____ |
| | ORDER NO.: _____ | DATE: _____ |

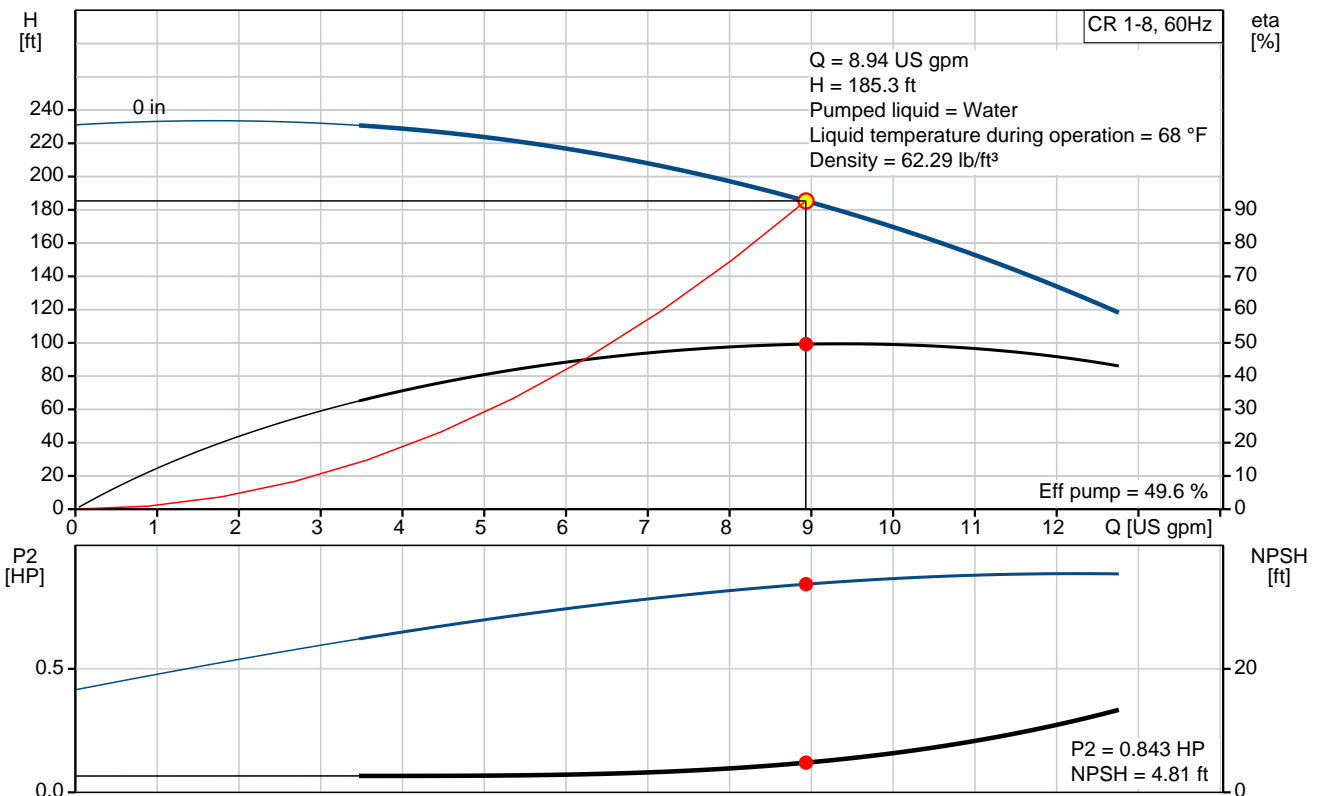
CR 1-8

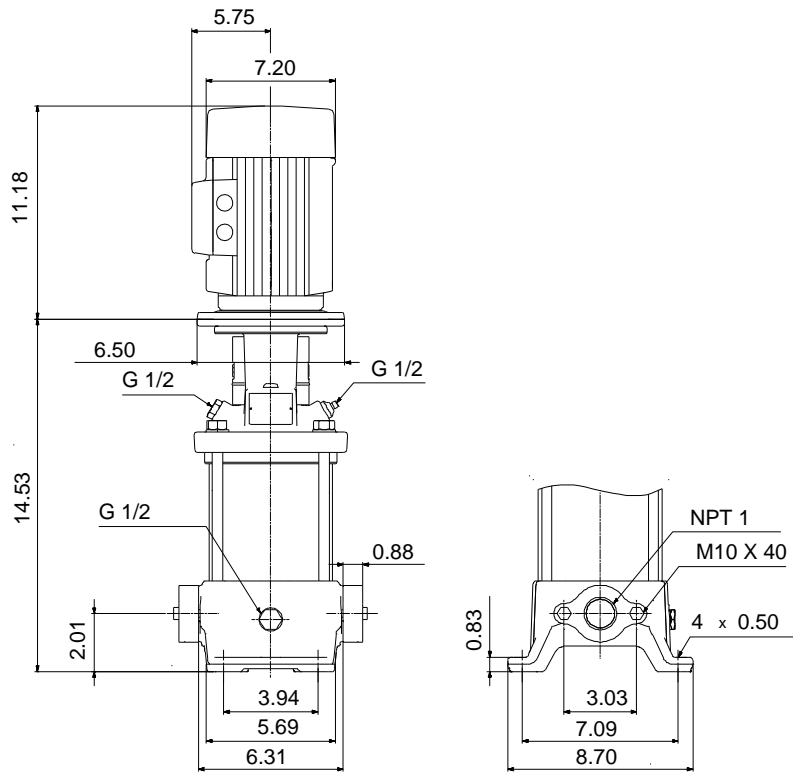


Vertical, multistage centrifugal pump with suction and discharge ports on the same level. The pump head and base are in cast iron. All other wetted parts are in stainless steel (EN 1.4301)(AISI 304)

Product photo could vary from the actual product

| Conditions of Service | | Pump Data | | Motor Data | |
|-----------------------|-------------|-------------------------------------|------------------|-------------------|-----------|
| Flow: | 8.94 US gpm | Max pressure at stated temperature: | 232 psi / 250 °F | Rated power - P2: | 1 HP |
| Head: | 185.3 ft | Maximum ambient temperature: | 104 °F | Rated voltage: | 115/230 V |
| Efficiency: | _____ | Approvals: | CURUS,NSF61 | Main frequency: | 60 Hz |
| Liquid: | Water | Shaft seal: | HQQE | Insulation class: | B |
| Temperature: | 68 °F | Product number: | 96081977 | Motor protection: | NONE |
| NPSH required: | 4.81 ft | | | Motor type: | BALDOR |
| Viscosity: | _____ | | | | |
| Specific Gravity: | 1.000 | | | | |





Materials:

| | |
|------------------|---|
| Base: | Cast iron EN 1561 EN-GJL-200 ASTM A48-25B |
| Impeller: | Stainless steel AISI 304 EN 1.4301 |
| Material code: | A |
| Code for rubber: | E |

Tender Text



Product No.: [96081977](#)

CR 1-8 A-B-A-E-HQQE

Vertical, non-self-priming, multistage, in-line, centrifugal pump for installation in pipe systems and mounting on a foundation.

The pump has the following characteristics:

- Impellers and intermediate chambers are made of
- The shaft seal has assembly length

according to EN 12756.

- Power transmission is via cast iron split coupling.

The motor is a 1-phase AC motor.

Controls:

Frequency converter: NONE

Liquid:

Pumped liquid: Water

Liquid temperature during operation: 68 °F

Density: 62.29 lb/ft³

Technical:

Speed for pump data: 3450 rpm

Actual calculated flow: 8.94 US gpm

Resulting head of the pump: 185.3 ft

Pump orientation: Vertical

Shaft seal arrangement: Single

Code for shaft seal: HQQE

Approvals on nameplate: CURUS, NSF61

Curve tolerance: ISO9906:2012 3B

Materials:

Base: Cast iron
EN 1561 EN-GJL-200
ASTM A48-25B

Impeller: Stainless steel
EN 1.4301

Bearing material: AISI 304
SIC

Installation:

Maximum ambient temperature: 104 °F

Max pressure at stated temperature: 232 psi / 250 °F
232 psi / -4 °F

Type of connection: Oval / NPT(F)

Size of suction port: 1 inch



Company name:

Created by:

Phone:

Date:

2/20/2018


Size of outlet port: 1 inch
Pressure rating: PN 16
Flange size for motor: 56C

Electrical data:

Motor standard: NEMA
Motor type: BALDOR
IE Efficiency class: NA
Rated power - P2: 1 HP
Power (P2) required by pump: 1 HP
Main frequency: 60 Hz
Rated voltage: 1 x 115/230 V
Service factor: 1,25
Rated current: 12/6 A
Rated speed: 3450 rpm
Number of poles: 2
Insulation class (IEC 85): B

Others:

Net weight: 70.4 lb
Gross weight: 81.4 lb
Shipping volume: 6.11 ft³

| Position | Count | Description |
|----------|-------|---|
| | 1 | <p>CR 1-8 A-B-A-E-HQQE</p>  <p>Product No.: 96081977 Vertical, non-self-priming, multistage, in-line, centrifugal pump for installation in pipe systems and mounting on a foundation.</p> <p>The pump has the following characteristics:</p> <ul style="list-style-type: none"> - Impellers and intermediate chambers are made of - The shaft seal has assembly length according to EN 12756. - Power transmission is via cast iron split coupling. <p>The motor is a 1-phase AC motor.</p> <p>Controls: Frequency converter: NONE</p> <p>Liquid: Pumped liquid: Water Liquid temperature during operation: 68 °F Density: 62.29 lb/ft³</p> <p>Technical: Speed for pump data: 3450 rpm Actual calculated flow: 8.94 US gpm Resulting head of the pump: 185.3 ft Pump orientation: Vertical Shaft seal arrangement: Single Code for shaft seal: HQQE Approvals on nameplate: CURUS,NSF61 Curve tolerance: ISO9906:2012 3B</p> <p>Materials: Base: Cast iron EN 1561 EN-GJL-200 ASTM A48-25B Impeller: Stainless steel EN 1.4301 AISI 304 Bearing material: SIC</p> <p>Installation: Maximum ambient temperature: 104 °F Max pressure at stated temperature: 232 psi / 250 °F 232 psi / -4 °F</p> <p>Type of connection: Oval / NPT(F) Size of suction port: 1 inch Size of outlet port: 1 inch</p> |



Company name:

Created by:

Phone:

Date:

2/20/2018

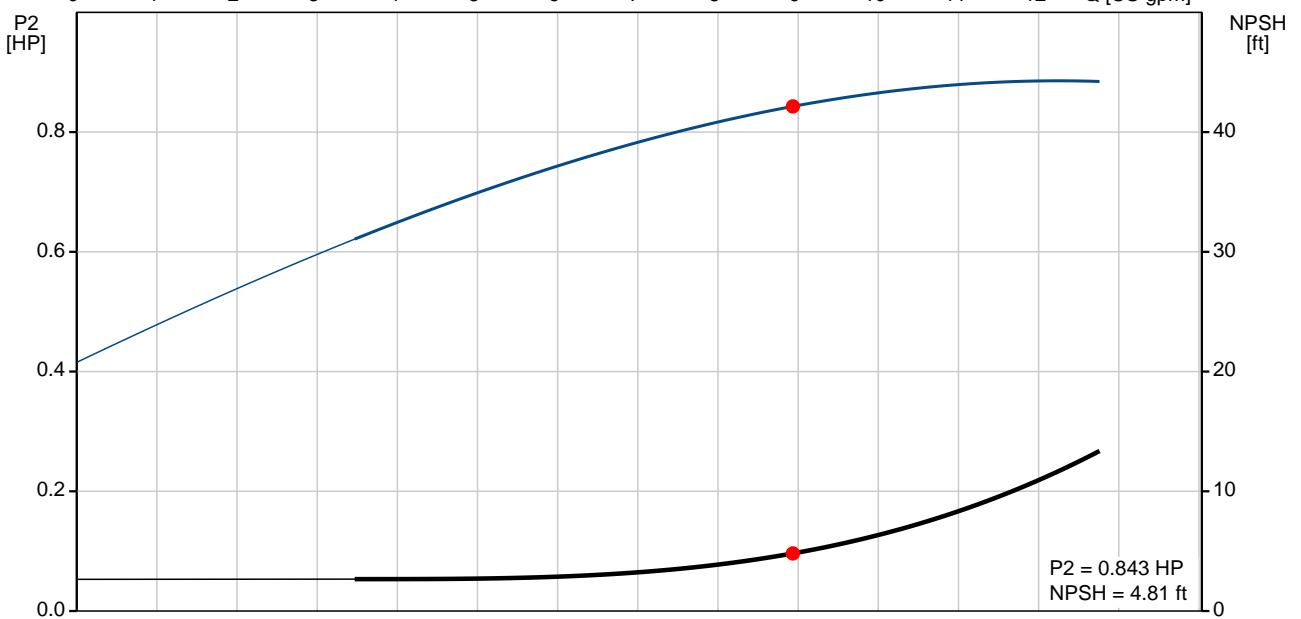
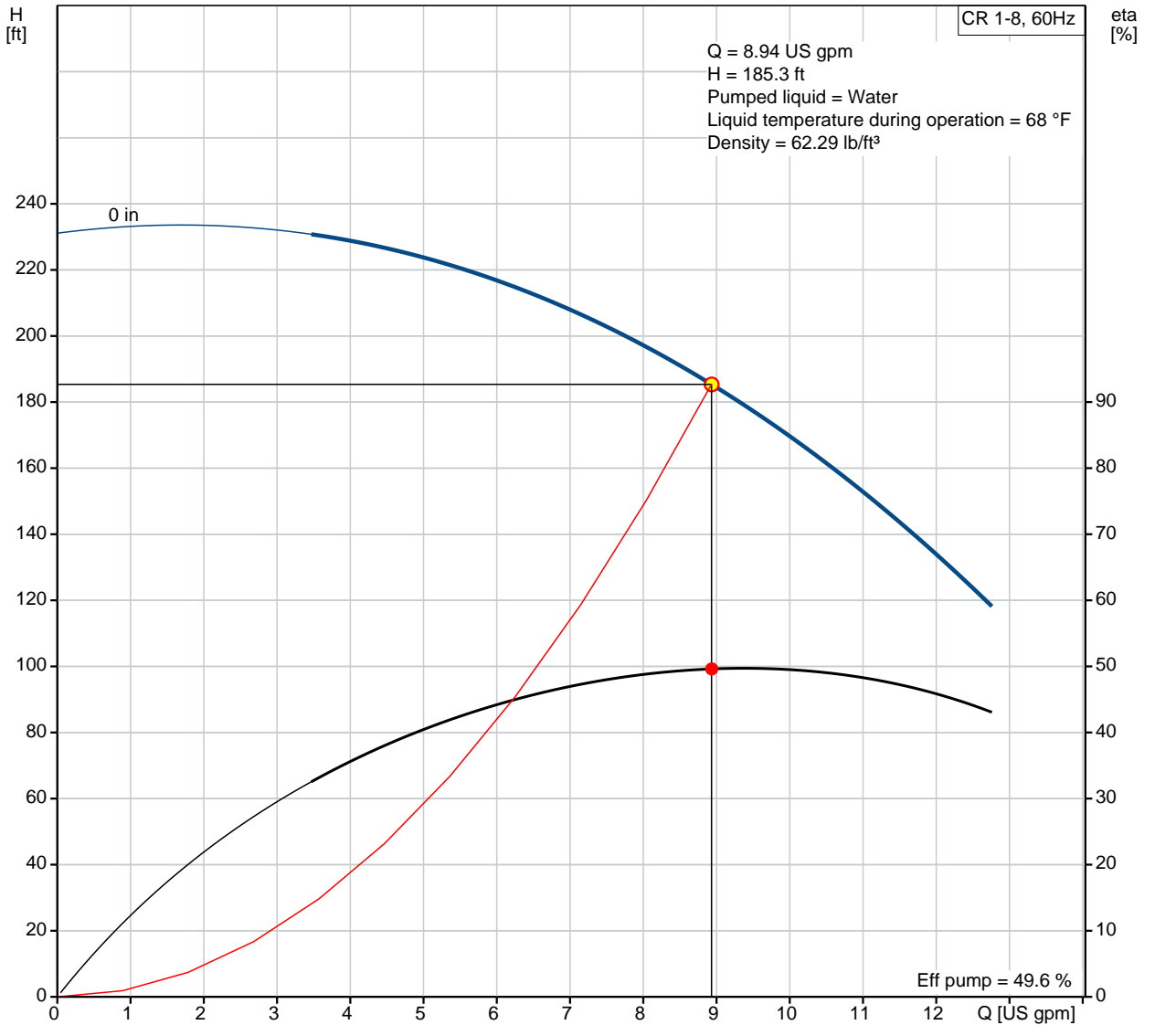
| Position | Count | Description |
|----------|-------|--|
| | | Pressure rating: PN 16 Flange size for motor: 56C |
| | | Electrical data: |
| | | Motor standard: NEMA |
| | | Motor type: BALDOR |
| | | IE Efficiency class: NA |
| | | Rated power - P2: 1 HP |
| | | Power (P2) required by pump: 1 HP |
| | | Main frequency: 60 Hz |
| | | Rated voltage: 1 x 115/230 V |
| | | Service factor: 1,25 |
| | | Rated current: 12/6 A |
| | | Rated speed: 3450 rpm |
| | | Number of poles: 2 |
| | | Insulation class (IEC 85): B |
| | | Others: |
| | | Net weight: 70.4 lb |
| | | Gross weight: 81.4 lb |
| | | Shipping volume: 6.11 ft ³ |



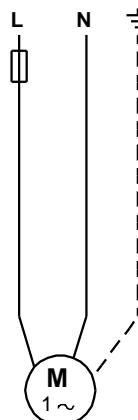
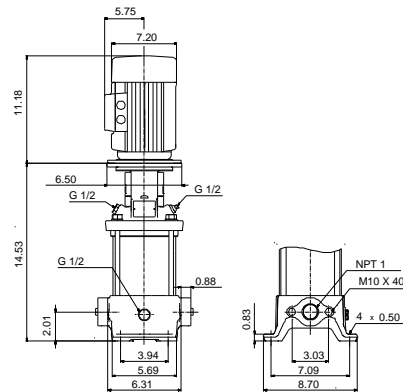
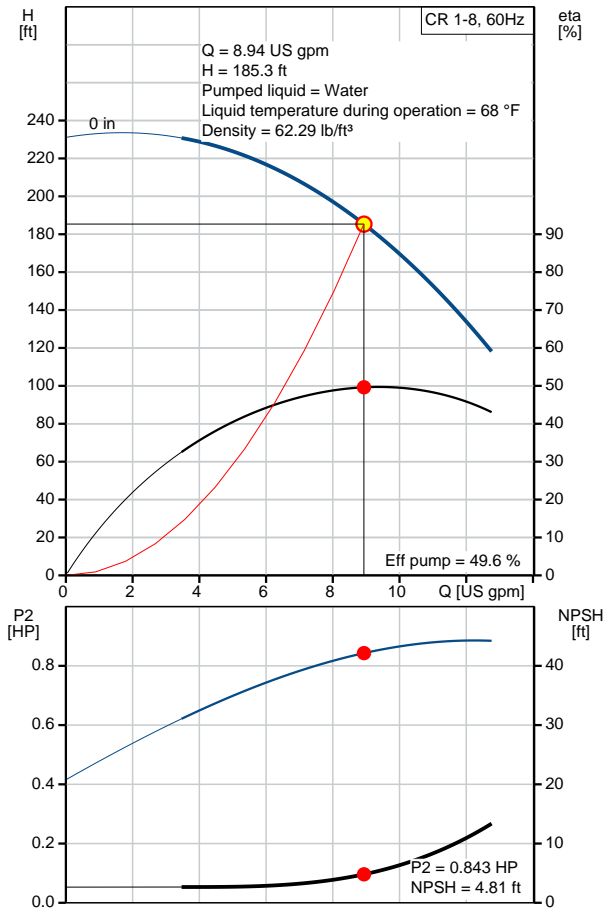
Company name:
Created by:
Phone:

Date: 2/20/2018

96081977 CR 1-8 60 Hz



| Description | Value |
|--------------------------------------|---|
| General information: | |
| Product name: | CR 1-8 A-B-A-E-HQQE |
| Product No.: | 96081977 |
| EAN: | 5700395167153 |
| Technical: | |
| Speed for pump data: | 3450 rpm |
| Actual calculated flow: | 8.94 US gpm |
| Resulting head of the pump: | 185.3 ft |
| Stages: | 8 |
| Impellers: | 8 |
| Low NPSH: | N |
| Pump orientation: | Vertical |
| Shaft seal arrangement: | Single |
| Code for shaft seal: | HQQE |
| Approvals on nameplate: | CURUS,NSF61 |
| Curve tolerance: | ISO9906:2012 3B |
| Pump version: | A |
| Model: | A |
| Cooling: | TEFC |
| Materials: | |
| Base: | Cast iron EN 1561 EN-GJL-200 ASTM A48-25B |
| Impeller: | Stainless steel EN 1.4301 AISI 304 |
| Material code: | A |
| Code for rubber: | E |
| Bearing material: | SIC |
| Installation: | |
| Maximum ambient temperature: | 104 °F |
| Max pressure at stated temperature: | 232 psi / 250 °F 232 psi / -4 °F |
| Type of connection: | Oval / NPT(F) |
| Connect code: | B |
| Size of suction port: | 1 inch |
| Size of outlet port: | 1 inch |
| Pressure rating: | PN 16 |
| Flange size for motor: | 56C |
| Liquid: | |
| Pumped liquid: | Water |
| Liquid temperature during operation: | 68 °F |
| Density: | 62.29 lb/ft ³ |
| Electrical data: | |
| Motor standard: | NEMA |
| Motor type: | BALDOR |
| IE Efficiency class: | NA |
| Rated power - P2: | 1 HP |
| Power (P2) required by pump: | 1 HP |
| Main frequency: | 60 Hz |
| Rated voltage: | 1 x 115/230 V |
| Service factor: | 1,25 |
| Rated current: | 12/6 A |
| Load current: | 14,4/7,2 A |





Company name:

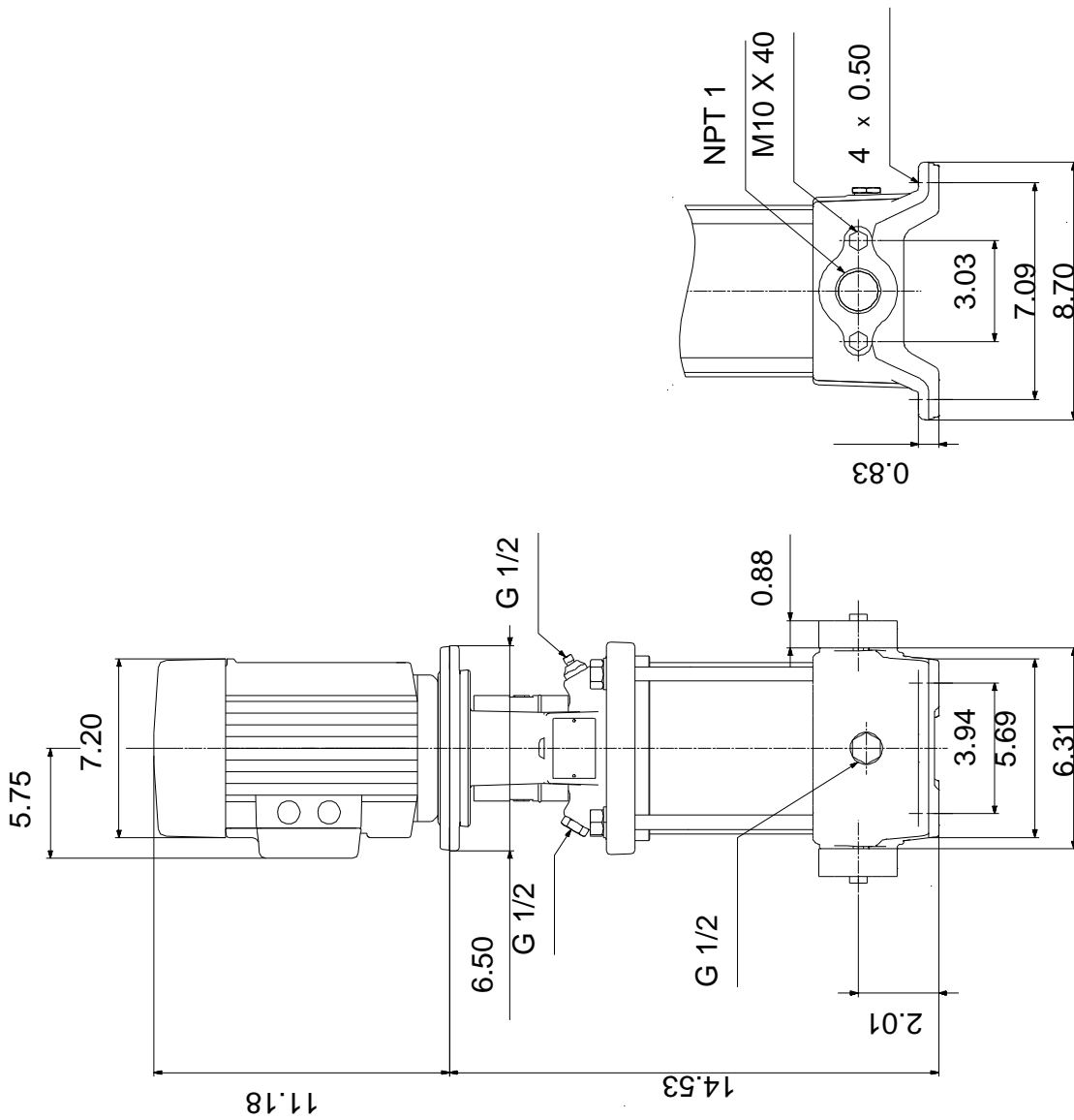
Created by:

Phone:

Date: 2/20/2018

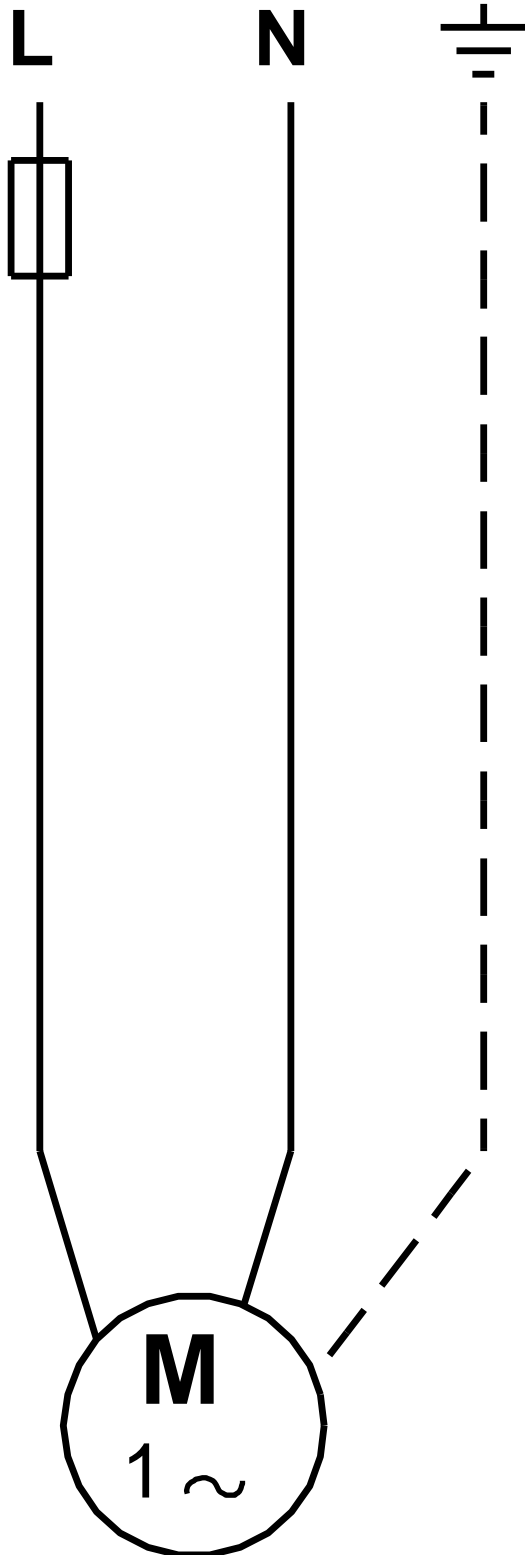
| Description | Value |
|----------------------------|----------------------|
| Rated speed: | 3450 rpm |
| Number of poles: | 2 |
| Insulation class (IEC 85): | B |
| Motor protection: | NONE |
| Motor Number: | 84Z04004 |
| Controls: | |
| Frequency converter: | NONE |
| Others: | |
| Net weight: | 70.4 lb |
| Gross weight: | 81.4 lb |
| Shipping volume: | 6.11 ft ³ |

96081977 CR 1-8 60 Hz



Note! All units are in [mm] unless otherwise stated.
Disclaimer: This simplified dimensional drawing does not show all details.

96081977 CR 1-8 60 Hz



All units are [mm] unless otherwise presented.



Company name:

Created by:

Phone:

Date: 2/20/2018

Order Data:

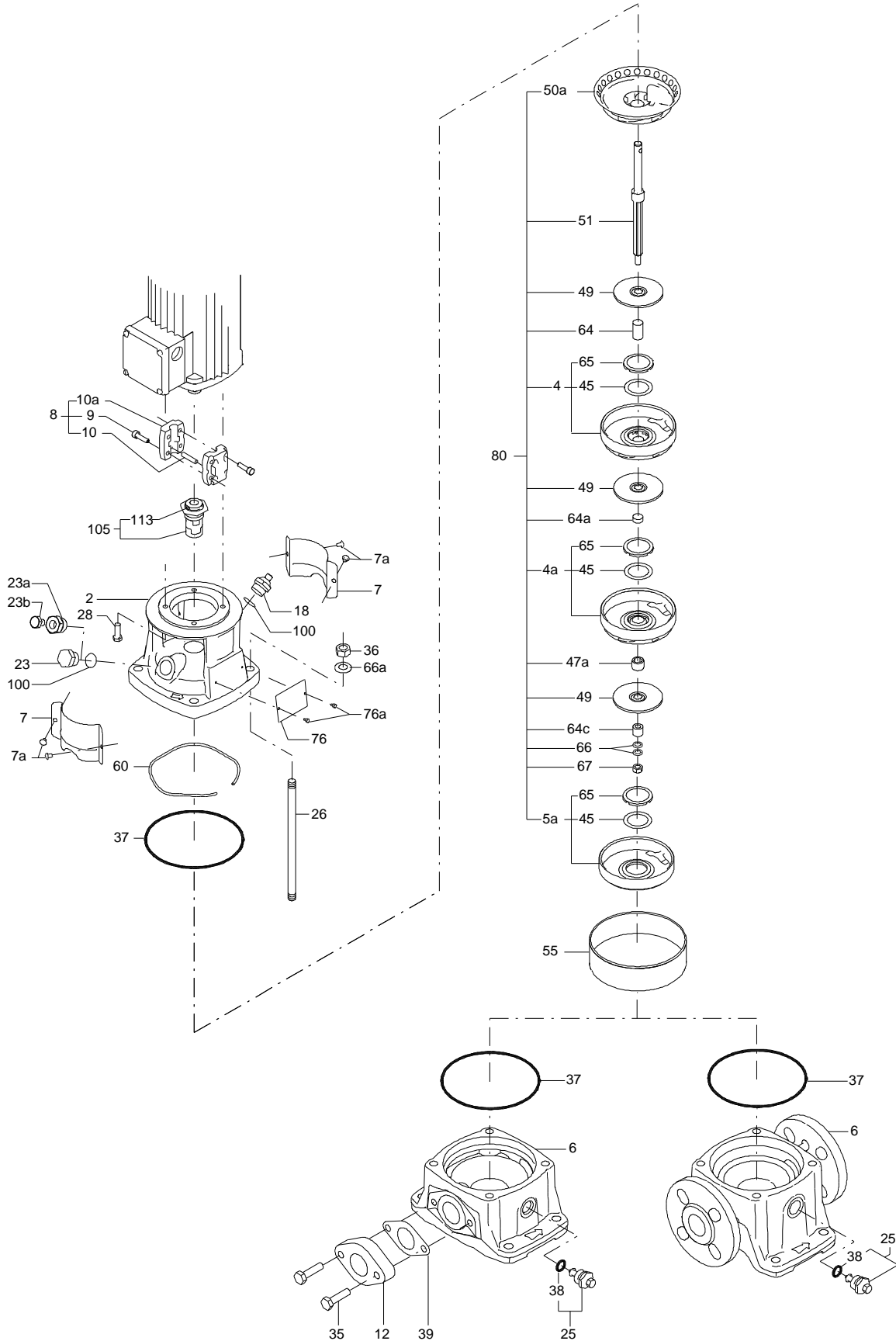
Product name: CR 1-8 A-B-A-E-HQQE

Amount: 1

Product No.: 96081977

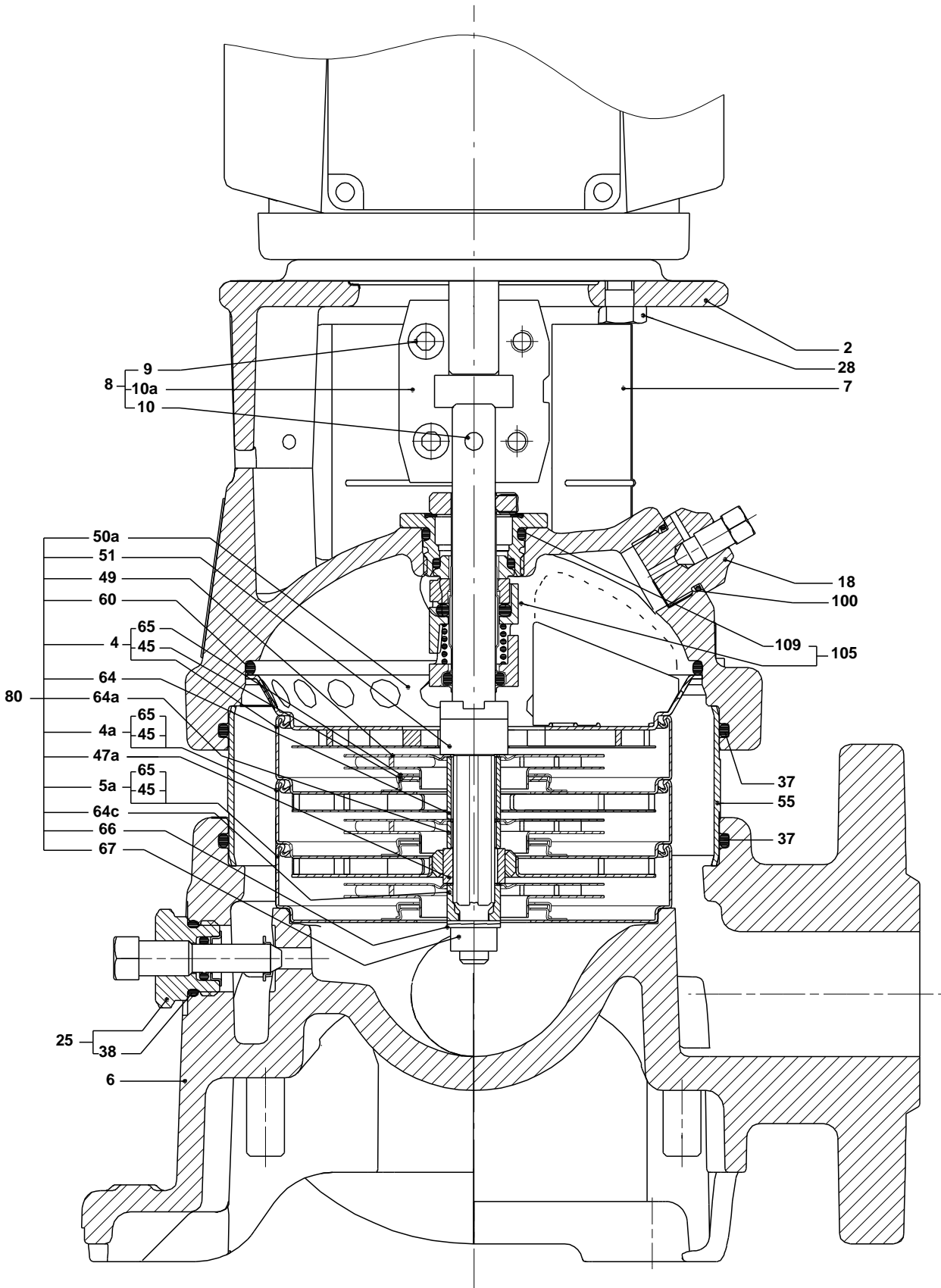
Total: Price on request

Exploded view (tm020210 4100)



TM020210

Sectional drawing (tm020211 4100)



Parts list CR 1-8, Prod number 96081977
Valid from 1.1.2004 (0401)

| Position | Description | Annotation | Classification data | Part No. | Count | Unit |
|----------|---------------------------|------------|--|----------|-------|------|
| | Motor | | | | 1 | pcs |
| - | Base cpl. | | | | 1 | pcs |
| 6 | Base | | | | 1 | |
| 12 | Flange | | | | 2 | |
| 35 | Hex head screw | | Length: 40 Thread: M10 | | 4 | |
| 37 | Gasket | | | | 2 | |
| - | Sealing parts | | | | 1 | pcs |
| - 25 | Drain plug w/bypass valve | | | | 1 | |
| 38 | O-ring | | Diameter: 16,3 Material type: EPDM Thickness: 2,4 | | | |
| 37 | O-ring | | | | 2 | |
| 100 | O-ring | | Diameter: 16,3 Material type: EPDM Thickness: 2,4 | | 2 | |
| - 2 | Pump head cpl. | | | | 1 | pcs |
| 2 | Pump head | | | | 1 | |
| 7 | Coupling guard | | | | 2 | |
| 7a | Thread cutting screw | | | | 4 | |
| - 18 | Air vent screw | | | | 1 | |
| | Plug | | | | | |
| | Spindle | | | | | |
| - 25 | Drain plug | | | | 1 | |
| 23 | Pipe plug | | | | | |
| 25 | Drain plug | | | | | |
| 28 | Hex head cap screw | | Length: 25 Thread: UNC 3/8" | | 4 | |
| 60 | Formed wire spring | | | | 1 | |
| + 8 | Coupling cpl. | | | | 1 | pcs |
| 26 | Staybolt | | Length: 169 Thread: M12 | | 4 | pcs |
| 36a | Washer | | Designation: DIN 125 A Inner diameter: 13 Outer diameter: 24 Thickness: 2,5 | | 4 | pcs |
| 55 | Outer sleeve | | | | 1 | pcs |
| 66a | Nut | | Thread: M12 | | 4 | pcs |
| + 80 | Chamber stack | | | | 1 | pcs |
| - 105 | Shaft seal | | Material type: HQQE | | 1 | pcs |
| | O-ring | | | | 1 | |
| | O-ring | | | | 1 | |
| | Seal driver, upper | | | | 1 | |
| | Seal driver, lower | | | | 1 | |
| | Spacer ring | | | | 1 | |
| | Pipe | | | | 1 | |
| | Plug | | | | 1 | |
| | Plug | | | | 1 | |
| | Compression spring | | | | 1 | |
| | Socket set screw | | | | 1 | |
| 102 | O-ring | | Diameter: 22,00 Material type: EPDM Thickness: 2,75 | | 1 | |



Company name:

Created by:

Phone:

Date: 2/20/2018

| Position | Description | Annotation | Classification data | Part No. | Count | Unit |
|----------|-----------------------|------------|---------------------|----------|-------|------|
| 103 | Seal ring, stationary | | | | 1 | |
| 105 | Seal ring, rotating | | | | 1 | |
| 107 | O-ring | | | | 1 | |
| 113 | Driver | | | | 1 | |