

PROJECT: _____	UNIT TAG: _____	QUANTITY: _____
REPRESENTATIVE: _____	TYPE OF SERVICE: _____	DATE: _____
ENGINEER: _____	SUBMITTED BY: _____	DATE: _____
CONTRACTOR: _____	APPROVED BY: _____	DATE: _____
	ORDER NO.: _____	DATE: _____

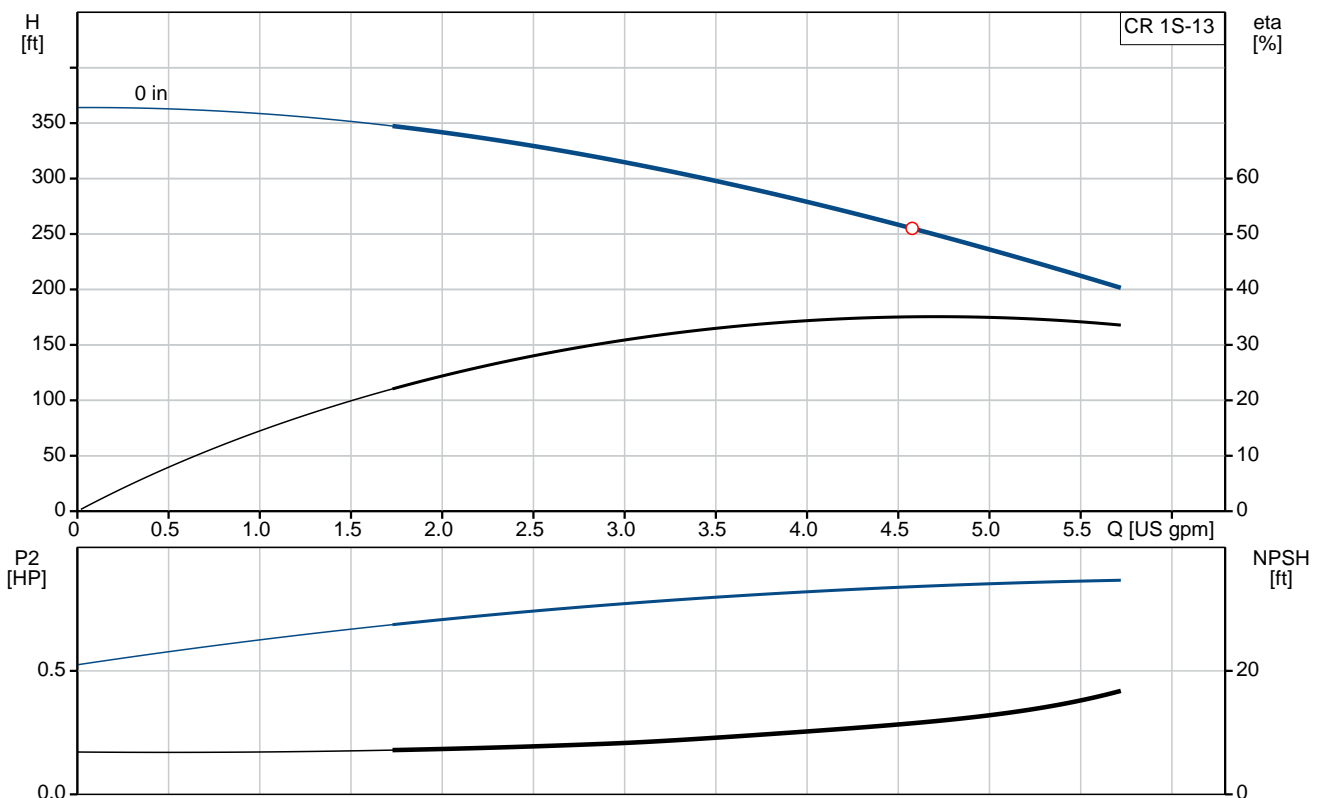


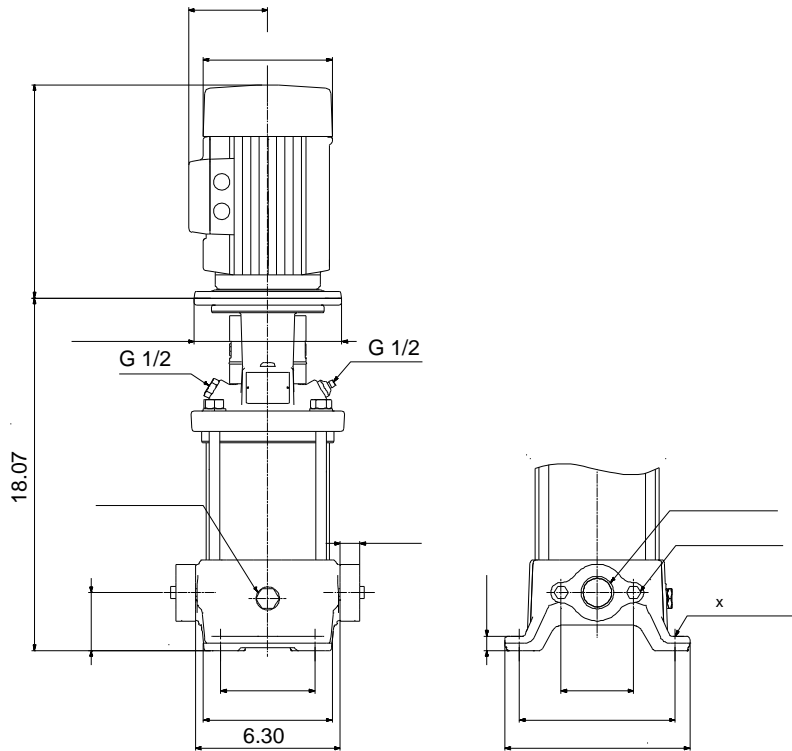
CR 1S-13

Vertical, multistage centrifugal pump with suction and discharge ports on the same level. The pump head and base are in cast iron. All other wetted parts are in stainless steel (EN 1.4301)(AISI 304)

Product photo could vary from the actual product

Conditions of Service	Pump Data	Motor Data
Flow: _____	Max pressure at stated temperature: 232 psi / 250 °F	Main frequency: 60 Hz
Head: _____	Approvals: NSF61	
Efficiency: _____	Shaft seal: HQQE	
Liquid: Water	Product number: 96080872	
Temperature: 68 °F		
NPSH required: ft		
Viscosity: _____		
Specific Gravity: 1.000		





Materials:

Base:	Cast iron EN 1561 EN-GJL-200 ASTM A48-25B
Impeller:	Stainless steel AISI 304 EN 1.4301
Material code:	A
Code for rubber:	E

Tender Text



Product photo could vary from the actual product

Product No.: [96080872](#)

CR 1S-13 A-B-A-E-HQQE

Vertical, non-self-priming, multistage, in-line, centrifugal pump for installation in pipe systems and mounting on a foundation.

The pump has the following characteristics:

- Impellers and intermediate chambers are made of
- The shaft seal has assembly length according to EN 12756.
- Power transmission is via cast iron split coupling.

Controls:

Frequency converter: NONE

Liquid:

Pumped liquid: Water
Liquid temperature during operation: 68 °F
Density: 62.29 lb/ft³

Technical:

Speed for pump data: 3484 rpm
Pump orientation: Vertical
Shaft seal arrangement: Single
Code for shaft seal: HQQE
Approvals on nameplate: NSF61
Curve tolerance: ISO9906:2012 3B

Materials:

Base: Cast iron
EN 1561 EN-GJL-200
ASTM A48-25B
Impeller: Stainless steel
EN 1.4301
AISI 304
Bearing material: SIC

Installation:

Max pressure at stated temperature: 232 psi / 250 °F
232 psi / -4 °F
Type of connection: Oval / NPT(F)



Company name:

Created by:

Phone:

Date:

2/20/2018


Size of suction port: 1 inch
Size of outlet port: 1 inch
Pressure rating: PN 16
Flange size for motor: 56C

Electrical data:

Motor standard: NEMA
Power (P2) required by pump: 1 HP

Others:

Net weight: 38.5 lb
Gross weight: 53 lb
Shipping volume: 4.94 ft³

Position	Count	Description
	1	<p>CR 1S-13 A-B-A-E-HQQE</p>  <p style="text-align: right;">Product photo could vary from the actual product</p> <p>Product No.: 96080872</p> <p>Vertical, non-self-priming, multistage, in-line, centrifugal pump for installation in pipe systems and mounting on a foundation.</p> <p>The pump has the following characteristics:</p> <ul style="list-style-type: none"> - Impellers and intermediate chambers are made of - The shaft seal has assembly length according to EN 12756. - Power transmission is via cast iron split coupling. <p>Controls:</p> <p>Frequency converter: NONE</p> <p>Liquid:</p> <p>Pumped liquid: Water</p> <p>Liquid temperature during operation: 68 °F</p> <p>Density: 62.29 lb/ft³</p> <p>Technical:</p> <p>Speed for pump data: 3484 rpm</p> <p>Pump orientation: Vertical</p> <p>Shaft seal arrangement: Single</p> <p>Code for shaft seal: HQQE</p> <p>Approvals on nameplate: NSF61</p> <p>Curve tolerance: ISO9906:2012 3B</p> <p>Materials:</p> <p>Base: Cast iron EN 1561 EN-GJL-200 ASTM A48-25B</p> <p>Impeller: Stainless steel EN 1.4301 AISI 304</p> <p>Bearing material: SIC</p> <p>Installation:</p> <p>Max pressure at stated temperature: 232 psi / 250 °F 232 psi / -4 °F</p> <p>Type of connection: Oval / NPT(F)</p> <p>Size of suction port: 1 inch</p> <p>Size of outlet port: 1 inch</p>



Company name:

Created by:

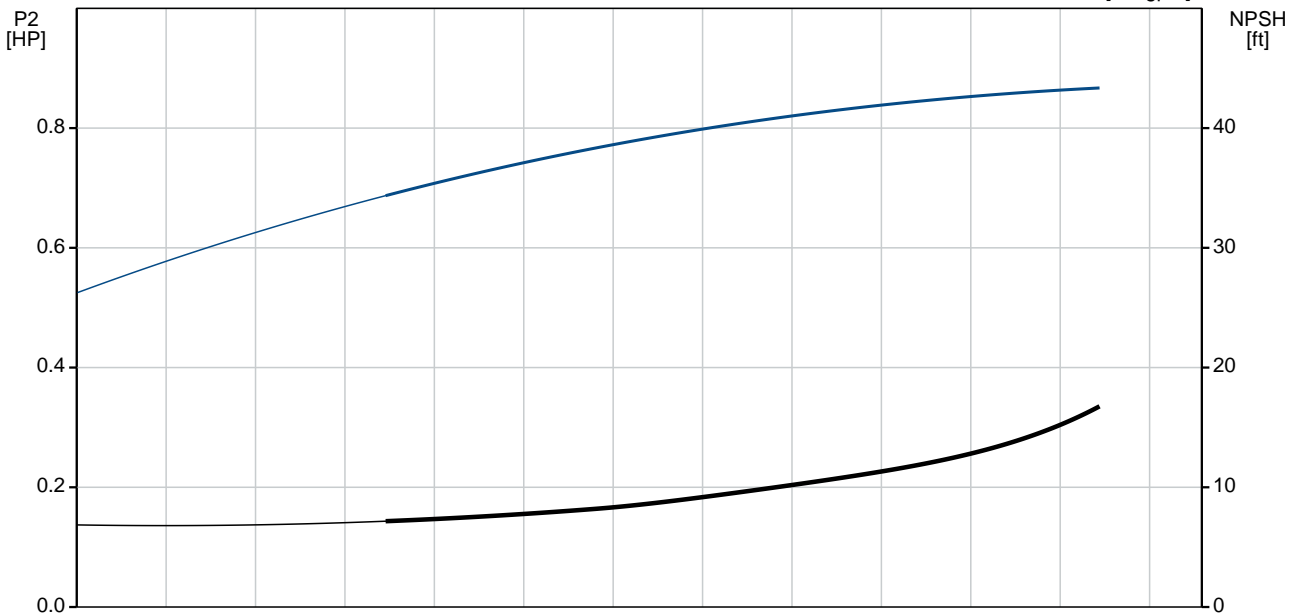
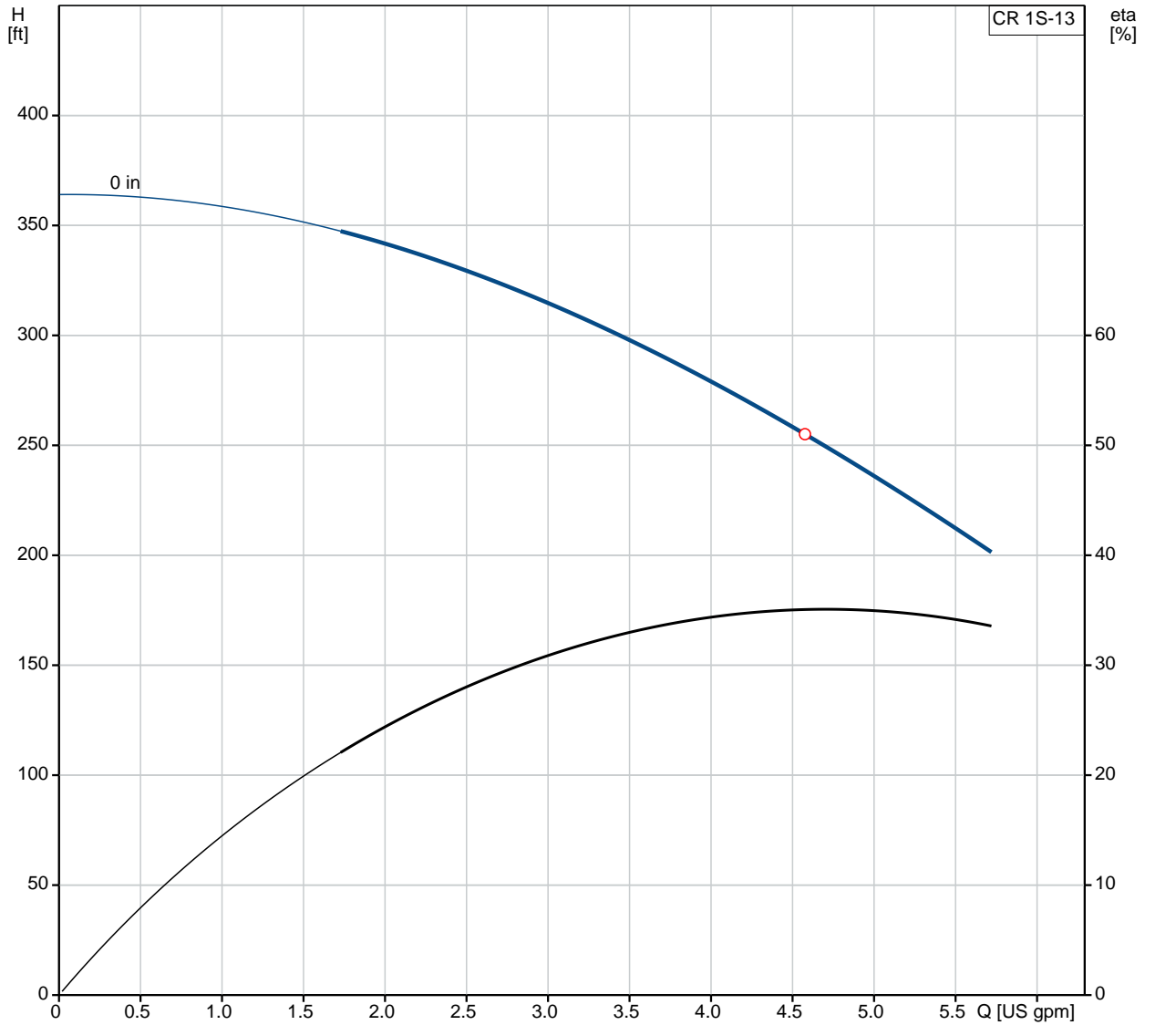
Phone:

Date:

2/20/2018

Position	Count	Description
		Pressure rating: PN 16 Flange size for motor: 56C
		Electrical data: Motor standard: NEMA Power (P2) required by pump: 1 HP
		Others: Net weight: 38.5 lb Gross weight: 53 lb Shipping volume: 4.94 ft ³

96080872 CR 1S-13 60 Hz



Description	Value
-------------	-------

General information:

Product name:	CR 1S-13 A-B-A-E-HQQE
Product No.:	96080872
EAN:	5700395153309

Technical:

Speed for pump data:	3484 rpm
Stages:	13
Impellers:	13
Low NPSH:	N
Pump orientation:	Vertical
Shaft seal arrangement:	Single
Code for shaft seal:	HQQE
Approvals on nameplate:	NSF61
Curve tolerance:	ISO9906:2012 3B
Pump version:	A
Model:	A

Materials:

Base:	Cast iron
	EN 1561 EN-GJL-200
	ASTM A48-25B
Impeller:	Stainless steel
	EN 1.4301
	AISI 304
Material code:	A
Code for rubber:	E
Bearing material:	SIC

Installation:

Max pressure at stated temperature:	232 psi / 250 °F
	232 psi / -4 °F
Type of connection:	Oval / NPT(F)
Connect code:	B
Size of suction port:	1 inch
Size of outlet port:	1 inch
Pressure rating:	PN 16
Flange size for motor:	56C

Liquid:

Pumped liquid:	Water
Liquid temperature during operation:	68 °F
Density:	62.29 lb/ft ³

Electrical data:

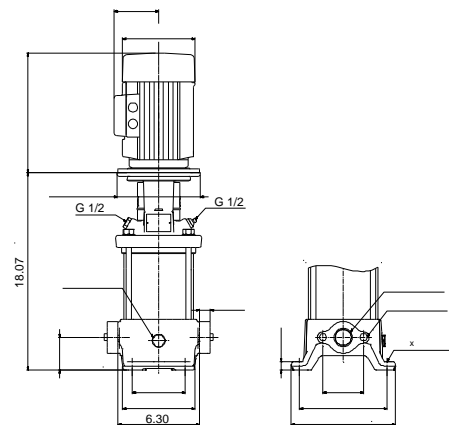
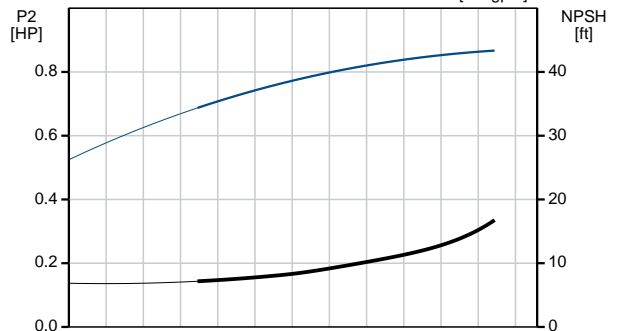
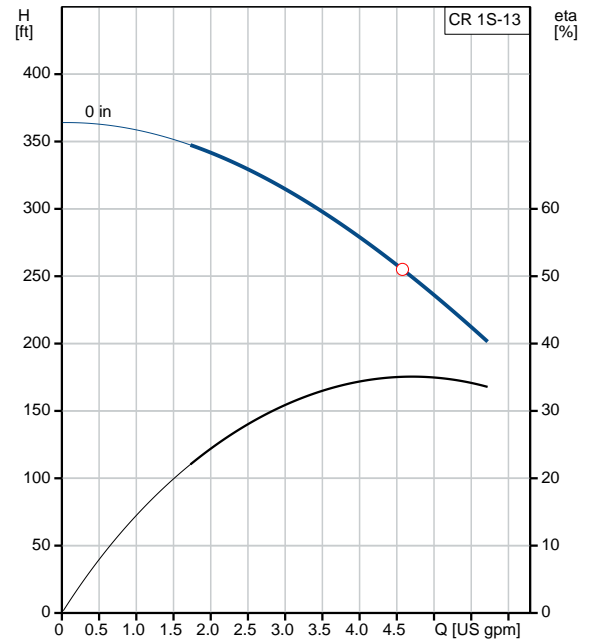
Motor standard:	NEMA
Power (P2) required by pump:	1 HP

Controls:

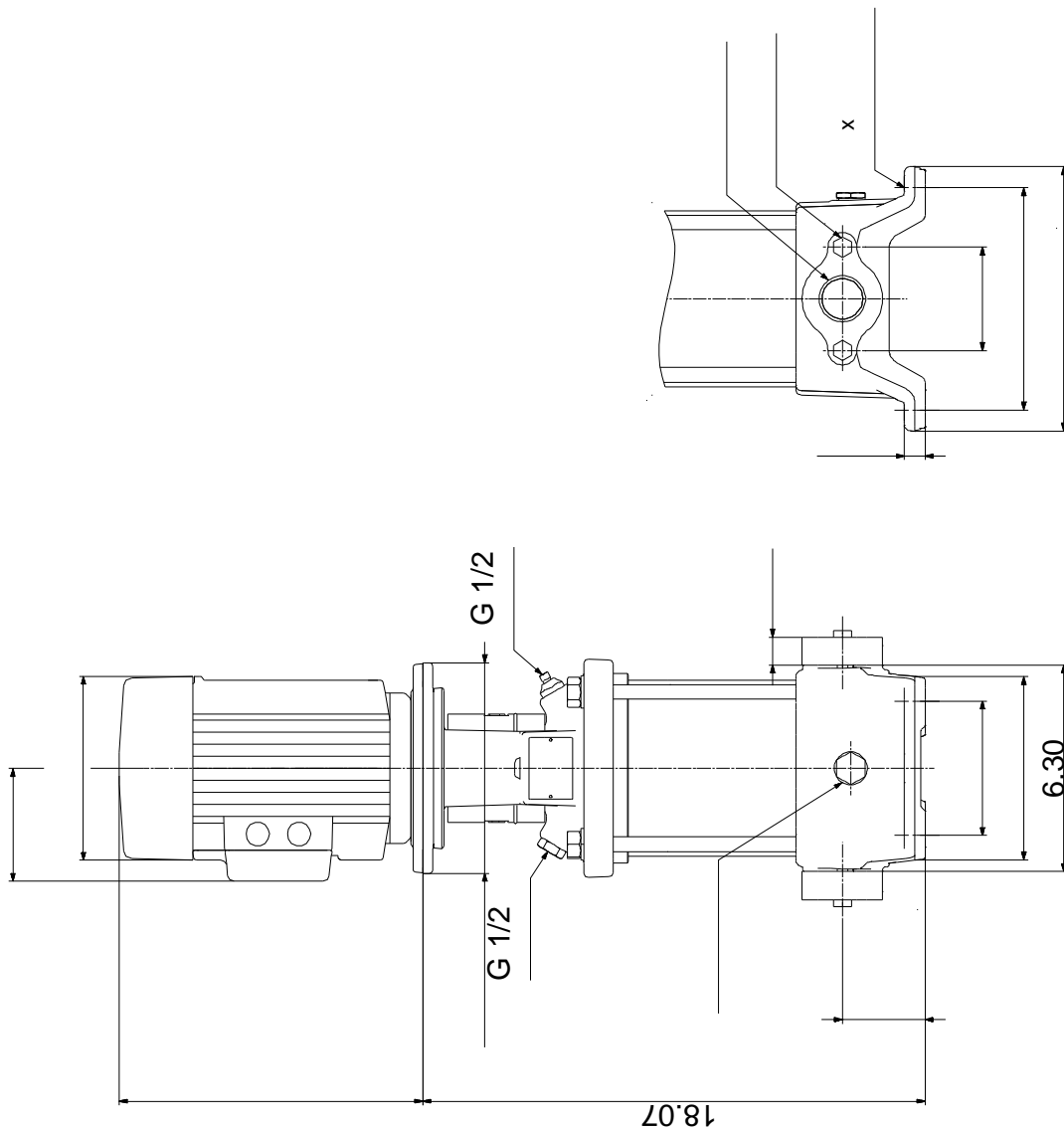
Frequency converter:	NONE
----------------------	------

Others:

Net weight:	38.5 lb
Gross weight:	53 lb
Shipping volume:	4.94 ft ³



96080872 CR 1S-13 60 Hz



Note! All units are in [mm] unless otherwise stated.
Disclaimer: This simplified dimensional drawing does not show all details.



Company name:

Created by:

Phone:

Date: 2/20/2018

Order Data:

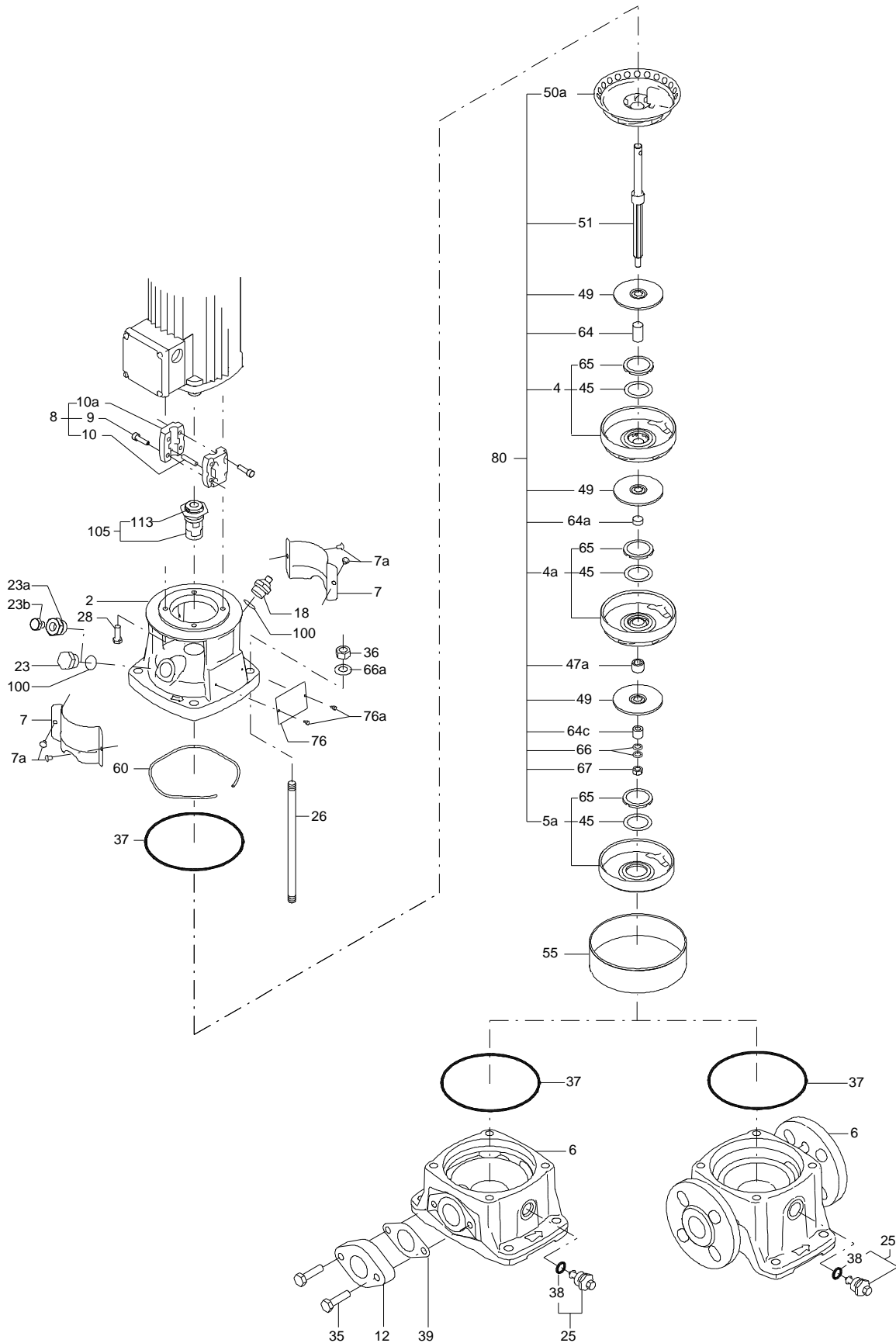
Product name: CR 1S-13 A-B-A-E-HQQE

Amount: 1

Product No.: 96080872

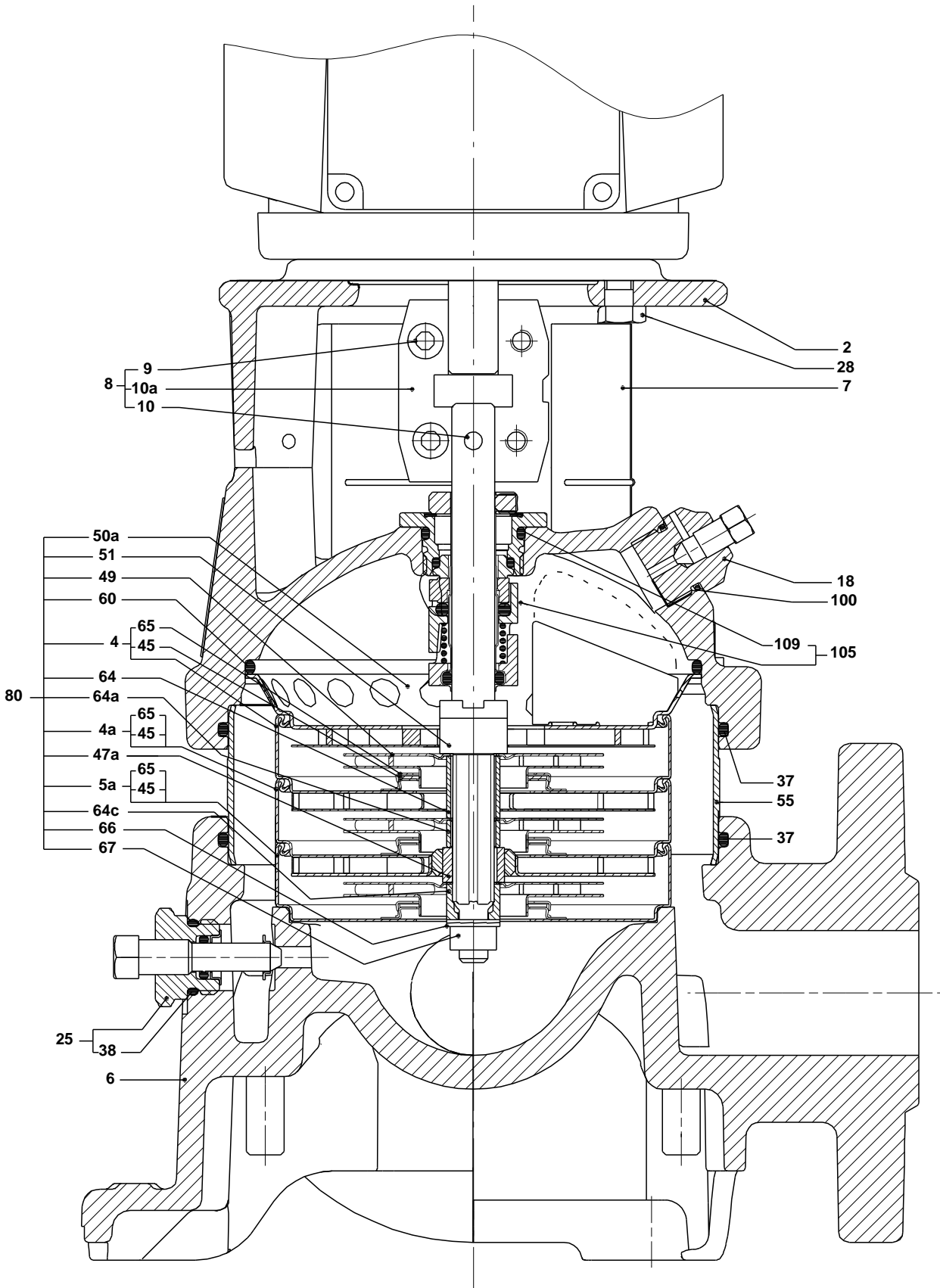
Total: Price on request

Exploded view (tm020210 4100)



TM020210

Sectional drawing (tm020211 4100)



Parts list CR 1S-13, Prod number 96080872

Valid from 1.1.2004 (0401)

Position	Description	Annotation	Classification data	Part No.	Count	Unit
-	Base cpl.				1	pcs
6	Base				1	
12	Flange				2	
35	Hex head screw		Length: 40 Thread: M10		4	
37	Gasket				2	
-	Sealing parts				1	pcs
- 25	Drain plug w/bypass valve				1	
38	O-ring		Diameter: 16,3 Material type: EPDM Thickness: 2,4			
37	O-ring				2	
100	O-ring		Diameter: 16,3 Material type: EPDM Thickness: 2,4		2	
- 2	Pump head cpl.				1	pcs
2	Pump head				1	
7	Coupling guard				2	
7a	Thread cutting screw				4	
- 18	Air vent screw				1	
	Plug					
	Spindle					
- 25	Drain plug				1	
23	Pipe plug					
25	Drain plug					
28	Hex head cap screw		Length: 25 Thread: UNC 3/8"		4	
60	Formed wire spring				1	
+ 8	Coupling cpl.				1	pcs
26	Staybolt		Length: 259 Thread: M12		4	pcs
36a	Washer		Designation: DIN 125 A Inner diameter: 13 Outer diameter: 24 Thickness: 2,5		4	pcs
55	Outer sleeve				1	pcs
66a	Nut		Thread: M12		4	pcs
- 80	Chamber stack		Bearing type: HQQE		1	pcs
-	Guide vane cpl.				1	
	Plate					
50a	Guide vane					
50b	Top plate					
- 4	Chamber cpl.				10	
	Guide vane					
	Plate					
	Retainer					
	Intermediate chamber					
	Vane					
45	Neck ring					
65	Retainer					
- 4a	Chamber w. bearing cpl.				2	
	Guide vane					
	Retainer for bearing					

Position	Description	Annotation	Classification data	Part No.	Count	Unit
	Bearing bush					
	Retainer					
	Intermediate chamber					
	Vane					
45	Neck ring					
65	Retainer					
- 5a	Chamber cpl.				1	
	Retainer					
	Intermediate chamber					
	Vane					
45	Neck ring					
65	Retainer					
36	Lock nut		Thread: M8		1	
47a	Bearing ring, rotating				2	
- 49	Impeller cpl.				13	
49	Impeller					
51	Shaft, spline, cpl.				1	
64a	Spacing pipe				10	
64a	Spacing pipe		Inner diameter: 12,85		2	
			Outer diameter: 15,85			
			Length: 4,50			
64c	Clamp, splined		Inner diameter: 8,5		1	
			Outer diameter: 15			
66	Wedge lock washer				1	
- 105	Shaft seal		Material type: HQQE		1	pcs
	O-ring				1	
	O-ring				1	
	Seal driver, upper				1	
	Seal driver, lower				1	
	Spacer ring				1	
	Pipe				1	
	Plug				1	
	Plug				1	
	Compression spring				1	
	Socket set screw				1	
102	O-ring		Diameter: 22,00		1	
			Material type: EPDM			
			Thickness: 2,75			
103	Seal ring, stationary				1	
105	Seal ring, rotating				1	
107	O-ring				1	
113	Driver				1	