

PROJECT: _____	UNIT TAG: _____	QUANTITY: _____
REPRESENTATIVE: _____	TYPE OF SERVICE: _____	DATE: _____
ENGINEER: _____	SUBMITTED BY: _____	DATE: _____
CONTRACTOR: _____	APPROVED BY: _____	DATE: _____
	ORDER NO.: _____	DATE: _____

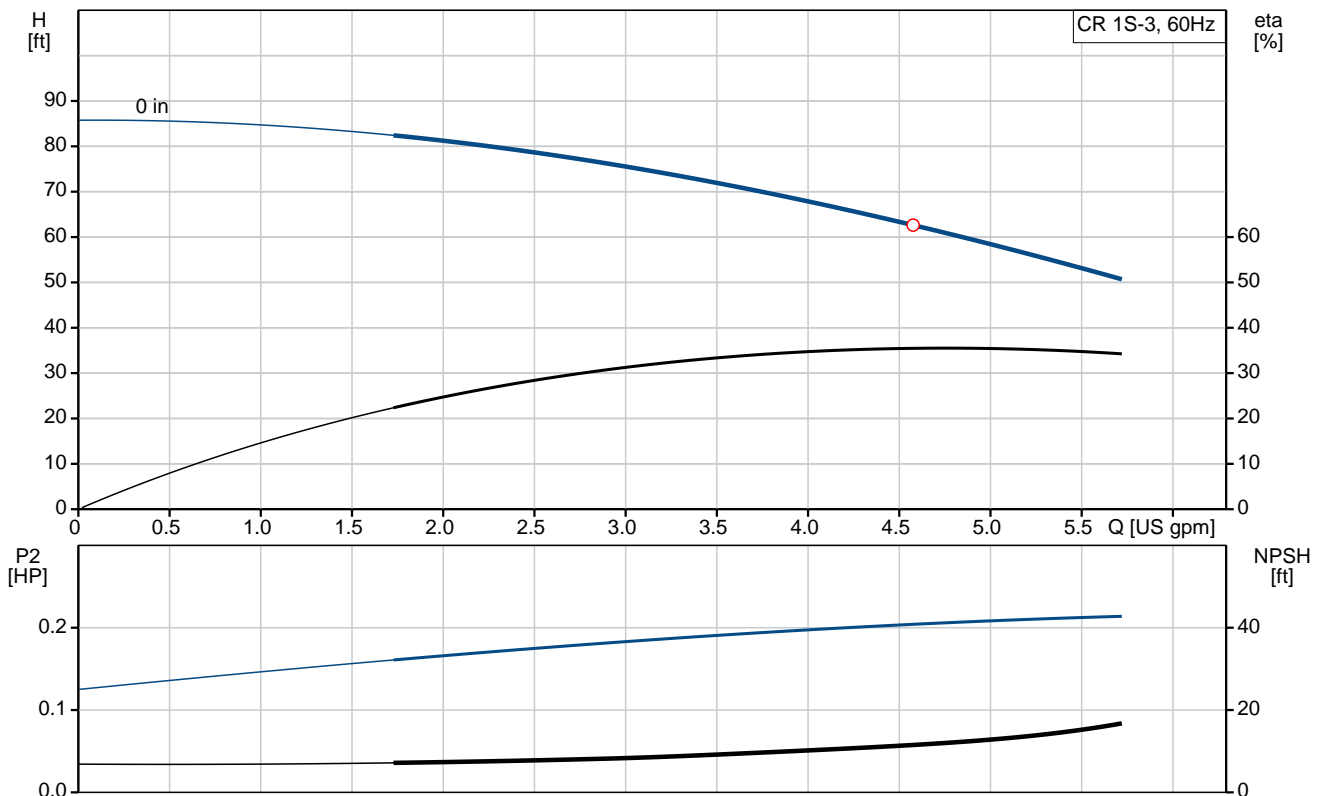


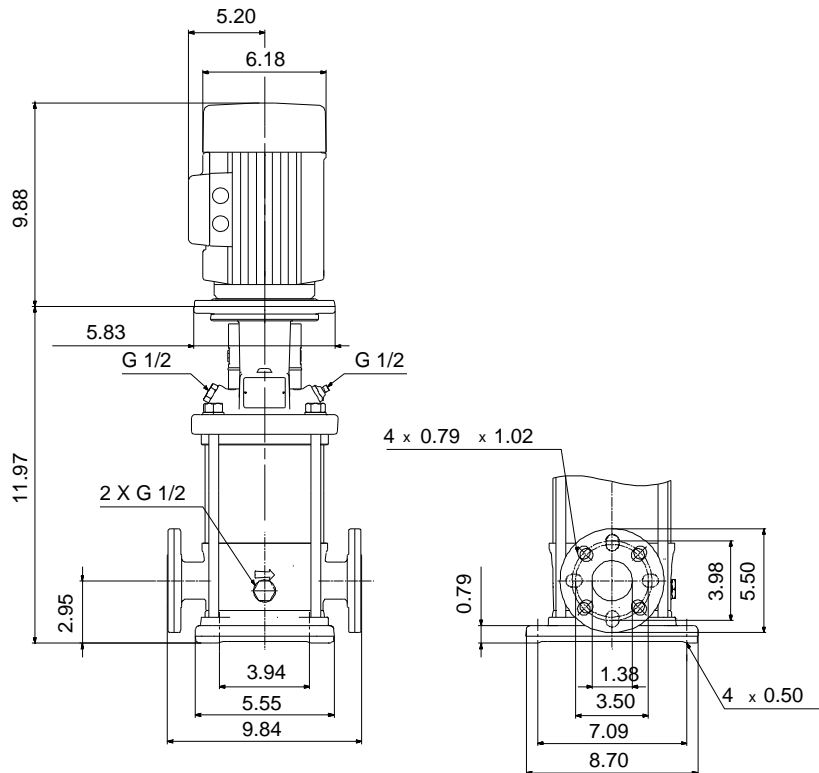
CR 1S-3

Vertical, multistage centrifugal pump with suction and discharge ports on the same level. The pump head and base are in cast iron. All other wetted parts are in stainless steel (EN 1.4301)(AISI 304)

Product photo could vary from the actual product

Conditions of Service	Pump Data	Motor Data
Flow: _____	Max pressure at stated temperature: 363 psi / 194 °F	Rated power - P2: 0.33 HP
Head: _____	Maximum ambient temperature: 104 °F	Rated voltage: 115/230 V
Efficiency: _____	Approvals: CURUS	Main frequency: 60 Hz
Liquid: Water	Shaft seal: HQQV	Insulation class: B
Temperature: 68 °F	Product number: 96081117	Motor type: BALDOR
NPSH required: ft		
Viscosity: _____		
Specific Gravity: 1.000		





Materials:

Base: Cast iron
 EN 1561 EN-GJL-200
 ASTM A48-25B

Impeller: Stainless steel
 AISI 304
 EN 1.4301

Material code: A
 Code for rubber: V

Tender Text



Product No.: [96081117](#)

CR 1S-3 A-FGJ-A-V-HQQV

Vertical, non-self-priming, multistage, in-line, centrifugal pump for installation in pipe systems and mounting on a foundation.

The pump has the following characteristics:

- Impellers and intermediate chambers are made of
- The shaft seal has assembly length

according to EN 12756.

- Power transmission is via cast iron split coupling.

The motor is a 1-phase AC motor.

Controls:

Frequency converter: NONE

Liquid:

Pumped liquid: Water

Liquid temperature during operation: 68 °F

Density: 62.29 lb/ft³

Technical:

Speed for pump data: 3436 rpm

Pump orientation: Vertical

Shaft seal arrangement: Single

Code for shaft seal: HQQV

Approvals on nameplate: CURUS

Curve tolerance: ISO9906:2012 3B

Materials:

Base: Cast iron
EN 1561 EN-GJL-200
ASTM A48-25B

Impeller: Stainless steel
EN 1.4301

Bearing material: AISI 304

SIC

Installation:

Maximum ambient temperature: 104 °F

Max pressure at stated temperature: 363 psi / 194 °F
363 psi / -4 °F

Type of connection: DIN / ANSI / JIS

Size of inlet connection: DN 25/32

Size of suction port: 1 1/4 inch

Size of outlet connection: DN 25/32



Company name:

Created by:

Phone:

Date:

2/20/2018


Size of outlet port: 1 1/4 inch
Pressure rating: PN 25
Flange size for motor: 56C
Flange rating inlet: 250 lb

Electrical data:

Motor standard: NEMA
Motor type: BALDOR
IE Efficiency class: NA
Rated power - P2: 0.33 HP
Power (P2) required by pump: 0.33 HP
Main frequency: 60 Hz
Rated voltage: 1 x 115/230 V
Service factor: 1,35
Rated current: 6,00/3,00 A
Rated speed: 3450 rpm
Number of poles: 2
Insulation class (IEC 85): B

Others:

Net weight: 58.2 lb
Gross weight: 69.2 lb
Shipping volume: 4.94 ft³

Position	Count	Description
	1	<p>CR 1S-3 A-FGJ-A-V-HQQV</p>  <p>Product No.: 96081117 Vertical, non-self-priming, multistage, in-line, centrifugal pump for installation in pipe systems and mounting on a foundation.</p> <p>The pump has the following characteristics:</p> <ul style="list-style-type: none"> - Impellers and intermediate chambers are made of - The shaft seal has assembly length according to EN 12756. - Power transmission is via cast iron split coupling. <p>The motor is a 1-phase AC motor.</p> <p>Controls: Frequency converter: NONE</p> <p>Liquid: Pumped liquid: Water Liquid temperature during operation: 68 °F Density: 62.29 lb/ft³</p> <p>Technical: Speed for pump data: 3436 rpm Pump orientation: Vertical Shaft seal arrangement: Single Code for shaft seal: HQQV Approvals on nameplate: CURUS Curve tolerance: ISO9906:2012 3B</p> <p>Materials: Base: Cast iron EN 1561 EN-GJL-200 ASTM A48-25B Impeller: Stainless steel EN 1.4301 AISI 304 Bearing material: SIC</p> <p>Installation: Maximum ambient temperature: 104 °F Max pressure at stated temperature: 363 psi / 194 °F 363 psi / -4 °F</p> <p>Type of connection: DIN / ANSI / JIS Size of inlet connection: DN 25/32 Size of suction port: 1 1/4 inch Size of outlet connection: DN 25/32 Size of outlet port: 1 1/4 inch</p>



Company name:

Created by:

Phone:

Date:

2/20/2018

Position	Count	Description
		Pressure rating: PN 25 Flange size for motor: 56C Flange rating inlet: 250 lb
		Electrical data: Motor standard: NEMA Motor type: BALDOR IE Efficiency class: NA Rated power - P2: 0.33 HP Power (P2) required by pump: 0.33 HP Main frequency: 60 Hz Rated voltage: 1 x 115/230 V Service factor: 1,35 Rated current: 6,00/3,00 A Rated speed: 3450 rpm Number of poles: 2 Insulation class (IEC 85): B
		Others: Net weight: 58.2 lb Gross weight: 69.2 lb Shipping volume: 4.94 ft ³



Company name:

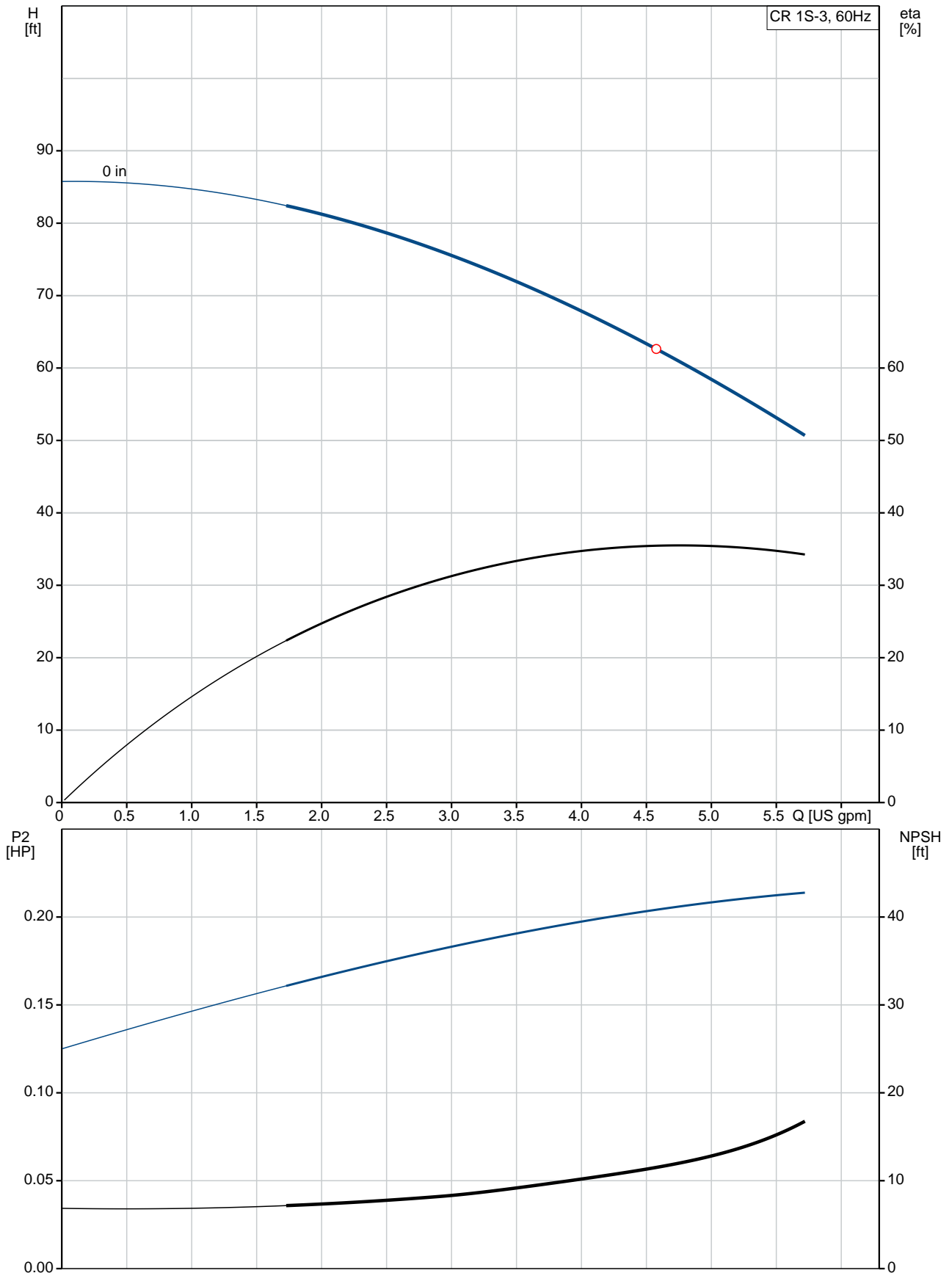
Created by:

Phone:

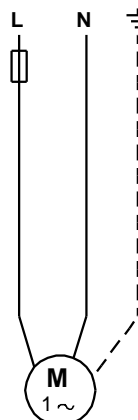
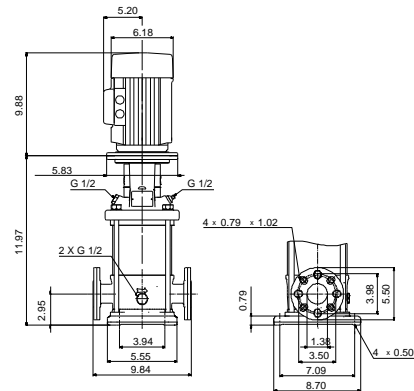
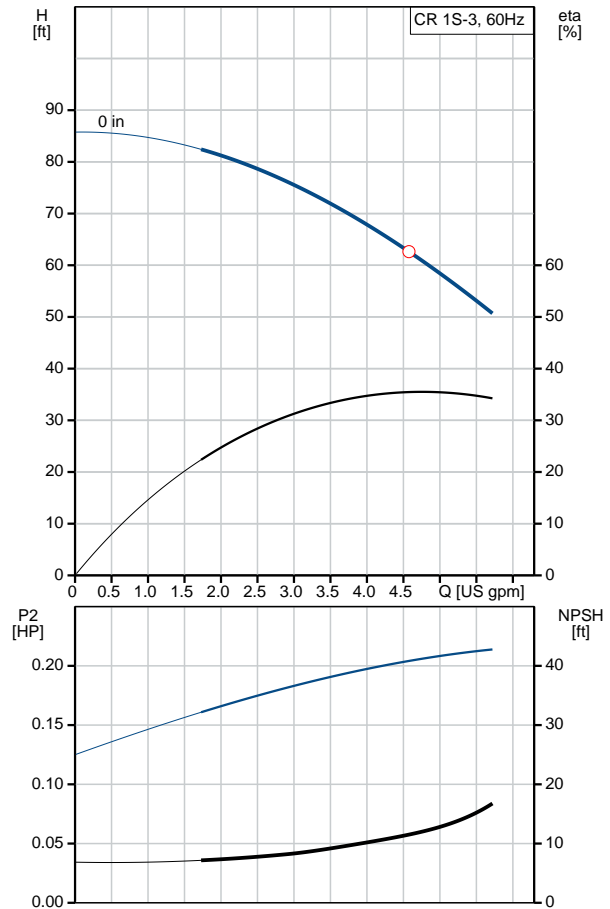
Date:

2/20/2018

96081117 CR 1S-3 60 Hz



Description	Value
General information:	
Product name:	CR 1S-3 A-FGJ-A-V-HQQV
Product No.:	96081117
EAN:	5700395155815
Technical:	
Speed for pump data:	3436 rpm
Stages:	3
Impellers:	3
Low NPSH:	N
Pump orientation:	Vertical
Shaft seal arrangement:	Single
Code for shaft seal:	HQQV
Approvals on nameplate:	CURUS
Curve tolerance:	ISO9906:2012 3B
Pump version:	A
Model:	A
Cooling:	TEFC
Materials:	
Base:	Cast iron EN 1561 EN-GJL-200 ASTM A48-25B
Impeller:	Stainless steel EN 1.4301 AISI 304
Material code:	A
Code for rubber:	V
Bearing material:	SIC
Installation:	
Maximum ambient temperature:	104 °F
Max pressure at stated temperature:	363 psi / 194 °F 363 psi / -4 °F
Type of connection:	DIN / ANSI / JIS
Connect code:	FGJ
Size of inlet connection:	DN 25/32
Size of suction port:	1 1/4 inch
Size of outlet connection:	DN 25/32
Size of outlet port:	1 1/4 inch
Pressure rating:	PN 25
Flange size for motor:	56C
Flange rating inlet:	250 lb
Liquid:	
Pumped liquid:	Water
Liquid temperature during operation:	68 °F
Density:	62.29 lb/ft ³
Electrical data:	
Motor standard:	NEMA
Motor type:	BALDOR
IE Efficiency class:	NA
Rated power - P2:	0.33 HP
Power (P2) required by pump:	0.33 HP
Main frequency:	60 Hz
Rated voltage:	1 x 115/230 V
Service factor:	1,35
Rated current:	6,00/3,00 A





Company name:

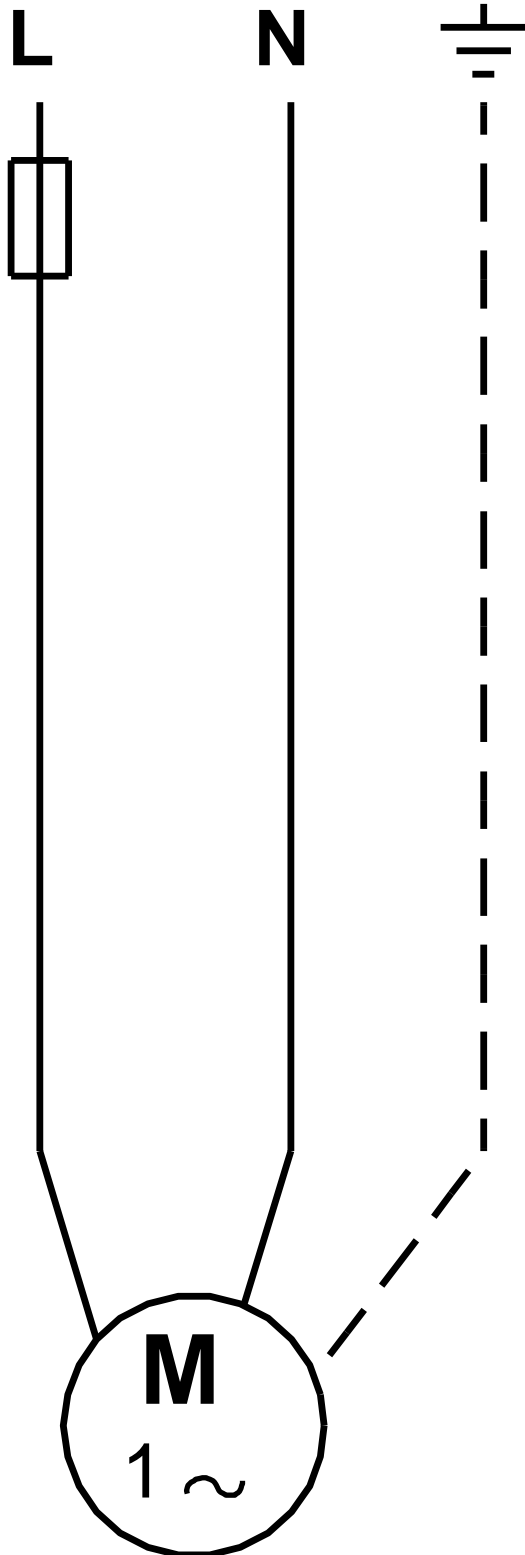
Created by:

Phone:

Date: 2/20/2018

Description	Value
Load current:	6,8/3,4 A
Rated speed:	3450 rpm
Number of poles:	2
Insulation class (IEC 85):	B
Motor Number:	85680001
Controls:	
Frequency converter:	NONE
Others:	
Net weight:	58.2 lb
Gross weight:	69.2 lb
Shipping volume:	4.94 ft ³

96081117 CR 1S-3 60 Hz



All units are [mm] unless otherwise presented.



Company name:

Created by:

Phone:

Date:

2/20/2018

Order Data:

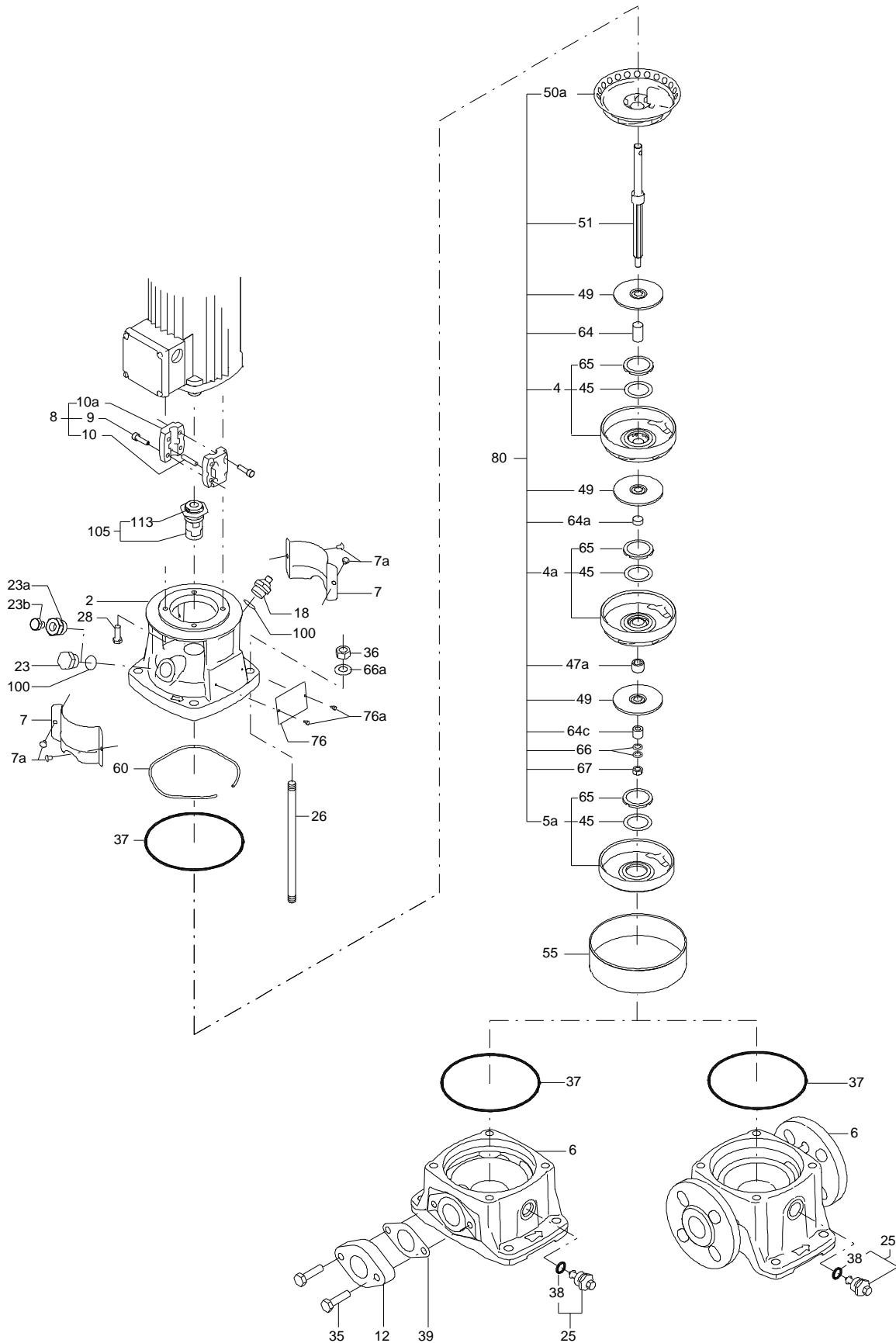
Product name: CR 1S-3 A-FGJ-A-V-HQQV

Amount: 1

Product No.: 96081117

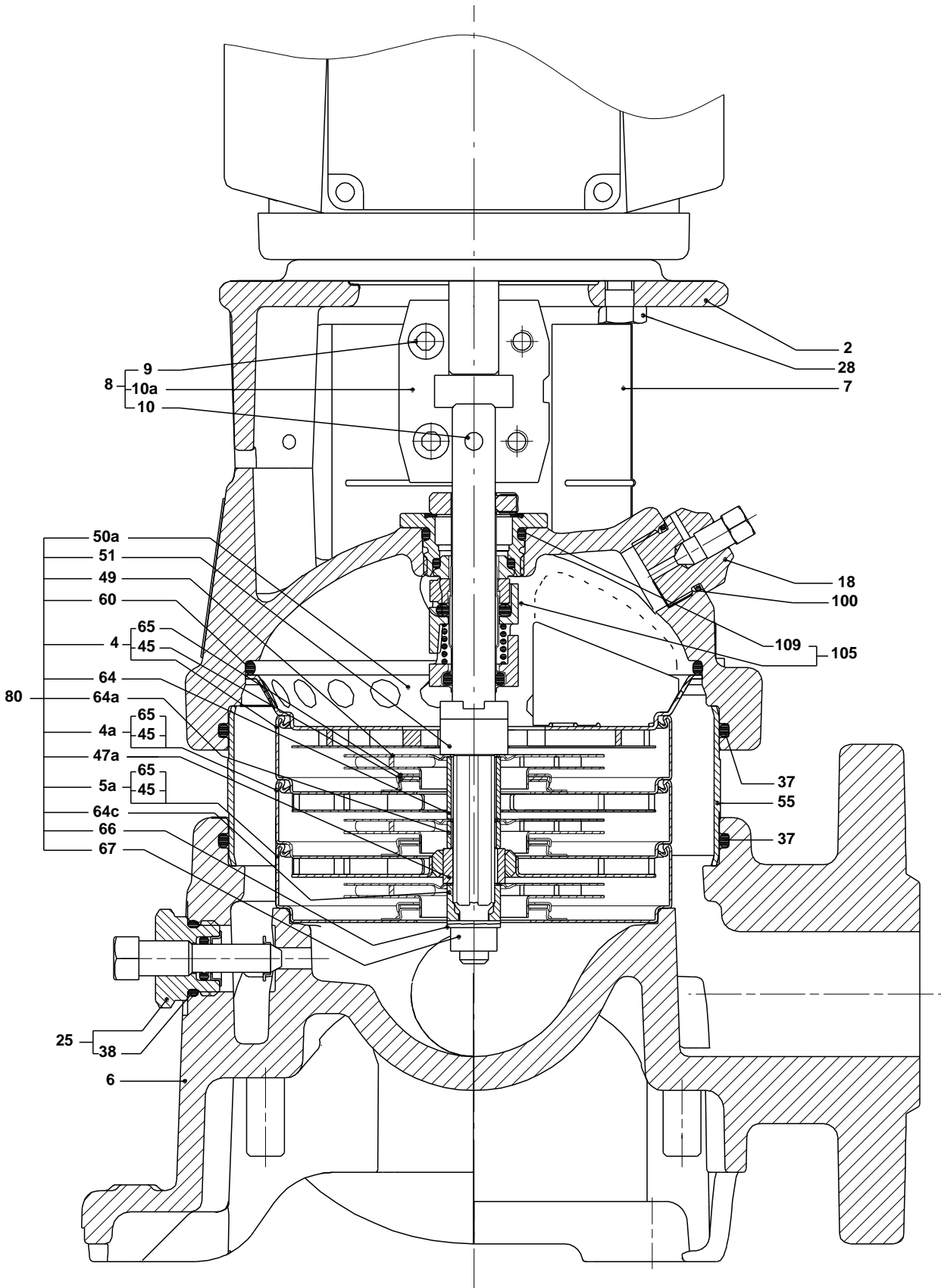
Total: Price on request

Exploded view (tm020210 4100)



TM020210

Sectional drawing (tm020211 4100)



Parts list CR 1S-3, Prod number 96081117

Valid from 1.1.2004 (0401)

Position	Description	Annotation	Classification data	Part No.	Count	Unit
	Motor				1	pcs
-	Base cpl.				1	pcs
6	Base				1	
-	Sealing parts				1	pcs
- 25	Drain plug w/bypass valve				1	
38	O-ring		Diameter: 16,3			
			Material type: FKM			
			Thickness: 2,4			
37	O-ring		Diameter: 137,5		2	
			Material type: FKM			
			Thickness: 3,3			
100	O-ring		Diameter: 16,3		2	
			Material type: FKM			
			Thickness: 2,4			
- 2	Pump head cpl.				1	pcs
2	Pump head				1	
7	Coupling guard				2	
7a	Thread cutting screw				4	
- 18	Air vent screw				1	
	Plug					
	Spindle					
- 25	Drain plug				1	
23	Pipe plug					
25	Drain plug					
28	Hex head cap screw		Length: 25		4	
			Thread: UNC 3/8"			
60	Formed wire spring				1	
+ 8	Coupling cpl.				1	pcs
26	Staybolt		Length: 79		4	pcs
			Thread: M12			
36a	Washer		Designation: DIN 125 A		4	pcs
			Inner diameter: 13			
			Outer diameter: 24			
			Thickness: 2,5			
55	Outer sleeve				1	pcs
66a	Nut		Thread: M12		4	pcs
- 80	Chamber stack				1	pcs
-	Guide vane cpl.				1	
	Plate					
50a	Guide vane					
50b	Top plate					
- 4	Chamber cpl.				1	
	Guide vane					
	Plate					
	Retainer					
	Intermediate chamber					
	Vane					
45	Neck ring					
65	Retainer					
- 4a	Chamber w. bearing cpl.				1	
	Guide vane					
	Retainer for bearing					
	Bearing bush					

Position	Description	Annotation	Classification data	Part No.	Count	Unit
	Retainer					
	Intermediate chamber					
	Vane					
45	Neck ring					
65	Retainer					
- 5a	Chamber cpl.				1	
	Retainer					
	Intermediate chamber					
	Vane					
45	Neck ring					
65	Retainer					
36	Lock nut		Thread: M8		1	
47a	Bearing ring, rotating				1	
- 49	Impeller cpl.				3	
49	Impeller					
51	Shaft, spline, cpl.				1	
64a	Spacing pipe				1	
64a	Spacing pipe		Inner diameter: 12,85		1	
			Outer diameter: 15,85			
			Length: 4,50			
64c	Clamp, splined		Inner diameter: 8,5		1	
			Outer diameter: 15			
66	Wedge lock washer				1	
- 105	Shaft seal		Material type: HQQV		1	pcs
	O-ring				1	
	O-ring				1	
	O-ring				1	
	Seal driver, upper				1	
	Seal driver, lower				1	
	Spacer ring				1	
	Pipe				1	
	Plug				1	
	Plug				1	
	Compression spring				1	
	Socket set screw				3	
103	Seal ring, stationary				1	
105	Seal ring, rotating				1	
109	O-ring				1	
113	Driver				1	