

|                       |                        |                 |
|-----------------------|------------------------|-----------------|
| PROJECT: _____        | UNIT TAG: _____        | QUANTITY: _____ |
| REPRESENTATIVE: _____ | TYPE OF SERVICE: _____ | DATE: _____     |
| ENGINEER: _____       | SUBMITTED BY: _____    | DATE: _____     |
| CONTRACTOR: _____     | APPROVED BY: _____     | DATE: _____     |
|                       | ORDER NO.: _____       | DATE: _____     |

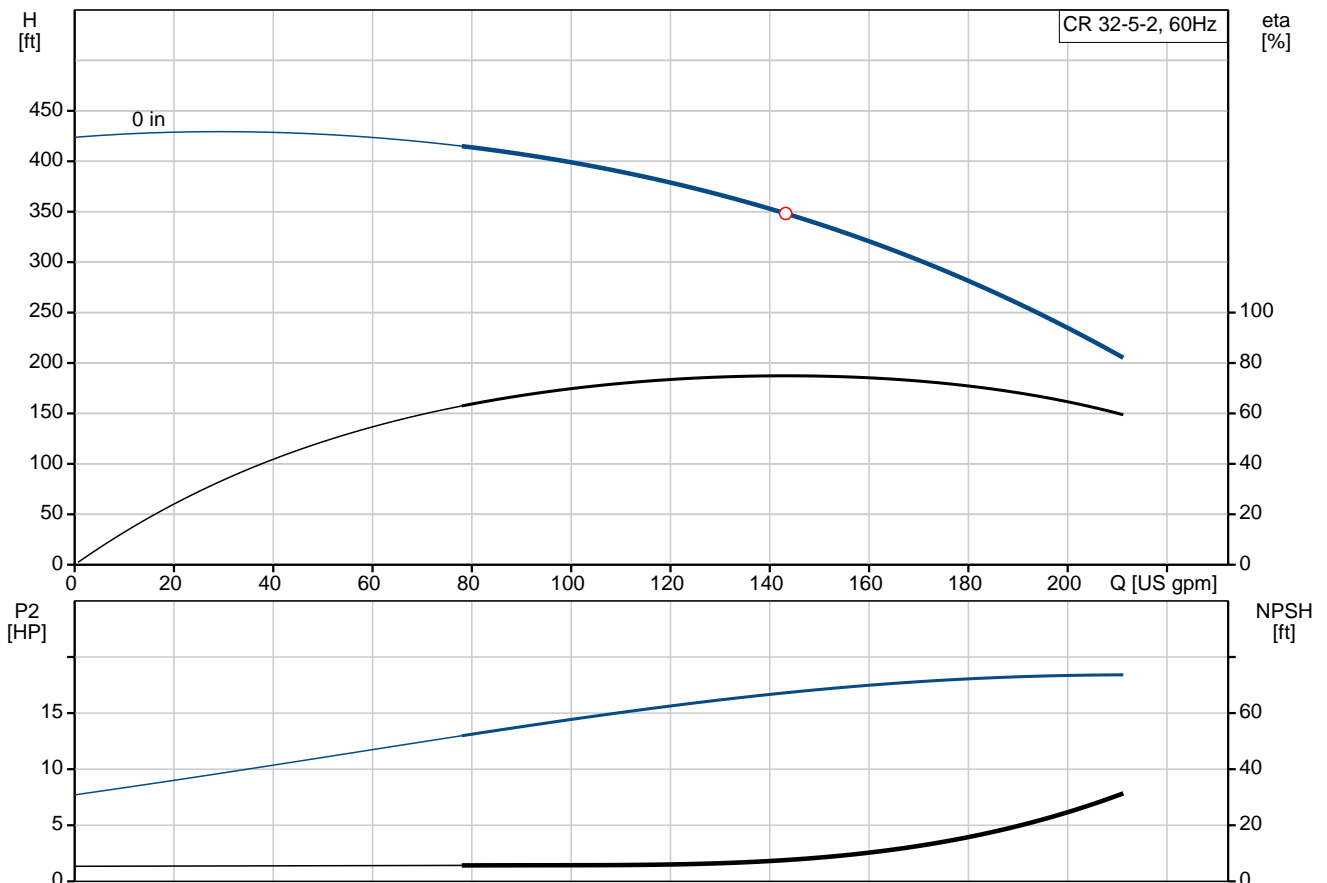


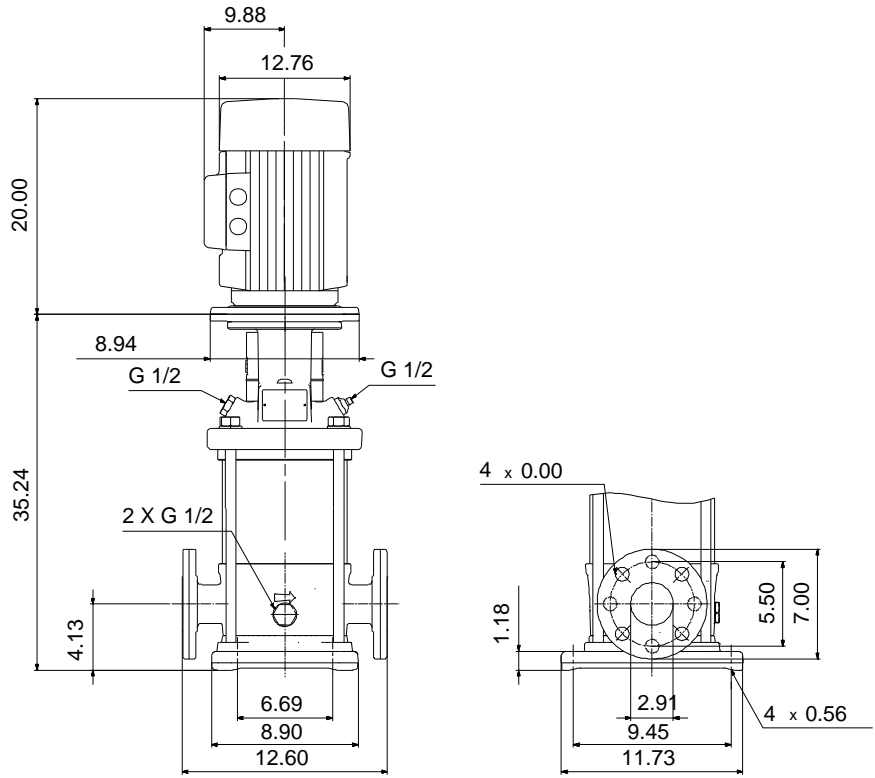
### CR 32-5-2

Vertical, multistage centrifugal pump with suction and discharge ports on the same level. The pump head and base are in cast iron. All other wetted parts are in stainless steel (EN 1.4301)(AISI 304)

Product photo could vary from the actual product

| Conditions of Service   | Pump Data  | Motor Data                         |
|-------------------------|--|------------------------------------|
| Flow: _____             | Max pressure at stated temperature: 232 psi / 250 °F | Rated power - P2: 20 HP            |
| Head: _____             | Maximum ambient temperature: 104 °F                  | Rated voltage: 208-230/460 V       |
| Efficiency: _____       | Approvals: CURUS, NSF61                              | Main frequency: 60 Hz              |
| Liquid: Water           | Shaft seal: HQQE                                     | Enclosure class: 54 Dust/Splashing |
| Temperature: 68 °F      | Product number: 96419555                             | Insulation class: F                |
| NPSH required: ft       |  | Motor protection: NONE             |
| Viscosity: _____        |  | Motor type: BALDOR                 |
| Specific Gravity: 1.000 |  |                                    |





**Materials:**

- Base: Cast iron  
EN 1563 EN-GJS-500-7  
ASTM A536 80-55-06
- Impeller: Stainless steel  
AISI 304  
EN 1.4301
- Material code: A
- Code for rubber: E

## Tender Text



Product No.: [96419555](#)

### CR 32-5-2 A-G-A-E-HQQE

Vertical, non-self-priming, multistage, in-line, centrifugal pump for installation in pipe systems and mounting on a foundation.

The pump has the following characteristics:

- Impellers and intermediate chambers are made of
- The shaft seal has assembly length

according to EN 12756.

- Power transmission is via cast iron split coupling.

The motor is a 3-phase AC motor.

#### Controls:

Frequency converter: NONE

#### Liquid:

Pumped liquid: Water

Liquid temperature during operation: 68 °F

Density: 62.29 lb/ft<sup>3</sup>

#### Technical:

Speed for pump data: 3497 rpm

Pump orientation: Vertical

Shaft seal arrangement: Single

Code for shaft seal: HQQE

Approvals on nameplate: CURUS, NSF61

Curve tolerance: ISO9906:2012 3B

#### Materials:

Base: Cast iron  
EN 1563 EN-GJS-500-7  
ASTM A536 80-55-06

Impeller: Stainless steel  
EN 1.4301  
AISI 304

Bearing material: SIC

Support bearing: Graflon

#### Installation:

Maximum ambient temperature: 104 °F

Max pressure at stated temperature: 232 psi / 250 °F  
232 psi / -22 °F

Type of connection: ANSI

Size of suction port: 2 1/2 inch

Size of outlet port: 2 1/2 inch



Company name:

Created by:

Phone:

Date:

2/20/2018


Pressure rating: PN 16  
Flange size for motor: 254TC  
Flange rating inlet: 150 lb

**Electrical data:**

Motor standard: NEMA  
Motor type: BALDOR  
IE Efficiency class: NEMA Premium / IE3 60Hz  
Rated power - P2: 20 HP  
Power (P2) required by pump: 20 HP  
Main frequency: 60 Hz  
Rated voltage: 3 x 208-230/460 V  
Service factor: 1,15  
Rated current: 48-44/22 A  
Rated speed: 3540 rpm  
Number of poles: 2  
Enclosure class (IEC 34-5): 54 Dust/Splashing  
Insulation class (IEC 85): F

**Others:**

Net weight: 454 lb  
Gross weight: 472 lb  
Shipping volume: 17.5 ft<sup>3</sup>

| Position | Count | Description   |
|----------|-------|---|
|          | 1     | <p><b>CR 32-5-2 A-G-A-E-HQQE</b></p>  <p>Product No.: <a href="#">96419555</a><br/>           Vertical, non-self-priming, multistage, in-line, centrifugal pump for installation in pipe systems and mounting on a foundation.</p> <p>The pump has the following characteristics:</p> <ul style="list-style-type: none"> <li>- Impellers and intermediate chambers are made of</li> <li>- The shaft seal has assembly length according to EN 12756.</li> <li>- Power transmission is via cast iron split coupling.</li> </ul> <p>The motor is a 3-phase AC motor.</p> <p>Controls:<br/>           Frequency converter: NONE</p> <p><b>Liquid:</b><br/>           Pumped liquid: Water<br/>           Liquid temperature during operation: 68 °F<br/>           Density: 62.29 lb/ft<sup>3</sup></p> <p><b>Technical:</b><br/>           Speed for pump data: 3497 rpm<br/>           Pump orientation: Vertical<br/>           Shaft seal arrangement: Single<br/>           Code for shaft seal: HQQE<br/>           Approvals on nameplate: CURUS,NSF61<br/>           Curve tolerance: ISO9906:2012 3B</p> <p><b>Materials:</b><br/>           Base: Cast iron<br/>                     EN 1563 EN-GJS-500-7<br/>                     ASTM A536 80-55-06<br/>           Impeller: Stainless steel<br/>                     EN 1.4301<br/>                     AISI 304<br/>           Bearing material: SIC<br/>           Support bearing: Graflon</p> <p><b>Installation:</b><br/>           Maximum ambient temperature: 104 °F<br/>           Max pressure at stated temperature: 232 psi / 250 °F<br/>             232 psi / -22 °F</p> <p>Type of connection: ANSI<br/>           Size of suction port: 2 1/2 inch<br/>           Size of outlet port: 2 1/2 inch<br/>           Pressure rating: PN 16</p> |



Company name:

Created by:

Phone:

Date:

2/20/2018

| Position | Count | Description   |
|----------|-------|---|
|          |       | Flange size for motor: 254TC<br>Flange rating inlet: 150 lb |
|          |       | <b>Electrical data:</b>                                     |
|          |       | Motor standard: NEMA  |
|          |       | Motor type: BALDOR  |
|          |       | IE Efficiency class: NEMA Premium / IE3 60Hz                |
|          |       | Rated power - P2: 20 HP                                     |
|          |       | Power (P2) required by pump: 20 HP                          |
|          |       | Main frequency: 60 Hz                                       |
|          |       | Rated voltage: 3 x 208-230/460 V                            |
|          |       | Service factor: 1,15  |
|          |       | Rated current: 48-44/22 A                                   |
|          |       | Rated speed: 3540 rpm                                       |
|          |       | Number of poles: 2  |
|          |       | Enclosure class (IEC 34-5): 54 Dust/Splashing               |
|          |       | Insulation class (IEC 85): F                                |
|          |       | <b>Others:</b>  |
|          |       | Net weight: 454 lb  |
|          |       | Gross weight: 472 lb  |
|          |       | Shipping volume: 17.5 ft <sup>3</sup>                       |



Company name:

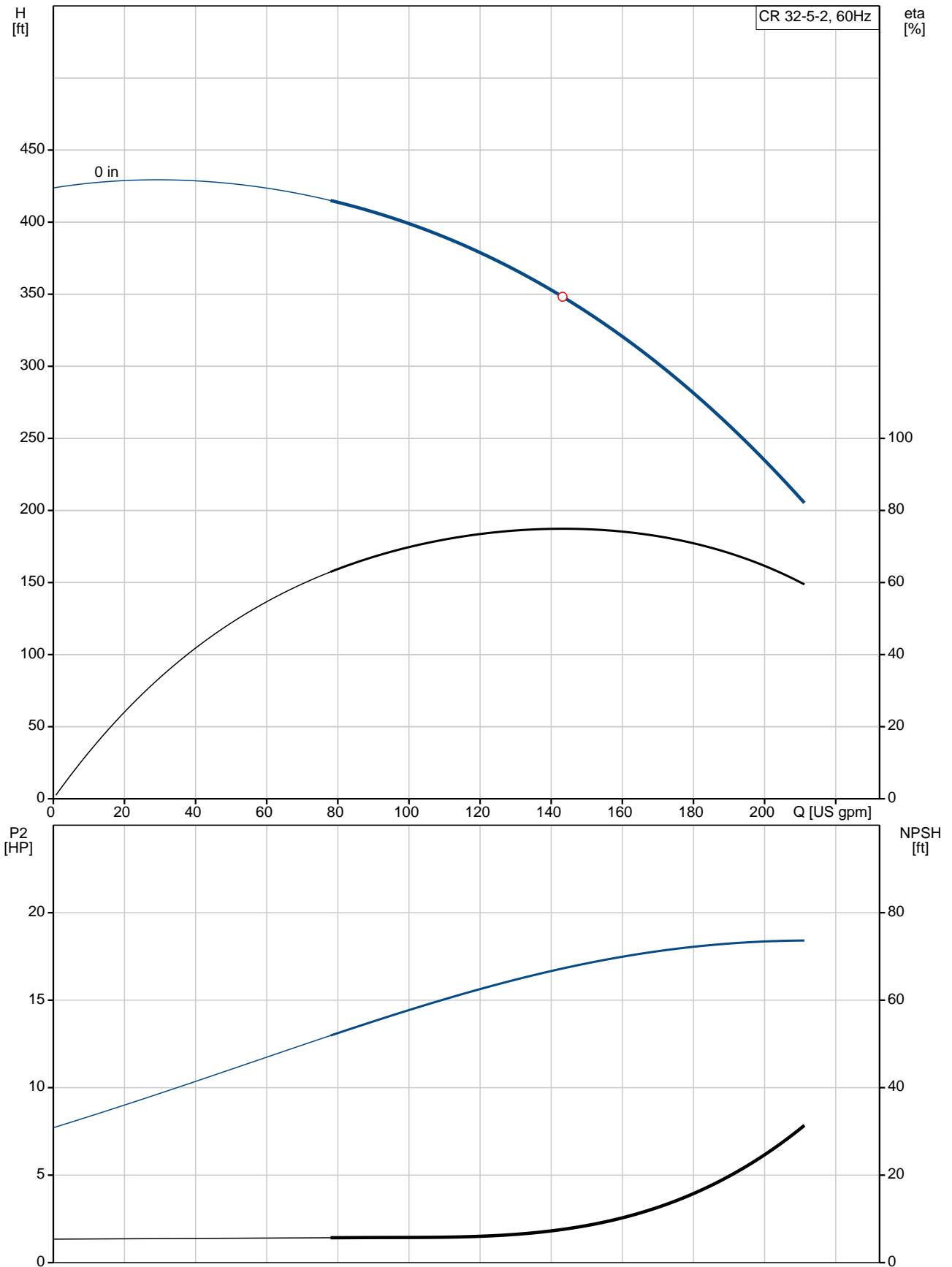
Created by:

Phone:

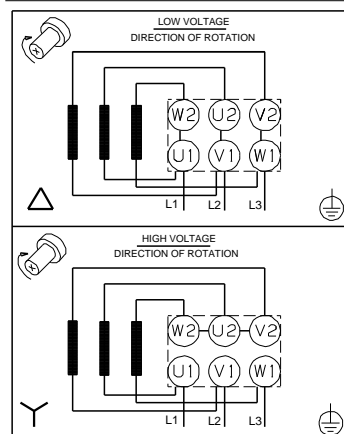
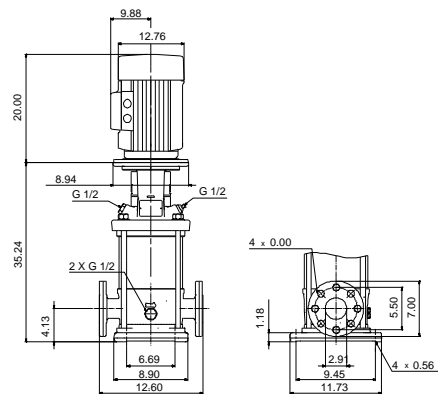
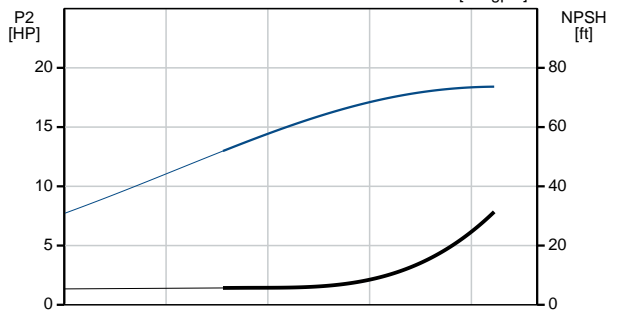
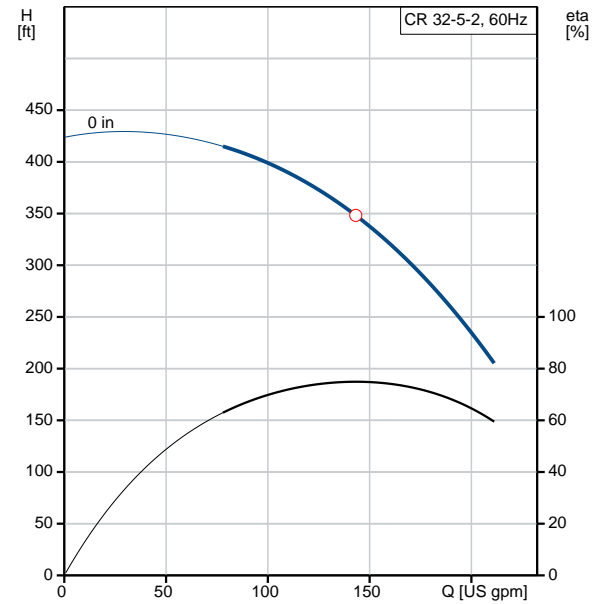
Date:

2/20/2018

### 96419555 CR 32-5-2 60 Hz



| Description                           | Value                    |
|---------------------------------------|--------------------------|
| <b>General information:</b>           |                          |
| Product name:                         | CR 32-5-2 A-G-A-E-HQQE   |
| Product No.:                          | 96419555                 |
| EAN:                                  | 5700390764630            |
| <b>Technical:</b>                     |                          |
| Speed for pump data:                  | 3497 rpm                 |
| Stages:                               | 5                        |
| Impellers:                            | 5                        |
| Number of reduced-diameter impellers: | 2                        |
| Low NPSH:                             | N                        |
| Pump orientation:                     | Vertical                 |
| Shaft seal arrangement:               | Single                   |
| Code for shaft seal:                  | HQQE                     |
| Approvals on nameplate:               | CURUS,NSF61              |
| Curve tolerance:                      | ISO9906:2012 3B          |
| Pump version:                         | A                        |
| Model:                                | B                        |
| Cooling:                              | TEFC                     |
| <b>Materials:</b>                     |                          |
| Base:                                 | Cast iron                |
|                                       | EN 1563 EN-GJS-500-7     |
|                                       | ASTM A536 80-55-06       |
| Impeller:                             | Stainless steel          |
|                                       | EN 1.4301                |
|                                       | AISI 304                 |
| Material code:                        | A                        |
| Code for rubber:                      | E                        |
| Bearing material:                     | SIC                      |
| Support bearing:                      | Graflon                  |
| <b>Installation:</b>                  |                          |
| Maximum ambient temperature:          | 104 °F                   |
| Max pressure at stated temperature:   | 232 psi / 250 °F         |
|                                       | 232 psi / -22 °F         |
| Type of connection:                   | ANSI                     |
| Connect code:                         | G                        |
| Size of suction port:                 | 2 1/2 inch               |
| Size of outlet port:                  | 2 1/2 inch               |
| Pressure rating:                      | PN 16                    |
| Flange size for motor:                | 254TC                    |
| Flange rating inlet:                  | 150 lb                   |
| <b>Liquid:</b>                        |                          |
| Pumped liquid:                        | Water                    |
| Liquid temperature during operation:  | 68 °F                    |
| Density:                              | 62.29 lb/ft <sup>3</sup> |
| <b>Electrical data:</b>               |                          |
| Motor standard:                       | NEMA                     |
| Motor type:                           | BALDOR                   |
| IE Efficiency class:                  | NEMA Premium / IE3 60Hz  |
| Rated power - P2:                     | 20 HP                    |
| Power (P2) required by pump:          | 20 HP                    |
| KVA code:                             | K                        |
| Main frequency:                       | 60 Hz                    |
| Rated voltage:                        | 3 x 208-230/460 V        |







Company name:

Created by:

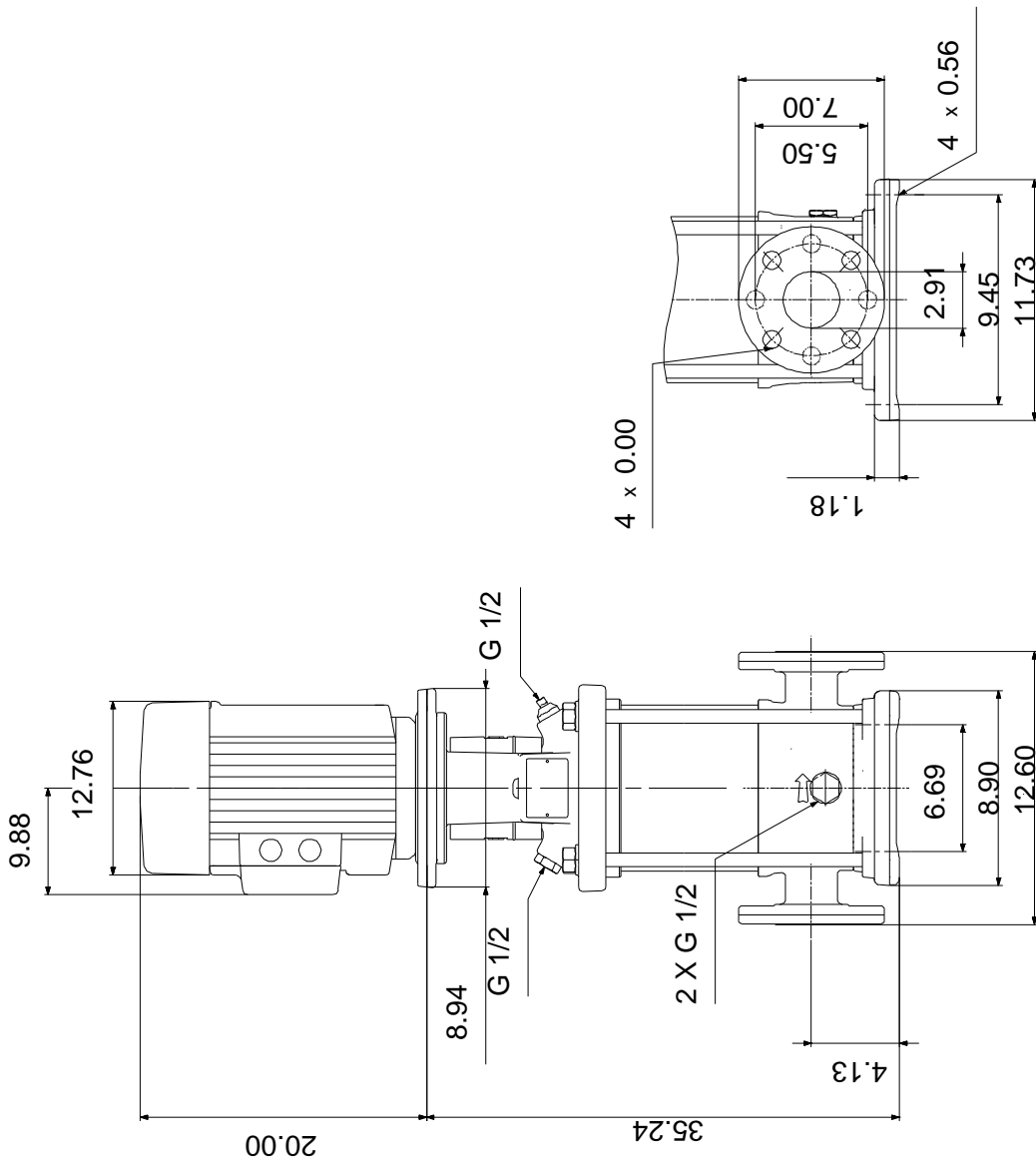
Phone:

Date:

2/20/2018

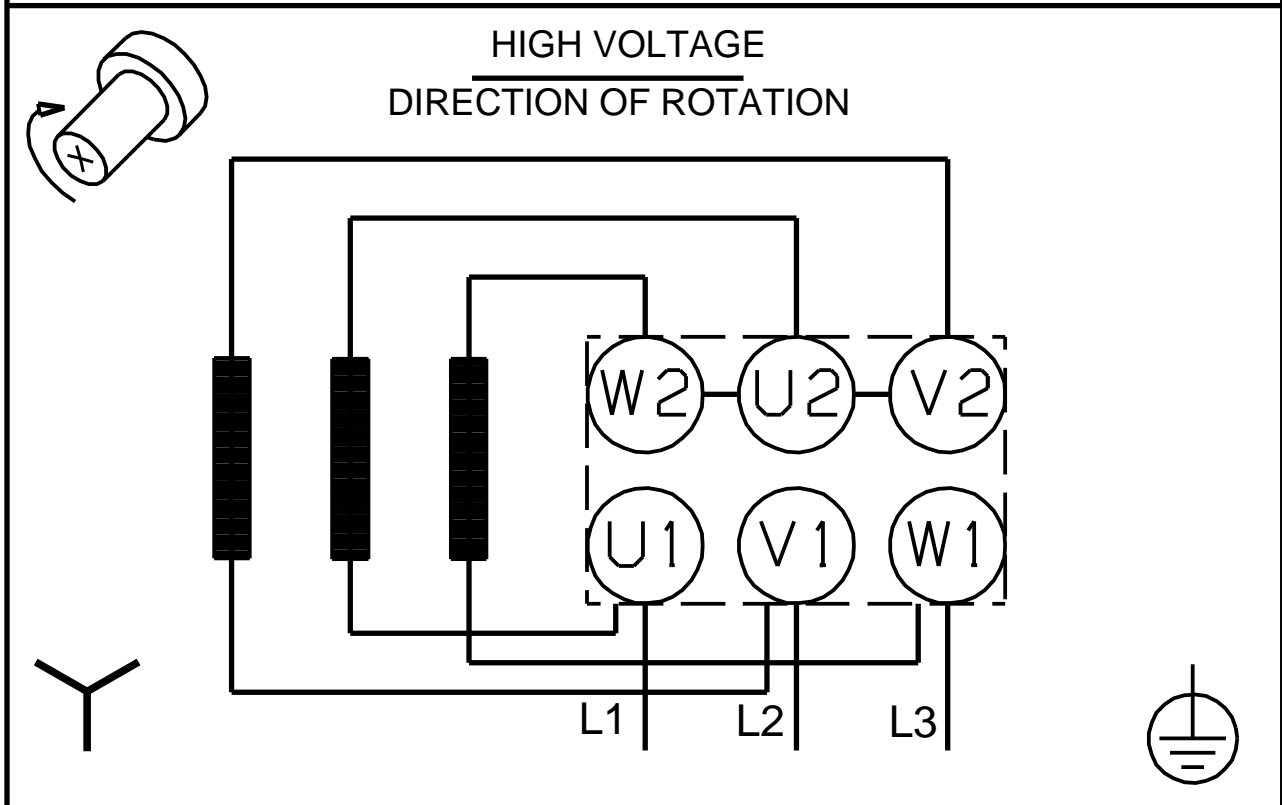
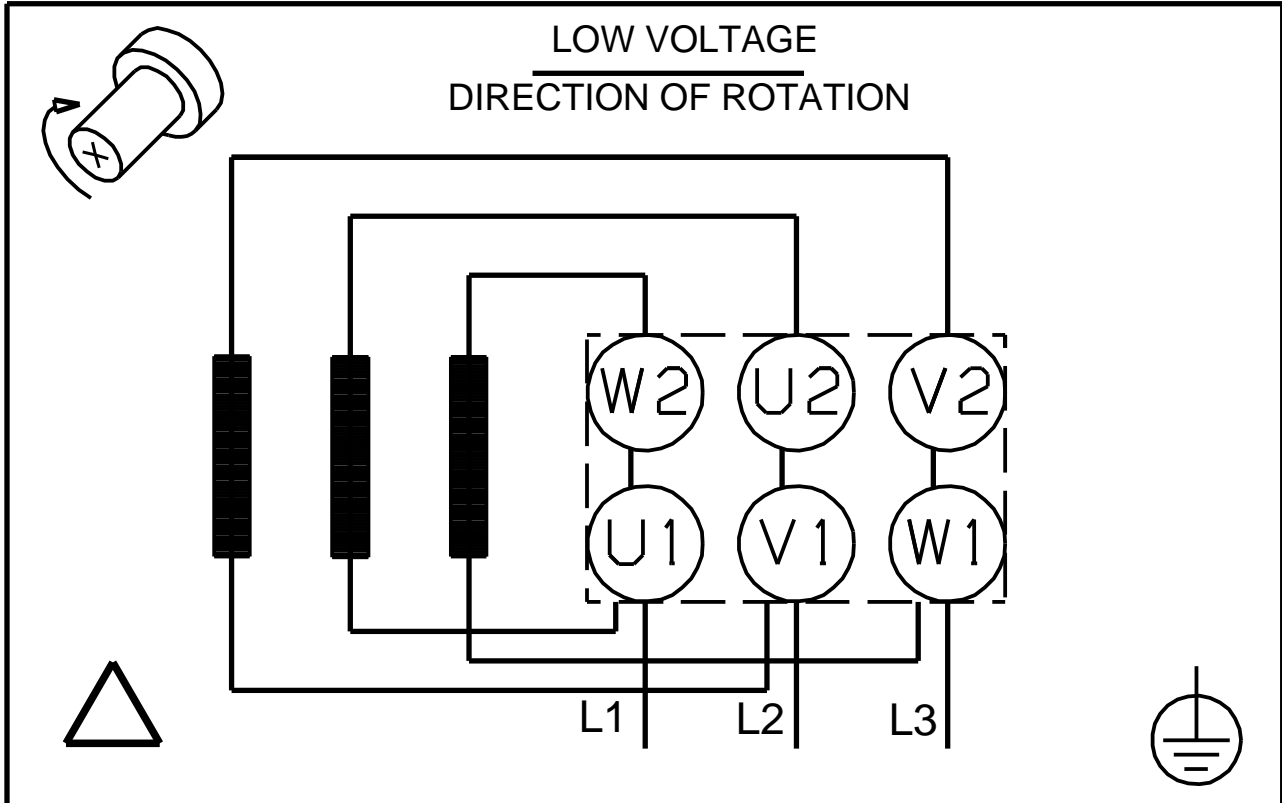
| Description                 | Value                |
|-----------------------------|----------------------|
| Service factor:             | 1,15                 |
| Rated current:              | 48-44/22 A           |
| Load current:               | 56-50/25 A           |
| Rated speed:                | 3540 rpm             |
| Number of poles:            | 2                    |
| Enclosure class (IEC 34-5): | 54 Dust/Splashing    |
| Insulation class (IEC 85):  | F                    |
| Motor protection:           | NONE                 |
| Motor Number:               | 84Z03971             |
| <b>Controls:</b>            |                      |
| Frequency converter:        | NONE                 |
| <b>Others:</b>              |                      |
| Net weight:                 | 454 lb               |
| Gross weight:               | 472 lb               |
| Shipping volume:            | 17.5 ft <sup>3</sup> |
| Sales region:               | Namreg               |

**96419555 CR 32-5-2 60 Hz**



Note! All units are in [mm] unless otherwise stated.  
 Disclaimer: This simplified dimensional drawing does not show all details.

**96419555 CR 32-5-2 60 Hz**



All units are [mm] unless otherwise presented.



Company name:

Created by:

Phone:

Date: 2/20/2018

---

**Order Data:**

Product name: CR 32-5-2 A-G-A-E-HQQE

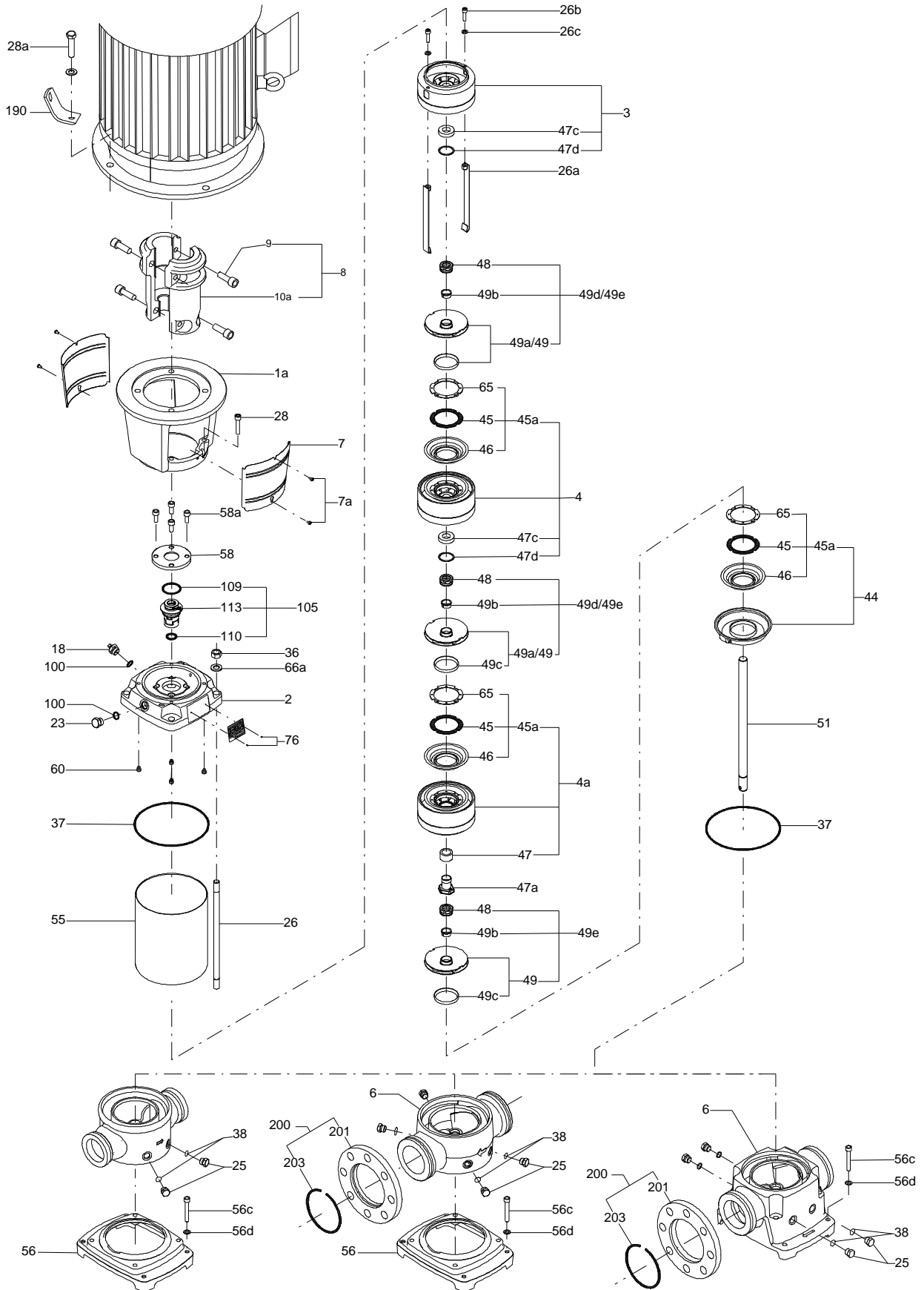
Amount: 1

Product No.: 96419555

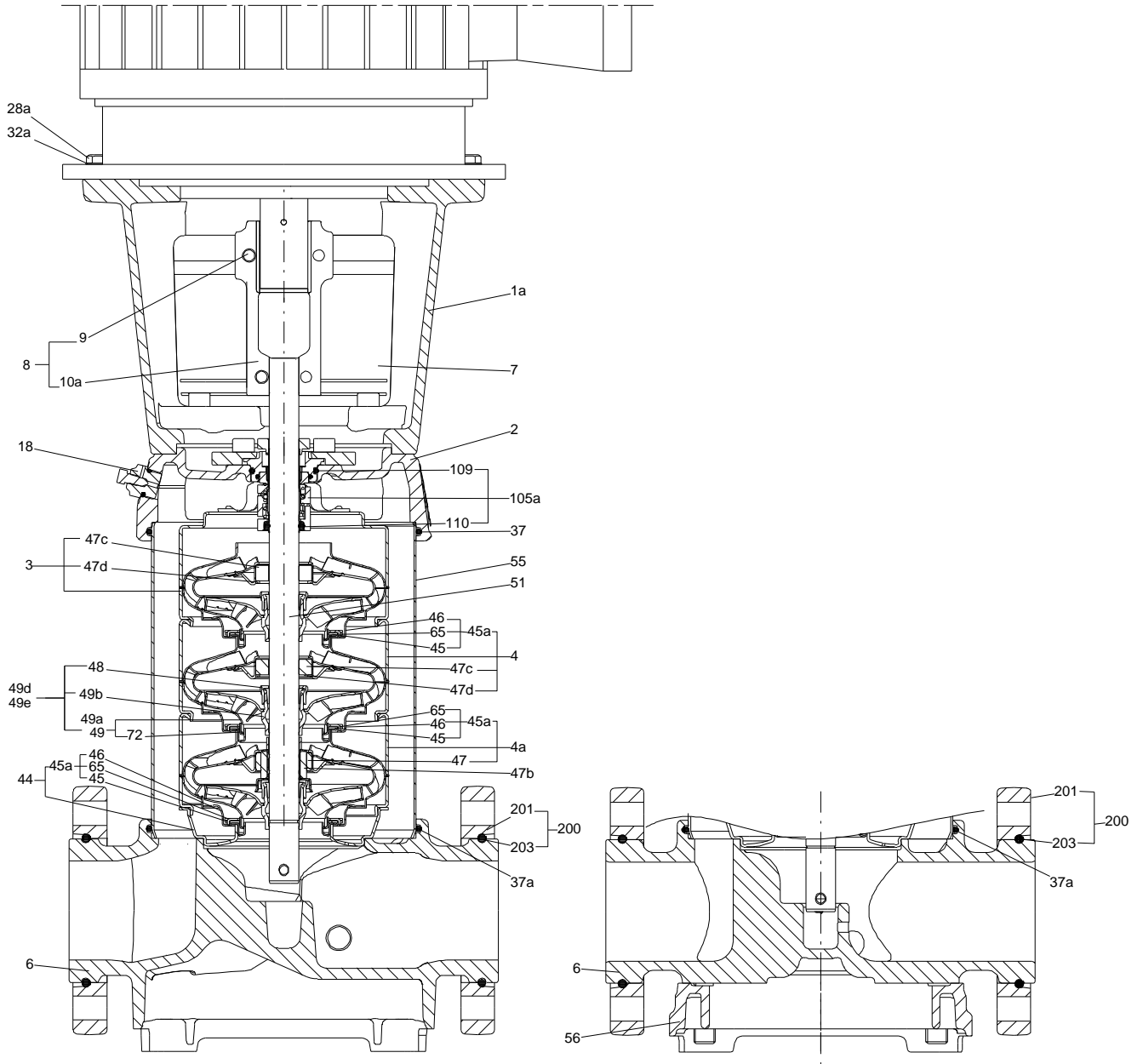
Total: Price on request

---

## Exploded view (TM065558 LACR )



## Sectional drawing ( TM065571 LACR)



**Parts list CR 32-5-2, Prod number 96419555**  
**Valid from 3.3.2014 (1410)**

| Position | Description               | Annotation | Classification data    | Part No. | Count | Unit |
|----------|---------------------------|------------|------------------------|----------|-------|------|
|          | Motor                     |            |                        |          | 1     | pcs  |
| -        | Flange cpl.               |            |                        |          | 2     | pcs  |
| 201      | Flange                    |            |                        |          | 1     |      |
| 203      | Lock ring                 |            |                        |          | 1     |      |
| -        | Motor stool cpl.          |            |                        |          | 1     | pcs  |
| 1a       | Motor stool               |            |                        |          | 1     |      |
| 7        | Coupling guard            |            |                        |          | 2     |      |
| 7a       | Socket button head screw  |            |                        |          | 4     |      |
| 28       | Hex socket head cap screw |            | Designation: DIN 912   |          | 4     |      |
|          |                           |            | Length: 50             |          |       |      |
|          |                           |            | Thread: M10            |          |       |      |
| 28a      | Hex socket head cap screw |            | Length: 13             |          | 4     |      |
|          |                           |            | Thread: 1/2"           |          |       |      |
| - 1      | Basic unit                |            |                        |          | 1     | pcs  |
| - 2a     | Pump head cpl.            |            |                        |          | 1     |      |
| 2        | Pump head                 |            |                        |          |       |      |
| 9        | Hex socket head cap screw |            | Designation: DIN 912   |          |       |      |
|          |                           |            | Length: 25             |          |       |      |
|          |                           |            | Thread: M10            |          |       |      |
| - 18     | Air vent screw            |            |                        |          |       |      |
|          | Plug                      |            |                        |          |       |      |
|          | Spindle                   |            |                        |          |       |      |
| 23       | Plug                      |            |                        |          |       |      |
| 37       | O-ring                    |            |                        |          |       |      |
| 58       | Cover                     |            |                        |          |       |      |
| 60       | Spring                    |            |                        |          |       |      |
| 100      | O-ring                    |            | Diameter: 16,3         |          |       |      |
|          |                           |            | Material type: EPDM    |          |       |      |
|          |                           |            | Thickness: 2,4         |          |       |      |
| - 6b     | Base cpl.                 |            | Rubber type: EPDM      |          | 1     |      |
| 6        | Base                      |            |                        |          |       |      |
| 25       | Plug                      |            |                        |          |       |      |
| 32       | Washer                    |            | Designation: DIN 125A  |          |       |      |
|          |                           |            | Inner diameter: 6,4    |          |       |      |
|          |                           |            | Outer diameter: 12,0   |          |       |      |
|          |                           |            | Thickness: 1,6         |          |       |      |
| 37       | O-ring                    |            |                        |          |       |      |
| 38       | O-ring                    |            | Diameter: 16,3         |          |       |      |
|          |                           |            | Material type: EPDM    |          |       |      |
|          |                           |            | Thickness: 2,4         |          |       |      |
| 26       | Staybolt                  |            | Length: 496            |          | 4     |      |
|          |                           |            | Thread: M16            |          |       |      |
| 36       | Hex nut                   |            | Thread: M16            |          | 4     |      |
| 55       | Outer sleeve              |            | Outer diameter: 197,0  |          | 1     |      |
|          |                           |            | Length: 375,5          |          |       |      |
| 66a      | Washer                    |            | Designation: DIN 125 A |          | 4     |      |
|          |                           |            | Inner diameter: 17     |          |       |      |
|          |                           |            | Outer diameter: 30     |          |       |      |
|          |                           |            | Thickness: 3           |          |       |      |
| 80       | Chamber stack             |            |                        |          | 1     |      |
| - 8      | Coupling cpl.             |            | Dimension: 22/41,2     |          | 1     | pcs  |
| 9        | Hex socket head cap screw |            | Designation: DIN 912   |          | 4     |      |
|          |                           |            | Length: 25             |          |       |      |



Company name:

Created by:

Phone:

Date: 2/20/2018

| Position | Description    | Annotation | Classification data | Part No. | Count | Unit |
|----------|----------------|------------|---------------------|----------|-------|------|
|          |                |            | Thread: M10         |          |       |      |
| 10a      | Coupling half  |            |                     |          | 2     |      |
| - 105    | Shaft seal     |            | Material type: HQQE |          | 1     | pcs  |
|          | Adjusting fork |            |                     |          | 1     |      |
| 109      | O-ring         |            |                     |          | 1     |      |
| 110      | O-ring         |            | Diameter: 21,5      |          | 1     |      |
|          |                |            | Material type: EPDM |          |       |      |
|          |                |            | Thickness: 4,25     |          |       |      |