

PROJECT: _____	UNIT TAG: _____	QUANTITY: _____
REPRESENTATIVE: _____	TYPE OF SERVICE: _____	DATE: _____
ENGINEER: _____	SUBMITTED BY: _____	DATE: _____
CONTRACTOR: _____	APPROVED BY: _____	DATE: _____
	ORDER NO.: _____	DATE: _____

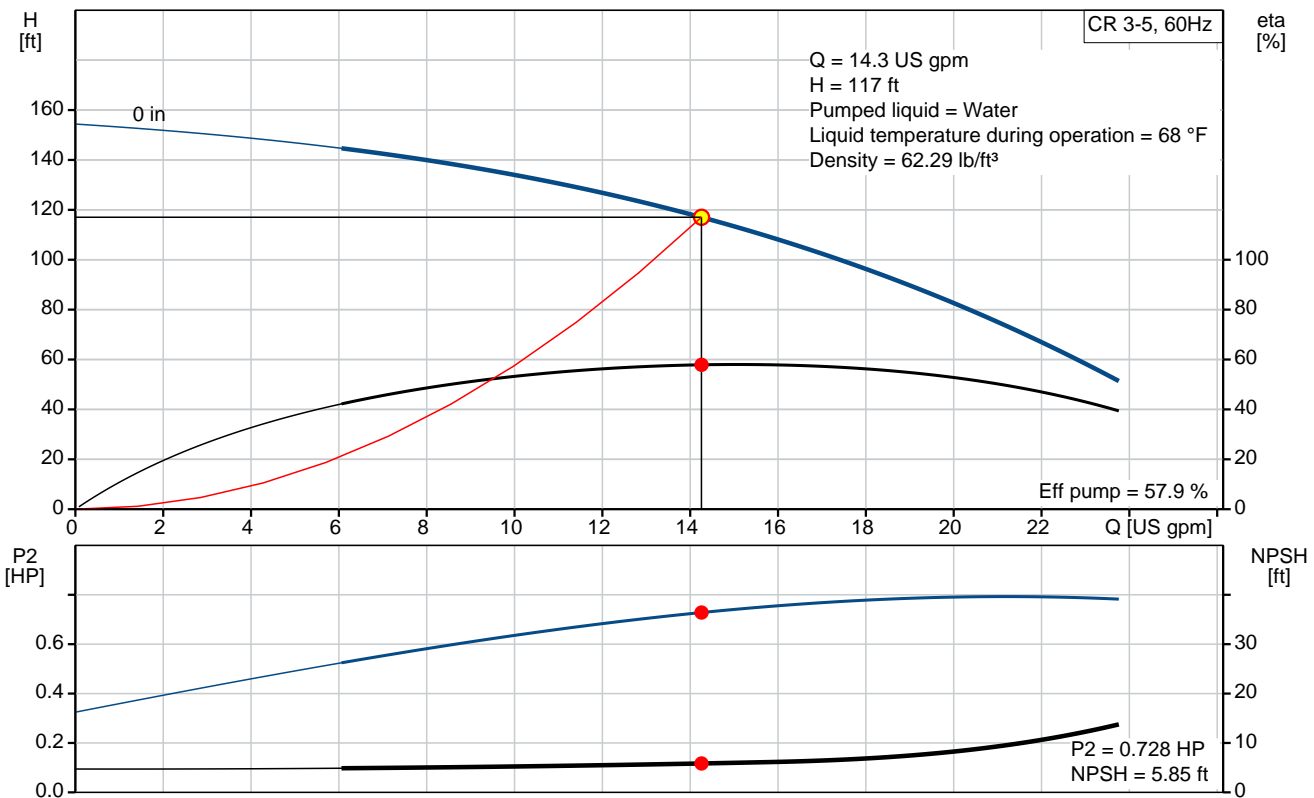
CR 3-5

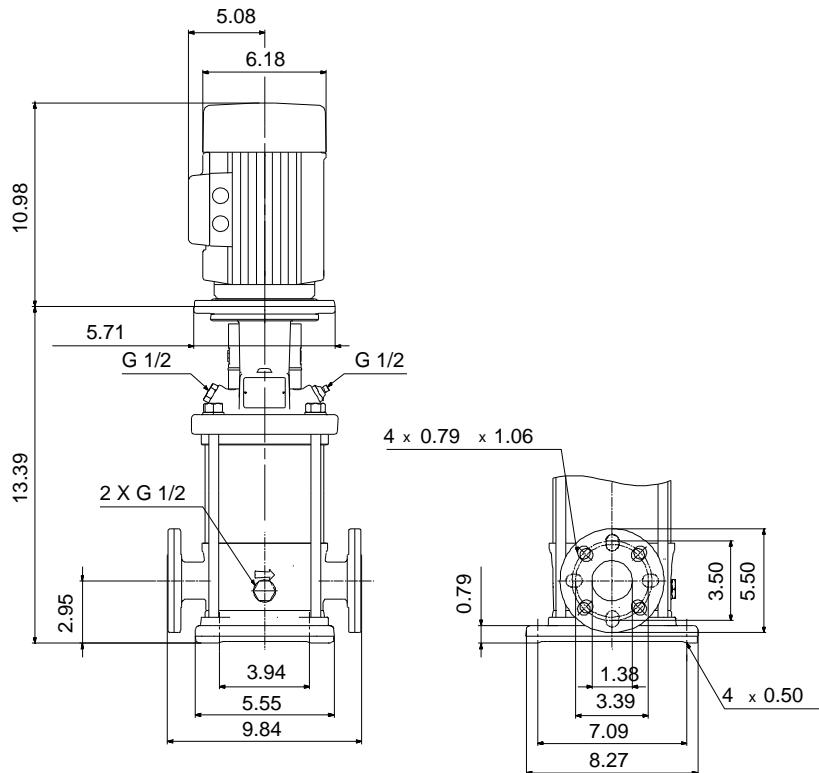
Vertical, multistage centrifugal pump with suction and discharge ports on the same level. The pump head and base are in cast iron. All other wetted parts are in stainless steel (EN 1.4301)(AISI 304)



Product photo could vary from the actual product

Conditions of Service		Pump Data		Motor Data	
Flow:	14.3 US gpm	Max pressure at stated temperature:	363 psi / 250 °F	Rated power - P2:	0.75 HP
Head:	117 ft	Maximum ambient temperature:	104 °F	Rated voltage:	115/208-230 V
Efficiency:	_____	Approvals:	CURUS,NSF61	Main frequency:	60 Hz
Liquid:	Water	Shaft seal:	HQQE	Enclosure class:	54 Dust/Splashing
Temperature:	68 °F	Product number:	96083205	Insulation class:	B
NPSH required:	5.85 ft			Motor protection:	NONE
Viscosity:	_____			Motor type:	BALDOR
Specific Gravity:	1.000				





Materials:

Base: Cast iron
 EN 1561 EN-GJL-200
 ASTM A48-25B

Impeller: Stainless steel
 AISI 304
 EN 1.4301

Material code: A
 Code for rubber: E

Tender Text



Product No.: [96083205](#)

CR 3-5 A-FGJ-A-E-HQQE

Vertical, non-self-priming, multistage, in-line, centrifugal pump for installation in pipe systems and mounting on a foundation.

The pump has the following characteristics:

- Impellers and intermediate chambers are made of
- The shaft seal has assembly length

according to EN 12756.

- Power transmission is via cast iron split coupling.

The motor is a 1-phase AC motor.

Controls:

Frequency converter: NONE

Liquid:

Pumped liquid: Water

Liquid temperature during operation: 68 °F

Density: 62.29 lb/ft³

Technical:

Speed for pump data: 3464 rpm

Actual calculated flow: 14.3 US gpm

Resulting head of the pump: 117 ft

Pump orientation: Vertical

Shaft seal arrangement: Single

Code for shaft seal: HQQE

Approvals on nameplate: CURUS, NSF61

Curve tolerance: ISO9906:2012 3B

Materials:

Base: Cast iron
EN 1561 EN-GJL-200
ASTM A48-25B

Impeller: Stainless steel
EN 1.4301

Bearing material: AISI 304
SIC

Installation:

Maximum ambient temperature: 104 °F

Max pressure at stated temperature: 363 psi / 250 °F
363 psi / -4 °F

Type of connection: DIN / ANSI / JIS

Size of inlet connection: DN 25/32



Company name:

Created by:

Phone:

Date:

2/20/2018


Size of suction port: 1 1/4 inch
Size of outlet connection: DN 25/32
Size of outlet port: 1 1/4 inch
Pressure rating: PN 25
Flange size for motor: 56C
Flange rating inlet: 250 lb

Electrical data:

Motor standard: NEMA
Motor type: BALDOR
IE Efficiency class: NA
Rated power - P2: 0.75 HP
Power (P2) required by pump: 0.75 HP
Main frequency: 60 Hz
Rated voltage: 1 x 115/208-230 V
Service factor: 1.25
Rated current: 9,60/5,00-4,80 A
Rated speed: 3450 rpm
Number of poles: 2
Enclosure class (IEC 34-5): 54 Dust/Splashing
Insulation class (IEC 85): B

Others:

Net weight: 67.5 lb
Gross weight: 78.5 lb
Shipping volume: 4.94 ft³

Position	Count	Description
	1	<p>CR 3-5 A-FGJ-A-E-HQQE</p>  <p>Product No.: 96083205 Vertical, non-self-priming, multistage, in-line, centrifugal pump for installation in pipe systems and mounting on a foundation.</p> <p>The pump has the following characteristics:</p> <ul style="list-style-type: none"> - Impellers and intermediate chambers are made of - The shaft seal has assembly length according to EN 12756. - Power transmission is via cast iron split coupling. <p>The motor is a 1-phase AC motor.</p> <p>Controls: Frequency converter: NONE</p> <p>Liquid: Pumped liquid: Water Liquid temperature during operation: 68 °F Density: 62.29 lb/ft³</p> <p>Technical: Speed for pump data: 3464 rpm Actual calculated flow: 14.3 US gpm Resulting head of the pump: 117 ft Pump orientation: Vertical Shaft seal arrangement: Single Code for shaft seal: HQQE Approvals on nameplate: CURUS,NSF61 Curve tolerance: ISO9906:2012 3B</p> <p>Materials: Base: Cast iron EN 1561 EN-GJL-200 ASTM A48-25B Impeller: Stainless steel EN 1.4301 AISI 304 Bearing material: SIC</p> <p>Installation: Maximum ambient temperature: 104 °F Max pressure at stated temperature: 363 psi / 250 °F 363 psi / -4 °F</p> <p>Type of connection: DIN / ANSI / JIS Size of inlet connection: DN 25/32 Size of suction port: 1 1/4 inch</p>



Company name:

Created by:

Phone:

Date:

2/20/2018

Position	Count	Description
		Size of outlet connection: DN 25/32 Size of outlet port: 1 1/4 inch Pressure rating: PN 25 Flange size for motor: 56C Flange rating inlet: 250 lb
		Electrical data: Motor standard: NEMA Motor type: BALDOR IE Efficiency class: NA Rated power - P2: 0.75 HP Power (P2) required by pump: 0.75 HP Main frequency: 60 Hz Rated voltage: 1 x 115/208-230 V Service factor: 1.25 Rated current: 9,60/5,00-4,80 A Rated speed: 3450 rpm Number of poles: 2 Enclosure class (IEC 34-5): 54 Dust/Splashing Insulation class (IEC 85): B
		Others: Net weight: 67.5 lb Gross weight: 78.5 lb Shipping volume: 4.94 ft ³



Company name:

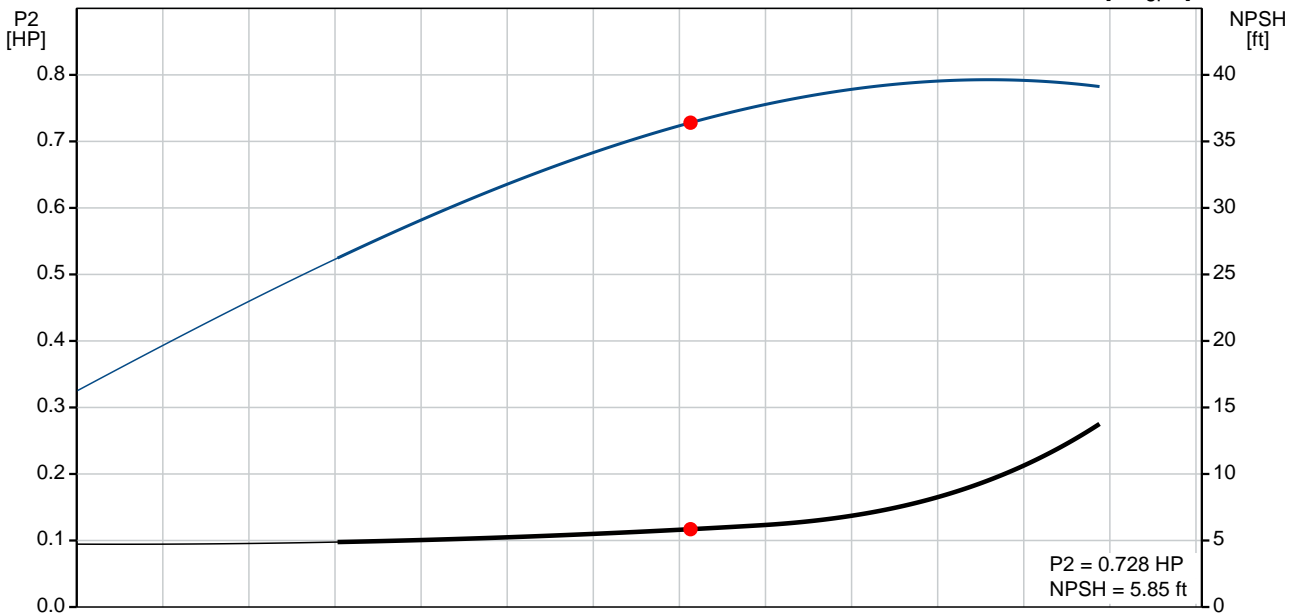
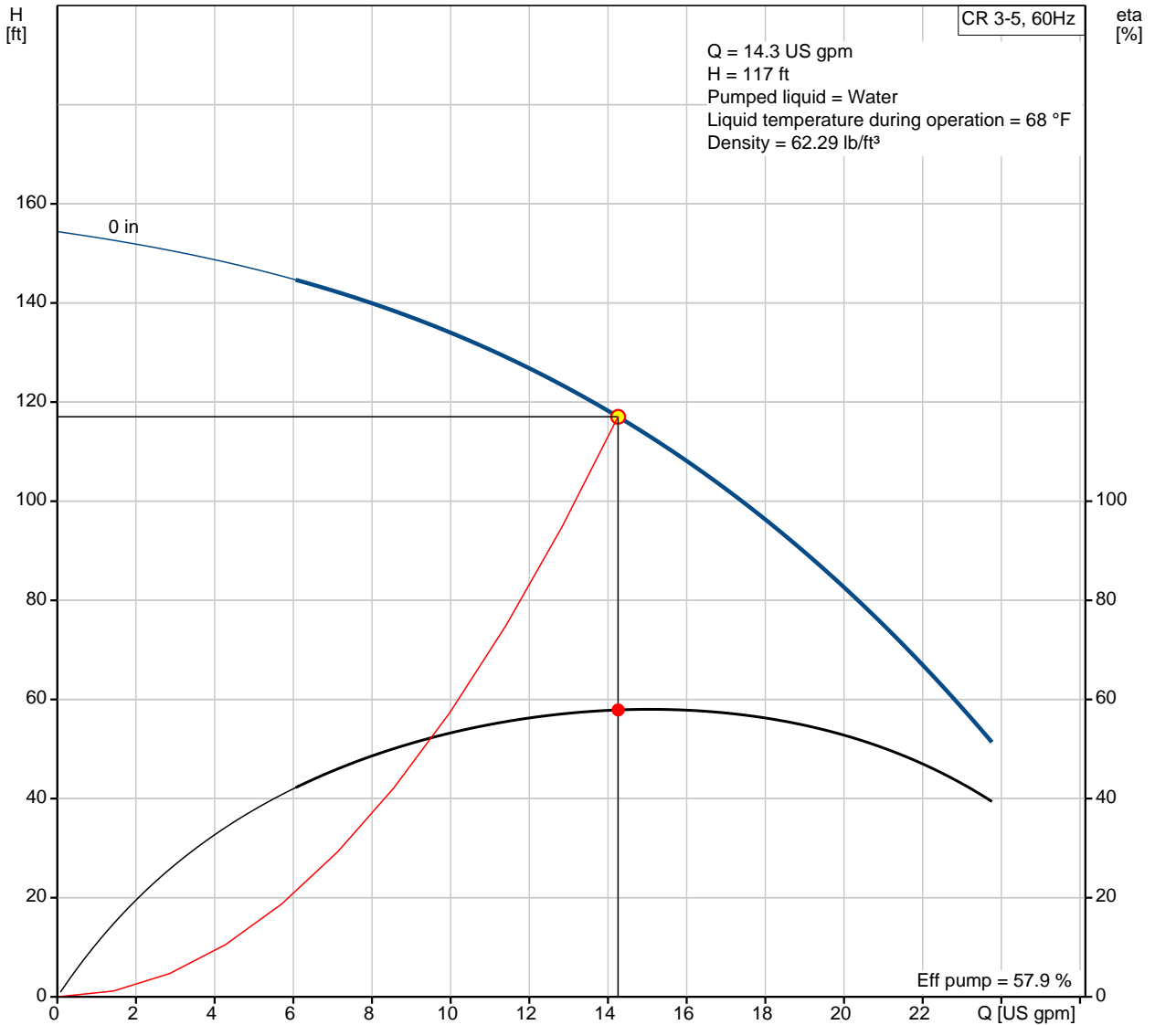
Created by:

Phone:

Date:

2/20/2018

96083205 CR 3-5 60 Hz



Description	Value
General information:	
Product name:	CR 3-5 A-FGJ-A-E-HQQE
Product No.:	96083205
EAN:	5700395183733

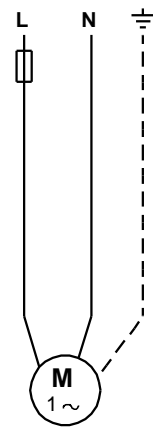
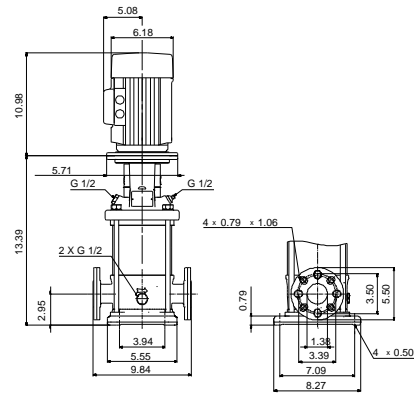
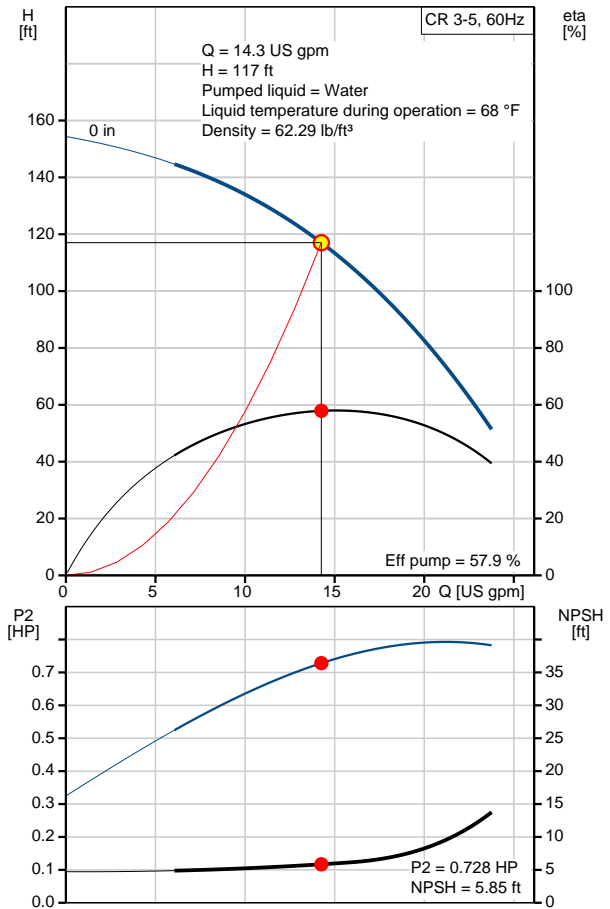
Technical:	
Speed for pump data:	3464 rpm
Actual calculated flow:	14.3 US gpm
Resulting head of the pump:	117 ft
Stages:	5
Impellers:	5
Low NPSH:	N
Pump orientation:	Vertical
Shaft seal arrangement:	Single
Code for shaft seal:	HQQE
Approvals on nameplate:	CURUS,NSF61
Curve tolerance:	ISO9906:2012 3B
Pump version:	A
Model:	A
Cooling:	TEFC

Materials:	
Base:	Cast iron EN 1561 EN-GJL-200 ASTM A48-25B
Impeller:	Stainless steel EN 1.4301 AISI 304
Material code:	A
Code for rubber:	E
Bearing material:	SIC

Installation:	
Maximum ambient temperature:	104 °F
Max pressure at stated temperature:	363 psi / 250 °F 363 psi / -4 °F
Type of connection:	DIN / ANSI / JIS
Connect code:	FGJ
Size of inlet connection:	DN 25/32
Size of suction port:	1 1/4 inch
Size of outlet connection:	DN 25/32
Size of outlet port:	1 1/4 inch
Pressure rating:	PN 25
Flange size for motor:	56C
Flange rating inlet:	250 lb

Liquid:	
Pumped liquid:	Water
Liquid temperature during operation:	68 °F
Density:	62.29 lb/ft ³

Electrical data:	
Motor standard:	NEMA
Motor type:	BALDOR
IE Efficiency class:	NA
Rated power - P2:	0.75 HP
Power (P2) required by pump:	0.75 HP
Main frequency:	60 Hz
Rated voltage:	1 x 115/208-230 V





Company name:

Created by:

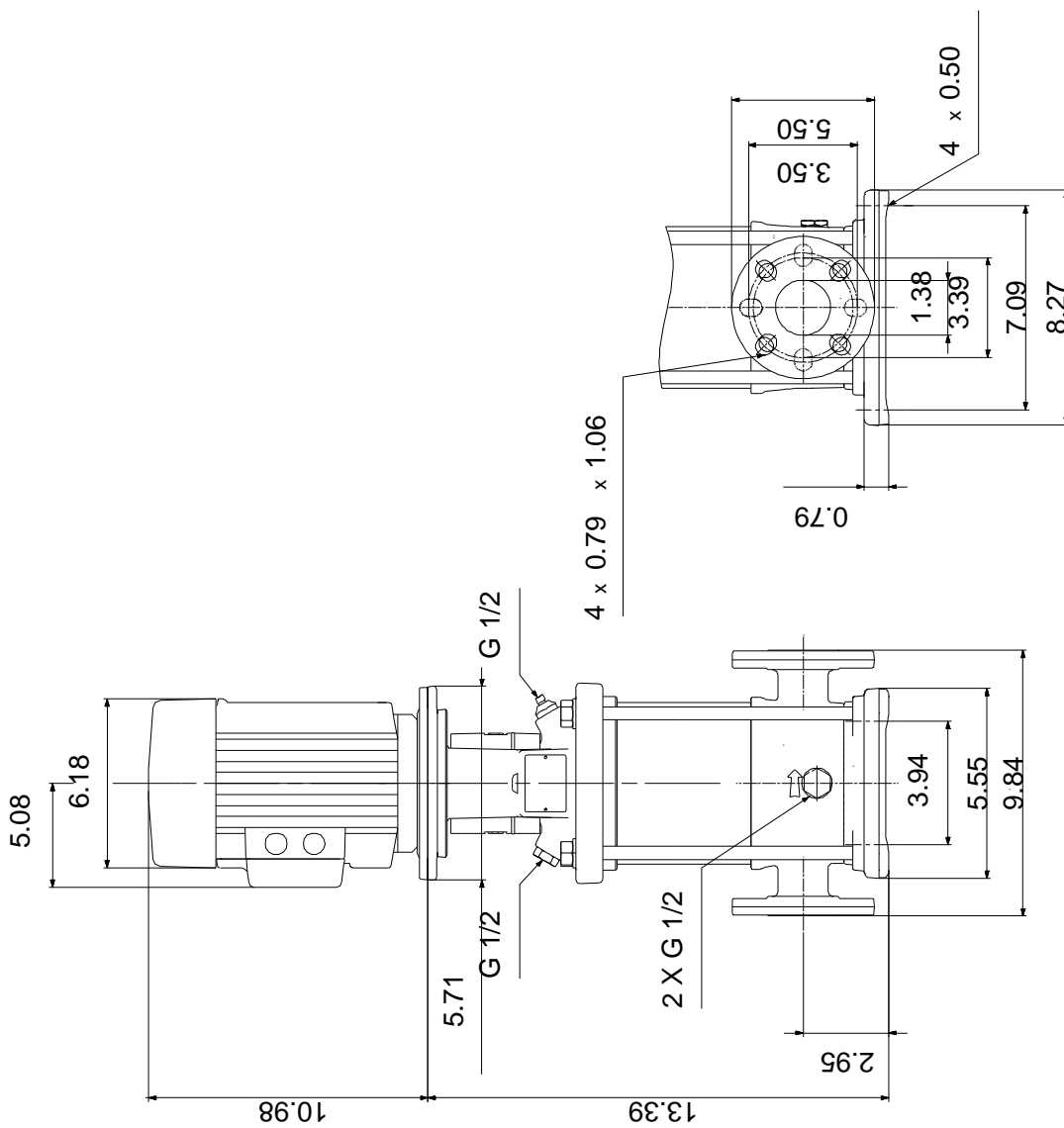
Phone:

Date:

2/20/2018

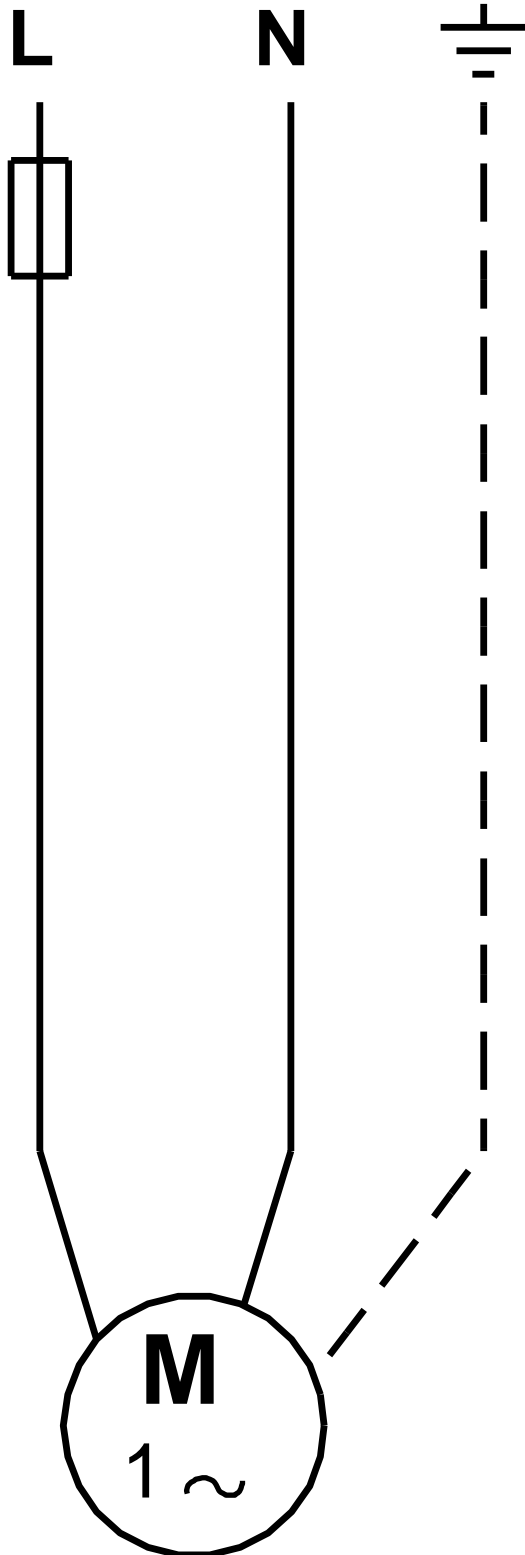
Description	Value
Service factor:	1.25
Rated current:	9,60/5,00-4,80 A
Load current:	11.4/6.0-5.7 A
Rated speed:	3450 rpm
Number of poles:	2
Enclosure class (IEC 34-5):	54 Dust/Splashing
Insulation class (IEC 85):	B
Motor protection:	NONE
Motor Number:	84Z04001
Controls:	
Frequency converter:	NONE
Others:	
Net weight:	67.5 lb
Gross weight:	78.5 lb
Shipping volume:	4.94 ft ³

96083205 CR 3-5 60 Hz



Note! All units are in [mm] unless otherwise stated.
Disclaimer: This simplified dimensional drawing does not show all details.

96083205 CR 3-5 60 Hz



All units are [mm] unless otherwise presented.



Company name:

Created by:

Phone:

Date:

2/20/2018

Order Data:

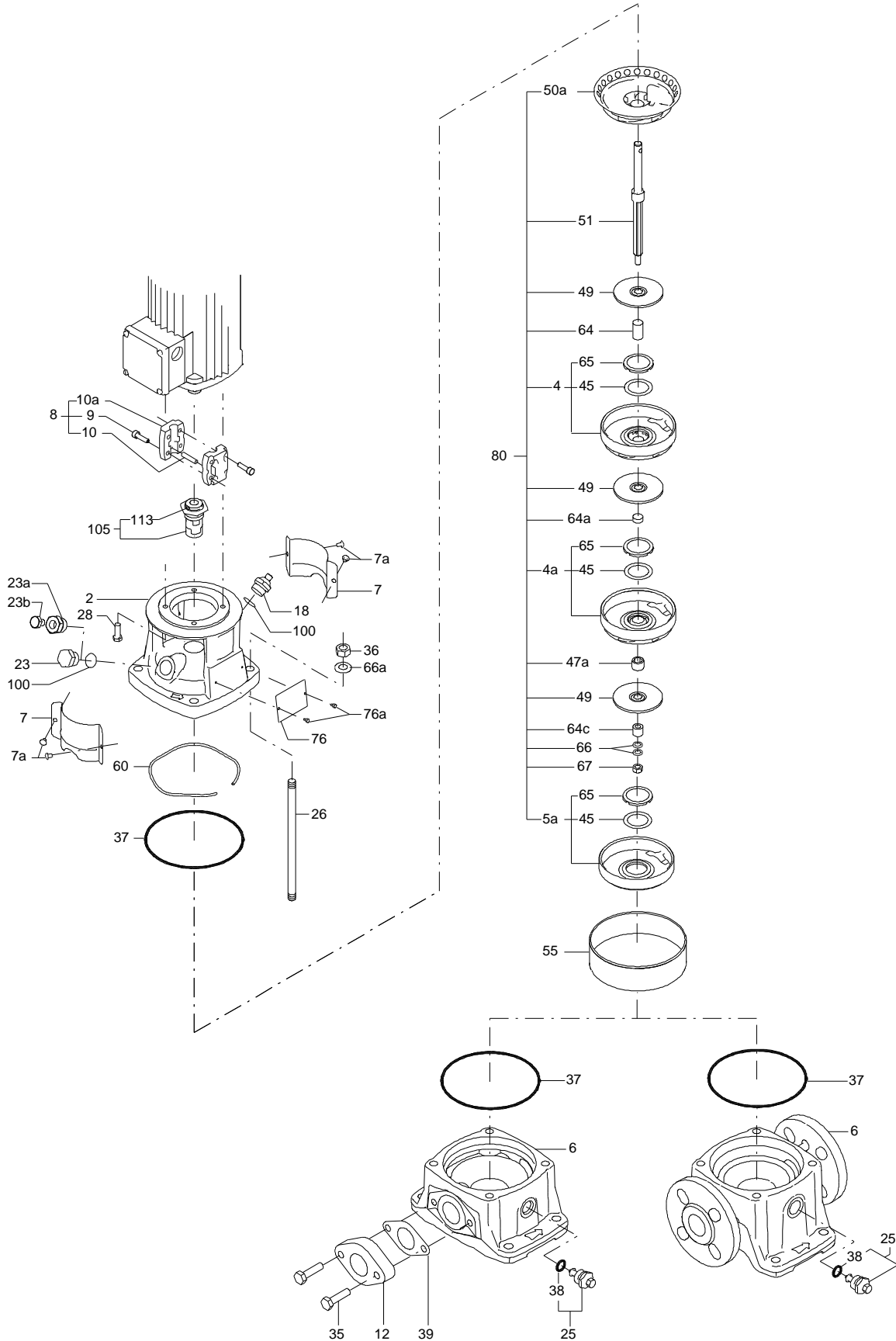
Product name: CR 3-5 A-FGJ-A-E-HQQE

Amount: 1

Product No.: 96083205

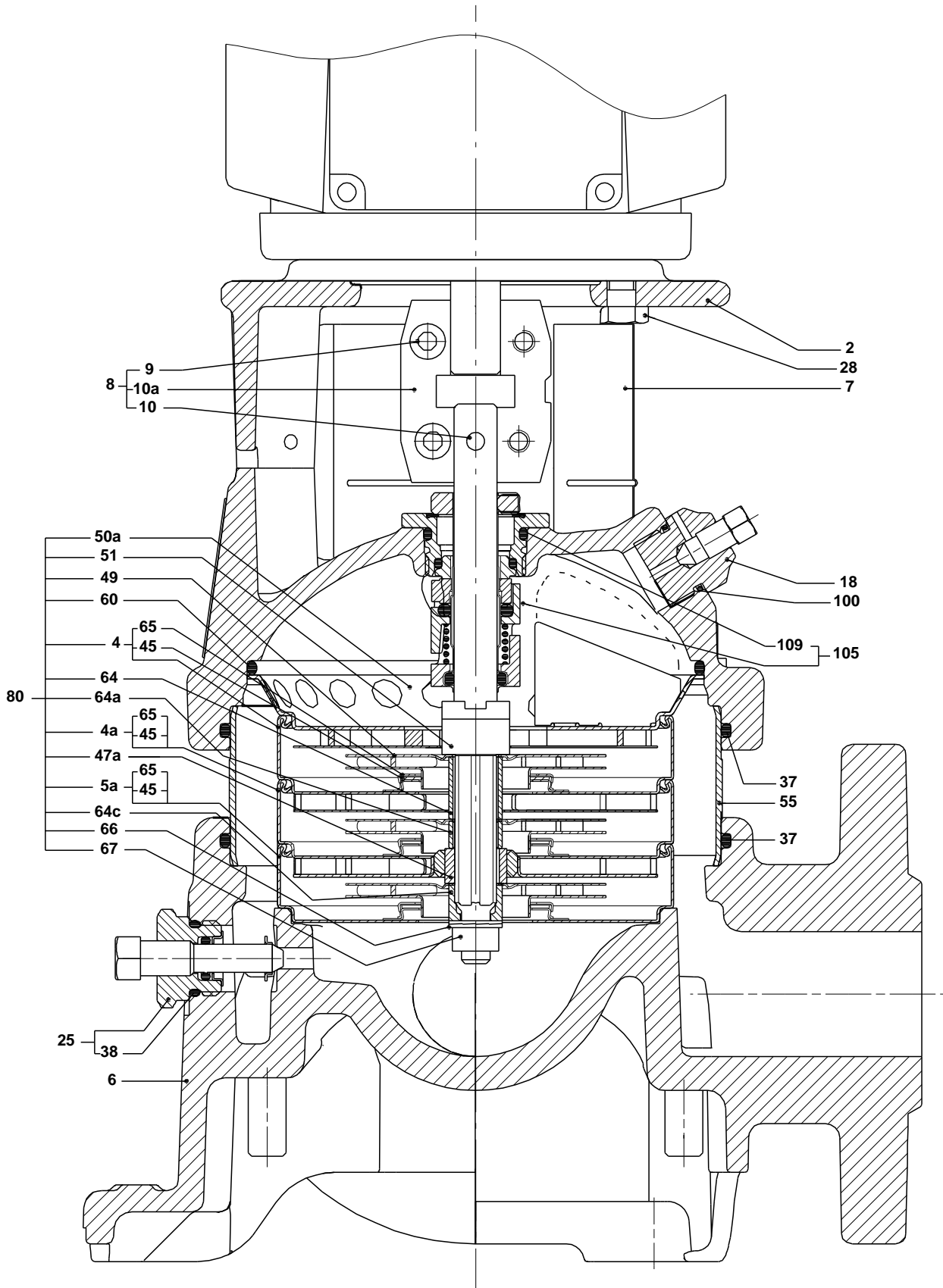
Total: Price on request

Exploded view (tm020210 4100)



TM020210

Sectional drawing (tm020211 4100)



Parts list CR 3-5, Prod number 96083205
Valid from 1.1.2004 (0401)

Position	Description	Annotation	Classification data	Part No.	Count	Unit
	Motor				1	pcs
-	Base cpl.				1	pcs
6	Base				1	
-	Sealing parts				1	pcs
- 25	Drain plug w/bypass valve				1	
38	O-ring		Diameter: 16,3 Material type: EPDM Thickness: 2,4			
37	O-ring				2	
100	O-ring		Diameter: 16,3 Material type: EPDM Thickness: 2,4		2	
- 2	Pump head cpl.				1	pcs
2	Pump head				1	
7	Coupling guard				2	
7a	Thread cutting screw				4	
- 18	Air vent screw				1	
	Plug					
	Spindle					
- 25	Drain plug				1	
23	Pipe plug					
25	Drain plug					
28	Hex head cap screw		Length: 25 Thread: UNC 3/8"		4	
60	Formed wire spring				1	
+ 8	Coupling cpl.				1	pcs
26	Staybolt		Length: 115 Thread: M12		4	pcs
36a	Washer		Designation: DIN 125 A Inner diameter: 13 Outer diameter: 24 Thickness: 2,5		4	pcs
55	Outer sleeve				1	pcs
66a	Nut		Thread: M12		4	pcs
- 80	Chamber stack				1	pcs
-	Guide vane cpl.				1	
	Guide vane					
	Plate					
50b	Top plate					
- 4	Chamber cpl.				3	
	Guide vane					
	Plate					
	Retainer					
	Intermediate chamber					
	Vane					
45	Neck ring					
65	Retainer					
- 4a	Chamber w. bearing cpl.				1	
	Guide vane					
	Retainer for bearing					
	Bearing bush					
	Retainer					
	Intermediate chamber					

Position	Description	Annotation	Classification data	Part No.	Count	Unit
	Vane					
45	Neck ring					
65	Retainer					
- 5a	Chamber cpl.				1	
	Retainer					
	Intermediate chamber					
	Vane					
45	Neck ring					
65	Retainer					
36	Lock nut		Thread: M8		1	
47a	Bearing ring, rotating				1	
49	Impeller cpl.				5	
51	Shaft, spline, cpl.				1	
64a	Spacing pipe				3	
64a	Spacing pipe		Inner diameter: 12,85		1	
			Outer diameter: 15,85			
			Length: 4,50			
64c	Clamp, splined		Inner diameter: 8,5		1	
			Outer diameter: 15			
66	Wedge lock washer				1	
- 105	Shaft seal		Material type: HQQE		1	pcs
	O-ring				1	
	O-ring				1	
	Seal driver, upper				1	
	Seal driver, lower				1	
	Spacer ring				1	
	Pipe				1	
	Plug				1	
	Plug				1	
	Compression spring				1	
	Socket set screw				1	
102	O-ring		Diameter: 22,00		1	
			Material type: EPDM			
			Thickness: 2,75			
103	Seal ring, stationary				1	
105	Seal ring, rotating				1	
107	O-ring				1	
113	Driver				1	