

PROJECT: _____	UNIT TAG: _____	QUANTITY: _____
REPRESENTATIVE: _____	TYPE OF SERVICE: _____	DATE: _____
ENGINEER: _____	SUBMITTED BY: _____	DATE: _____
CONTRACTOR: _____	APPROVED BY: _____	DATE: _____
	ORDER NO.: _____	DATE: _____

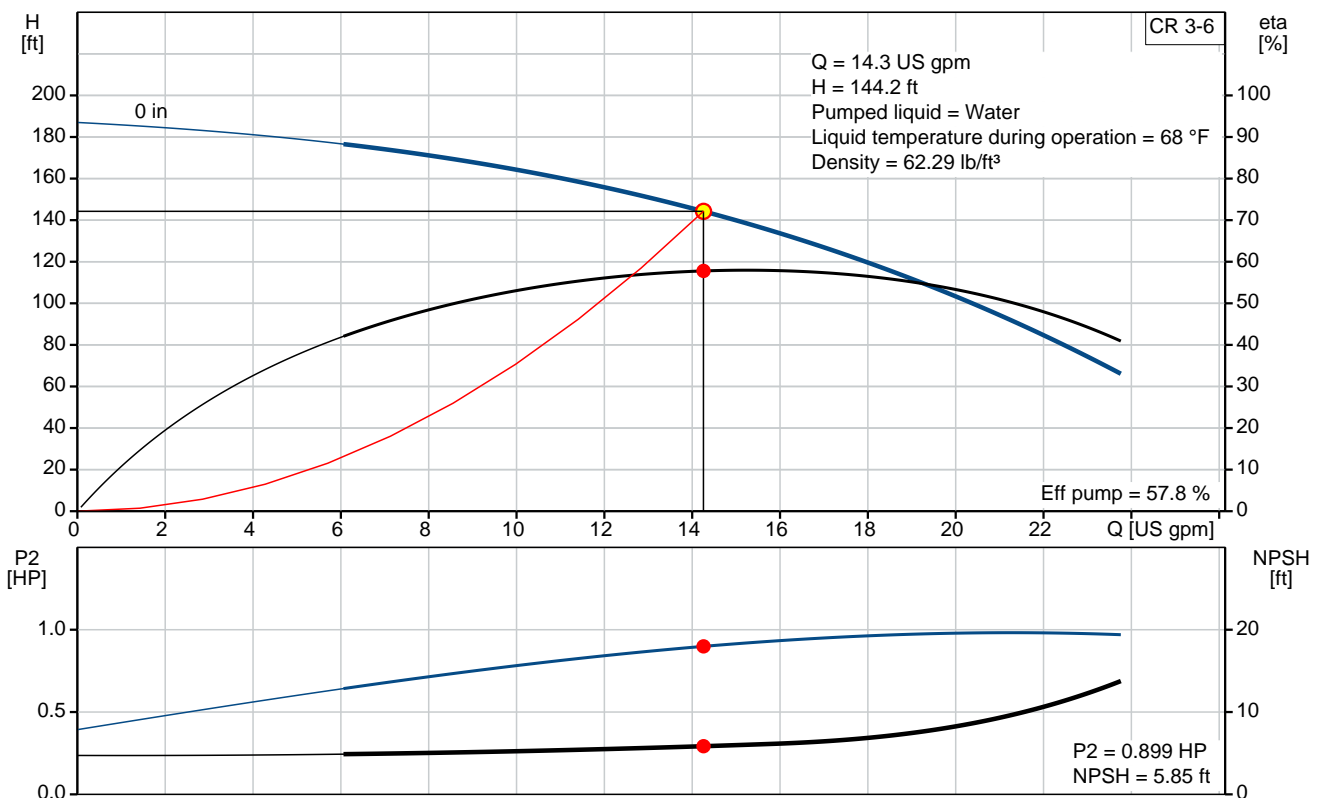
**CR 3-6**

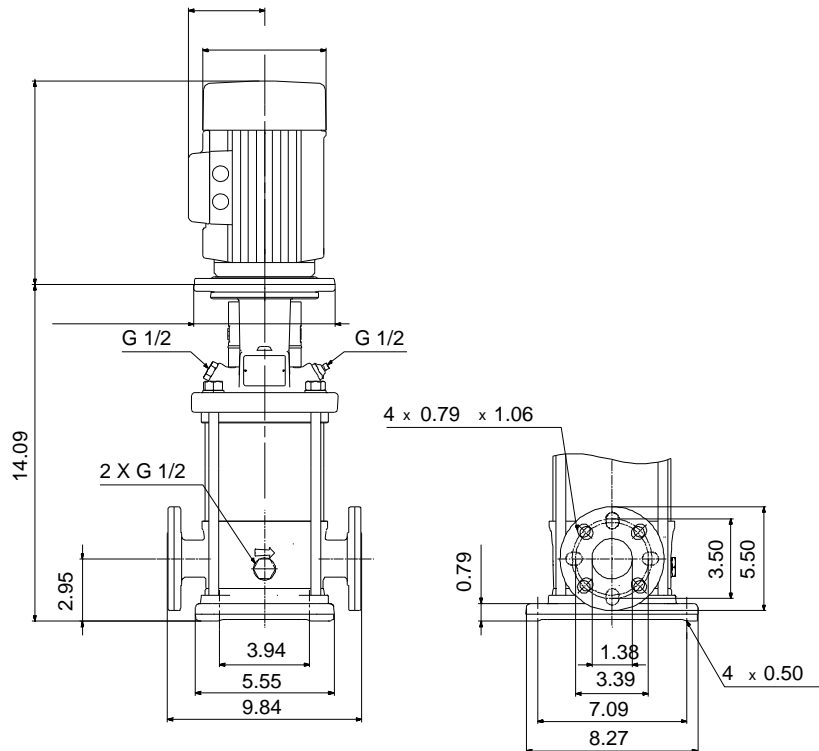


Vertical, multistage centrifugal pump with suction and discharge ports on the same level. The pump head and base are in cast iron. All other wetted parts are in stainless steel (EN 1.4301)(AISI 304)

Product photo could vary from the actual product

Conditions of Service		Pump Data		Motor Data	
Flow:	14.3 US gpm	Max pressure at stated temperature:	363 psi / 250 °F	Main frequency:	60 Hz
Head:	144.2 ft	Approvals:	NSF61		
Efficiency:	_____	Shaft seal:	HQQE		
Liquid:	Water	Product number:	96083185		
Temperature:	68 °F				
NPSH required:	1.78 m				
Viscosity:	_____				
Specific Gravity:	1.000				





**Materials:**

Base:	Cast iron EN 1561 EN-GJL-200 ASTM A48-25B
Impeller:	Stainless steel AISI 304 EN 1.4301
Material code:	A
Code for rubber:	E

## Tender Text



Product photo could vary from the actual product

Product No.: [96083185](#)

### CR 3-6 A-FGJ-A-E-HQQE

Vertical, non-self-priming, multistage, in-line, centrifugal pump for installation in pipe systems and mounting on a foundation.

The pump has the following characteristics:

- Impellers and intermediate chambers are made of
- The shaft seal has assembly length according to EN 12756.
- Power transmission is via cast iron split coupling.

Controls:

Frequency converter: NONE

### Liquid:

Pumped liquid: Water  
Liquid temperature during operation: 68 °F  
Density: 62.29 lb/ft<sup>3</sup>

### Technical:

Speed for pump data: 3484 rpm  
Actual calculated flow: 14.3 US gpm  
Resulting head of the pump: 144.2 ft  
Pump orientation: Vertical  
Shaft seal arrangement: Single  
Code for shaft seal: HQQE  
Approvals on nameplate: NSF61  
Curve tolerance: ISO9906:2012 3B

### Materials:

Base: Cast iron  
EN 1561 EN-GJL-200  
ASTM A48-25B  
Impeller: Stainless steel  
EN 1.4301  
AISI 304  
Bearing material: SIC

### Installation:

Max pressure at stated temperature: 363 psi / 250 °F



Company name:

Created by:

Phone:

Date:

2/20/2018


Type of connection: 363 psi / -4 °F  
DIN / ANSI / JIS  
Size of inlet connection: DN 25/32  
Size of suction port: 1 1/4 inch  
Size of outlet connection: DN 25/32  
Size of outlet port: 1 1/4 inch  
Pressure rating: PN 25  
Flange size for motor: 56C  
Flange rating inlet: 250 lb

**Electrical data:**

Motor standard: NEMA  
Power (P2) required by pump: 1 HP

**Others:**

Net weight: 42.8 lb  
Gross weight: 53.8 lb  
Shipping volume: 4.94 ft<sup>3</sup>

Position	Count	Description
	1	<p><b>CR 3-6 A-FGJ-A-E-HQQE</b></p>  <p style="text-align: right;">Product photo could vary from the actual product</p> <p>Product No.: <a href="#">96083185</a>            Vertical, non-self-priming, multistage, in-line, centrifugal pump for installation in pipe systems and mounting on a foundation.</p> <p>The pump has the following characteristics:</p> <ul style="list-style-type: none"> <li>- Impellers and intermediate chambers are made of</li> <li>- The shaft seal has assembly length according to EN 12756.</li> <li>- Power transmission is via cast iron split coupling.</li> </ul> <p>Controls:            Frequency converter: NONE</p> <p><b>Liquid:</b>            Pumped liquid: Water            Liquid temperature during operation: 68 °F            Density: 62.29 lb/ft<sup>3</sup></p> <p><b>Technical:</b>            Speed for pump data: 3484 rpm            Actual calculated flow: 14.3 US gpm            Resulting head of the pump: 144.2 ft            Pump orientation: Vertical            Shaft seal arrangement: Single            Code for shaft seal: HQQE            Approvals on nameplate: NSF61            Curve tolerance: ISO9906:2012 3B</p> <p><b>Materials:</b>            Base: Cast iron                      EN 1561 EN-GJL-200                      ASTM A48-25B            Impeller: Stainless steel                      EN 1.4301                      AISI 304            Bearing material: SIC</p> <p><b>Installation:</b>            Max pressure at stated temperature: 363 psi / 250 °F              363 psi / -4 °F            Type of connection: DIN / ANSI / JIS</p>



Company name:

Created by:

Phone:

Date:

2/20/2018

Position	Count	Description
		Size of inlet connection: DN 25/32 Size of suction port: 1 1/4 inch Size of outlet connection: DN 25/32 Size of outlet port: 1 1/4 inch Pressure rating: PN 25 Flange size for motor: 56C Flange rating inlet: 250 lb  <b>Electrical data:</b> Motor standard: NEMA Power (P2) required by pump: 1 HP  <b>Others:</b> Net weight: 42.8 lb Gross weight: 53.8 lb Shipping volume: 4.94 ft <sup>3</sup>



Company name:

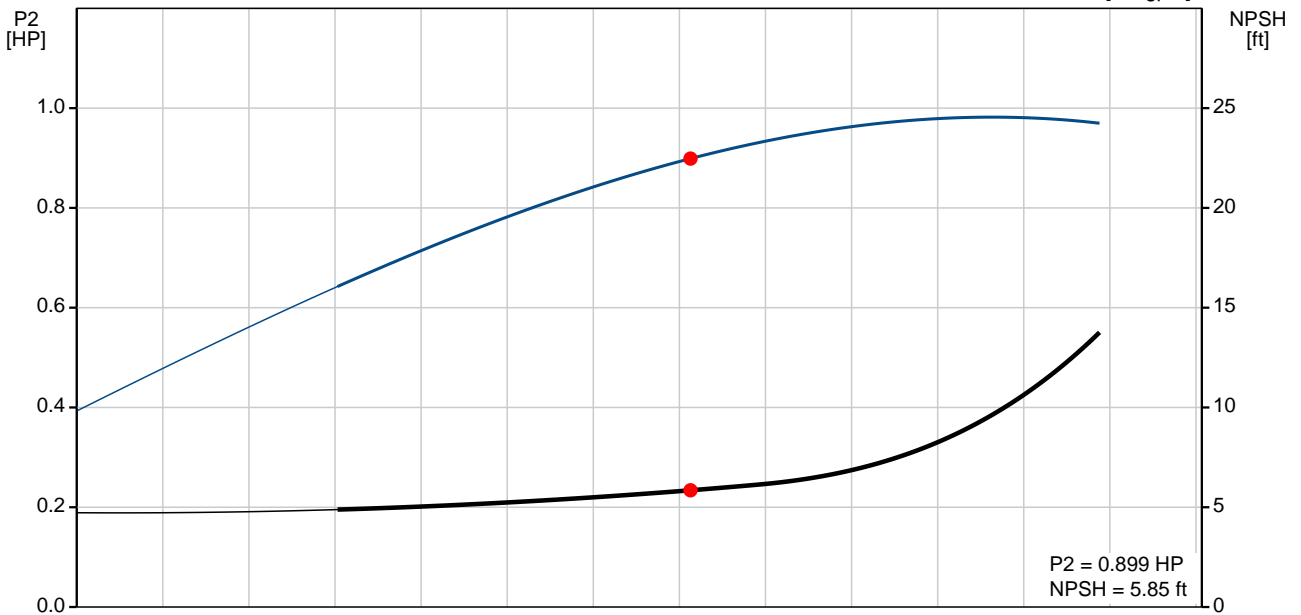
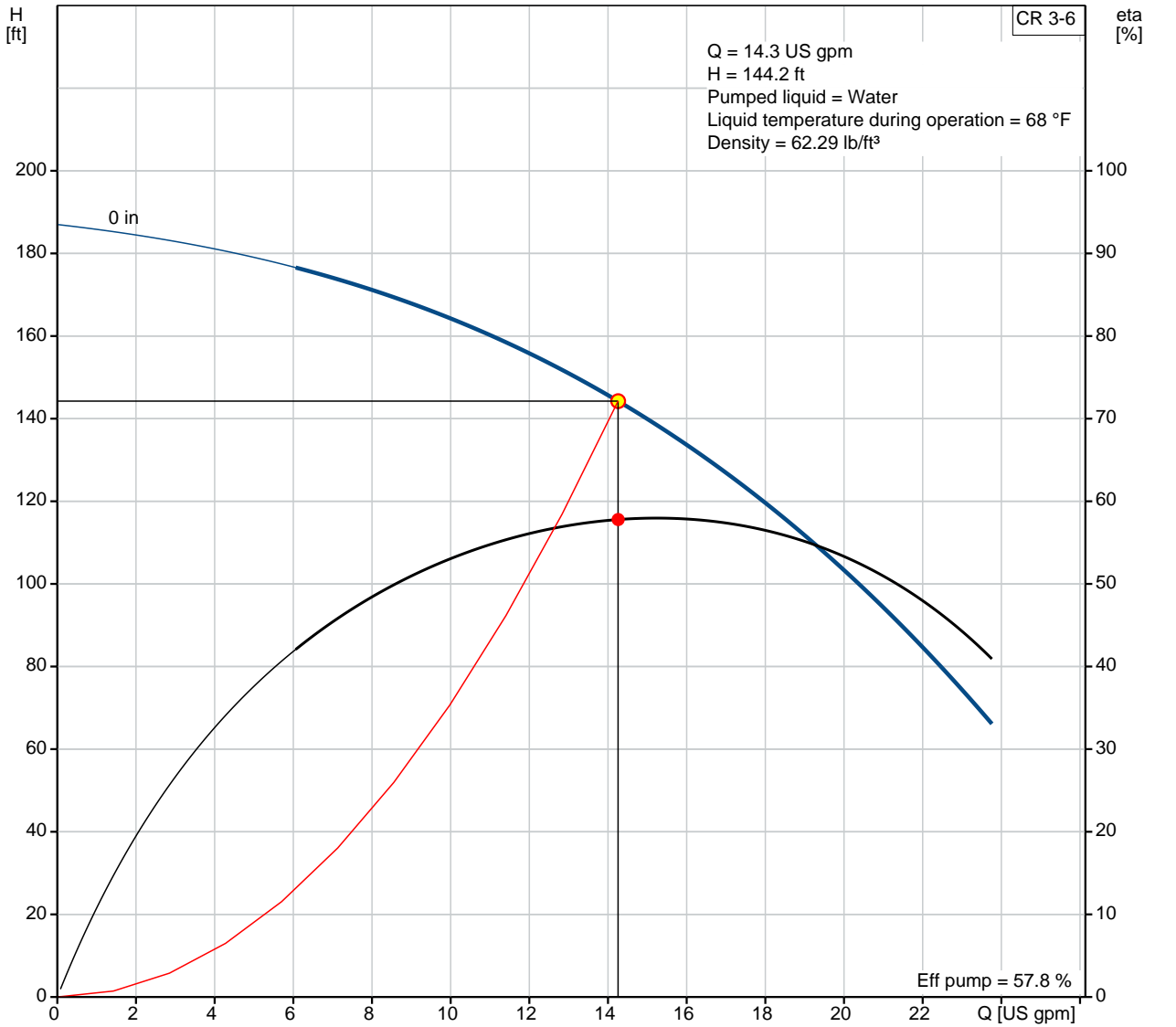
Created by:

Phone:

Date:

2/20/2018

### 96083185 CR 3-6 60 Hz



Description	Value
<b>General information:</b>	
Product name:	CR 3-6 A-FGJ-A-E-HQQE
Product No.:	96083185
EAN:	5700395183535
<b>Technical:</b>	
Speed for pump data:	3484 rpm
Actual calculated flow:	14.3 US gpm
Resulting head of the pump:	144.2 ft
Stages:	6
Impellers:	6
Low NPSH:	N
Pump orientation:	Vertical
Shaft seal arrangement:	Single
Code for shaft seal:	HQQE
Approvals on nameplate:	NSF61
Curve tolerance:	ISO9906:2012 3B
Pump version:	A
Model:	A

<b>Materials:</b>	
Base:	Cast iron EN 1561 EN-GJL-200 ASTM A48-25B
Impeller:	Stainless steel EN 1.4301 AISI 304
Material code:	A
Code for rubber:	E
Bearing material:	SIC

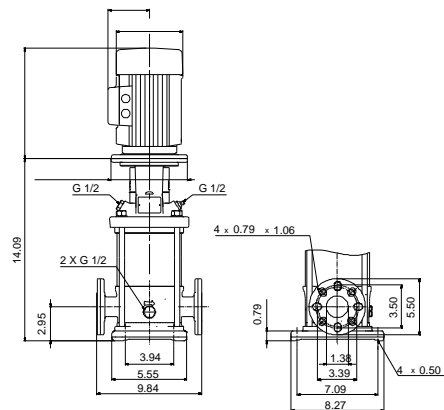
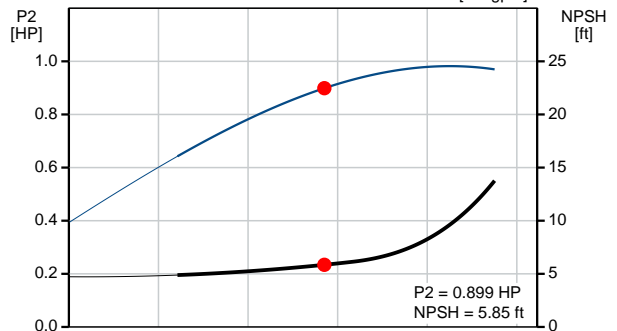
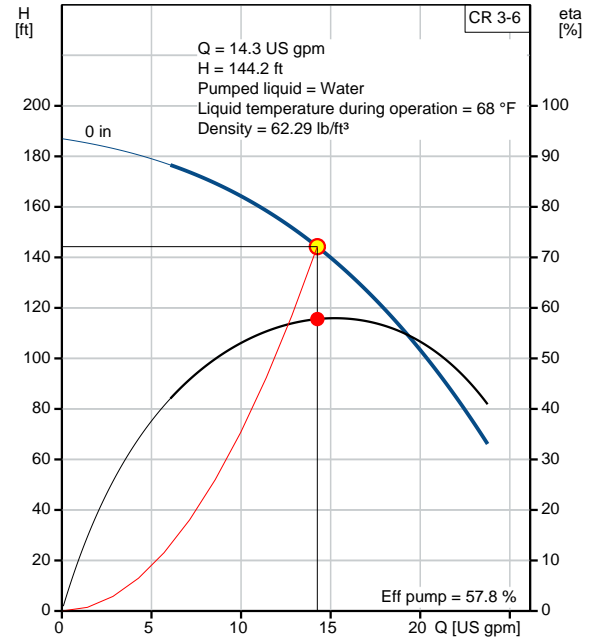
<b>Installation:</b>	
Max pressure at stated temperature:	363 psi / 250 °F 363 psi / -4 °F
Type of connection:	DIN / ANSI / JIS
Connect code:	FGJ
Size of inlet connection:	DN 25/32
Size of suction port:	1 1/4 inch
Size of outlet connection:	DN 25/32
Size of outlet port:	1 1/4 inch
Pressure rating:	PN 25
Flange size for motor:	56C
Flange rating inlet:	250 lb

<b>Liquid:</b>	
Pumped liquid:	Water
Liquid temperature during operation:	68 °F
Density:	62.29 lb/ft <sup>3</sup>

<b>Electrical data:</b>	
Motor standard:	NEMA
Power (P2) required by pump:	1 HP

<b>Controls:</b>	
Frequency converter:	NONE

<b>Others:</b>	
Net weight:	42.8 lb
Gross weight:	53.8 lb







Company name:

Created by:

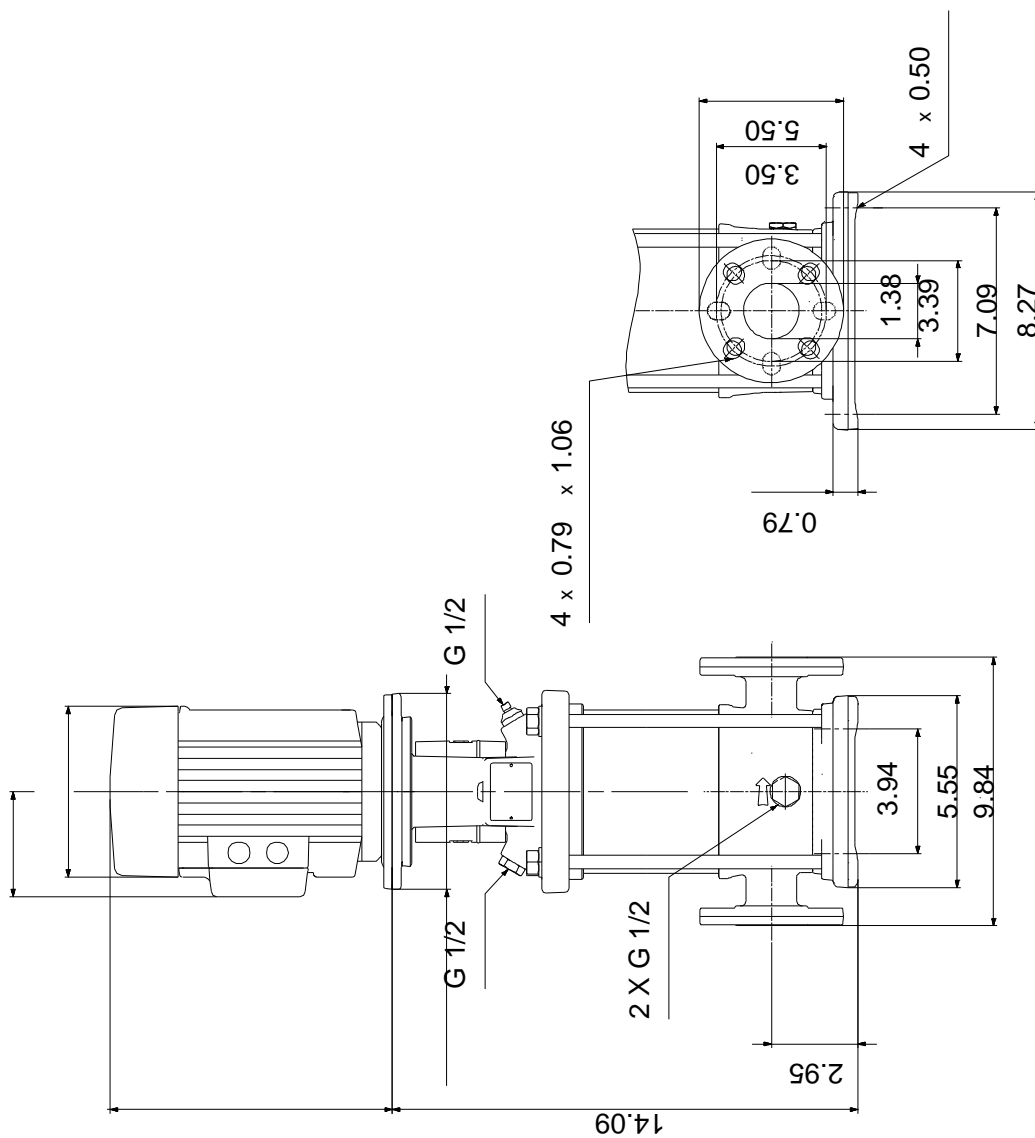
Phone:

Date:

2/20/2018

Description	Value
Shipping volume:	4.94 ft <sup>3</sup>

## 96083185 CR 3-6 60 Hz



Note! All units are in [mm] unless otherwise stated.  
 Disclaimer: This simplified dimensional drawing does not show all details.



Company name:

Created by:

Phone:

Date: 2/20/2018

---

**Order Data:**

Product name: CR 3-6 A-FGJ-A-E-HQQE

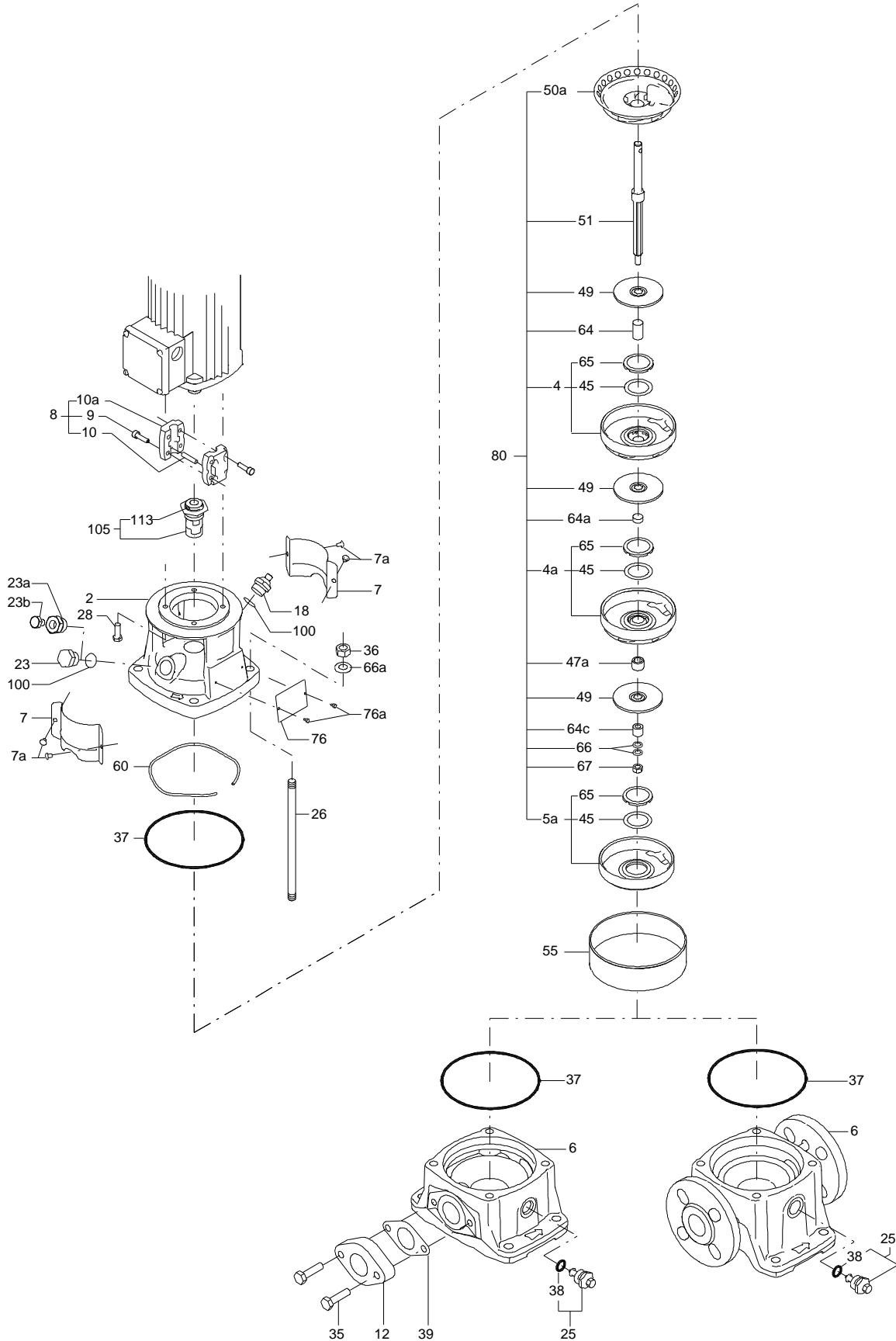
Amount: 1

Product No.: 96083185

Total: Price on request

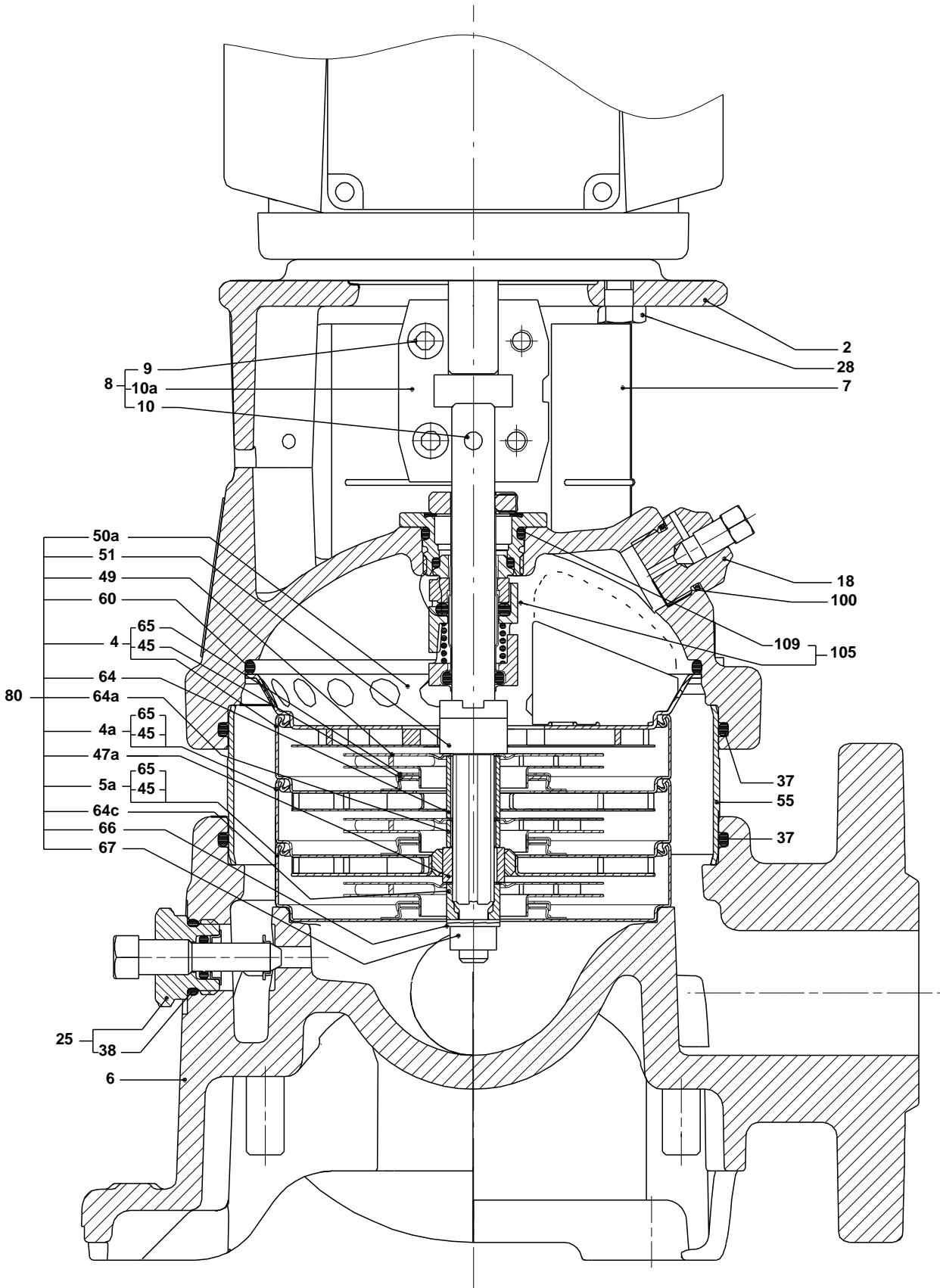
---

Exploded view (tm020210 4100)



TM020210

Sectional drawing (tm020211 4100)



TM020211

**Parts list CR 3-6, Prod number 96083185**  
**Valid from 1.1.2004 (0401)**

Position	Description	Annotation	Classification data	Part No.	Count	Unit
-	Base cpl.				1	pcs
6	Base				1	
-	Sealing parts				1	pcs
- 25	Drain plug w/bypass valve				1	
38	O-ring		Diameter: 16,3			
			Material type: EPDM			
			Thickness: 2,4			
37	O-ring				2	
100	O-ring		Diameter: 16,3		2	
			Material type: EPDM			
			Thickness: 2,4			
- 2	Pump head cpl.				1	pcs
2	Pump head				1	
7	Coupling guard				2	
7a	Thread cutting screw				4	
- 18	Air vent screw				1	
	Plug					
	Spindle					
- 25	Drain plug				1	
23	Pipe plug					
25	Drain plug					
28	Hex head cap screw		Length: 25		4	
			Thread: UNC 3/8"			
60	Formed wire spring				1	
+ 8	Coupling cpl.				1	pcs
26	Staybolt		Length: 133		4	pcs
			Thread: M12			
36a	Washer		Designation: DIN 125 A		4	pcs
			Inner diameter: 13			
			Outer diameter: 24			
			Thickness: 2,5			
55	Outer sleeve				1	pcs
66a	Nut		Thread: M12		4	pcs
+ 80	Chamber stack				1	pcs
- 105	Shaft seal		Material type: HQQE		1	pcs
	O-ring				1	
	O-ring				1	
	Seal driver, upper				1	
	Seal driver, lower				1	
	Spacer ring				1	
	Pipe				1	
	Plug				1	
	Plug				1	
	Compression spring				1	
	Socket set screw				1	
102	O-ring		Diameter: 22,00		1	
			Material type: EPDM			
			Thickness: 2,75			
103	Seal ring, stationary				1	
105	Seal ring, rotating				1	
107	O-ring				1	
113	Driver				1	