

PROJECT: _____	UNIT TAG: _____	QUANTITY: _____
REPRESENTATIVE: _____	TYPE OF SERVICE: _____	DATE: _____
ENGINEER: _____	SUBMITTED BY: _____	DATE: _____
CONTRACTOR: _____	APPROVED BY: _____	DATE: _____
	ORDER NO.: _____	DATE: _____

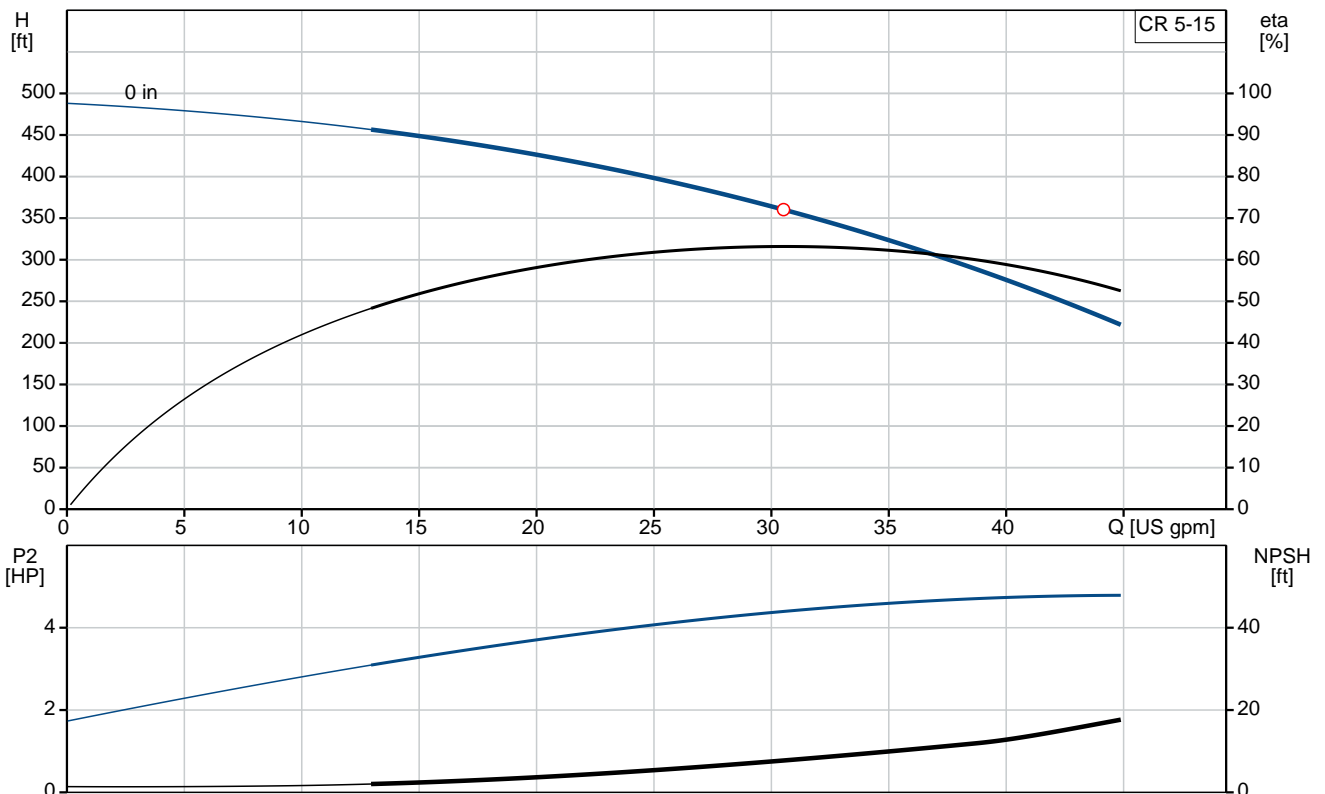


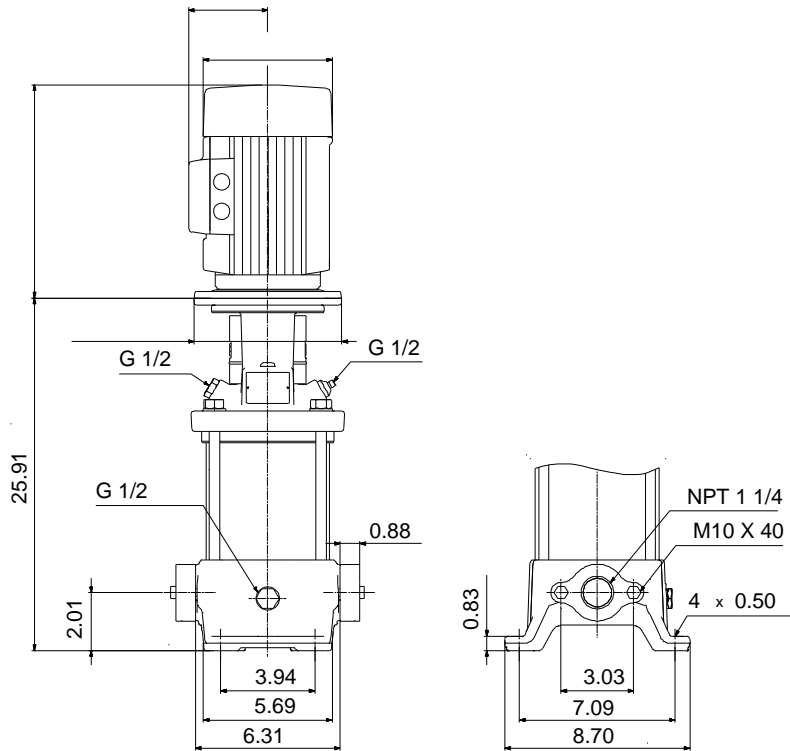
### CR 5-15

Vertical, multistage centrifugal pump with suction and discharge ports on the same level. The pump head and base are in cast iron. All other wetted parts are in stainless steel (EN 1.4301)(AISI 304)

Product photo could vary from the actual product

Conditions of Service	Pump Data	Motor Data
Flow: _____	Max pressure at stated temperature: 232 psi / 194 °F	Main frequency: 60 Hz
Head: _____	Shaft seal: HQQV	
Efficiency: _____	Product number: 96084169	
Liquid: Water		
Temperature: 68 °F		
NPSH required: ft		
Viscosity: _____		
Specific Gravity: 1.000		





**Materials:**

Base:	Cast iron EN 1561 EN-GJL-200 ASTM A48-25B
Impeller:	Stainless steel AISI 304 EN 1.4301
Material code:	A
Code for rubber:	V

## Tender Text



Product photo could vary from the actual product

Product No.: [96084169](#)

### CR 5-15 A-B-A-V-HQQV

Vertical, non-self-priming, multistage, in-line, centrifugal pump for installation in pipe systems and mounting on a foundation.

The pump has the following characteristics:

- Impellers and intermediate chambers are made of
- The shaft seal has assembly length according to EN 12756.
- Power transmission is via cast iron split coupling.

#### Controls:

Frequency converter: NONE

#### Liquid:

Pumped liquid: Water  
Liquid temperature during operation: 68 °F  
Density: 62.29 lb/ft<sup>3</sup>

#### Technical:

Speed for pump data: 3461 rpm  
Pump orientation: Vertical  
Shaft seal arrangement: Single  
Code for shaft seal: HQQV  
Curve tolerance: ISO9906:2012 3B

#### Materials:

Base: Cast iron  
EN 1561 EN-GJL-200  
ASTM A48-25B  
Impeller: Stainless steel  
EN 1.4301  
AISI 304  
Bearing material: SIC

#### Installation:

Max pressure at stated temperature: 232 psi / 194 °F  
232 psi / -4 °F  
Type of connection: Oval / NPT(F)  
Size of suction port: 1 1/4 inch



Company name:

Created by:

Phone:

Date: 2/20/2018

Size of outlet port: 1 1/4 inch  
Pressure rating: PN 16  
Flange size for motor: 182TC

**Electrical data:**

Motor standard: NEMA  
Power (P2) required by pump: 5 HP

**Others:**

Net weight: 51.7 lb  
Gross weight: 69.6 lb  
Shipping volume: 6.11 ft<sup>3</sup>





Company name:

Created by:

Phone:

Date:

2/20/2018

Position	Count	Description
		Flange size for motor: 182TC
		<b>Electrical data:</b>
		Motor standard: NEMA
		Power (P2) required by pump: 5 HP
		<b>Others:</b>
		Net weight: 51.7 lb
		Gross weight: 69.6 lb
		Shipping volume: 6.11 ft <sup>3</sup>



Company name:

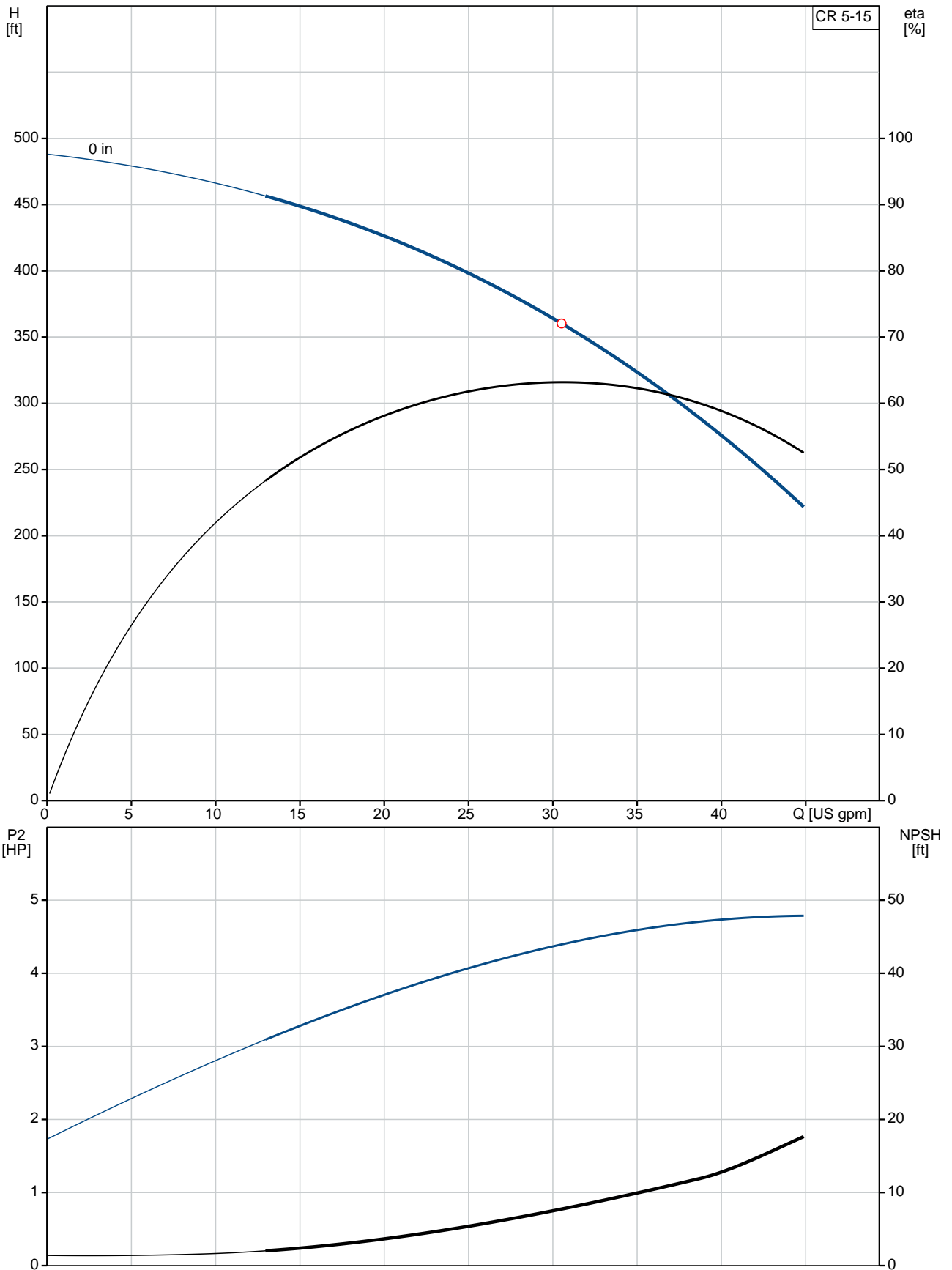
Created by:

Phone:

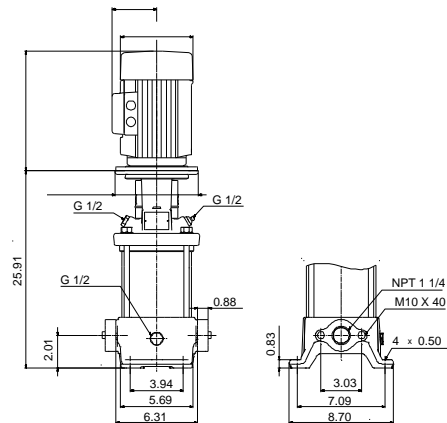
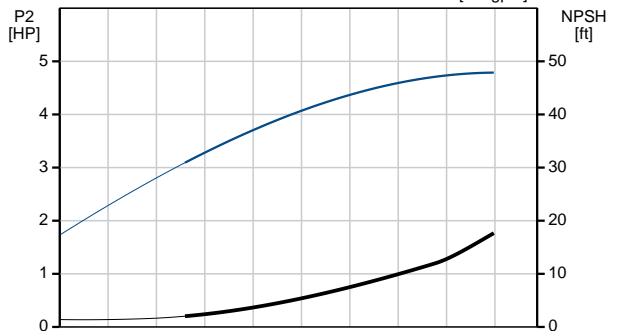
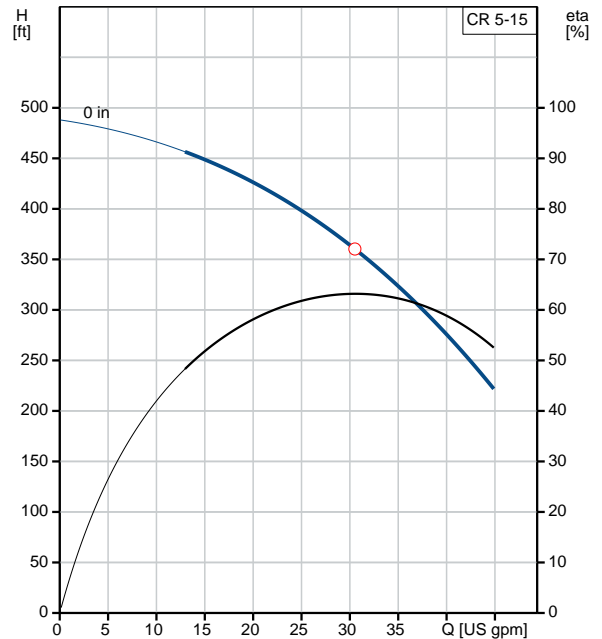
Date:

2/20/2018

### 96084169 CR 5-15 60 Hz

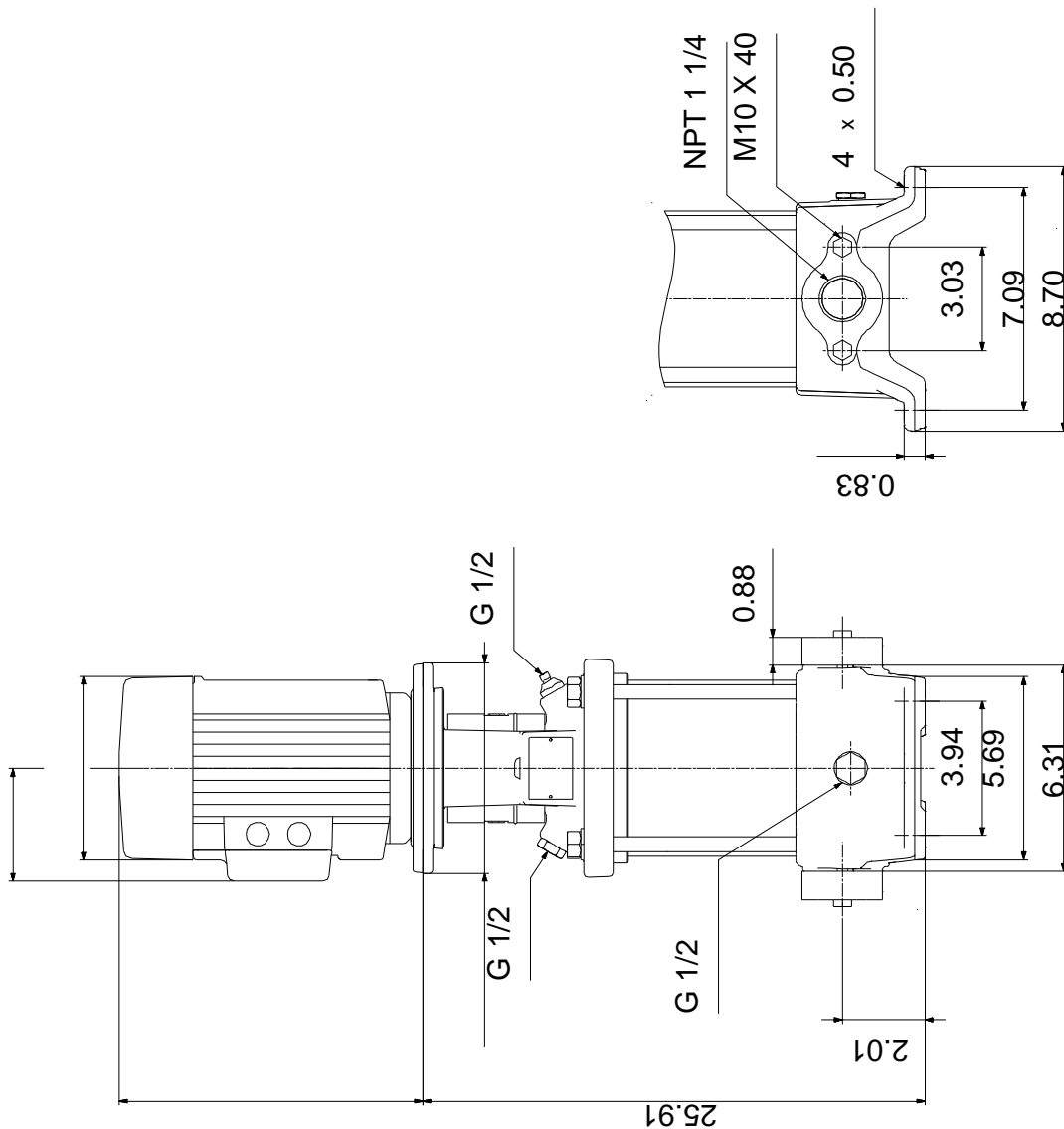


Description	Value
<b>General information:</b>	
Product name:	CR 5-15 A-B-A-V-HQQV
Product No.:	96084169
EAN:	5700395190076
<b>Technical:</b>	
Speed for pump data:	3461 rpm
Stages:	15
Impellers:	15
Low NPSH:	N
Pump orientation:	Vertical
Shaft seal arrangement:	Single
Code for shaft seal:	HQQV
Curve tolerance:	ISO9906:2012 3B
Pump version:	A
Model:	A
<b>Materials:</b>	
Base:	Cast iron EN 1561 EN-GJL-200
	ASTM A48-25B
Impeller:	Stainless steel EN 1.4301 AISI 304
Material code:	A
Code for rubber:	V
Bearing material:	SIC
<b>Installation:</b>	
Max pressure at stated temperature:	232 psi / 194 °F 232 psi / -4 °F
Type of connection:	Oval / NPT(F)
Connect code:	B
Size of suction port:	1 1/4 inch
Size of outlet port:	1 1/4 inch
Pressure rating:	PN 16
Flange size for motor:	182TC
<b>Liquid:</b>	
Pumped liquid:	Water
Liquid temperature during operation:	68 °F
Density:	62.29 lb/ft <sup>3</sup>
<b>Electrical data:</b>	
Motor standard:	NEMA
Power (P2) required by pump:	5 HP
<b>Controls:</b>	
Frequency converter:	NONE
<b>Others:</b>	
Net weight:	51.7 lb
Gross weight:	69.6 lb
Shipping volume:	6.11 ft <sup>3</sup>





**96084169 CR 5-15 60 Hz**



Note! All units are in [mm] unless otherwise stated.  
 Disclaimer: This simplified dimensional drawing does not show all details.



Company name:

Created by:

Phone:

Date: 2/20/2018

---

**Order Data:**

Product name: CR 5-15 A-B-A-V-HQQV

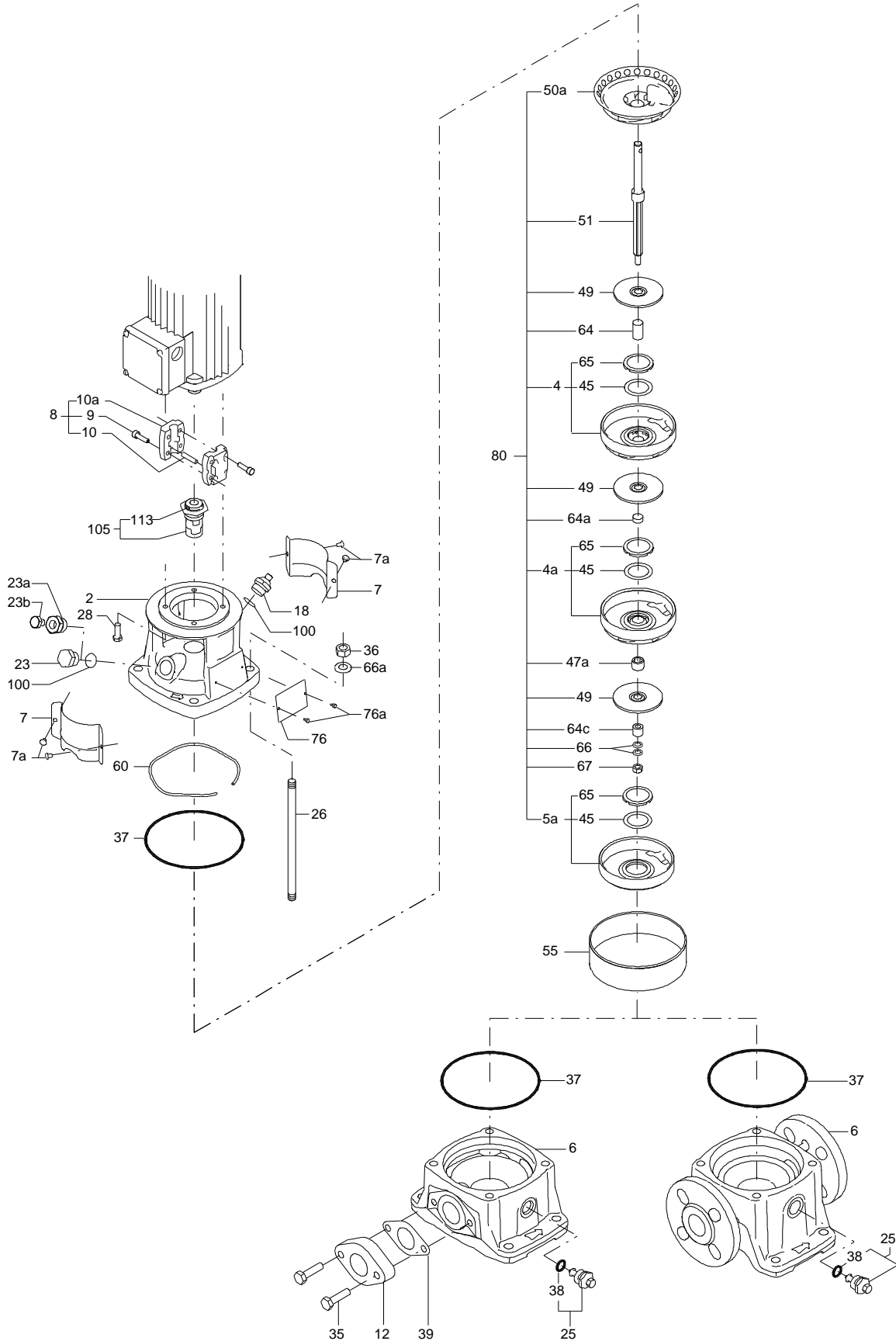
Amount: 1

Product No.: 96084169

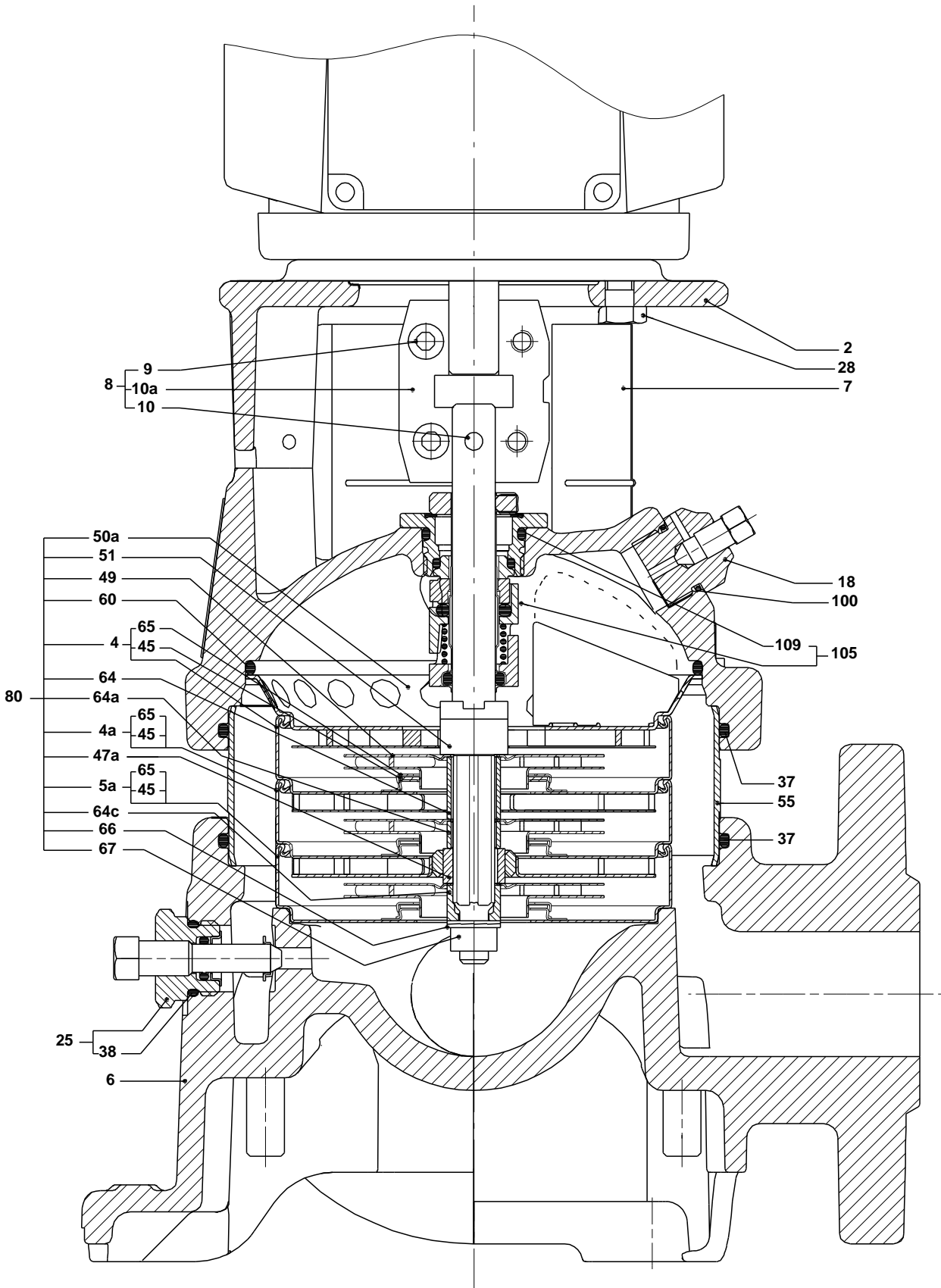
Total: Price on request

---

Exploded view (tm020210 4100)



Sectional drawing (tm020211 4100)



**Parts list CR 5-15, Prod number 96084169**

**Valid from 1.1.2004 (0401)**

Position	Description	Annotation	Classification data	Part No.	Count	Unit
-	Base cpl.				1	pcs
6	Base				1	
12	Flange				2	
35	Hex head screw		Length: 40 Thread: M10		4	
39	Gasket				2	
-	Sealing parts				1	pcs
- 25	Drain plug w/bypass valve				1	
38	O-ring		Diameter: 16,3 Material type: FKM Thickness: 2,4			
37	O-ring		Diameter: 137,5 Material type: FKM Thickness: 3,3		2	
100	O-ring		Diameter: 16,3 Material type: FKM Thickness: 2,4		2	
- 2	Pump head cpl.				1	pcs
2	Pump head				1	
7	Coupling guard				2	
7a	Thread cutting screw				4	
- 18	Air vent screw				1	
	Plug					
	Spindle					
- 25	Drain plug				1	
23	Pipe plug					
25	Drain plug					
28	Hex head cap screw		Length: 25 Thread: UNC 1/2"		4	
60	Formed wire spring				1	
+ 8	Coupling cpl.				1	pcs
26	Staybolt		Length: 427 Thread: M12		4	pcs
36a	Washer		Designation: DIN 125 A Inner diameter: 13 Outer diameter: 24 Thickness: 2,5		4	pcs
55	Outer sleeve				1	pcs
66a	Nut		Thread: M12		4	pcs
- 80	Chamber stack				1	pcs
-	Guide vane cpl.				1	
	Guide vane					
	Plate					
50b	Top plate					
- 4	Chamber cpl.				11	
	Chamber					
	Retainer for seal ring					
	Guide vane					
	Plate					
	Vane					
45	Neck ring					
65	Retainer					
- 4a	Chamber w. bearing cpl.				3	

Position	Description	Annotation	Classification data	Part No.	Count	Unit
	Chamber					
	Retainer for seal ring					
	Guide vane					
	Retainer for bearing					
	Bearing bush					
	Vane					
45	Neck ring					
65	Retainer					
- 5a	Chamber cpl.				1	
	Chamber					
45	Neck ring					
65	Retainer					
36	Lock nut		Thread: M8		1	
47a	Bearing ring, rotating				3	
49	Impeller cpl.				15	
51	Shaft, spline, cpl.				1	
64.d	Spacing pipe		Length: 13.00		3	
64c	Clamp, splined		Inner diameter: 8,5 Outer diameter: 15		1	
66	Wedge lock washer				1	
69	Spacing pipe		Length: 26.0		11	
69	Spacing pipe		Length: 2.00		1	
- 105	Shaft seal		Material type: HQQV		1	pcs
	O-ring				1	
	O-ring				1	
	O-ring				1	
	Seal driver, upper				1	
	Seal driver, lower				1	
	Spacer ring				1	
	Pipe				1	
	Plug				1	
	Plug				1	
	Compression spring				1	
	Socket set screw				3	
103	Seal ring, stationary				1	
105	Seal ring, rotating				1	
109	O-ring				1	
113	Driver				1	