

PROJECT: _____	UNIT TAG: _____	QUANTITY: _____
REPRESENTATIVE: _____	TYPE OF SERVICE: _____	DATE: _____
ENGINEER: _____	SUBMITTED BY: _____	DATE: _____
CONTRACTOR: _____	APPROVED BY: _____	DATE: _____
	ORDER NO.: _____	DATE: _____

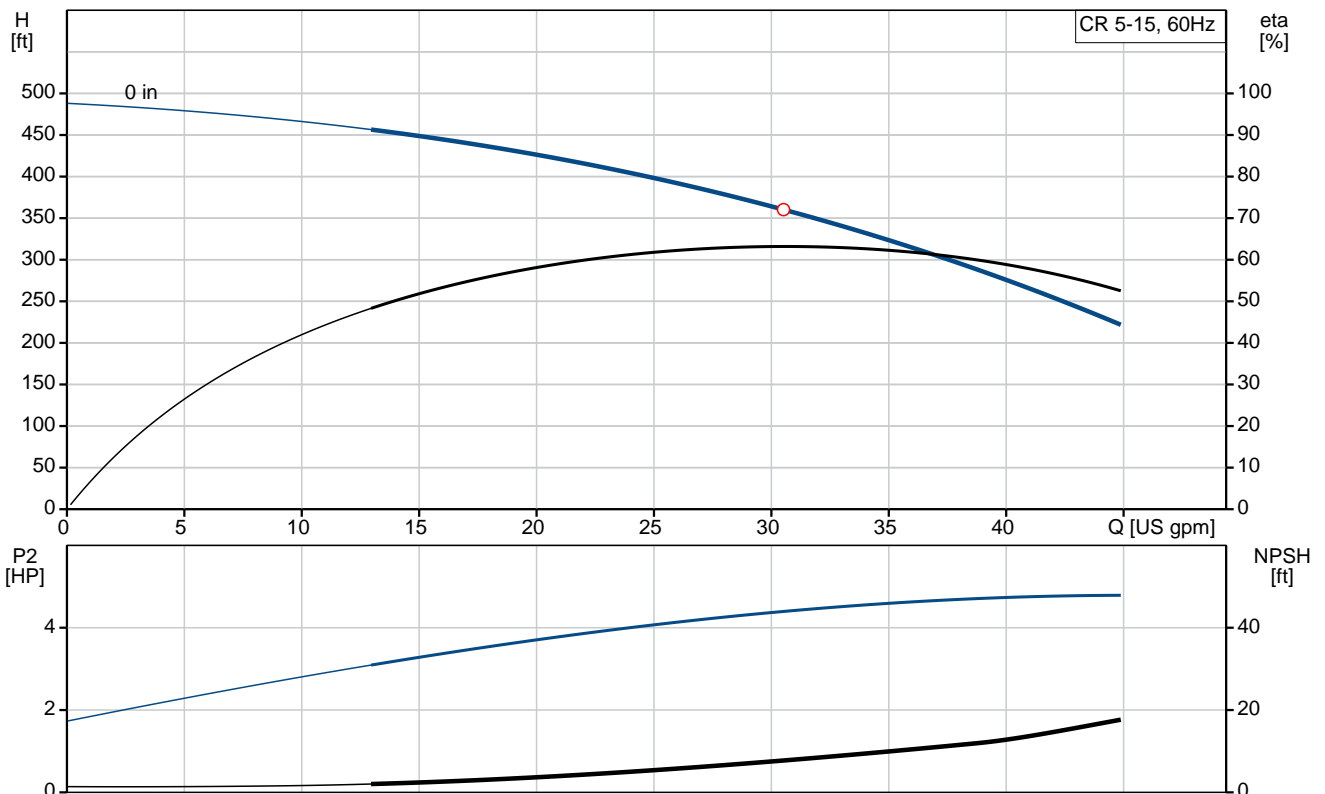


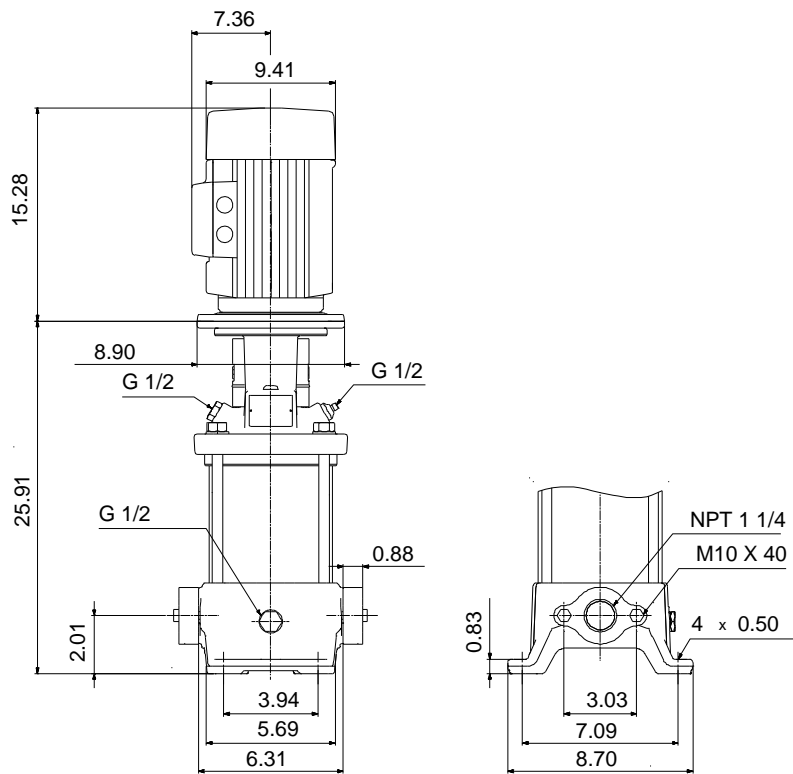
CR 5-15

Vertical, multistage centrifugal pump with suction and discharge ports on the same level. The pump head and base are in cast iron. All other wetted parts are in stainless steel (EN 1.4301)(AISI 304)

Product photo could vary from the actual product

Conditions of Service	Pump Data	Motor Data
Flow: _____	Max pressure at stated temperature: 232 psi / 194 °F	Rated power - P2: 5 HP
Head: _____	Maximum ambient temperature: 104 °F	Rated voltage: 208-230 V
Efficiency: _____	Approvals: CURUS	Main frequency: 60 Hz
Liquid: Water	Shaft seal: HQQV	Enclosure class: 54 Dust/Splashing
Temperature: 68 °F	Product number: 96084197	Insulation class: F
NPSH required: ft		Motor protection: NONE
Viscosity: _____		Motor type: BALDOR
Specific Gravity: 1.000		





Materials:

Base: Cast iron
 EN 1561 EN-GJL-200
 ASTM A48-25B

Impeller: Stainless steel
 AISI 304
 EN 1.4301

Material code: A
 Code for rubber: V

Tender Text



Product No.: [96084197](#)

CR 5-15 A-B-A-V-HQQV

Vertical, non-self-priming, multistage, in-line, centrifugal pump for installation in pipe systems and mounting on a foundation.

The pump has the following characteristics:

- Impellers and intermediate chambers are made of
- The shaft seal has assembly length

according to EN 12756.

- Power transmission is via cast iron split coupling.

The motor is a 1-phase AC motor.

Controls:

Frequency converter: NONE

Liquid:

Pumped liquid: Water

Liquid temperature during operation: 68 °F

Density: 62.29 lb/ft³

Technical:

Speed for pump data: 3468 rpm

Pump orientation: Vertical

Shaft seal arrangement: Single

Code for shaft seal: HQQV

Approvals on nameplate: CURUS

Curve tolerance: ISO9906:2012 3B

Materials:

Base: Cast iron
EN 1561 EN-GJL-200
ASTM A48-25B

Impeller: Stainless steel
EN 1.4301

Bearing material: AISI 304

SIC

Installation:

Maximum ambient temperature: 104 °F

Max pressure at stated temperature: 232 psi / 194 °F
232 psi / -4 °F

Type of connection: Oval / NPT(F)

Size of suction port: 1 1/4 inch

Size of outlet port: 1 1/4 inch

Pressure rating: PN 16



Company name:

Created by:

Phone:

Date:

2/20/2018


Flange size for motor: 182TC

Electrical data:

Motor standard: NEMA
Motor type: BALDOR
IE Efficiency class: NA
Rated power - P2: 5 HP
Power (P2) required by pump: 5 HP
Main frequency: 60 Hz
Rated voltage: 1 x 208-230 V
Service factor: 1,15
Rated current: 24,0-22,0 A
Rated speed: 3450 rpm
Number of poles: 2
Enclosure class (IEC 34-5): 54 Dust/Splashing
Insulation class (IEC 85): F

Others:

Net weight: 153 lb
Gross weight: 171 lb
Shipping volume: 10.1 ft³

Position	Count	Description
	1	<p>CR 5-15 A-B-A-V-HQQV</p>  <p>Product No.: 96084197 Vertical, non-self-priming, multistage, in-line, centrifugal pump for installation in pipe systems and mounting on a foundation.</p> <p>The pump has the following characteristics:</p> <ul style="list-style-type: none"> - Impellers and intermediate chambers are made of - The shaft seal has assembly length according to EN 12756. - Power transmission is via cast iron split coupling. <p>The motor is a 1-phase AC motor.</p> <p>Controls: Frequency converter: NONE</p> <p>Liquid: Pumped liquid: Water Liquid temperature during operation: 68 °F Density: 62.29 lb/ft³</p> <p>Technical: Speed for pump data: 3468 rpm Pump orientation: Vertical Shaft seal arrangement: Single Code for shaft seal: HQQV Approvals on nameplate: CURUS Curve tolerance: ISO9906:2012 3B</p> <p>Materials: Base: Cast iron EN 1561 EN-GJL-200 ASTM A48-25B Impeller: Stainless steel EN 1.4301 AISI 304 Bearing material: SIC</p> <p>Installation: Maximum ambient temperature: 104 °F Max pressure at stated temperature: 232 psi / 194 °F 232 psi / -4 °F Type of connection: Oval / NPT(F) Size of suction port: 1 1/4 inch Size of outlet port: 1 1/4 inch Pressure rating: PN 16 Flange size for motor: 182TC</p>



Company name:

Created by:

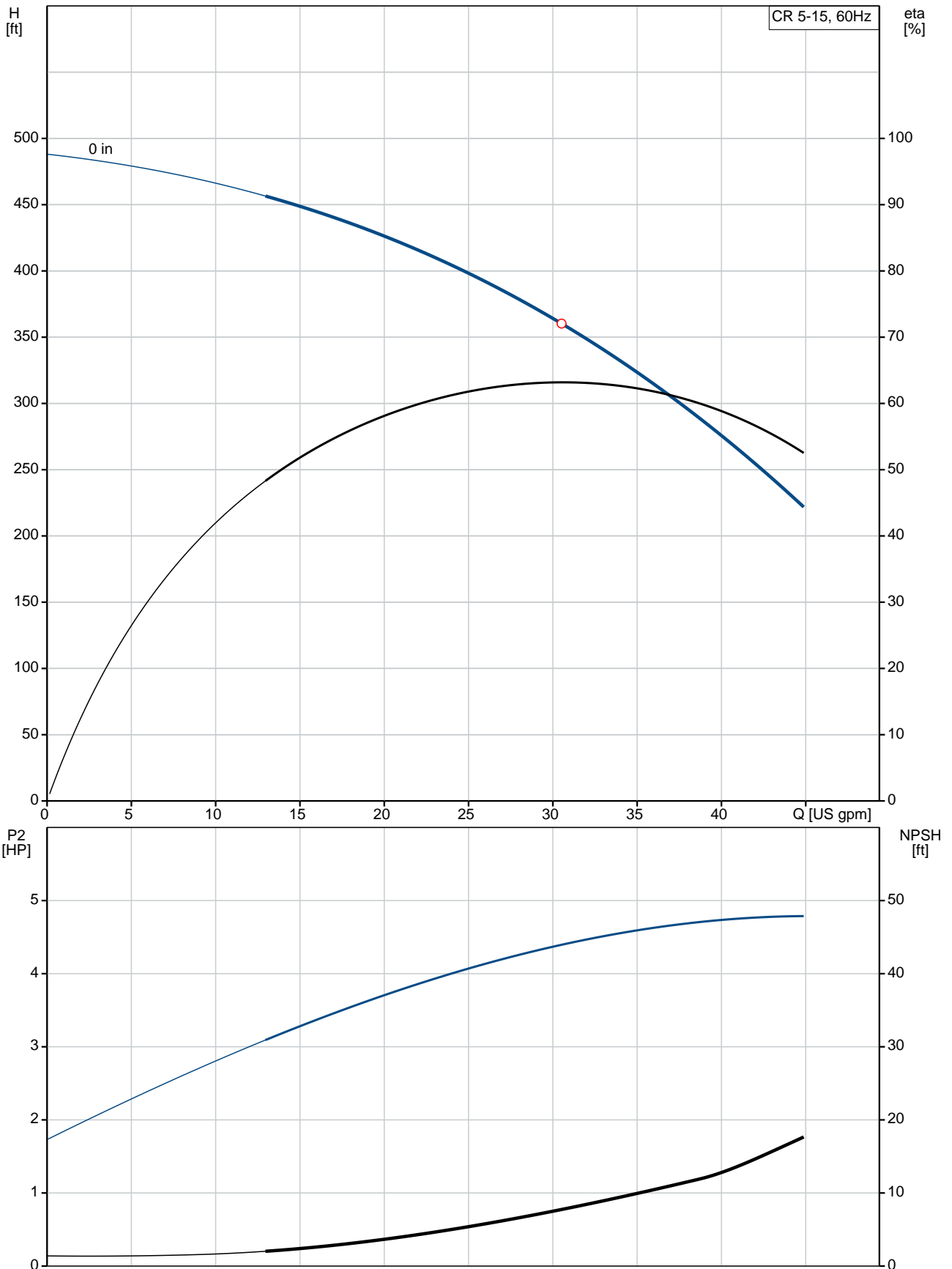
Phone:

Date:

2/20/2018

Position	Count	Description
		Electrical data: Motor standard: NEMA Motor type: BALDOR IE Efficiency class: NA Rated power - P2: 5 HP Power (P2) required by pump: 5 HP Main frequency: 60 Hz Rated voltage: 1 x 208-230 V Service factor: 1,15 Rated current: 24,0-22,0 A Rated speed: 3450 rpm Number of poles: 2 Enclosure class (IEC 34-5): 54 Dust/Splashing Insulation class (IEC 85): F Others: Net weight: 153 lb Gross weight: 171 lb Shipping volume: 10.1 ft ³

96084197 CR 5-15 60 Hz



Description	Value
-------------	-------

General information:

Product name: CR 5-15 A-B-A-V-HQQV
Product No.: 96084197
EAN: 5700395190359

Technical:

Speed for pump data: 3468 rpm
Stages: 15
Impellers: 15
Low NPSH: N
Pump orientation: Vertical
Shaft seal arrangement: Single
Code for shaft seal: HQQV
Approvals on nameplate: CURUS
Curve tolerance: ISO9906:2012 3B
Pump version: A
Model: A
Cooling: TEFC

Materials:

Base: Cast iron
EN 1561 EN-GJL-200
ASTM A48-25B
Impeller: Stainless steel
EN 1.4301
AISI 304
Material code: A
Code for rubber: V
Bearing material: SIC

Installation:

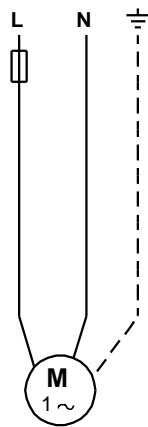
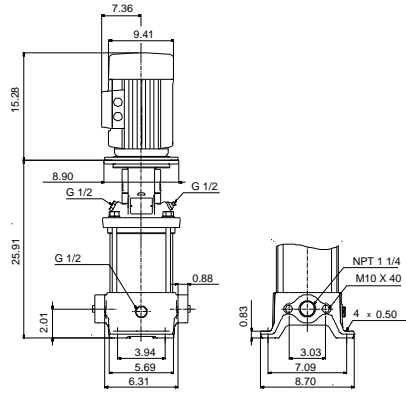
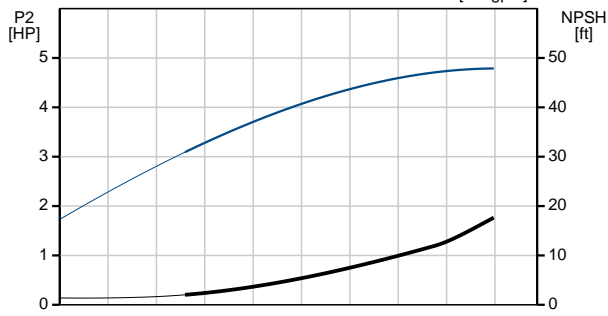
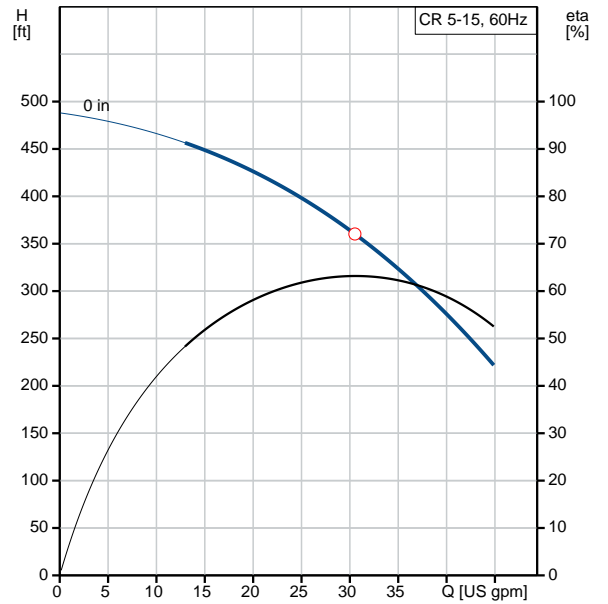
Maximum ambient temperature: 104 °F
Max pressure at stated temperature: 232 psi / 194 °F
232 psi / -4 °F
Type of connection: Oval / NPT(F)
Connect code: B
Size of suction port: 1 1/4 inch
Size of outlet port: 1 1/4 inch
Pressure rating: PN 16
Flange size for motor: 182TC

Liquid:

Pumped liquid: Water
Liquid temperature during operation: 68 °F
Density: 62.29 lb/ft³

Electrical data:

Motor standard: NEMA
Motor type: BALDOR
IE Efficiency class: NA
Rated power - P2: 5 HP
Power (P2) required by pump: 5 HP
Main frequency: 60 Hz
Rated voltage: 1 x 208-230 V
Service factor: 1,15
Rated current: 24,0-22,0 A
Load current: 27,0-25,0 A
Rated speed: 3450 rpm
Number of poles: 2





Company name:

Created by:

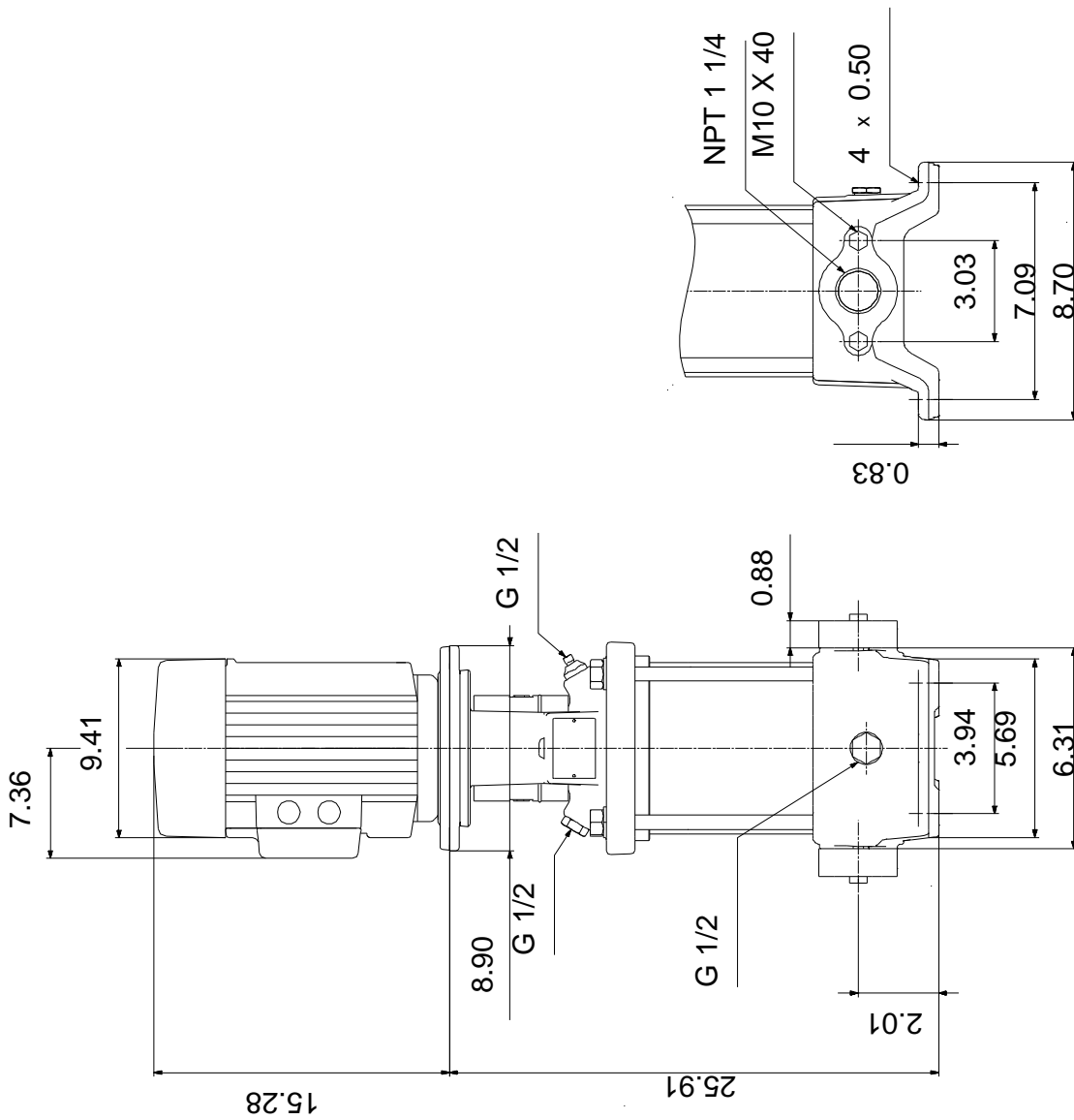
Phone:

Date:

2/20/2018

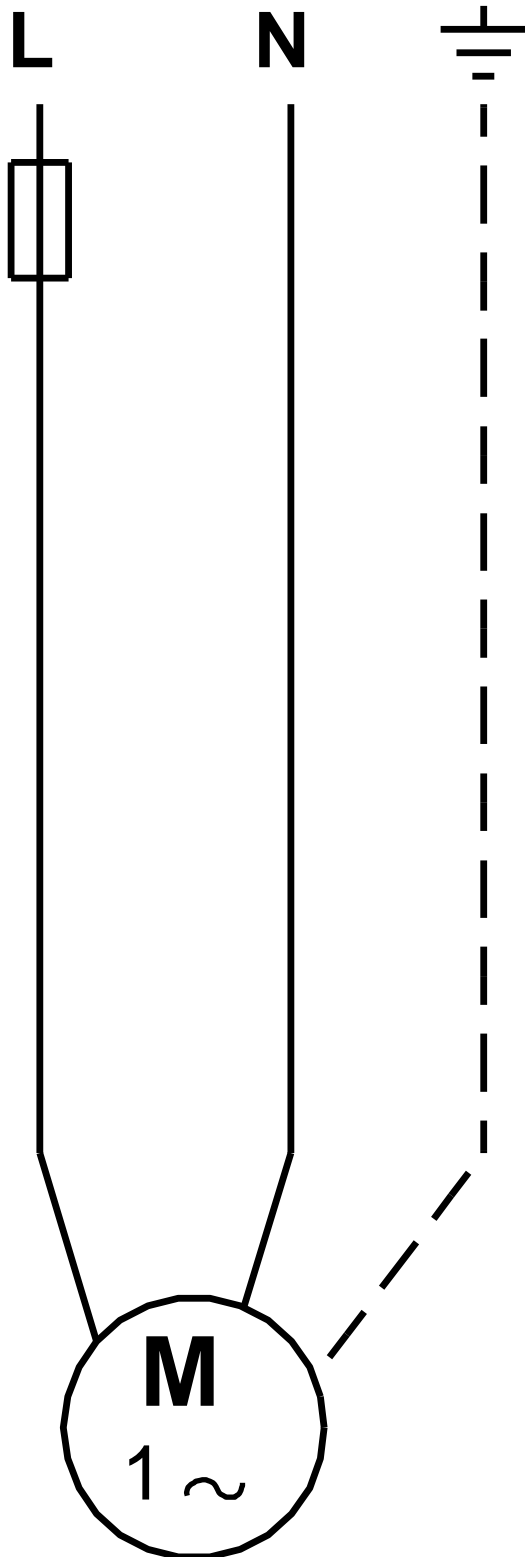
Description	Value
Enclosure class (IEC 34-5):	54 Dust/Splashing
Insulation class (IEC 85):	F
Motor protection:	NONE
Motor Number:	85700012
Controls:	
Frequency converter:	NONE
Others:	
Net weight:	153 lb
Gross weight:	171 lb
Shipping volume:	10.1 ft ³

96084197 CR 5-15 60 Hz



Note! All units are in [mm] unless otherwise stated.
Disclaimer: This simplified dimensional drawing does not show all details.

96084197 CR 5-15 60 Hz



All units are [mm] unless otherwise presented.



Company name:

Created by:

Phone:

Date: 2/20/2018

Order Data:

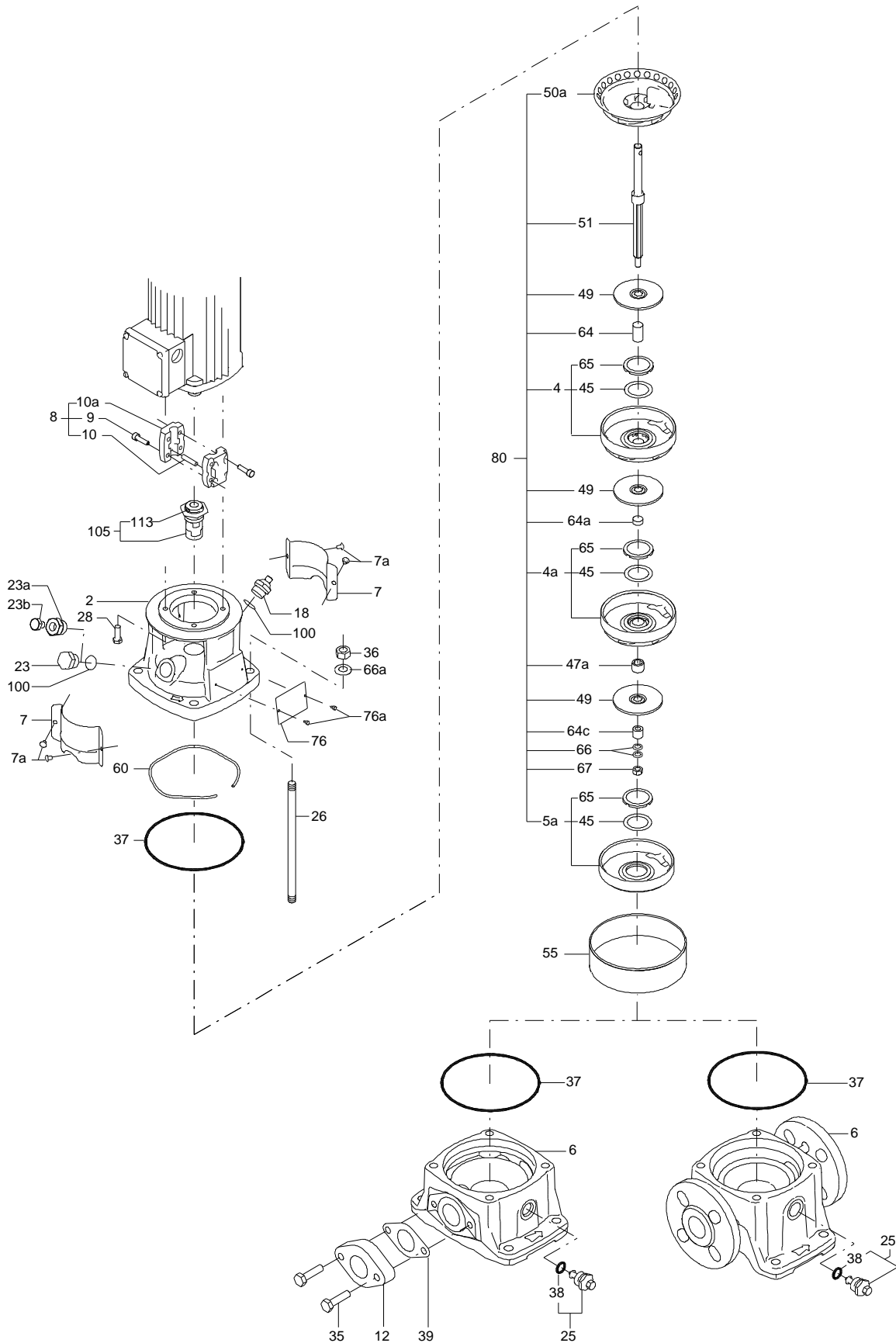
Product name: CR 5-15 A-B-A-V-HQQV

Amount: 1

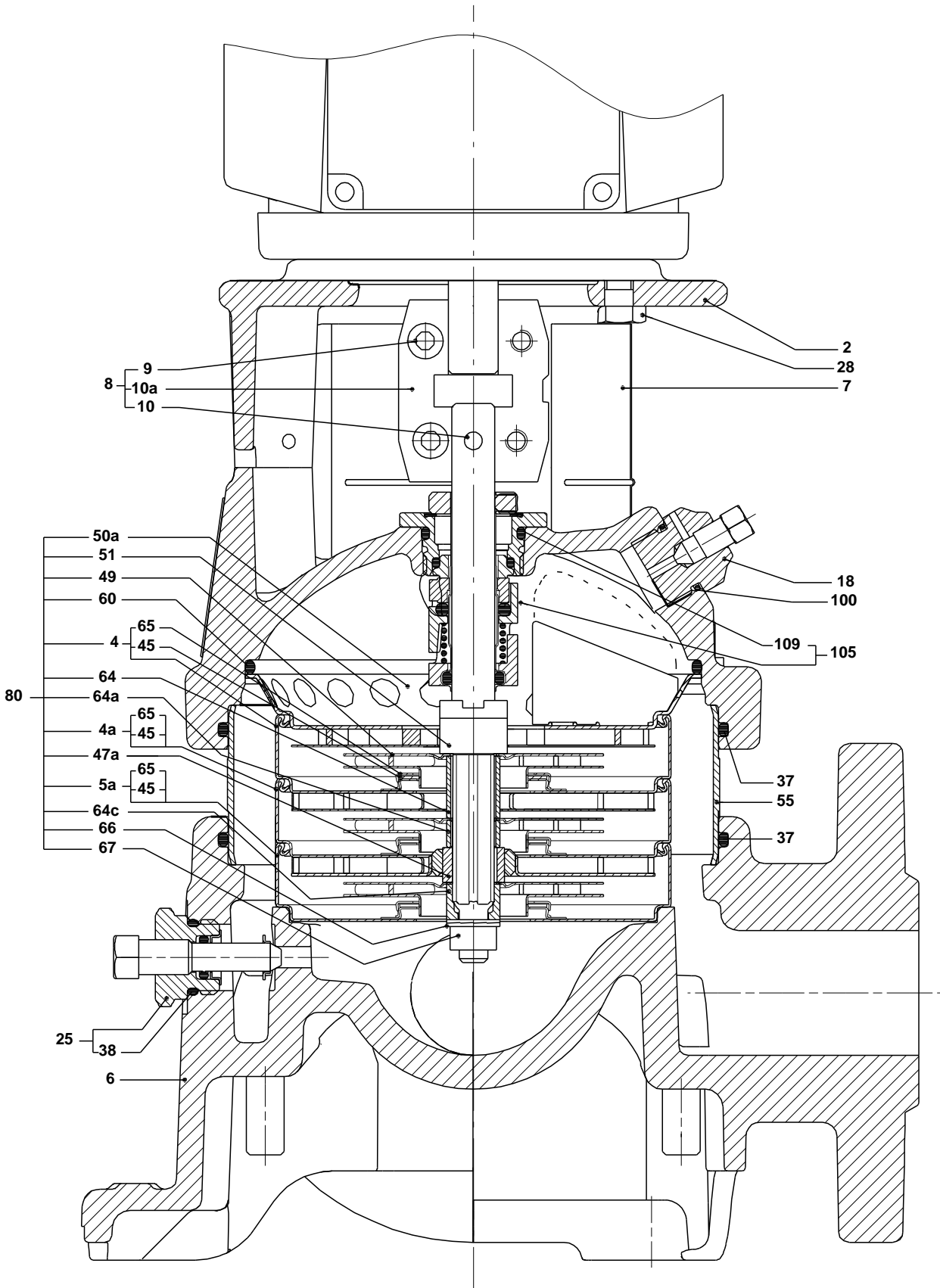
Product No.: 96084197

Total: Price on request

Exploded view (tm020210 4100)



Sectional drawing (tm020211 4100)



Parts list CR 5-15, Prod number 96084197

Valid from 1.1.2004 (0401)

Position	Description	Annotation	Classification data	Part No.	Count	Unit
	Motor				1	pcs
-	Base cpl.				1	pcs
6	Base				1	
12	Flange				2	
35	Hex head screw		Length: 40 Thread: M10		4	
39	Gasket				2	
-	Sealing parts				1	pcs
- 25	Drain plug w/bypass valve				1	
38	O-ring		Diameter: 16,3 Material type: FKM Thickness: 2,4			
37	O-ring		Diameter: 137,5 Material type: FKM Thickness: 3,3		2	
100	O-ring		Diameter: 16,3 Material type: FKM Thickness: 2,4		2	
- 2	Pump head cpl.				1	pcs
2	Pump head				1	
7	Coupling guard				2	
7a	Thread cutting screw				4	
- 18	Air vent screw				1	
	Plug					
	Spindle					
- 25	Drain plug				1	
23	Pipe plug					
25	Drain plug					
28	Hex head cap screw		Length: 25 Thread: UNC 1/2"		4	
60	Formed wire spring				1	
+ 8	Coupling cpl.				1	pcs
26	Staybolt		Length: 427 Thread: M12		4	pcs
36a	Washer		Designation: DIN 125 A Inner diameter: 13 Outer diameter: 24 Thickness: 2,5		4	pcs
55	Outer sleeve				1	pcs
66a	Nut		Thread: M12		4	pcs
- 80	Chamber stack				1	pcs
-	Guide vane cpl.				1	
	Guide vane					
	Plate					
50b	Top plate					
- 4	Chamber cpl.				11	
	Chamber					
	Retainer for seal ring					
	Guide vane					
	Plate					
	Vane					
45	Neck ring					
65	Retainer					

Position	Description	Annotation	Classification data	Part No.	Count	Unit
- 4a	Chamber w. bearing cpl.				3	
	Chamber					
	Retainer for seal ring					
	Guide vane					
	Retainer for bearing					
	Bearing bush					
	Vane					
45	Neck ring					
65	Retainer					
- 5a	Chamber cpl.				1	
	Chamber					
45	Neck ring					
65	Retainer					
36	Lock nut		Thread: M8		1	
47a	Bearing ring, rotating				3	
49	Impeller cpl.				15	
51	Shaft, spline, cpl.				1	
64.d	Spacing pipe		Length: 13.00		3	
64c	Clamp, splined		Inner diameter: 8,5		1	
			Outer diameter: 15			
66	Wedge lock washer				1	
69	Spacing pipe		Length: 26.0		11	
69	Spacing pipe		Length: 2.00		1	
- 105	Shaft seal		Material type: HQQV		1	pcs
	O-ring				1	
	O-ring				1	
	O-ring				1	
	Seal driver, upper				1	
	Seal driver, lower				1	
	Spacer ring				1	
	Pipe				1	
	Plug				1	
	Plug				1	
	Compression spring				1	
	Socket set screw				3	
103	Seal ring, stationary				1	
105	Seal ring, rotating				1	
109	O-ring				1	
113	Driver				1	