

|                       |                        |                 |
|-----------------------|------------------------|-----------------|
| PROJECT: _____        | UNIT TAG: _____        | QUANTITY: _____ |
| REPRESENTATIVE: _____ | TYPE OF SERVICE: _____ | DATE: _____     |
| ENGINEER: _____       | SUBMITTED BY: _____    | DATE: _____     |
| CONTRACTOR: _____     | APPROVED BY: _____     | DATE: _____     |
|                       | ORDER NO.: _____       | DATE: _____     |

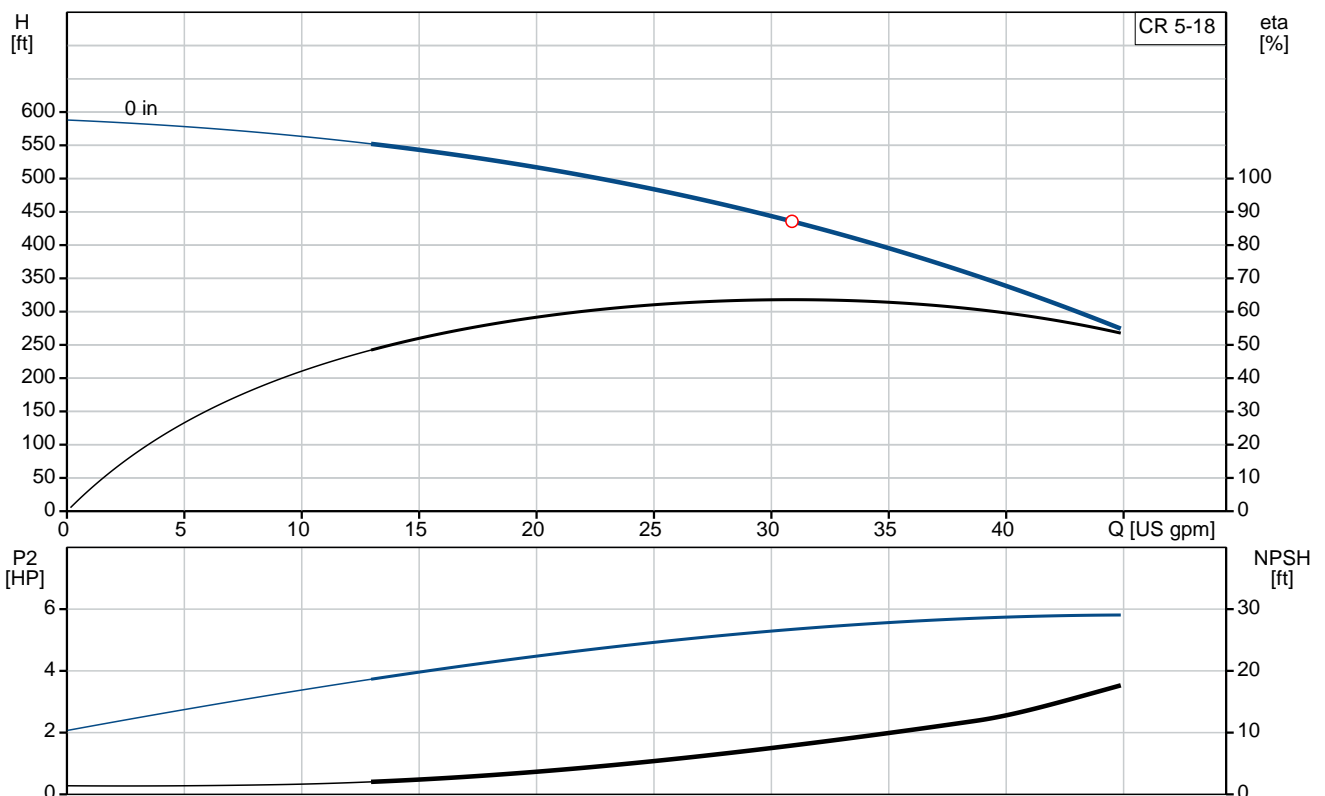


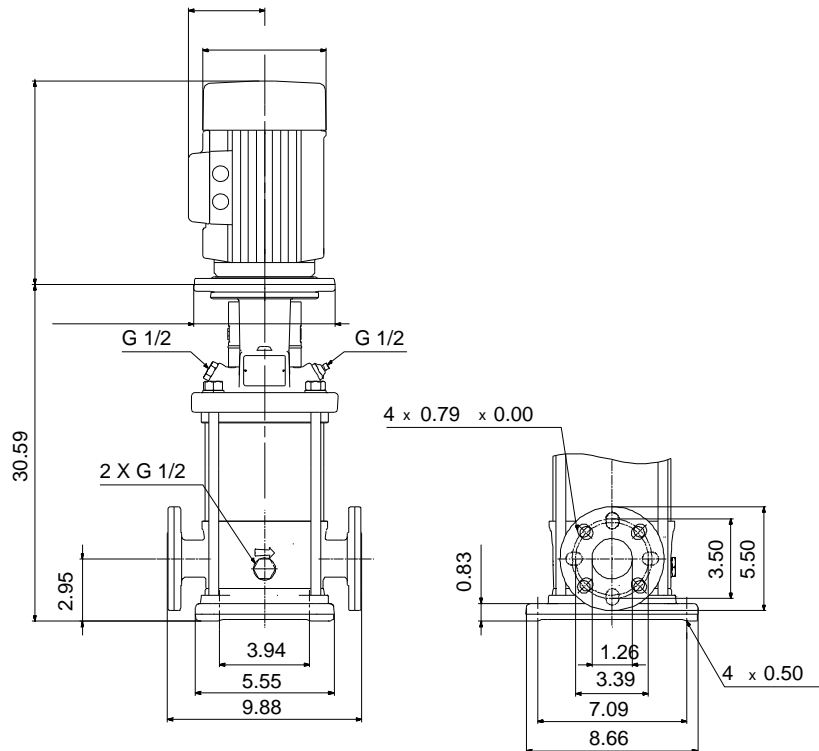
### CR 5-18

Vertical, multistage centrifugal pump with suction and discharge ports on the same level. The pump head and base are in cast iron. All other wetted parts are in stainless steel (EN 1.4301)(AISI 304)

Product photo could vary from the actual product

| Conditions of Service   | Pump Data  | Motor Data            |
|-------------------------|--|-----------------------|
| Flow: _____             | Max pressure at stated temperature: 363 psi / 250 °F | Main frequency: 60 Hz |
| Head: _____             | Approvals: NSF61                                     |                       |
| Efficiency: _____       | Shaft seal: HQQE                                     |                       |
| Liquid: Water           | Product number: 96084246                             |                       |
| Temperature: 68 °F      |  |                       |
| NPSH required: ft       |  |                       |
| Viscosity: _____        |  |                       |
| Specific Gravity: 1.000 |  |                       |





**Materials:**

Base: Cast iron  
 EN 1561 EN-GJL-200  
 ASTM A48-25B

Impeller: Stainless steel  
 AISI 304  
 EN 1.4301

Material code: A  
 Code for rubber: E

## Tender Text



Product photo could vary from the actual product

Product No.: [96084246](#)

### CR 5-18 A-FGJ-A-E-HQQE

Vertical, non-self-priming, multistage, in-line, centrifugal pump for installation in pipe systems and mounting on a foundation.

The pump has the following characteristics:

- Impellers and intermediate chambers are made of
- The shaft seal has assembly length according to EN 12756.
- Power transmission is via cast iron split coupling.

#### Controls:

Frequency converter: NONE

#### Liquid:

Pumped liquid: Water  
Liquid temperature during operation: 68 °F  
Density: 62.29 lb/ft<sup>3</sup>

#### Technical:

Speed for pump data: 3467 rpm  
Pump orientation: Vertical  
Shaft seal arrangement: Single  
Code for shaft seal: HQQE  
Approvals on nameplate: NSF61  
Curve tolerance: ISO9906:2012 3B

#### Materials:

Base: Cast iron  
EN 1561 EN-GJL-200  
ASTM A48-25B  
Impeller: Stainless steel  
EN 1.4301  
AISI 304  
Bearing material: SIC

#### Installation:

Max pressure at stated temperature: 363 psi / 250 °F  
363 psi / -4 °F  
Type of connection: DIN / ANSI / JIS



Company name:

Created by:

Phone:

Date:

2/20/2018


Size of inlet connection: DN 25/32  
Size of suction port: 1 1/4 inch  
Size of outlet connection: DN 25/32  
Size of outlet port: 1 1/4 inch  
Pressure rating: PN 25  
Flange size for motor: 213TC  
Flange rating inlet: 250 lb

**Electrical data:**

Motor standard: NEMA  
Power (P2) required by pump: 7.5 HP

**Others:**

Net weight: 70.5 lb  
Gross weight: 88.4 lb  
Shipping volume: 8.26 ft<sup>3</sup>

| Position | Count | Description   |
|----------|-------|---|
|          | 1     | <p><b>CR 5-18 A-FGJ-A-E-HQQE</b></p>  <p style="text-align: right;">Product photo could vary from the actual product</p> <p>Product No.: <a href="#">96084246</a><br/>           Vertical, non-self-priming, multistage, in-line, centrifugal pump for installation in pipe systems and mounting on a foundation.</p> <p>The pump has the following characteristics:</p> <ul style="list-style-type: none"> <li>- Impellers and intermediate chambers are made of</li> <li>- The shaft seal has assembly length according to EN 12756.</li> <li>- Power transmission is via cast iron split coupling.</li> </ul> <p>Controls:<br/>           Frequency converter: NONE</p> <p><b>Liquid:</b><br/>           Pumped liquid: Water<br/>           Liquid temperature during operation: 68 °F<br/>           Density: 62.29 lb/ft<sup>3</sup></p> <p><b>Technical:</b><br/>           Speed for pump data: 3467 rpm<br/>           Pump orientation: Vertical<br/>           Shaft seal arrangement: Single<br/>           Code for shaft seal: HQQE<br/>           Approvals on nameplate: NSF61<br/>           Curve tolerance: ISO9906:2012 3B</p> <p><b>Materials:</b><br/>           Base: Cast iron<br/>                     EN 1561 EN-GJL-200<br/>                     ASTM A48-25B<br/>           Impeller: Stainless steel<br/>                     EN 1.4301<br/>                     AISI 304<br/>           Bearing material: SIC</p> <p><b>Installation:</b><br/>           Max pressure at stated temperature: 363 psi / 250 °F<br/>             363 psi / -4 °F<br/>           Type of connection: DIN / ANSI / JIS<br/>           Size of inlet connection: DN 25/32<br/>           Size of suction port: 1 1/4 inch</p> |



Company name:

Created by:

Phone:

Date:

2/20/2018

| Position | Count | Description  |
|----------|-------|--|
|          |       | Size of outlet connection: DN 25/32<br>Size of outlet port: 1 1/4 inch<br>Pressure rating: PN 25<br>Flange size for motor: 213TC<br>Flange rating inlet: 250 lb<br><br><b>Electrical data:</b><br>Motor standard: NEMA<br>Power (P2) required by pump: 7.5 HP<br><br><b>Others:</b><br>Net weight: 70.5 lb<br>Gross weight: 88.4 lb<br>Shipping volume: 8.26 ft <sup>3</sup> |



Company name:

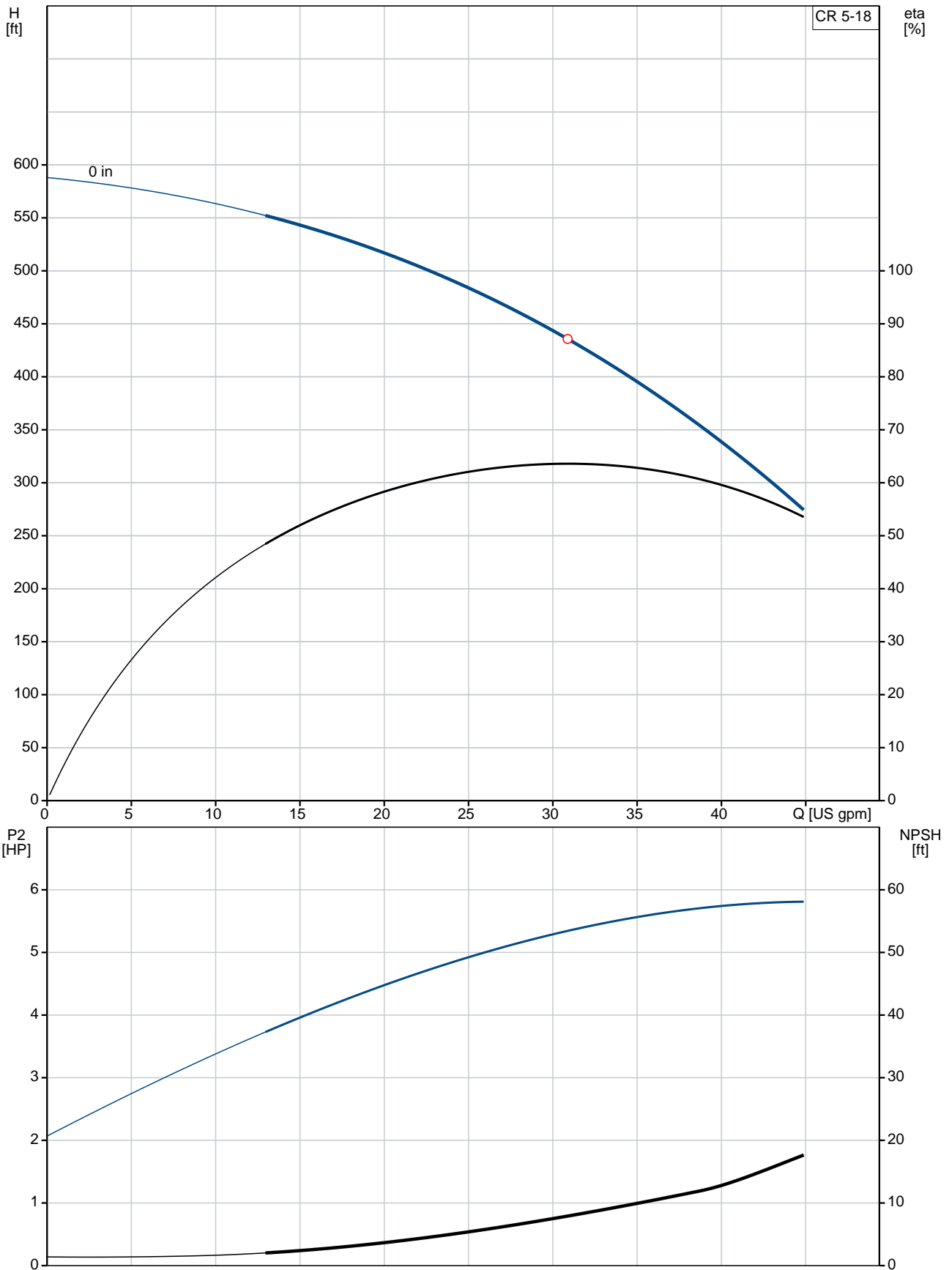
Created by:

Phone:

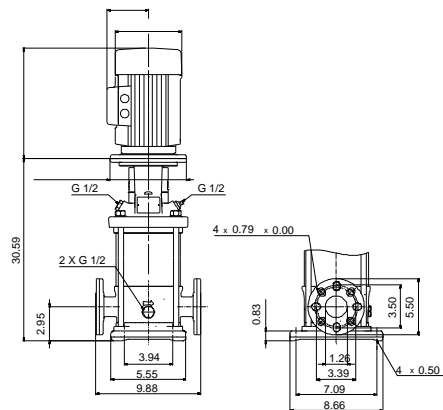
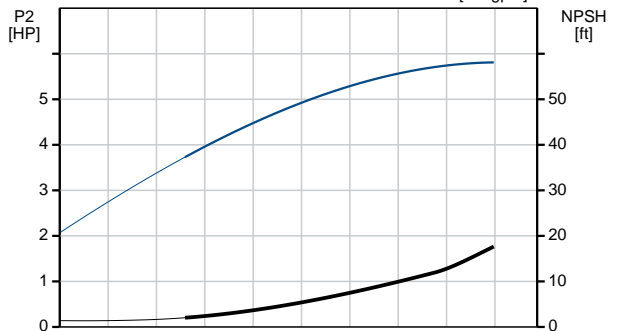
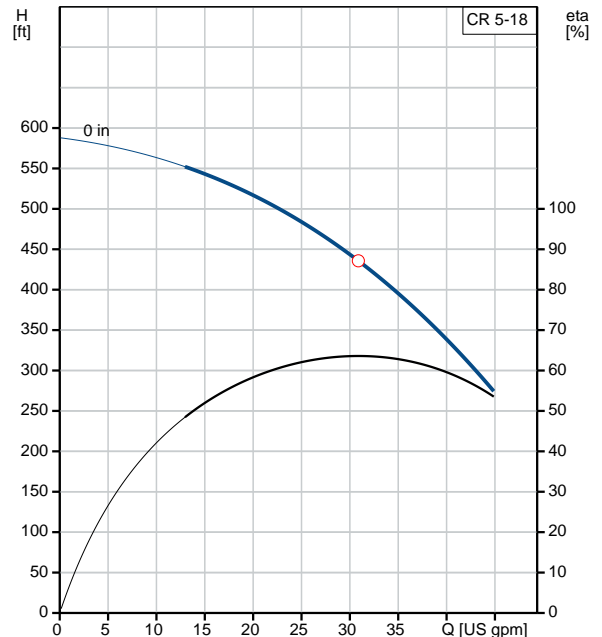
Date:

2/20/2018

### 96084246 CR 5-18 60 Hz

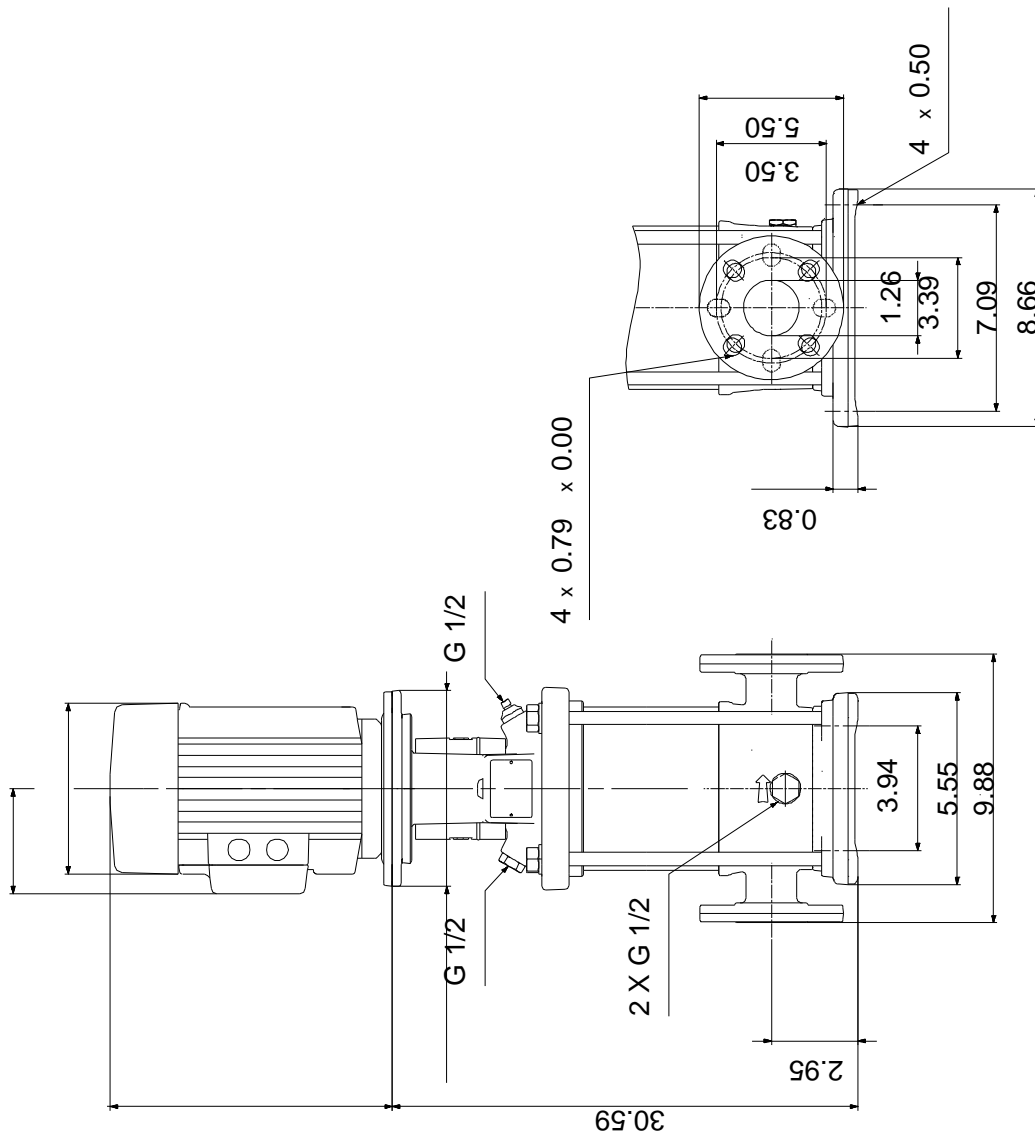


| Description                          | Value   |
|--------------------------------------|---|
| <b>General information:</b>          |   |
| Product name:                        | CR 5-18 A-FGJ-A-E-HQQE                          |
| Product No.:                         | 96084246  |
| EAN:                                 | 5700395190847                                   |
| <b>Technical:</b>                    |   |
| Speed for pump data:                 | 3467 rpm  |
| Stages:                              | 18  |
| Impellers:                           | 18  |
| Low NPSH:                            | N   |
| Pump orientation:                    | Vertical  |
| Shaft seal arrangement:              | Single  |
| Code for shaft seal:                 | HQQE  |
| Approvals on nameplate:              | NSF61   |
| Curve tolerance:                     | ISO9906:2012 3B                                 |
| Pump version:                        | A   |
| Model:                               | A   |
| <b>Materials:</b>                    |   |
| Base:                                | Cast iron<br>EN 1561 EN-GJL-200<br>ASTM A48-25B |
| Impeller:                            | Stainless steel<br>EN 1.4301<br>AISI 304        |
| Material code:                       | A   |
| Code for rubber:                     | E   |
| Bearing material:                    | SIC   |
| <b>Installation:</b>                 |   |
| Max pressure at stated temperature:  | 363 psi / 250 °F<br>363 psi / -4 °F             |
| Type of connection:                  | DIN / ANSI / JIS                                |
| Connect code:                        | FGJ   |
| Size of inlet connection:            | DN 25/32  |
| Size of suction port:                | 1 1/4 inch                                      |
| Size of outlet connection:           | DN 25/32  |
| Size of outlet port:                 | 1 1/4 inch                                      |
| Pressure rating:                     | PN 25   |
| Flange size for motor:               | 213TC   |
| Flange rating inlet:                 | 250 lb  |
| <b>Liquid:</b>                       |   |
| Pumped liquid:                       | Water   |
| Liquid temperature during operation: | 68 °F   |
| Density:                             | 62.29 lb/ft <sup>3</sup>                        |
| <b>Electrical data:</b>              |   |
| Motor standard:                      | NEMA  |
| Power (P2) required by pump:         | 7.5 HP  |
| <b>Controls:</b>                     |   |
| Frequency converter:                 | NONE  |
| <b>Others:</b>                       |   |
| Net weight:                          | 70.5 lb   |
| Gross weight:                        | 88.4 lb   |
| Shipping volume:                     | 8.26 ft <sup>3</sup>                            |





**96084246 CR 5-18 60 Hz**



Note! All units are in [mm] unless otherwise stated.  
Disclaimer: This simplified dimensional drawing does not show all details.



Company name:

Created by:

Phone:

Date: 2/20/2018

---

**Order Data:**

Product name: CR 5-18 A-FGJ-A-E-HQQE

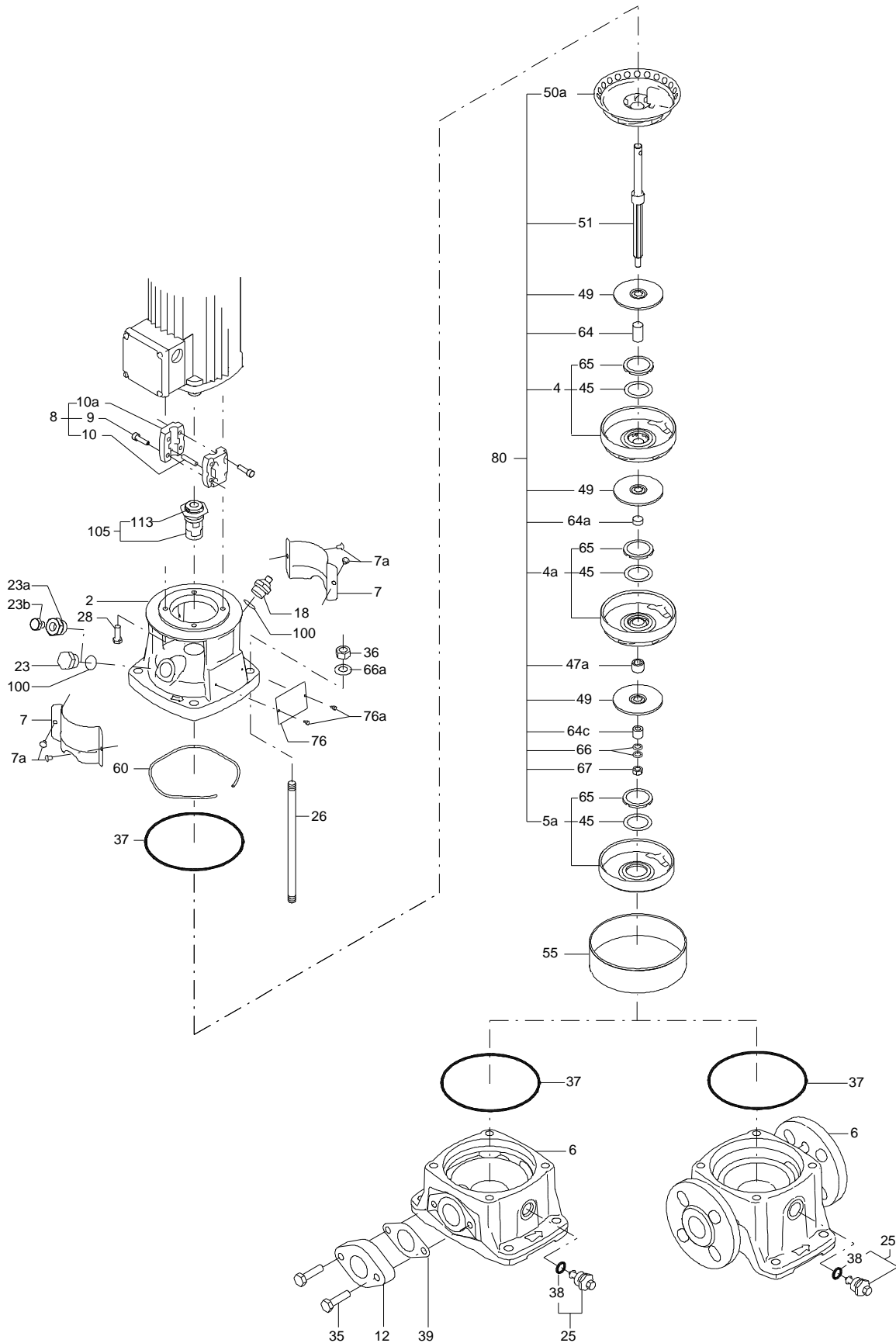
Amount: 1

Product No.: 96084246

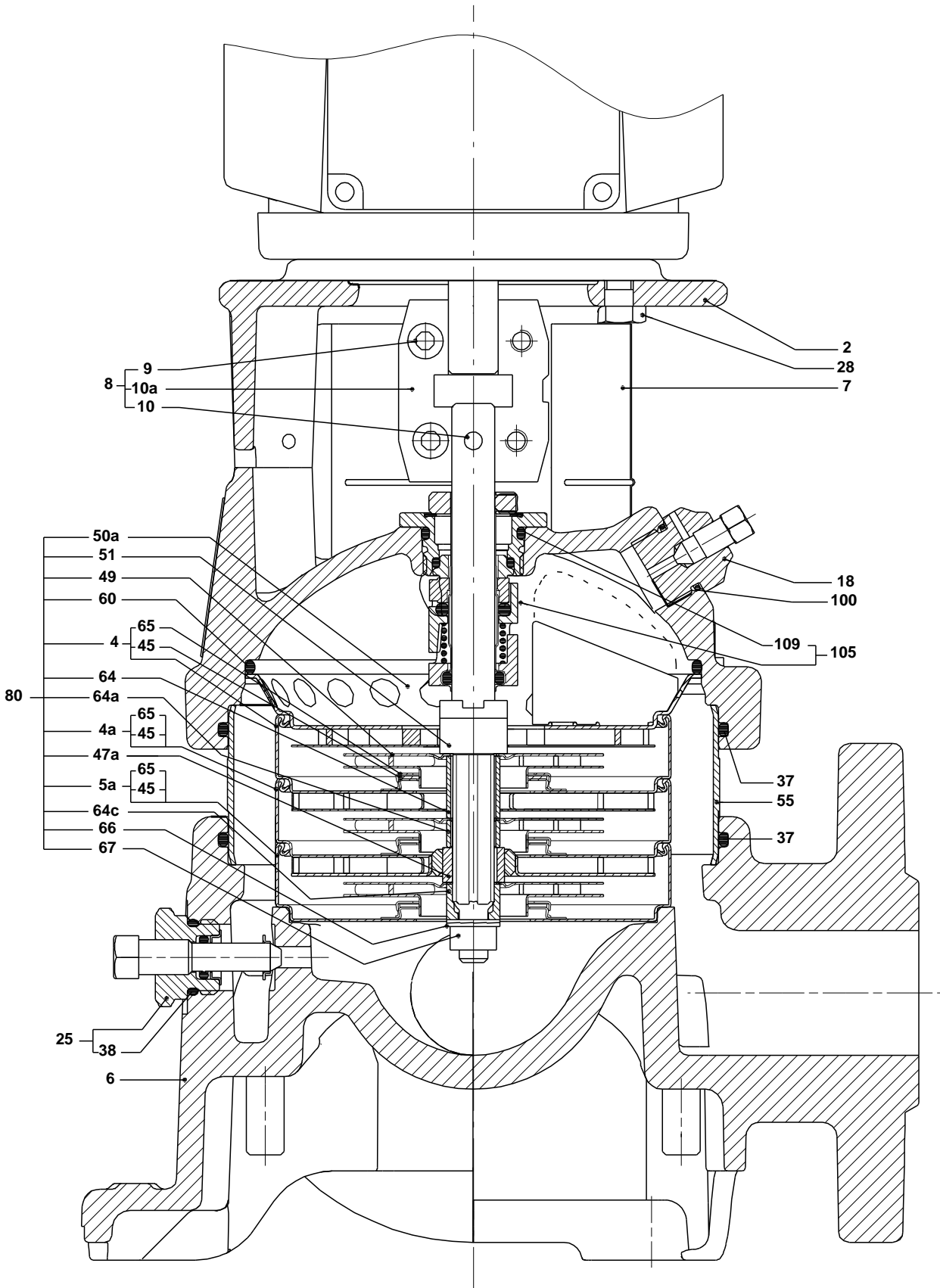
Total: Price on request

---

Exploded view (tm020210 4100)



Sectional drawing (tm020211 4100)



TM020211

**Parts list CR 5-18, Prod number 96084246**

**Valid from 1.1.2004 (0401)**

| Position | Description               | Annotation | Classification data    | Part No. | Count | Unit |
|----------|---------------------------|------------|------------------------|----------|-------|------|
| -        | Base cpl.                 |            |                        |          | 1     | pcs  |
| 6        | Base                      |            |                        |          | 1     |      |
| -        | Sealing parts             |            |                        |          | 1     | pcs  |
| - 25     | Drain plug w/bypass valve |            |                        |          | 1     |      |
| 38       | O-ring                    |            | Diameter: 16,3         |          |       |      |
|          |                           |            | Material type: EPDM    |          |       |      |
|          |                           |            | Thickness: 2,4         |          |       |      |
| 37       | O-ring                    |            |                        |          | 2     |      |
| 100      | O-ring                    |            | Diameter: 16,3         |          | 2     |      |
|          |                           |            | Material type: EPDM    |          |       |      |
|          |                           |            | Thickness: 2,4         |          |       |      |
| - 2      | Pump head cpl.            |            |                        |          | 1     | pcs  |
| 1        | Adapter flange            |            |                        |          | 1     |      |
| 2        | Pump head                 |            |                        |          | 1     |      |
| 7        | Coupling guard            |            |                        |          | 2     |      |
| 7a       | Thread cutting screw      |            |                        |          | 4     |      |
| - 18     | Air vent screw            |            |                        |          | 1     |      |
|          | Plug                      |            |                        |          |       |      |
|          | Spindle                   |            |                        |          |       |      |
| - 25     | Drain plug                |            |                        |          | 1     |      |
| 23       | Pipe plug                 |            |                        |          |       |      |
| 25       | Drain plug                |            |                        |          |       |      |
| 28       | Hex head bolt             |            |                        |          | 4     |      |
| 60       | Formed wire spring        |            |                        |          | 1     |      |
| + 8      | Coupling                  |            |                        |          | 1     | pcs  |
| 26       | Staybolt                  |            | Length: 511            |          | 4     | pcs  |
|          |                           |            | Thread: M12            |          |       |      |
| 36a      | Washer                    |            | Designation: DIN 125 A |          | 4     | pcs  |
|          |                           |            | Inner diameter: 13     |          |       |      |
|          |                           |            | Outer diameter: 24     |          |       |      |
|          |                           |            | Thickness: 2,5         |          |       |      |
| 55       | Outer sleeve              |            |                        |          | 1     | pcs  |
| 66a      | Nut                       |            | Thread: M12            |          | 4     | pcs  |
| + 80     | Chamber stack             |            |                        |          | 1     | pcs  |
| - 105    | Shaft seal                |            | Material type: HQQE    |          | 1     | pcs  |
|          | O-ring                    |            |                        |          | 1     |      |
|          | O-ring                    |            |                        |          | 1     |      |
|          | Seal driver, upper        |            |                        |          | 1     |      |
|          | Seal driver, lower        |            |                        |          | 1     |      |
|          | Spacer ring               |            |                        |          | 1     |      |
|          | Pipe                      |            |                        |          | 1     |      |
|          | Plug                      |            |                        |          | 1     |      |
|          | Plug                      |            |                        |          | 1     |      |
|          | Compression spring        |            |                        |          | 1     |      |
|          | Socket set screw          |            |                        |          | 1     |      |
| 102      | O-ring                    |            | Diameter: 22,00        |          | 1     |      |
|          |                           |            | Material type: EPDM    |          |       |      |
|          |                           |            | Thickness: 2,75        |          |       |      |
| 103      | Seal ring, stationary     |            |                        |          | 1     |      |
| 105      | Seal ring, rotating       |            |                        |          | 1     |      |
| 107      | O-ring                    |            |                        |          | 1     |      |
| 113      | Driver                    |            |                        |          | 1     |      |