

PROJECT: _____	UNIT TAG: _____	QUANTITY: _____
REPRESENTATIVE: _____	TYPE OF SERVICE: _____	DATE: _____
ENGINEER: _____	SUBMITTED BY: _____	DATE: _____
CONTRACTOR: _____	APPROVED BY: _____	DATE: _____
	ORDER NO.: _____	DATE: _____

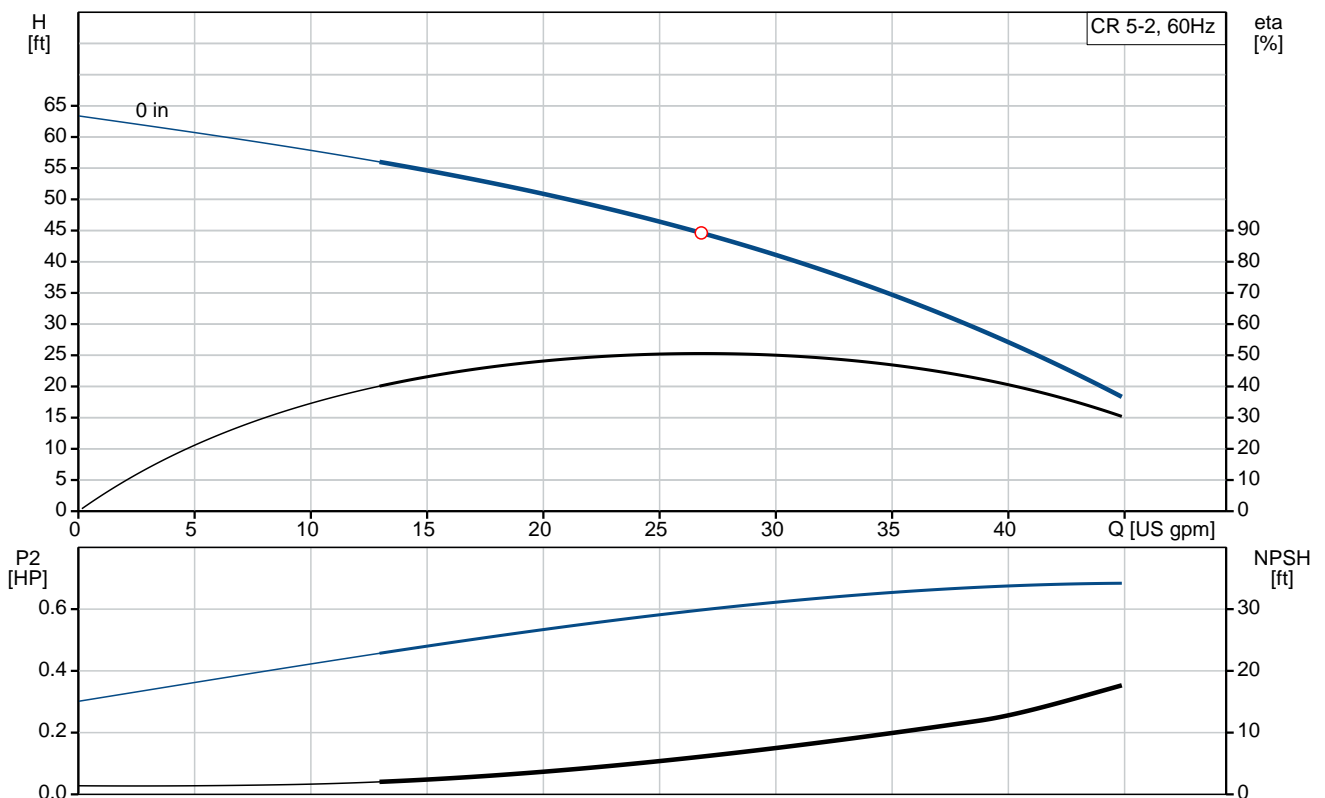
### CR 5-2

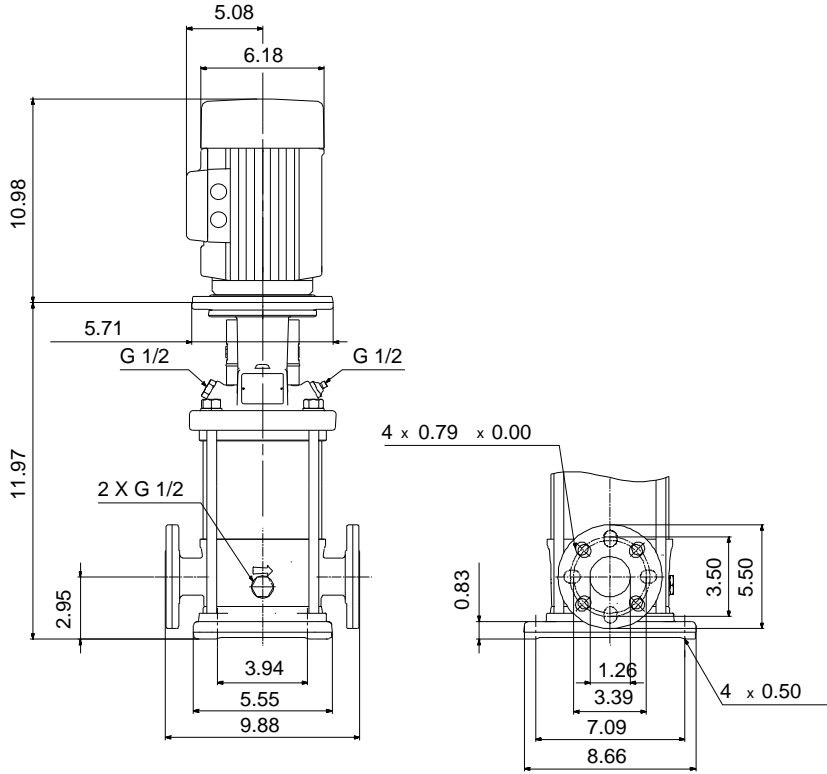


Vertical, multistage centrifugal pump with suction and discharge ports on the same level. The pump head and base are in cast iron. All other wetted parts are in stainless steel (EN 1.4301)(AISI 304)

Product photo could vary from the actual product

Conditions of Service	Pump Data	Motor Data
Flow: _____	Max pressure at stated temperature: 363 psi / 250 °F	Rated power - P2: 0.75 HP
Head: _____	Maximum ambient temperature: 104 °F	Rated voltage: 115/208-230 V
Efficiency: _____	Approvals: CURUS, NSF61	Main frequency: 60 Hz
Liquid: Water	Shaft seal: HQQE	Enclosure class: 54 Dust/Splashing
Temperature: 68 °F	Product number: 96084250	Insulation class: B
NPSH required: ft		Motor protection: NONE
Viscosity: _____		Motor type: BALDOR
Specific Gravity: 1.000		





**Materials:**

- Base: Cast iron  
EN 1561 EN-GJL-200  
ASTM A48-25B
- Impeller: Stainless steel  
AISI 304  
EN 1.4301
- Material code: A
- Code for rubber: E

## Tender Text



Product No.: [96084250](#)

### CR 5-2 A-FGJ-A-E-HQQE

Vertical, non-self-priming, multistage, in-line, centrifugal pump for installation in pipe systems and mounting on a foundation.

The pump has the following characteristics:

- Impellers and intermediate chambers are made of
- The shaft seal has assembly length

according to EN 12756.

- Power transmission is via cast iron split coupling.

The motor is a 1-phase AC motor.

#### Controls:

Frequency converter: NONE

#### Liquid:

Pumped liquid: Water

Liquid temperature during operation: 68 °F

Density: 62.29 lb/ft<sup>3</sup>

#### Technical:

Speed for pump data: 3464 rpm

Pump orientation: Vertical

Shaft seal arrangement: Single

Code for shaft seal: HQQE

Approvals on nameplate: CURUS, NSF61

Curve tolerance: ISO9906:2012 3B

#### Materials:

Base: Cast iron  
EN 1561 EN-GJL-200  
ASTM A48-25B

Impeller: Stainless steel  
EN 1.4301  
AISI 304

Bearing material: SIC

#### Installation:

Maximum ambient temperature: 104 °F

Max pressure at stated temperature: 363 psi / 250 °F  
363 psi / -4 °F

Type of connection: DIN / ANSI / JIS

Size of inlet connection: DN 25/32

Size of suction port: 1 1/4 inch

Size of outlet connection: DN 25/32



Company name:

Created by:

Phone:

Date:

2/20/2018


Size of outlet port: 1 1/4 inch  
Pressure rating: PN 25  
Flange size for motor: 56C  
Flange rating inlet: 250 lb

**Electrical data:**

Motor standard: NEMA  
Motor type: BALDOR  
IE Efficiency class: NA  
Rated power - P2: 0.75 HP  
Power (P2) required by pump: 0.75 HP  
Main frequency: 60 Hz  
Rated voltage: 1 x 115/208-230 V  
Service factor: 1.25  
Rated current: 9,60/5,00-4,80 A  
Rated speed: 3450 rpm  
Number of poles: 2  
Enclosure class (IEC 34-5): 54 Dust/Splashing  
Insulation class (IEC 85): B

**Others:**

Net weight: 65.4 lb  
Gross weight: 76.4 lb  
Shipping volume: 4.94 ft<sup>3</sup>

Position	Count	Description
	1	<p><b>CR 5-2 A-FGJ-A-E-HQQE</b></p>  <p>Product No.: <a href="#">96084250</a> Vertical, non-self-priming, multistage, in-line, centrifugal pump for installation in pipe systems and mounting on a foundation.</p> <p>The pump has the following characteristics:</p> <ul style="list-style-type: none"> <li>- Impellers and intermediate chambers are made of</li> <li>- The shaft seal has assembly length according to EN 12756.</li> <li>- Power transmission is via cast iron split coupling.</li> </ul> <p>The motor is a 1-phase AC motor.</p> <p>Controls: Frequency converter: NONE</p> <p><b>Liquid:</b> Pumped liquid: Water Liquid temperature during operation: 68 °F Density: 62.29 lb/ft<sup>3</sup></p> <p><b>Technical:</b> Speed for pump data: 3464 rpm Pump orientation: Vertical Shaft seal arrangement: Single Code for shaft seal: HQQE Approvals on nameplate: CURUS,NSF61 Curve tolerance: ISO9906:2012 3B</p> <p><b>Materials:</b> Base: Cast iron EN 1561 EN-GJL-200 ASTM A48-25B Impeller: Stainless steel EN 1.4301 AISI 304 Bearing material: SIC</p> <p><b>Installation:</b> Maximum ambient temperature: 104 °F Max pressure at stated temperature: 363 psi / 250 °F 363 psi / -4 °F</p> <p>Type of connection: DIN / ANSI / JIS Size of inlet connection: DN 25/32 Size of suction port: 1 1/4 inch Size of outlet connection: DN 25/32 Size of outlet port: 1 1/4 inch</p>



Company name:

Created by:

Phone:

Date:

2/20/2018

Position	Count	Description
		Pressure rating: PN 25 Flange size for motor: 56C Flange rating inlet: 250 lb
		<b>Electrical data:</b> Motor standard: NEMA Motor type: BALDOR IE Efficiency class: NA Rated power - P2: 0.75 HP Power (P2) required by pump: 0.75 HP Main frequency: 60 Hz Rated voltage: 1 x 115/208-230 V Service factor: 1.25 Rated current: 9,60/5,00-4,80 A Rated speed: 3450 rpm Number of poles: 2 Enclosure class (IEC 34-5): 54 Dust/Splashing Insulation class (IEC 85): B
		<b>Others:</b> Net weight: 65.4 lb Gross weight: 76.4 lb Shipping volume: 4.94 ft <sup>3</sup>



Company name:

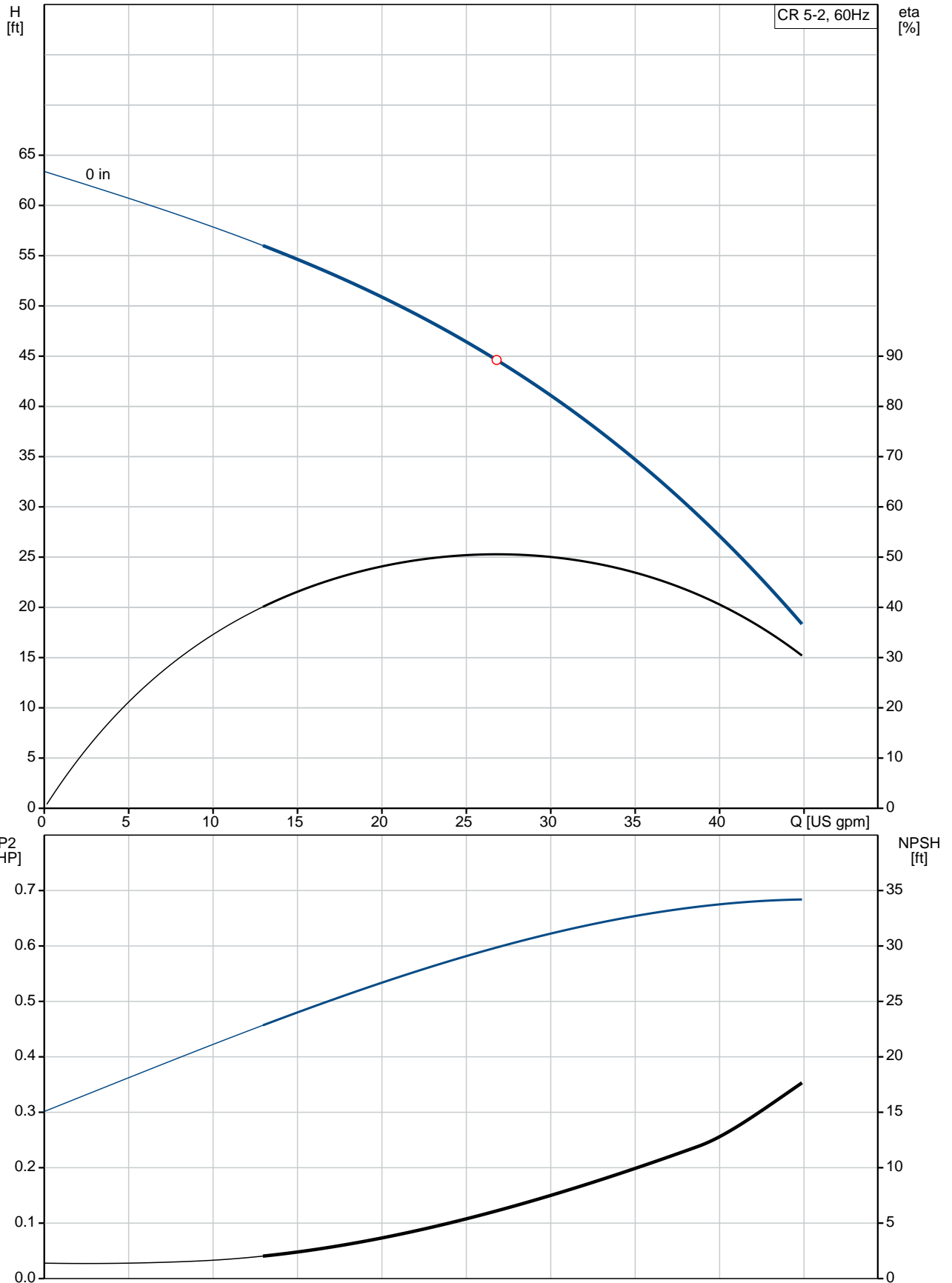
Created by:

Phone:

Date:

2/20/2018

### 96084250 CR 5-2 60 Hz



Description	Value
-------------	-------

**General information:**

Product name: CR 5-2 A-FGJ-A-E-HQQE  
 Product No.: 96084250  
 EAN: 5700395190885

**Technical:**

Speed for pump data: 3464 rpm  
 Stages: 2  
 Impellers: 2  
 Low NPSH: N  
 Pump orientation: Vertical  
 Shaft seal arrangement: Single  
 Code for shaft seal: HQQE  
 Approvals on nameplate: CURUS,NSF61  
 Curve tolerance: ISO9906:2012 3B  
 Pump version: A  
 Model: A  
 Cooling: TEFC

**Materials:**

Base: Cast iron  
 EN 1561 EN-GJL-200  
 ASTM A48-25B  
 Impeller: Stainless steel  
 EN 1.4301  
 AISI 304  
 Material code: A  
 Code for rubber: E  
 Bearing material: SIC

**Installation:**

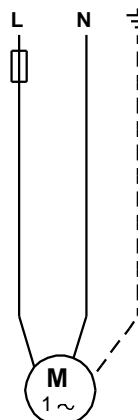
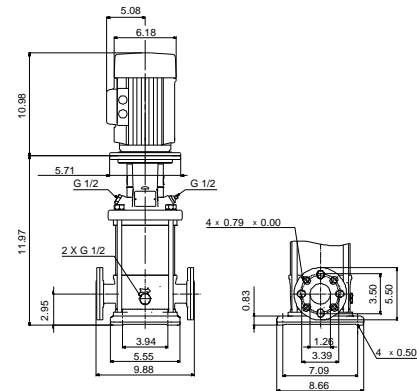
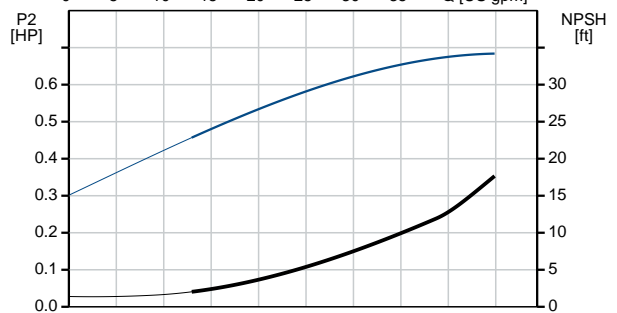
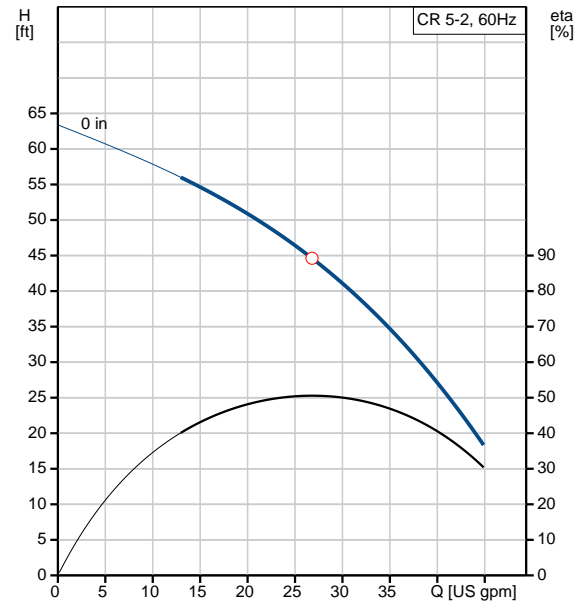
Maximum ambient temperature: 104 °F  
 Max pressure at stated temperature: 363 psi / 250 °F  
 363 psi / -4 °F  
 Type of connection: DIN / ANSI / JIS  
 Connect code: FGJ  
 Size of inlet connection: DN 25/32  
 Size of suction port: 1 1/4 inch  
 Size of outlet connection: DN 25/32  
 Size of outlet port: 1 1/4 inch  
 Pressure rating: PN 25  
 Flange size for motor: 56C  
 Flange rating inlet: 250 lb

**Liquid:**

Pumped liquid: Water  
 Liquid temperature during operation: 68 °F  
 Density: 62.29 lb/ft³

**Electrical data:**

Motor standard: NEMA  
 Motor type: BALDOR  
 IE Efficiency class: NA  
 Rated power - P2: 0.75 HP  
 Power (P2) required by pump: 0.75 HP  
 Main frequency: 60 Hz  
 Rated voltage: 1 x 115/208-230 V  
 Service factor: 1.25  
 Rated current: 9,60/5,00-4,80 A







Company name:

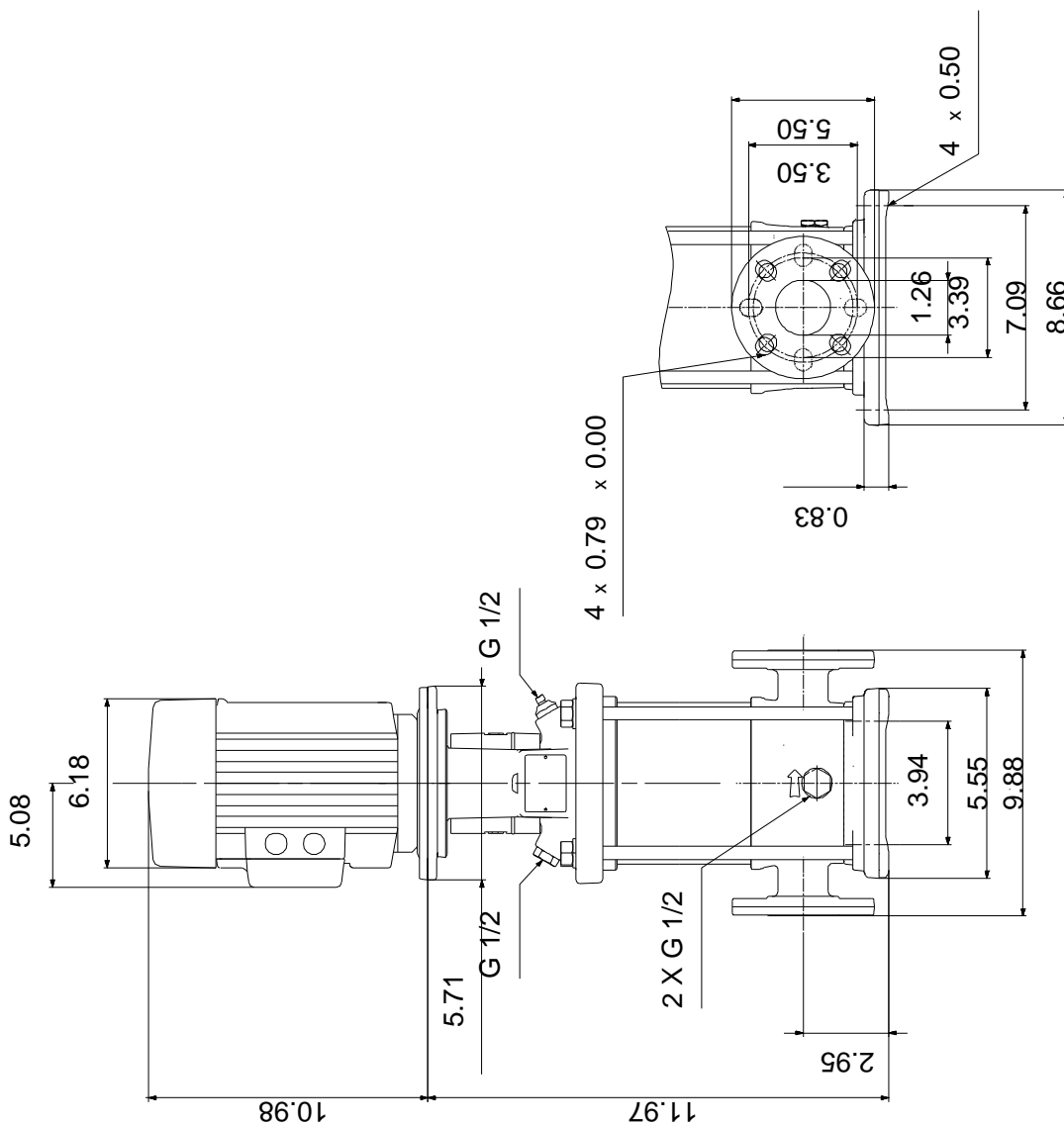
Created by:

Phone:

Date: 2/20/2018

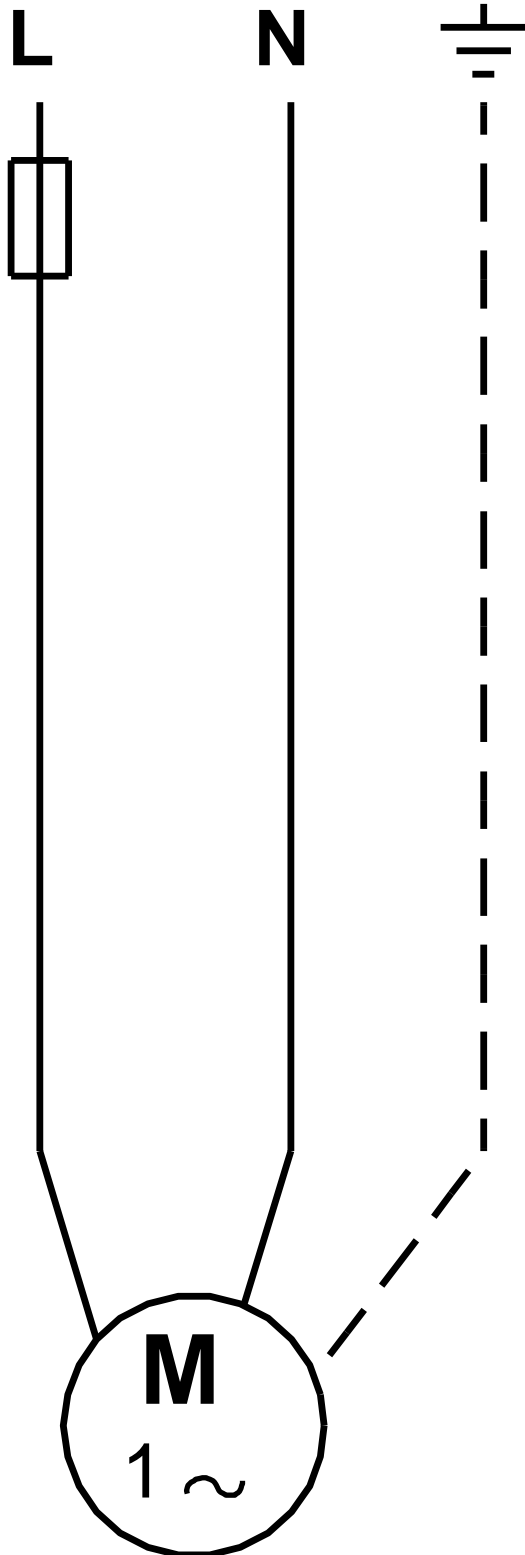
Description	Value
Load current:	11.4/6.0-5.7 A
Rated speed:	3450 rpm
Number of poles:	2
Enclosure class (IEC 34-5):	54 Dust/Splashing
Insulation class (IEC 85):	B
Motor protection:	NONE
Motor Number:	84Z04001
<b>Controls:</b>	
Frequency converter:	NONE
<b>Others:</b>	
Net weight:	65.4 lb
Gross weight:	76.4 lb
Shipping volume:	4.94 ft <sup>3</sup>

## 96084250 CR 5-2 60 Hz



Note! All units are in [mm] unless otherwise stated.  
Disclaimer: This simplified dimensional drawing does not show all details.

96084250 CR 5-2 60 Hz



All units are [mm] unless otherwise presented.



Company name:

Created by:

Phone:

Date: 2/20/2018

---

**Order Data:**

Product name: CR 5-2 A-FGJ-A-E-HQQE

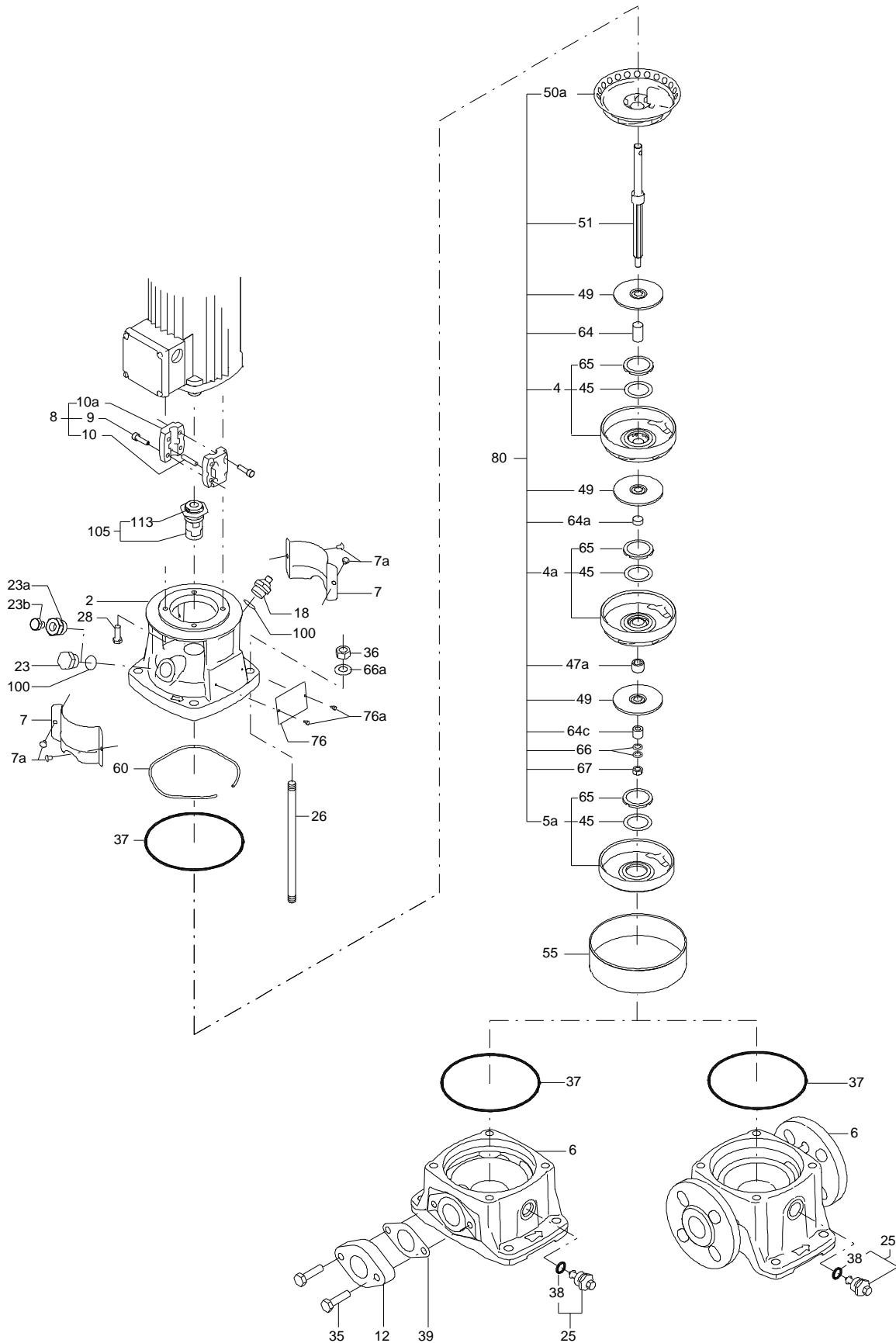
Amount: 1

Product No.: 96084250

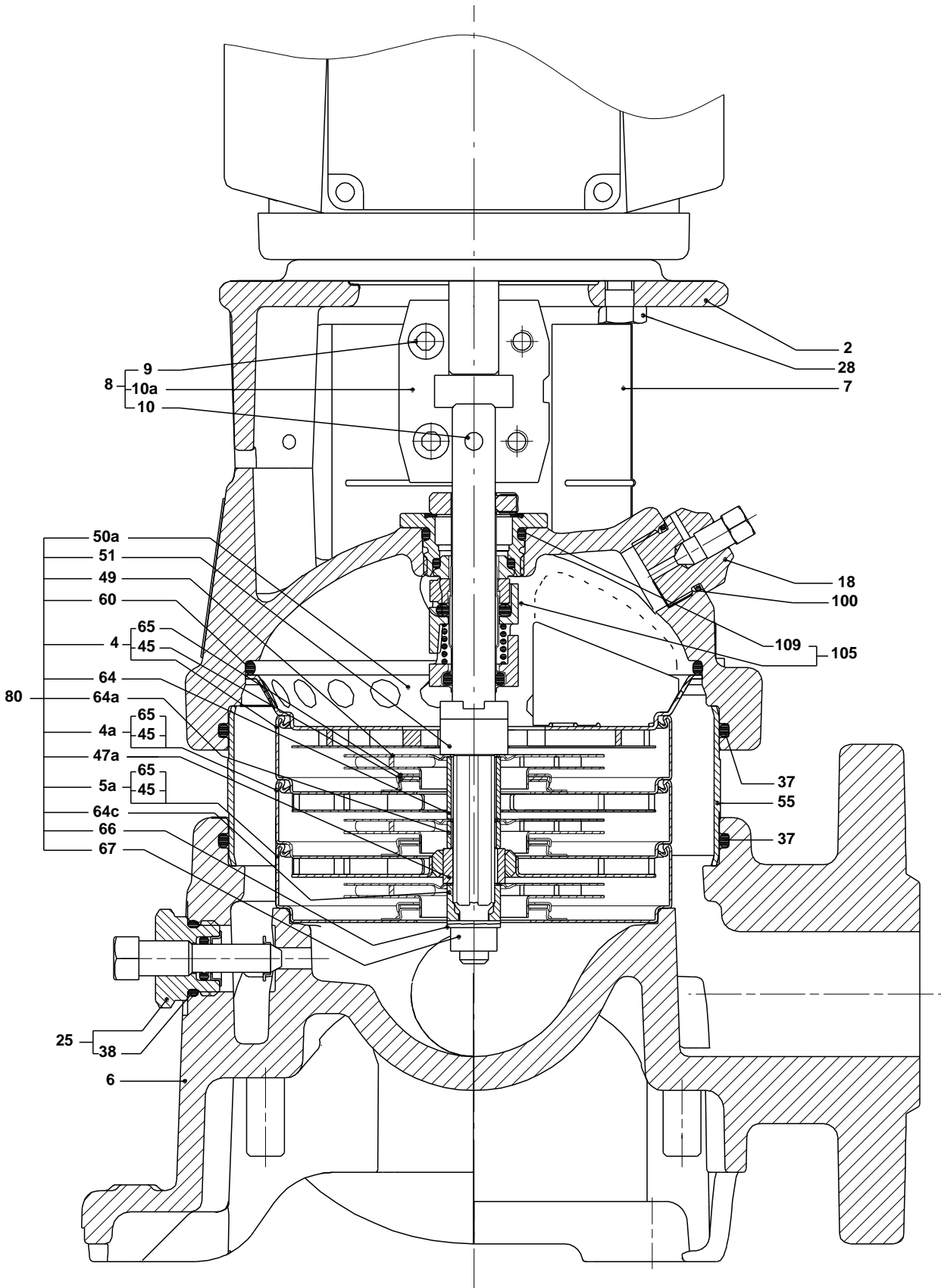
Total: Price on request

---

Exploded view (tm020210 4100)



Sectional drawing (tm020211 4100)



**Parts list CR 5-2, Prod number 96084250**

**Valid from 1.1.2004 (0401)**

Position	Description	Annotation	Classification data	Part No.	Count	Unit
	Motor				1	pcs
-	Base cpl.				1	pcs
6	Base				1	
-	Sealing parts				1	pcs
- 25	Drain plug w/bypass valve				1	
38	O-ring		Diameter: 16,3 Material type: EPDM Thickness: 2,4			
37	O-ring				2	
100	O-ring		Diameter: 16,3 Material type: EPDM Thickness: 2,4		2	
- 2	Pump head cpl.				1	pcs
2	Pump head				1	
7	Coupling guard				2	
7a	Thread cutting screw				4	
- 18	Air vent screw				1	
	Plug					
	Spindle					
- 25	Drain plug				1	
23	Pipe plug					
25	Drain plug					
28	Hex head cap screw		Length: 25 Thread: UNC 3/8"		4	
60	Formed wire spring				1	
+ 8	Coupling cpl.				1	pcs
26	Staybolt		Length: 79 Thread: M12		4	pcs
36a	Washer		Designation: DIN 125 A Inner diameter: 13 Outer diameter: 24 Thickness: 2,5		4	pcs
55	Outer sleeve				1	pcs
66a	Nut		Thread: M12		4	pcs
+ 80	Chamber stack				1	pcs
- 105	Shaft seal		Material type: HQQE		1	pcs
	O-ring				1	
	O-ring				1	
	Seal driver, upper				1	
	Seal driver, lower				1	
	Spacer ring				1	
	Pipe				1	
	Plug				1	
	Plug				1	
	Compression spring				1	
	Socket set screw				1	
102	O-ring		Diameter: 22,00 Material type: EPDM Thickness: 2,75		1	
103	Seal ring, stationary				1	
105	Seal ring, rotating				1	
107	O-ring				1	
113	Driver				1	