

PROJECT: _____	UNIT TAG: _____	QUANTITY: _____
REPRESENTATIVE: _____	TYPE OF SERVICE: _____	DATE: _____
ENGINEER: _____	SUBMITTED BY: _____	DATE: _____
CONTRACTOR: _____	APPROVED BY: _____	DATE: _____
	ORDER NO.: _____	DATE: _____

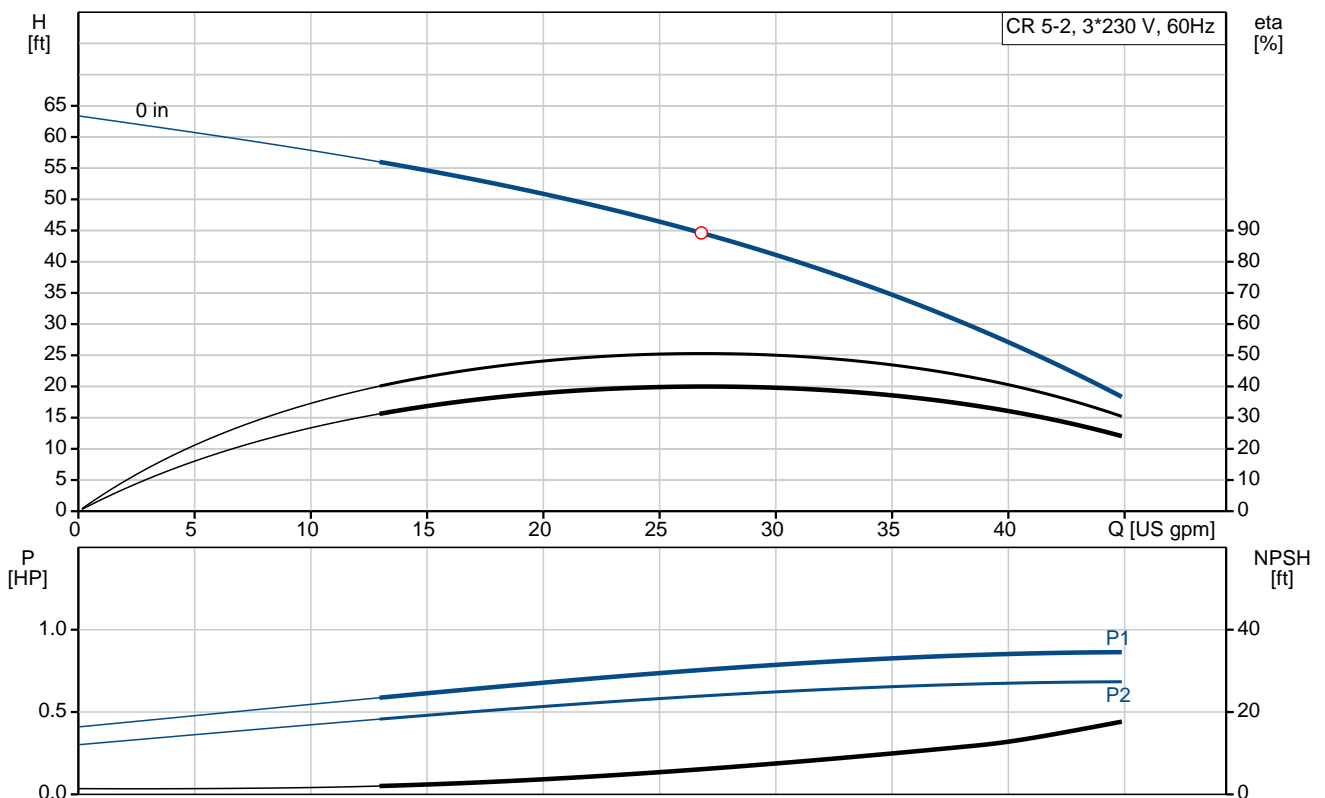
### CR 5-2

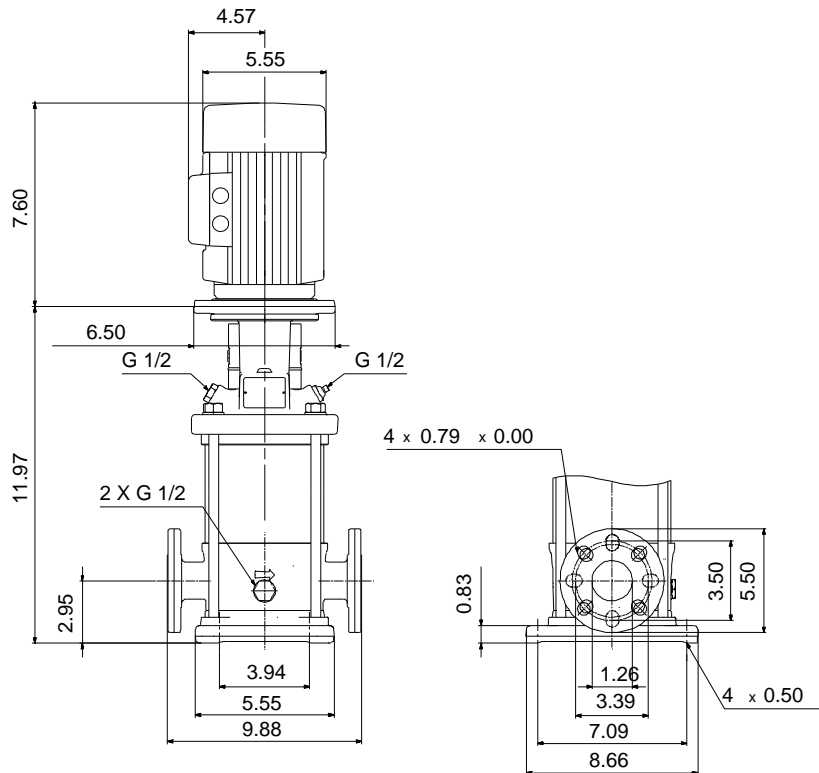
Vertical, multistage centrifugal pump with suction and discharge ports on the same level. The pump head and base are in cast iron. All other wetted parts are in stainless steel (EN 1.4301)(AISI 304)



Product photo could vary from the actual product

Conditions of Service	Pump Data	Motor Data
Flow: _____	Max pressure at stated temperature: 363 psi / 250 °F	Rated power - P2: 0.75 HP
Head: _____	Maximum ambient temperature: 104 °F	Rated voltage: 208-230YY/460Y V
Efficiency: _____	Approvals: CURUS,NSF61	Main frequency: 60 Hz
Liquid: Water	Shaft seal: HQQE	Enclosure class: 55 Dust/Jetting
Temperature: 68 °F	Product number: 96084251	Insulation class: F
NPSH required: ft		Motor protection: NONE
Viscosity: _____		Motor type: 71BA
Specific Gravity: 1.000		Motor_efficiency: 79.0-80.0 %





**Materials:**

Base:	Cast iron EN 1561 EN-GJL-200 ASTM A48-25B
Impeller:	Stainless steel AISI 304 EN 1.4301
Material code:	A
Code for rubber:	E

## Tender Text



Product No.: [96084251](#)

### CR 5-2 A-FGJ-A-E-HQQE

Vertical, non-self-priming, multistage, in-line, centrifugal pump for installation in pipe systems and mounting on a foundation.

The pump has the following characteristics:

- Impellers and intermediate chambers are made of
- The shaft seal has assembly length

according to EN 12756.

- Power transmission is via cast iron split coupling.

The motor is a 3-phase AC motor.

#### Controls:

Frequency converter: NONE

#### Liquid:

Pumped liquid: Water

Liquid temperature during operation: 68 °F

Density: 62.29 lb/ft<sup>3</sup>

#### Technical:

Speed for pump data: 3439 rpm

Pump orientation: Vertical

Shaft seal arrangement: Single

Code for shaft seal: HQQE

Approvals on nameplate: CURUS, NSF61

Curve tolerance: ISO9906:2012 3B

#### Materials:

Base: Cast iron  
EN 1561 EN-GJL-200  
ASTM A48-25B

Impeller: Stainless steel  
EN 1.4301

Bearing material: AISI 304

Bearing material: SIC

#### Installation:

Maximum ambient temperature: 104 °F

Max pressure at stated temperature: 363 psi / 250 °F  
363 psi / -4 °F

Type of connection: DIN / ANSI / JIS

Size of inlet connection: DN 25/32

Size of suction port: 1 1/4 inch

Size of outlet connection: DN 25/32



Company name:

Created by:

Phone:

Date:

2/20/2018


Size of outlet port: 1 1/4 inch  
Pressure rating: PN 25  
Flange size for motor: 56C  
Flange rating inlet: 250 lb

**Electrical data:**

Motor standard: NEMA  
Motor type: 71BA  
IE Efficiency class: NA  
Rated power - P2: 0.75 HP  
Power (P2) required by pump: 0.75 HP  
Main frequency: 60 Hz  
Rated voltage: 3 x 208-230YY/460Y V  
Service factor: 1,25  
Rated current: 2,40-2,30/1,20 A  
Starting current: 590-650 %  
Cos phi - power factor: 0,84-0,78  
Rated speed: 3430-3460 rpm  
Motor efficiency at full load: 79.0-80.0 %  
Number of poles: 2  
Enclosure class (IEC 34-5): 55 Dust/Jetting  
Insulation class (IEC 85): F

**Others:**

Net weight: 56.7 lb  
Gross weight: 67.7 lb  
Shipping volume: 4.94 ft<sup>3</sup>

Position	Count	Description
	1	<p><b>CR 5-2 A-FGJ-A-E-HQQE</b></p>  <p>Product No.: <a href="#">96084251</a> Vertical, non-self-priming, multistage, in-line, centrifugal pump for installation in pipe systems and mounting on a foundation.</p> <p>The pump has the following characteristics:</p> <ul style="list-style-type: none"> <li>- Impellers and intermediate chambers are made of</li> <li>- The shaft seal has assembly length according to EN 12756.</li> <li>- Power transmission is via cast iron split coupling.</li> </ul> <p>The motor is a 3-phase AC motor.</p> <p>Controls: Frequency converter: NONE</p> <p><b>Liquid:</b> Pumped liquid: Water Liquid temperature during operation: 68 °F Density: 62.29 lb/ft<sup>3</sup></p> <p><b>Technical:</b> Speed for pump data: 3439 rpm Pump orientation: Vertical Shaft seal arrangement: Single Code for shaft seal: HQQE Approvals on nameplate: CURUS,NSF61 Curve tolerance: ISO9906:2012 3B</p> <p><b>Materials:</b> Base: Cast iron EN 1561 EN-GJL-200 ASTM A48-25B Impeller: Stainless steel EN 1.4301 AISI 304 Bearing material: SIC</p> <p><b>Installation:</b> Maximum ambient temperature: 104 °F Max pressure at stated temperature: 363 psi / 250 °F 363 psi / -4 °F</p> <p>Type of connection: DIN / ANSI / JIS Size of inlet connection: DN 25/32 Size of suction port: 1 1/4 inch Size of outlet connection: DN 25/32 Size of outlet port: 1 1/4 inch</p>



Company name:

Created by:

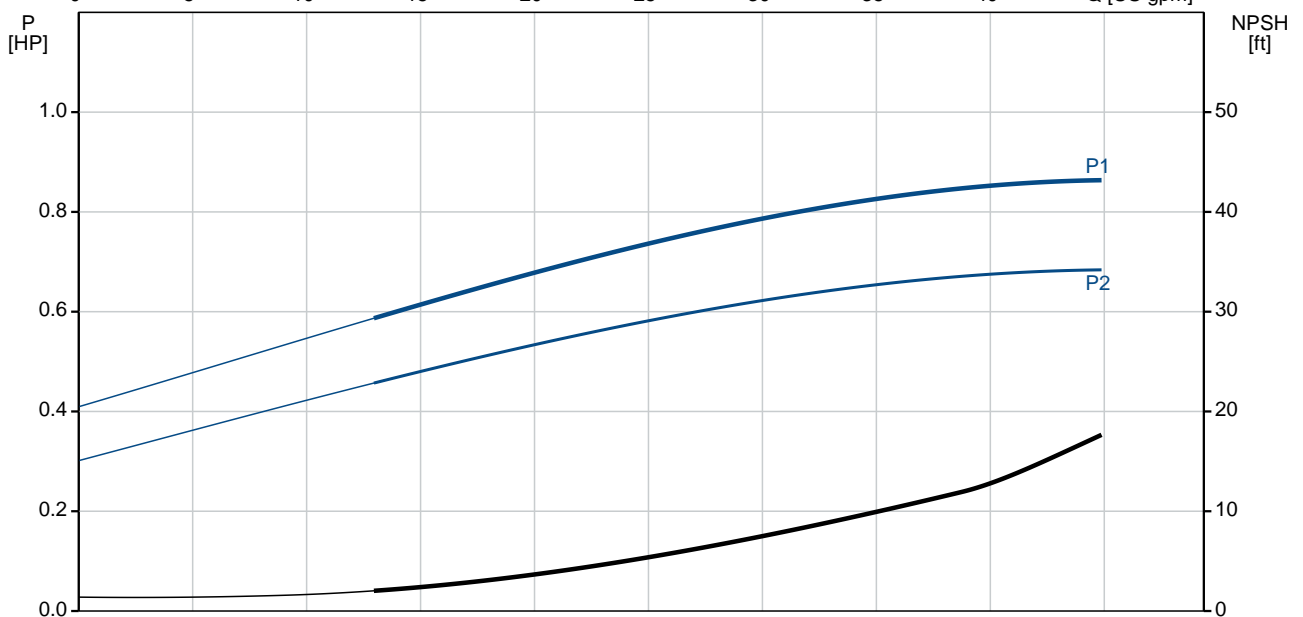
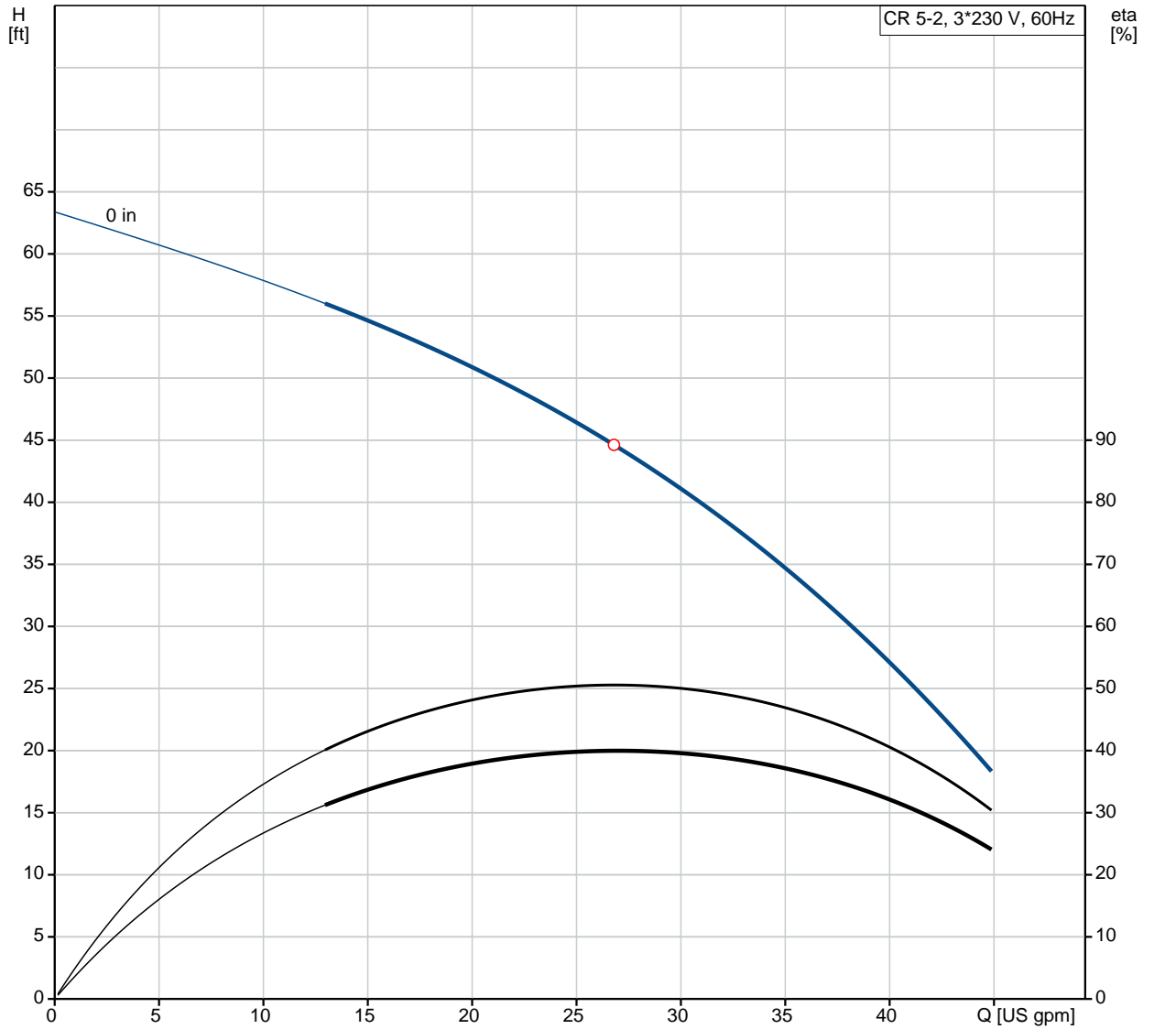
Phone:

Date:

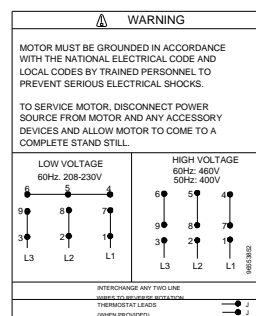
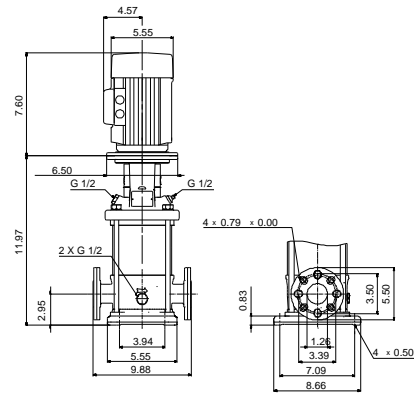
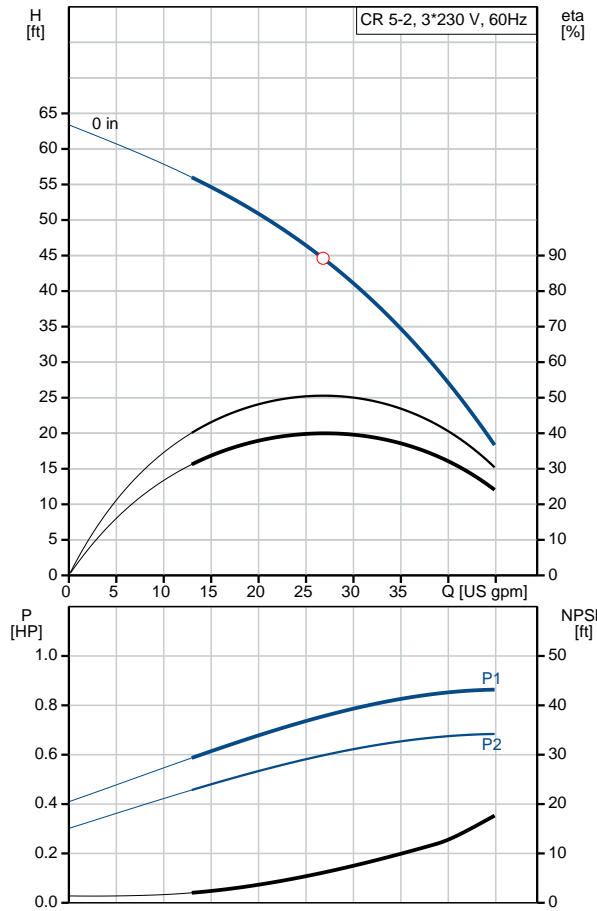
2/20/2018

Position	Count	Description
		Pressure rating: PN 25 Flange size for motor: 56C Flange rating inlet: 250 lb
		<b>Electrical data:</b> Motor standard: NEMA Motor type: 71BA IE Efficiency class: NA Rated power - P2: 0.75 HP Power (P2) required by pump: 0.75 HP Main frequency: 60 Hz Rated voltage: 3 x 208-230YY/460Y V Service factor: 1,25 Rated current: 2,40-2,30/1,20 A Starting current: 590-650 % Cos phi - power factor: 0,84-0,78 Rated speed: 3430-3460 rpm Motor efficiency at full load: 79.0-80.0 % Number of poles: 2 Enclosure class (IEC 34-5): 55 Dust/Jetting Insulation class (IEC 85): F
		<b>Others:</b> Net weight: 56.7 lb Gross weight: 67.7 lb Shipping volume: 4.94 ft <sup>3</sup>

## 96084251 CR 5-2 60 Hz



Description	Value
<b>General information:</b>	
Product name:	CR 5-2 A-FGJ-A-E-HQQE
Product No.:	96084251
EAN:	5700395190892
<b>Technical:</b>	
Speed for pump data:	3439 rpm
Stages:	2
Impellers:	2
Low NPSH:	N
Pump orientation:	Vertical
Shaft seal arrangement:	Single
Code for shaft seal:	HQQE
Approvals on nameplate:	CURUS, NSF61
Curve tolerance:	ISO9906:2012 3B
Pump version:	A
Model:	A
Cooling:	TEFC
<b>Materials:</b>	
Base:	Cast iron EN 1561 EN-GJL-200 ASTM A48-25B
Impeller:	Stainless steel EN 1.4301 AISI 304
Material code:	A
Code for rubber:	E
Bearing material:	SIC
<b>Installation:</b>	
Maximum ambient temperature:	104 °F
Max pressure at stated temperature:	363 psi / 250 °F 363 psi / -4 °F
Type of connection:	DIN / ANSI / JIS
Connect code:	FGJ
Size of inlet connection:	DN 25/32
Size of suction port:	1 1/4 inch
Size of outlet connection:	DN 25/32
Size of outlet port:	1 1/4 inch
Pressure rating:	PN 25
Flange size for motor:	56C
Flange rating inlet:	250 lb
<b>Liquid:</b>	
Pumped liquid:	Water
Liquid temperature during operation:	68 °F
Density:	62.29 lb/ft³
<b>Electrical data:</b>	
Motor standard:	NEMA
Motor type:	71BA
IE Efficiency class:	NA
Rated power - P2:	0.75 HP
Power (P2) required by pump:	0.75 HP
Main frequency:	60 Hz
Rated voltage:	3 x 208-230YY/460Y V
Service factor:	1,25
Rated current:	2,40-2,30/1,20 A







Company name:

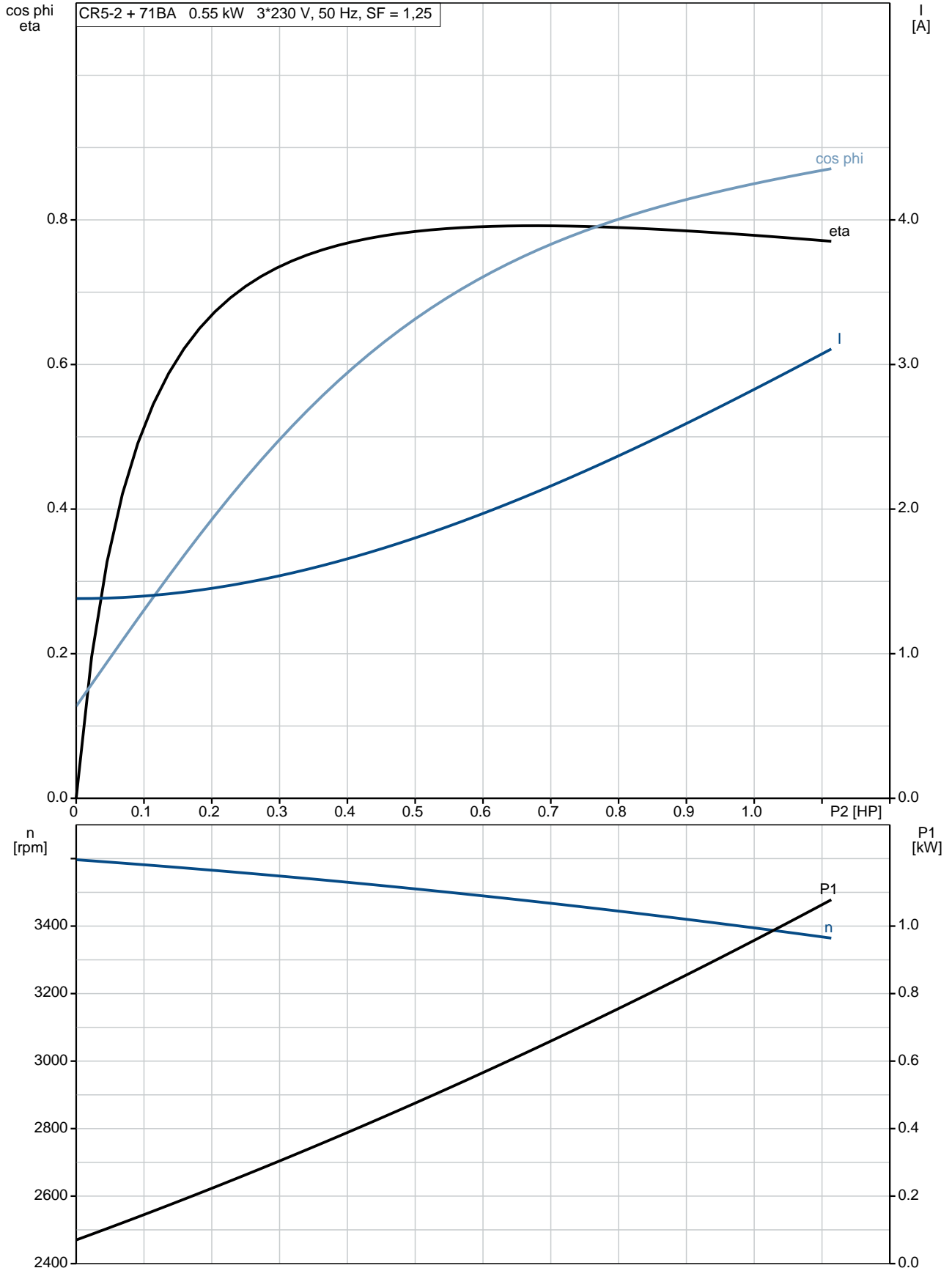
Created by:

Phone:

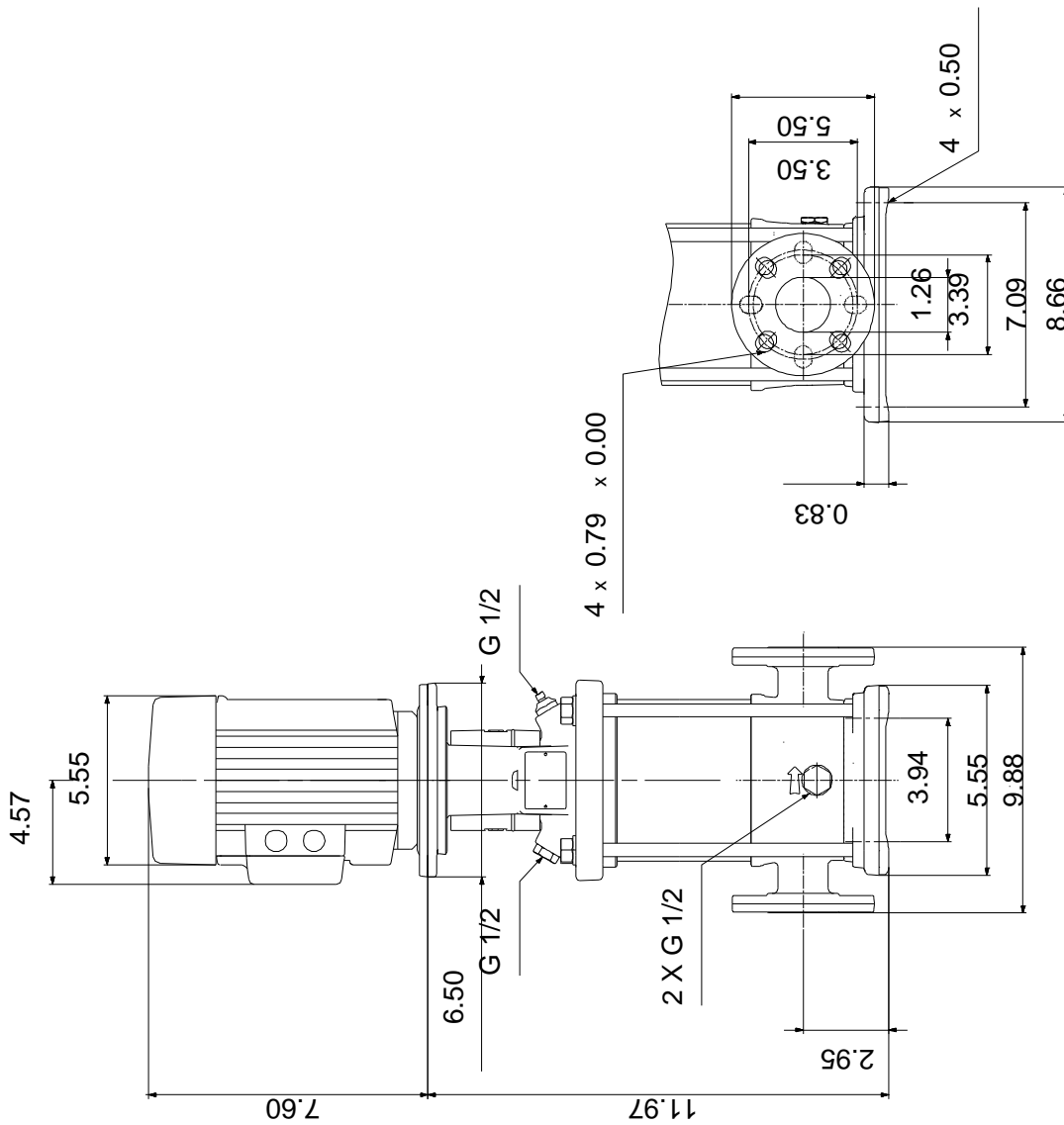
Date: 2/20/2018

Description	Value
Starting current:	590-650 %
Load current:	2,9-2,75/1,4 A
Cos phi - power factor:	0,84-0,78
Rated speed:	3430-3460 rpm
Motor efficiency at full load:	79.0-80.0 %
Number of poles:	2
Enclosure class (IEC 34-5):	55 Dust/Jetting
Insulation class (IEC 85):	F
Motor protection:	NONE
Motor Number:	85900702
<b>Controls:</b>	
Frequency converter:	NONE
<b>Others:</b>	
Net weight:	56.7 lb
Gross weight:	67.7 lb
Shipping volume:	4.94 ft <sup>3</sup>

## 96084251 CR 5-2 60 Hz



## 96084251 CR 5-2 60 Hz



Note! All units are in [mm] unless otherwise stated.  
 Disclaimer: This simplified dimensional drawing does not show all details.

## 96084251 CR 5-2 60 Hz



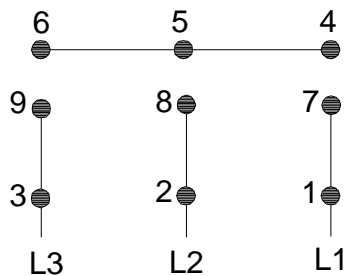
### WARNING

MOTOR MUST BE GROUNDED IN ACCORDANCE WITH THE NATIONAL ELECTRICAL CODE AND LOCAL CODES BY TRAINED PERSONNEL TO PREVENT SERIOUS ELECTRICAL SHOCKS.

TO SERVICE MOTOR, DISCONNECT POWER SOURCE FROM MOTOR AND ANY ACCESSORY DEVICES AND ALLOW MOTOR TO COME TO A COMPLETE STAND STILL.

#### LOW VOLTAGE

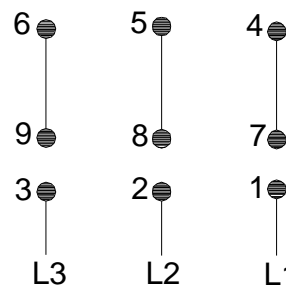
60Hz. 208-230V



#### HIGH VOLTAGE

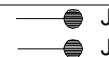
60Hz: 460V

50Hz: 400V



96553852

INTERCHANGE ANY TWO LINE WIRES TO REVERSE ROTATION  
THERMOSTAT LEADS  
(WHEN PROVIDED)





Company name:

Created by:

Phone:

Date: 2/20/2018

---

**Order Data:**

Product name: CR 5-2 A-FGJ-A-E-HQQE

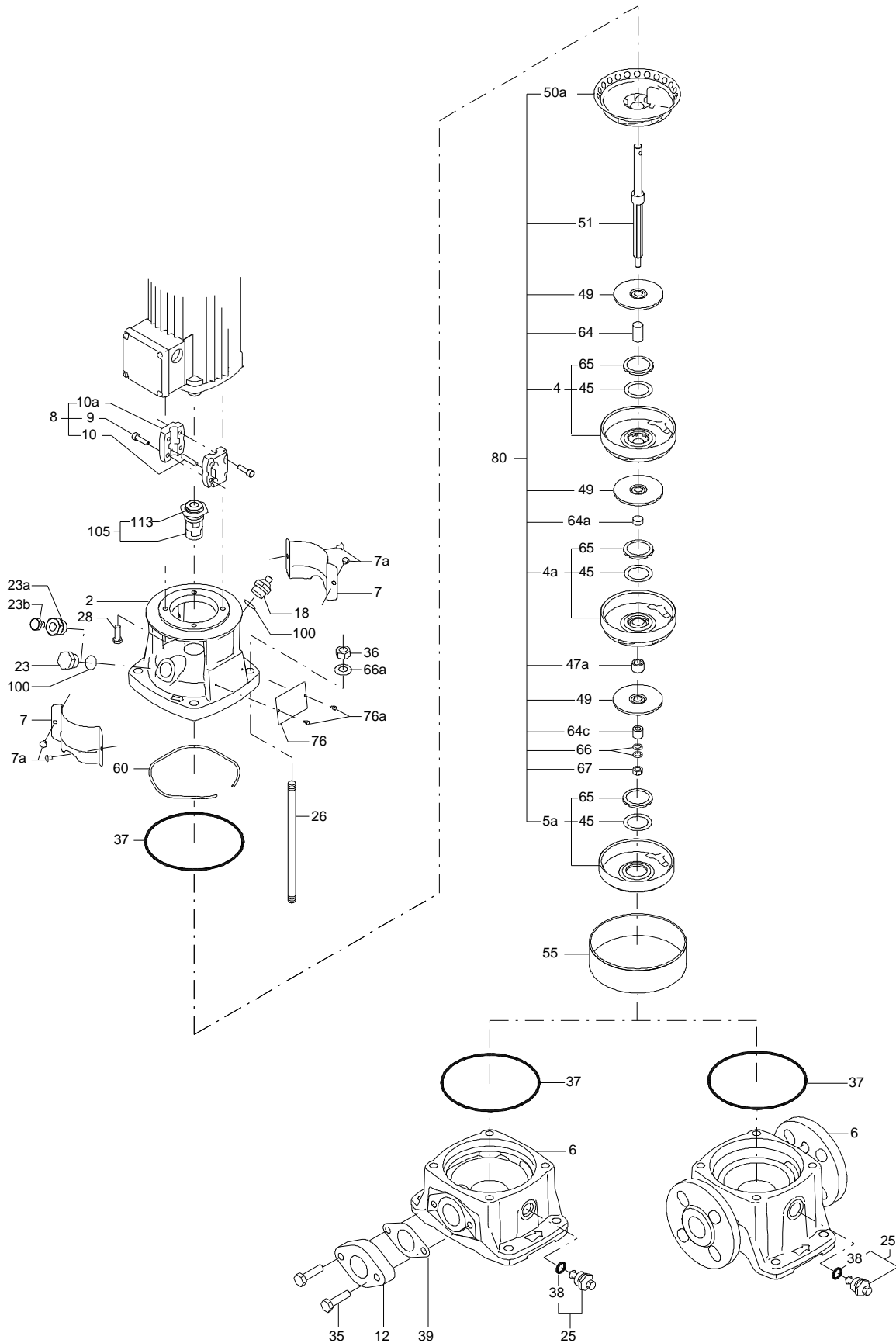
Amount: 1

Product No.: 96084251

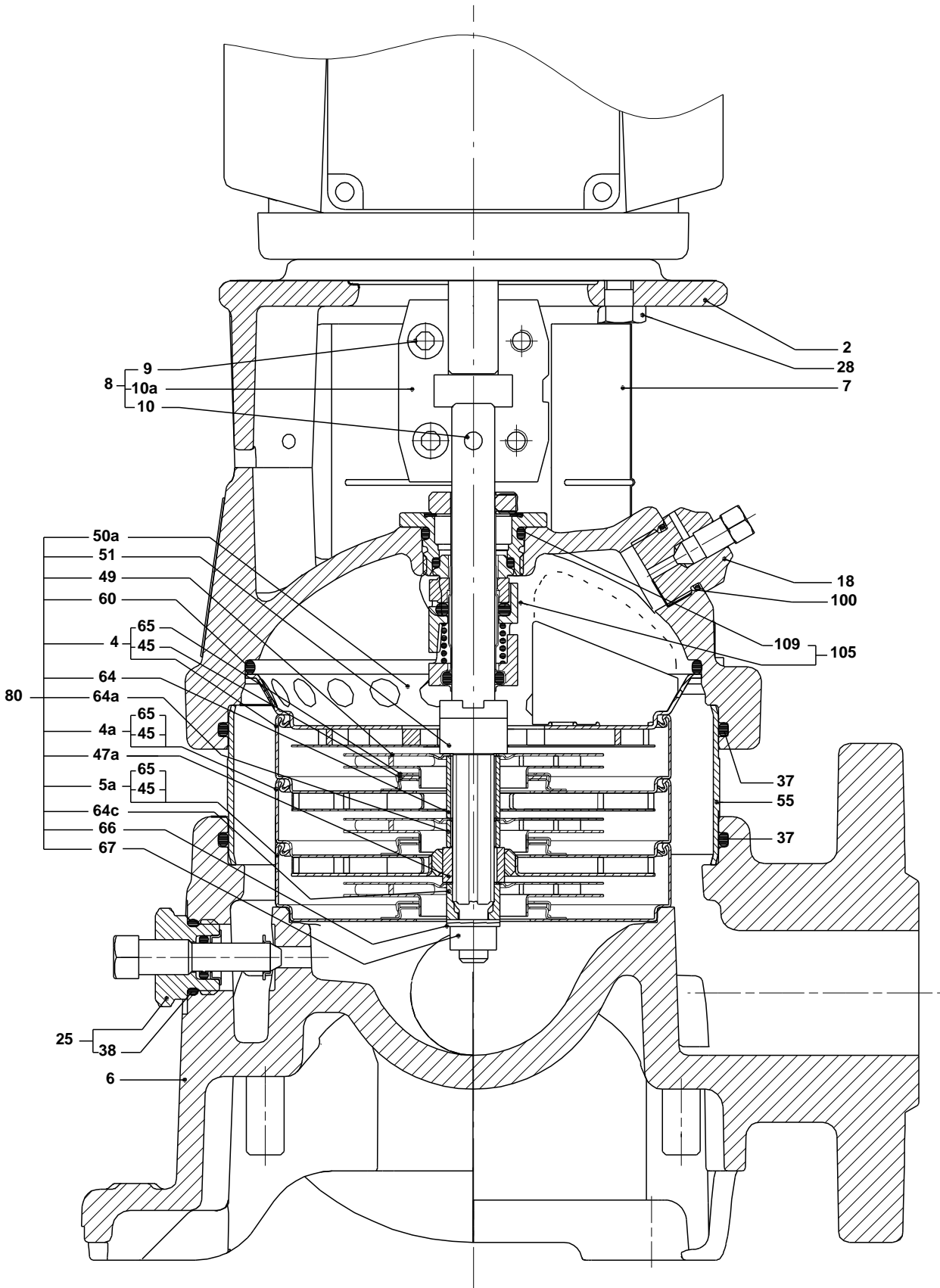
Total: Price on request

---

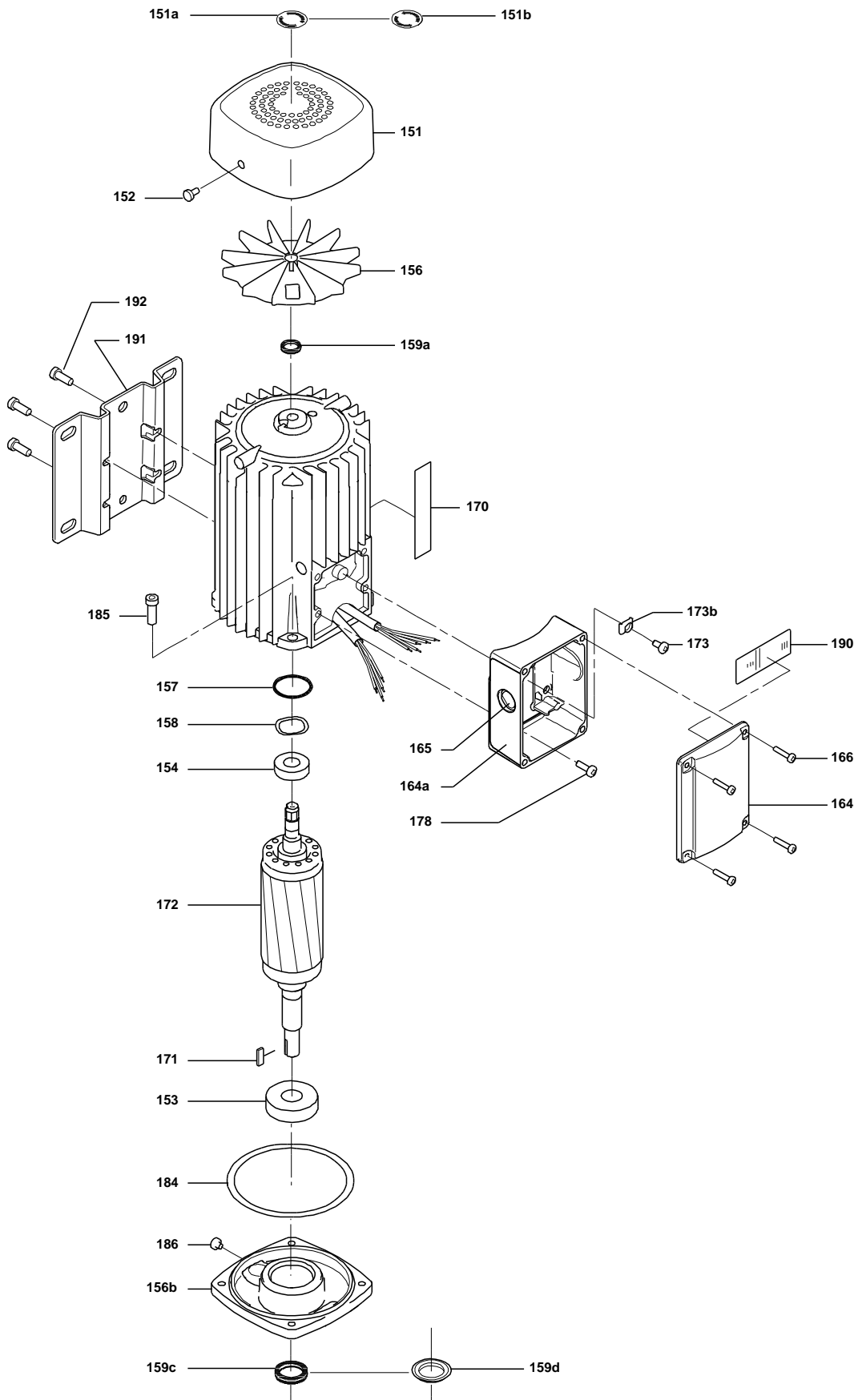
Exploded view (tm020210 4100)



Sectional drawing (tm020211 4100)

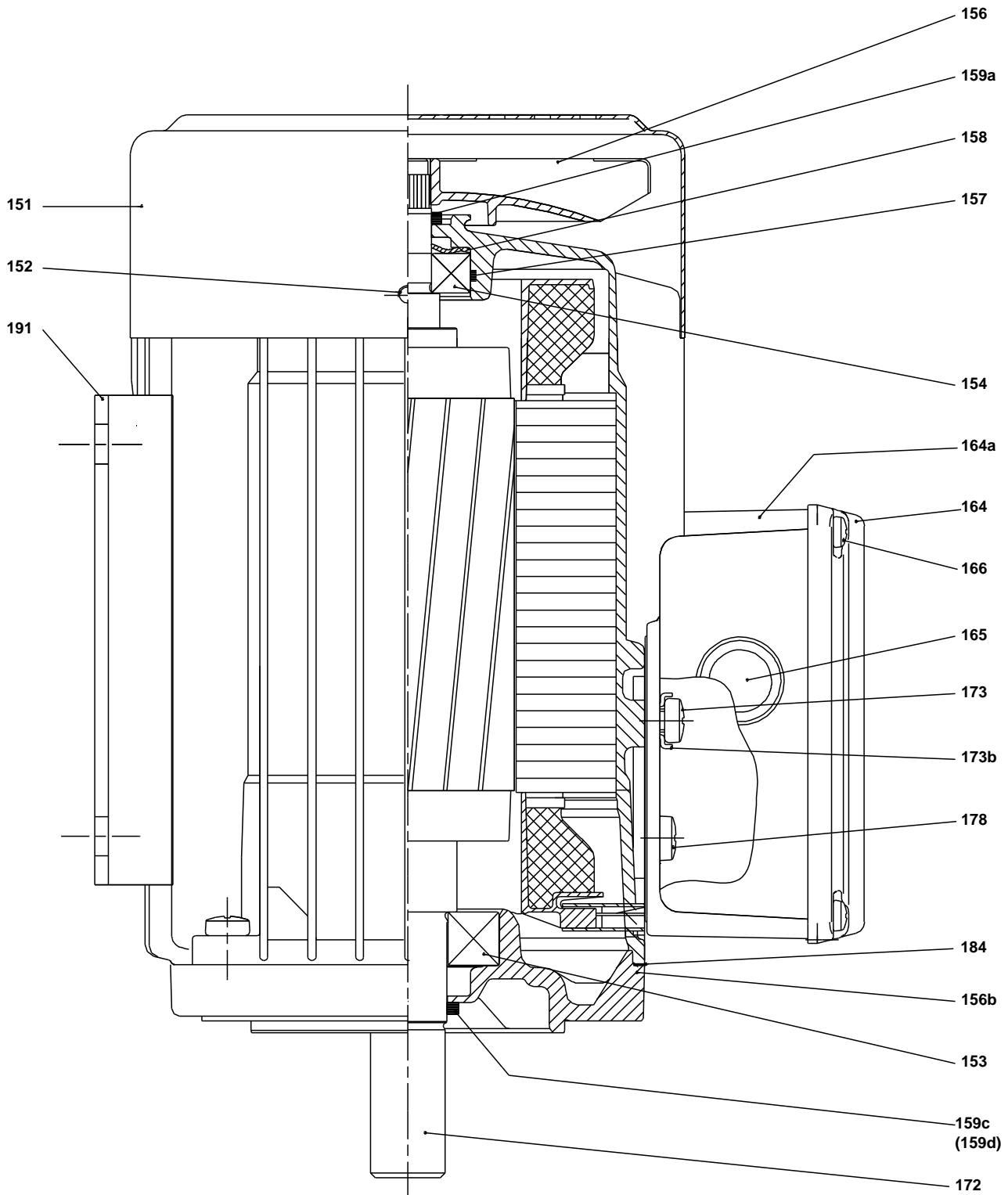


## Exploded view (tm030552)





## Sectional drawing (TM031466)



**Parts list CR 5-2, Prod number 96084251**

**Valid from 10.1.2005 (0503)**

Position	Description	Annotation	Classification data	Part No.	Count	Unit
	Motor				1	pcs
+	Motor				1	pcs
-	Base cpl.				1	pcs
6	Base				1	
-	Sealing parts				1	pcs
- 25	Drain plug w/bypass valve				1	
38	O-ring		Diameter: 16,3			
			Material type: EPDM			
			Thickness: 2,4			
37	O-ring				2	
100	O-ring		Diameter: 16,3		2	
			Material type: EPDM			
			Thickness: 2,4			
- 2	Pump head cpl.				1	pcs
2	Pump head				1	
7	Coupling guard				2	
7a	Thread cutting screw				4	
- 18	Air vent screw				1	
	Plug					
	Spindle					
- 25	Drain plug				1	
23	Pipe plug					
25	Drain plug					
28	Hex head cap screw		Length: 25		4	
			Thread: UNC 3/8"			
60	Formed wire spring				1	
+ 8	Coupling cpl.				1	pcs
26	Staybolt		Length: 79		4	pcs
			Thread: M12			
36a	Washer		Designation: DIN 125 A		4	pcs
			Inner diameter: 13			
			Outer diameter: 24			
			Thickness: 2,5			
55	Outer sleeve				1	pcs
66a	Nut		Thread: M12		4	pcs
+ 80	Chamber stack				1	pcs
- 105	Shaft seal		Material type: HQQE		1	pcs
	O-ring				1	
	O-ring				1	
	Seal driver, upper				1	
	Seal driver, lower				1	
	Spacer ring				1	
	Pipe				1	
	Plug				1	
	Plug				1	
	Compression spring				1	
	Socket set screw				1	
102	O-ring		Diameter: 22,00		1	
			Material type: EPDM			
			Thickness: 2,75			
103	Seal ring, stationary				1	
105	Seal ring, rotating				1	
107	O-ring				1	



Company name:

Created by:

Phone:

Date: 2/20/2018

Position	Description	Annotation	Classification data	Part No.	Count	Unit
113	Driver				1	