

PROJECT: _____	UNIT TAG: _____	QUANTITY: _____
REPRESENTATIVE: _____	TYPE OF SERVICE: _____	DATE: _____
ENGINEER: _____	SUBMITTED BY: _____	DATE: _____
CONTRACTOR: _____	APPROVED BY: _____	DATE: _____
	ORDER NO.: _____	DATE: _____

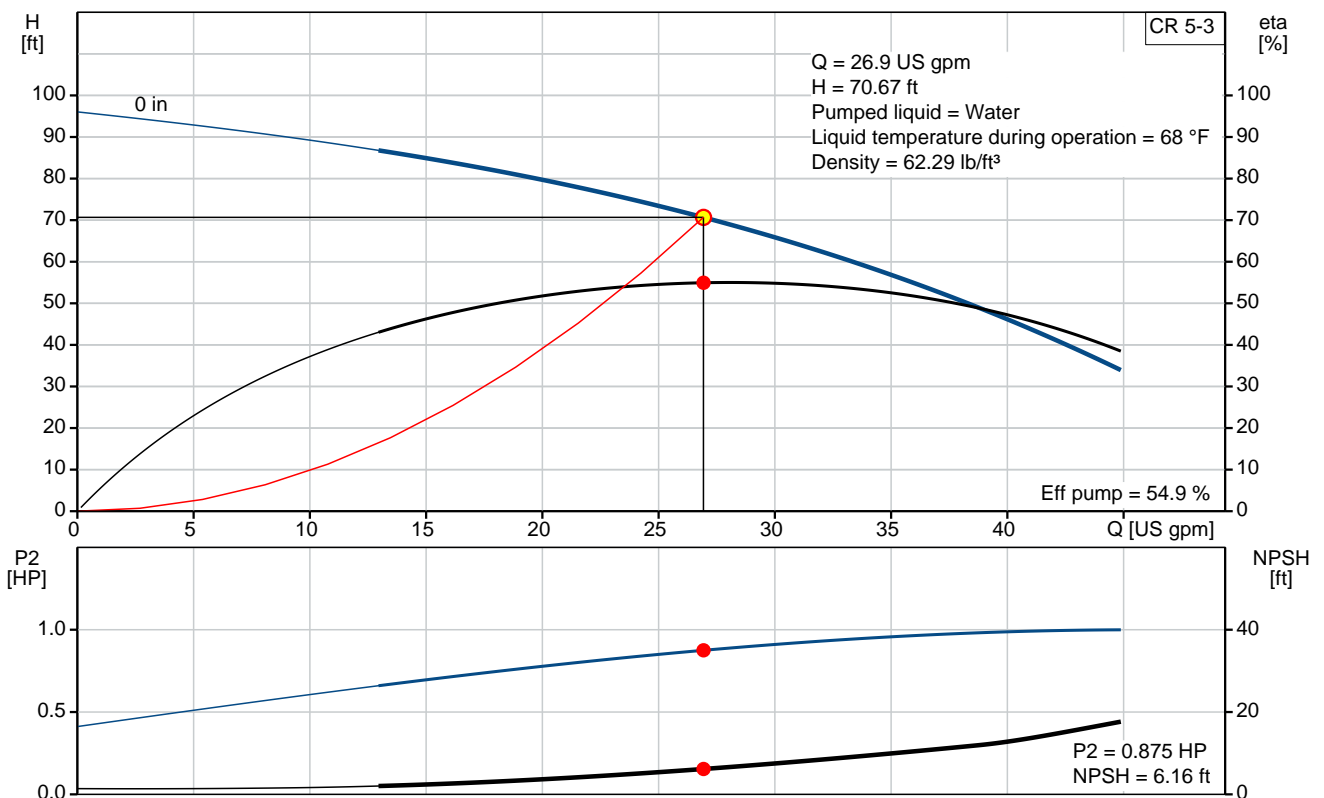
CR 5-3

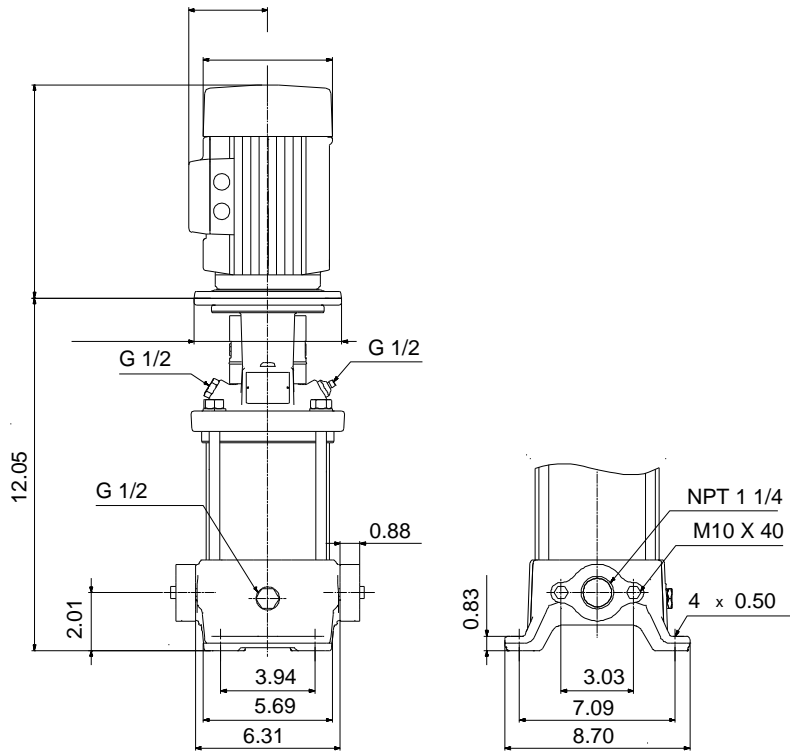


Vertical, multistage centrifugal pump with suction and discharge ports on the same level. The pump head and base are in cast iron. All other wetted parts are in stainless steel (EN 1.4301)(AISI 304)

Product photo could vary from the actual product

Conditions of Service		Pump Data		Motor Data	
Flow:	26.9 US gpm	Max pressure at stated temperature:	232 psi / 250 °F	Main frequency:	60 Hz
Head:	70.67 ft	Approvals:	NSF61		
Efficiency:	_____	Shaft seal:	HQQE		
Liquid:	Water	Product number:	96084082		
Temperature:	68 °F				
NPSH required:	6.16 ft				
Viscosity:	_____				
Specific Gravity:	1.000				





Materials:

- Base: Cast iron
EN 1561 EN-GJL-200
ASTM A48-25B
- Impeller: Stainless steel
AISI 304
EN 1.4301
- Material code: A
- Code for rubber: E

Tender Text



Product photo could vary from the actual product

Product No.: [96084082](#)

CR 5-3 A-B-A-E-HQQE

Vertical, non-self-priming, multistage, in-line, centrifugal pump for installation in pipe systems and mounting on a foundation.

The pump has the following characteristics:

- Impellers and intermediate chambers are made of
- The shaft seal has assembly length according to EN 12756.
- Power transmission is via cast iron split coupling.

Controls:

Frequency converter: NONE

Liquid:

Pumped liquid: Water
Liquid temperature during operation: 68 °F
Density: 62.29 lb/ft³

Technical:

Speed for pump data: 3484 rpm
Actual calculated flow: 26.9 US gpm
Resulting head of the pump: 70.67 ft
Pump orientation: Vertical
Shaft seal arrangement: Single
Code for shaft seal: HQQE
Approvals on nameplate: NSF61
Curve tolerance: ISO9906:2012 3B

Materials:

Base: Cast iron
EN 1561 EN-GJL-200
ASTM A48-25B
Impeller: Stainless steel
EN 1.4301
AISI 304
Bearing material: SIC

Installation:

Max pressure at stated temperature: 232 psi / 250 °F



Company name:

Created by:

Phone:

Date:

2/20/2018

Type of connection: 232 psi / -4 °F
Oval / NPT(F)
Size of suction port: 1 1/4 inch
Size of outlet port: 1 1/4 inch
Pressure rating: PN 16
Flange size for motor: 56C

Electrical data:

Motor standard: NEMA
Power (P2) required by pump: 1 HP

Others:

Net weight: 31.2 lb
Gross weight: 42.2 lb
Shipping volume: 4.94 ft³



Company name:

Created by:

Phone:

Date:

2/20/2018

Position	Count	Description
		Size of suction port: 1 1/4 inch
		Size of outlet port: 1 1/4 inch
		Pressure rating: PN 16
		Flange size for motor: 56C
		Electrical data:
		Motor standard: NEMA
		Power (P2) required by pump: 1 HP
		Others:
		Net weight: 31.2 lb
		Gross weight: 42.2 lb
		Shipping volume: 4.94 ft ³



Company name:

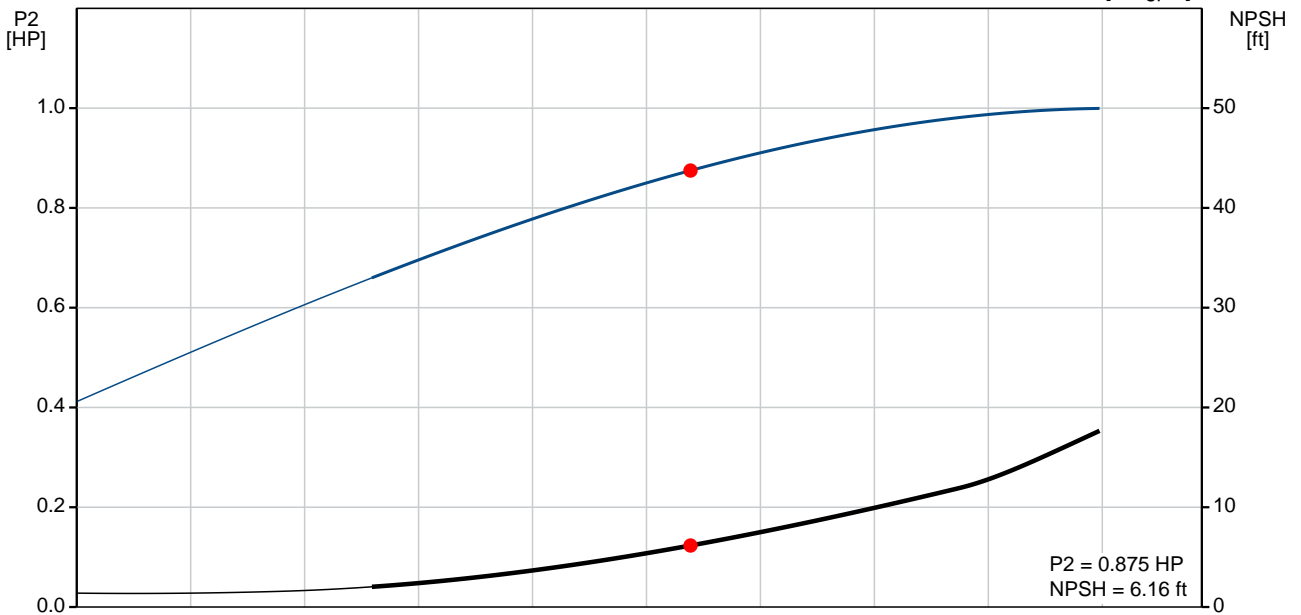
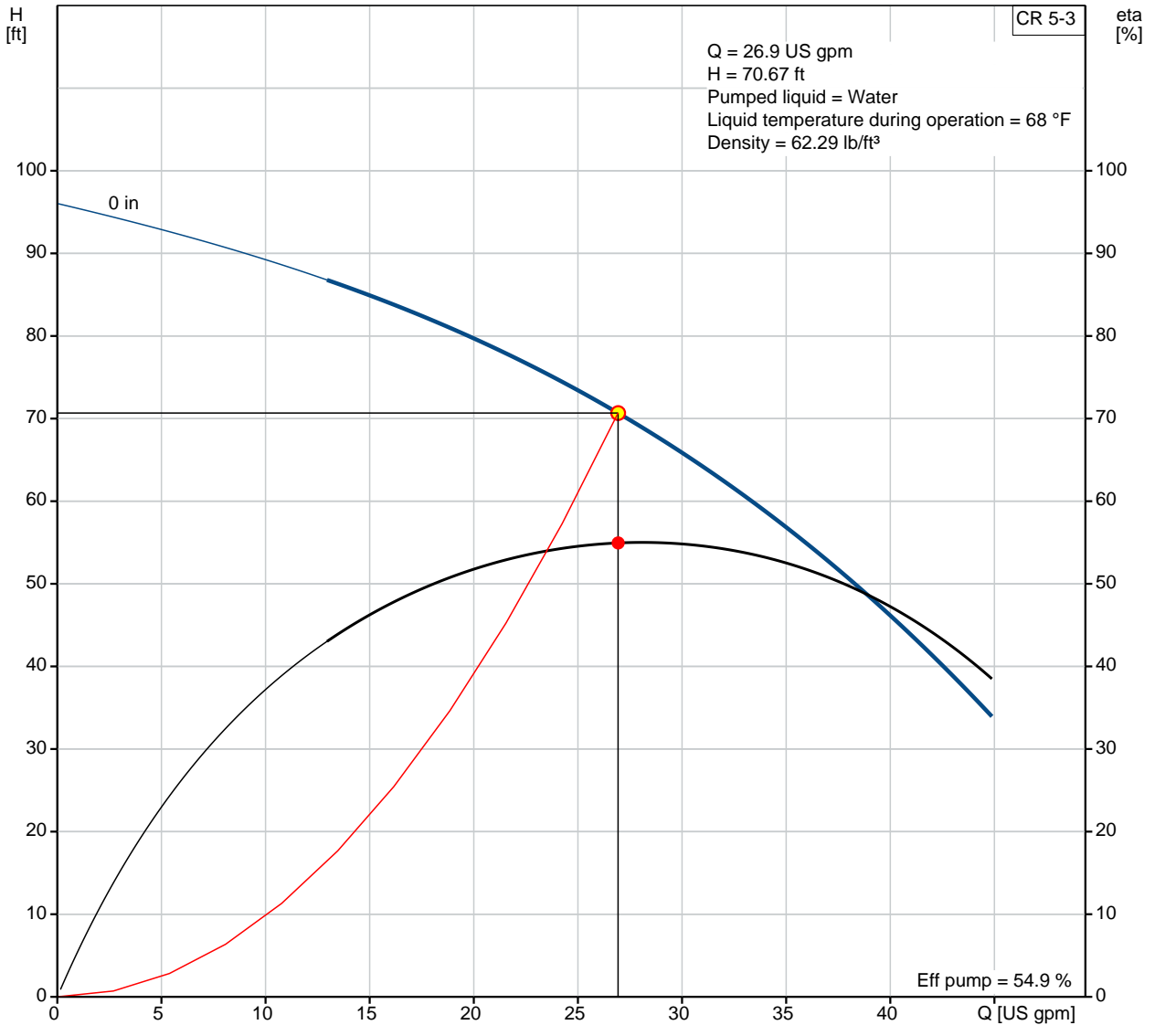
Created by:

Phone:

Date:

2/20/2018

96084082 CR 5-3 60 Hz



Description	Value
General information:	
Product name:	CR 5-3 A-B-A-E-HQQE
Product No.:	96084082
EAN:	5700395189209
Technical:	
Speed for pump data:	3484 rpm
Actual calculated flow:	26.9 US gpm
Resulting head of the pump:	70.67 ft
Stages:	3
Impellers:	3
Low NPSH:	N
Pump orientation:	Vertical
Shaft seal arrangement:	Single
Code for shaft seal:	HQQE
Approvals on nameplate:	NSF61
Curve tolerance:	ISO9906:2012 3B
Pump version:	A
Model:	A

Materials:	
Base:	Cast iron EN 1561 EN-GJL-200 ASTM A48-25B
Impeller:	Stainless steel EN 1.4301 AISI 304
Material code:	A
Code for rubber:	E
Bearing material:	SIC

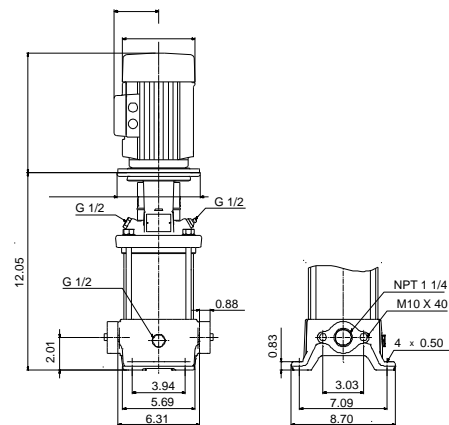
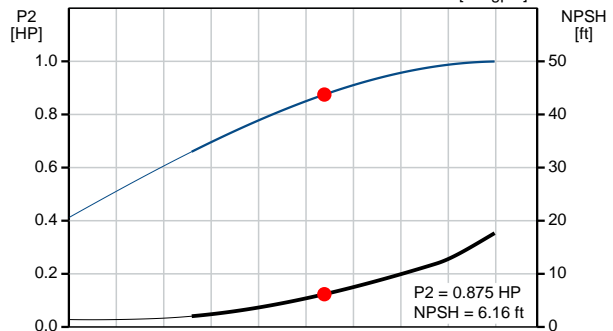
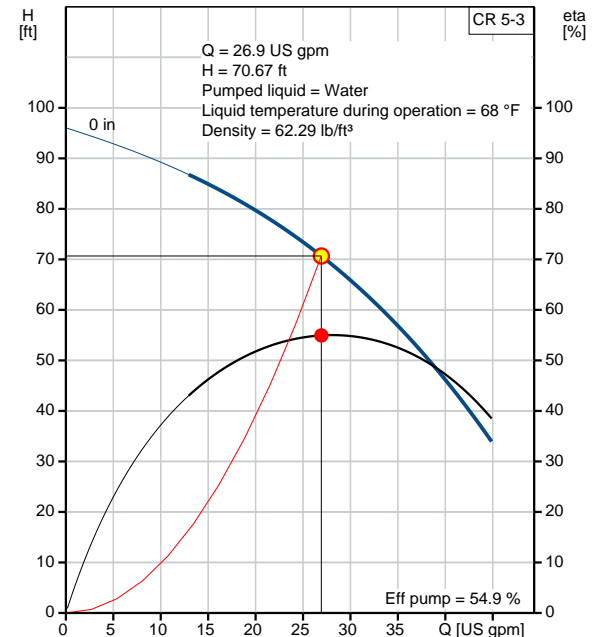
Installation:	
Max pressure at stated temperature:	232 psi / 250 °F 232 psi / -4 °F
Type of connection:	Oval / NPT(F)
Connect code:	B
Size of suction port:	1 1/4 inch
Size of outlet port:	1 1/4 inch
Pressure rating:	PN 16
Flange size for motor:	56C

Liquid:	
Pumped liquid:	Water
Liquid temperature during operation:	68 °F
Density:	62.29 lb/ft³

Electrical data:	
Motor standard:	NEMA
Power (P2) required by pump:	1 HP

Controls:	
Frequency converter:	NONE

Others:	
Net weight:	31.2 lb
Gross weight:	42.2 lb
Shipping volume:	4.94 ft³





Company name:

Created by:

Phone:

Date:

2/20/2018

Order Data:

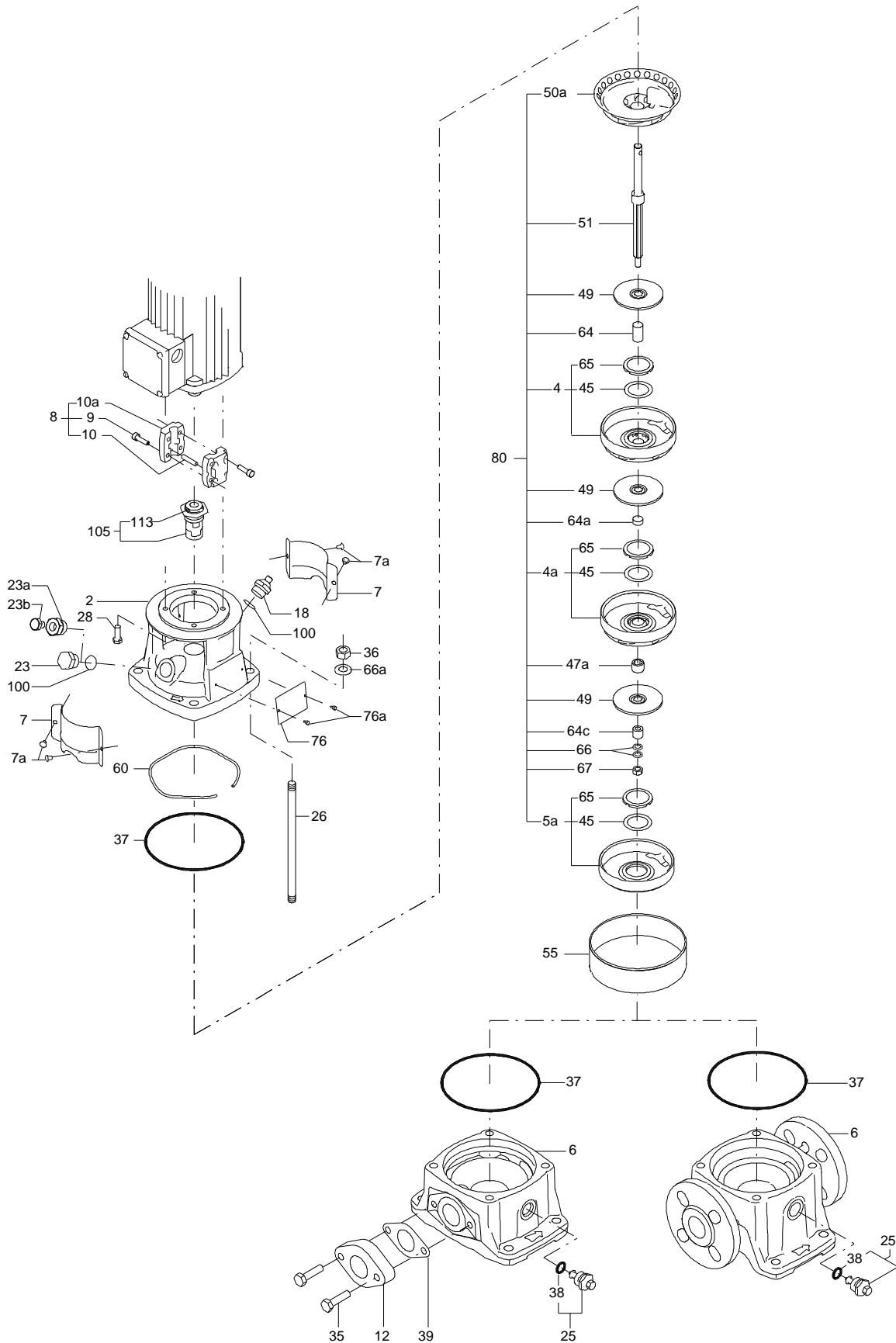
Product name: CR 5-3 A-B-A-E-HQQE

Amount: 1

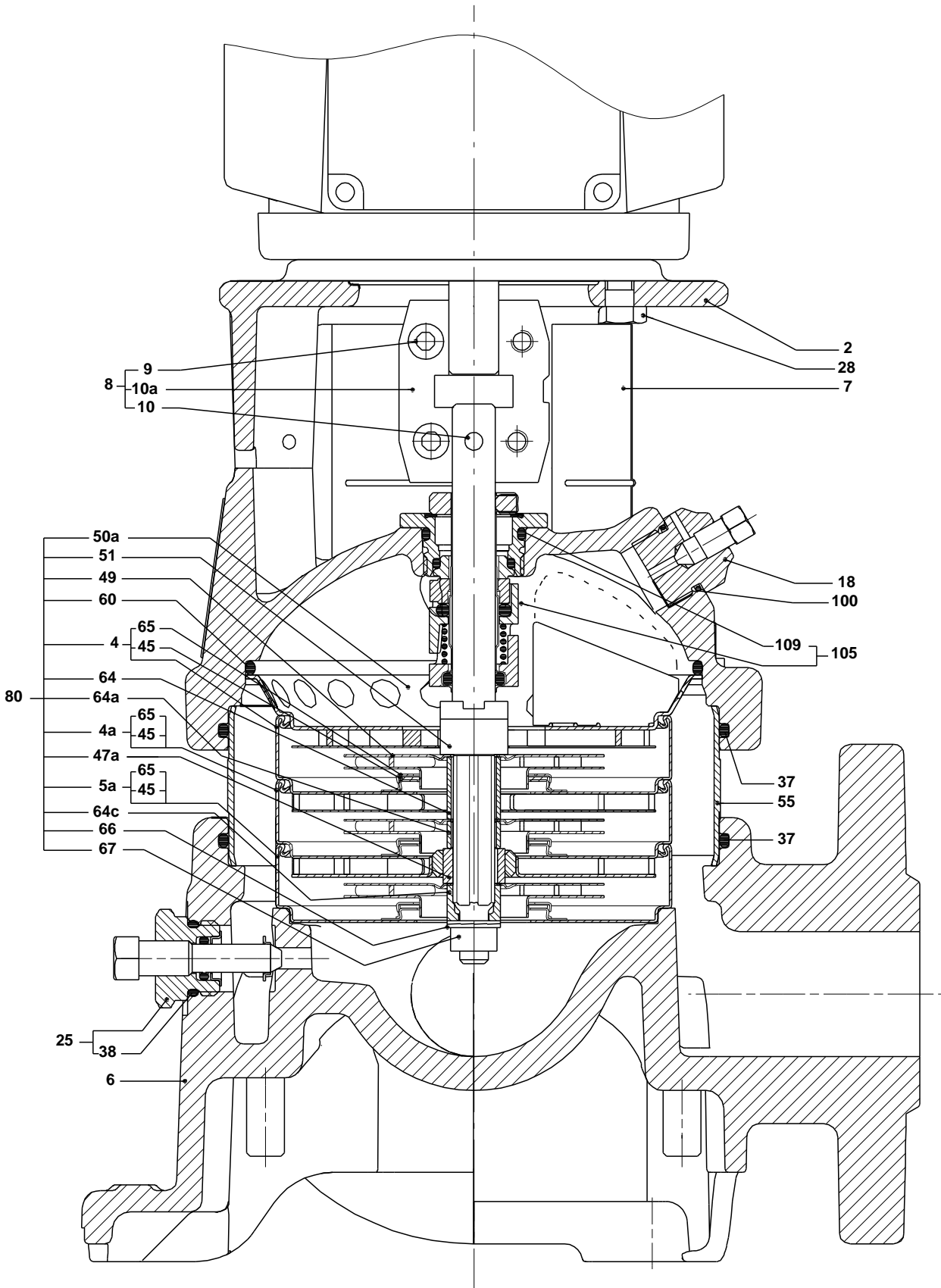
Product No.: 96084082

Total: Price on request

Exploded view (tm020210 4100)



Sectional drawing (tm020211 4100)



TM020211

Parts list CR 5-3, Prod number 96084082

Valid from 1.1.2004 (0401)

Position	Description	Annotation	Classification data	Part No.	Count	Unit
-	Base cpl.				1	pcs
6	Base				1	
12	Flange				2	
35	Hex head screw		Length: 40 Thread: M10		4	
39	Gasket				2	
-	Sealing parts				1	pcs
- 25	Drain plug w/bypass valve				1	
38	O-ring		Diameter: 16,3 Material type: EPDM Thickness: 2,4			
37	O-ring				2	
100	O-ring		Diameter: 16,3 Material type: EPDM Thickness: 2,4		2	
- 2	Pump head cpl.				1	pcs
2	Pump head				1	
7	Coupling guard				2	
7a	Thread cutting screw				4	
- 18	Air vent screw				1	
	Plug					
	Spindle					
- 25	Drain plug				1	
23	Pipe plug					
25	Drain plug					
28	Hex head cap screw		Length: 25 Thread: UNC 3/8"		4	
60	Formed wire spring				1	
+ 8	Coupling cpl.				1	pcs
26	Staybolt		Length: 103 Thread: M12		4	pcs
36a	Washer		Designation: DIN 125 A Inner diameter: 13 Outer diameter: 24 Thickness: 2,5		4	pcs
55	Outer sleeve				1	pcs
66a	Nut		Thread: M12		4	pcs
+ 80	Chamber stack				1	pcs
- 105	Shaft seal		Material type: HQQE		1	pcs
	O-ring				1	
	O-ring				1	
	Seal driver, upper				1	
	Seal driver, lower				1	
	Spacer ring				1	
	Pipe				1	
	Plug				1	
	Plug				1	
	Compression spring				1	
	Socket set screw				1	
102	O-ring		Diameter: 22,00 Material type: EPDM Thickness: 2,75		1	
103	Seal ring, stationary				1	



Company name:

Created by:

Phone:

Date: 2/20/2018

Position	Description	Annotation	Classification data	Part No.	Count	Unit
105	Seal ring, rotating				1	
107	O-ring				1	
113	Driver				1	