

| | | |
|-----------------------|------------------------|-----------------|
| PROJECT: _____ | UNIT TAG: _____ | QUANTITY: _____ |
| REPRESENTATIVE: _____ | TYPE OF SERVICE: _____ | DATE: _____ |
| ENGINEER: _____ | SUBMITTED BY: _____ | DATE: _____ |
| CONTRACTOR: _____ | APPROVED BY: _____ | DATE: _____ |
| | ORDER NO.: _____ | DATE: _____ |

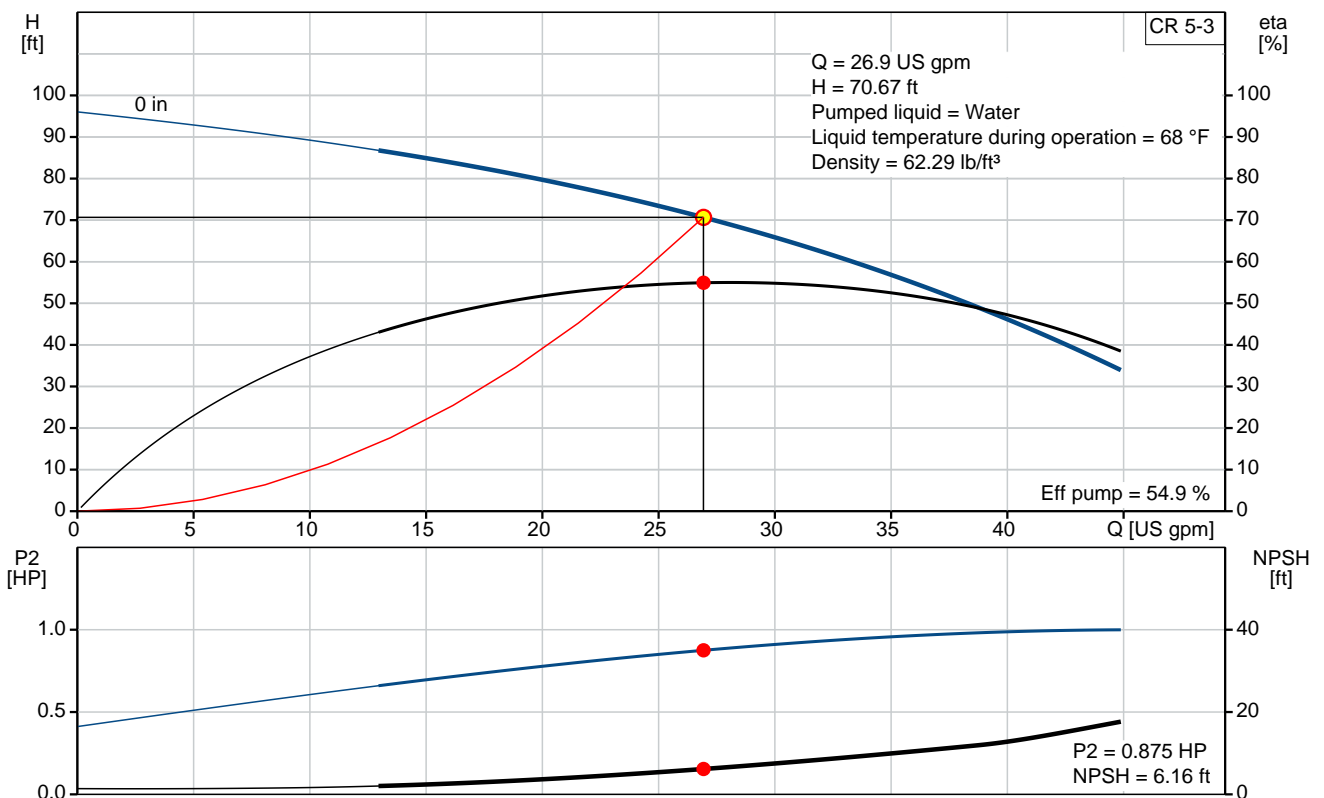
CR 5-3

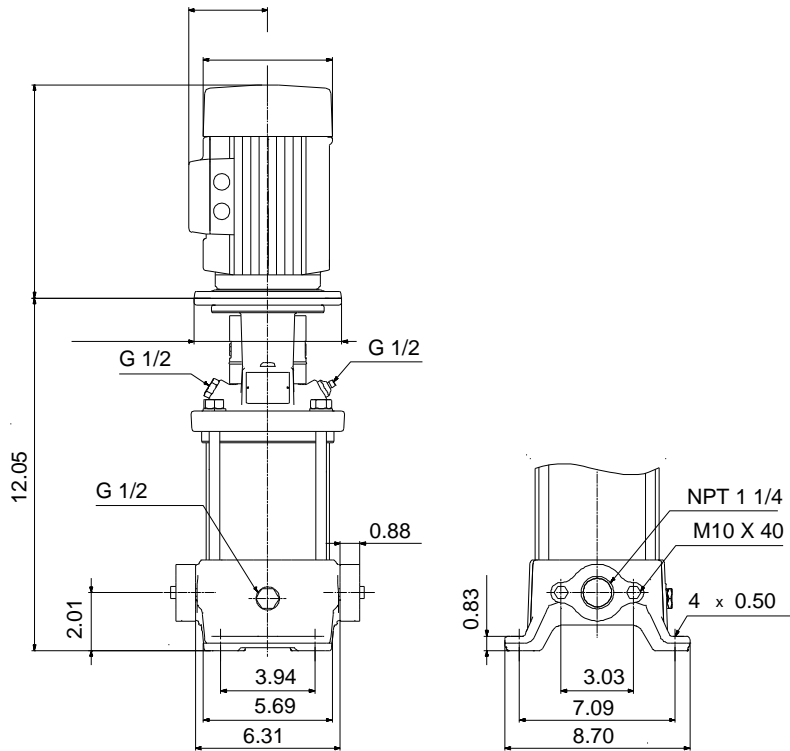


Vertical, multistage centrifugal pump with suction and discharge ports on the same level. The pump head and base are in cast iron. All other wetted parts are in stainless steel (EN 1.4301)(AISI 304)

Product photo could vary from the actual product

| Conditions of Service | | Pump Data | | Motor Data |
|-----------------------|-------------|-------------------------------------|------------------|-----------------------|
| Flow: | 26.9 US gpm | Max pressure at stated temperature: | 232 psi / 194 °F | Main frequency: 60 Hz |
| Head: | 70.67 ft | Shaft seal: | HQQV | |
| Efficiency: | _____ | Product number: | 96084157 | |
| Liquid: | Water | | | |
| Temperature: | 68 °F | | | |
| NPSH required: | 6.16 ft | | | |
| Viscosity: | _____ | | | |
| Specific Gravity: | 1.000 | | | |





Materials:

| | |
|------------------|---|
| Base: | Cast iron EN 1561 EN-GJL-200 ASTM A48-25B |
| Impeller: | Stainless steel AISI 304 EN 1.4301 |
| Material code: | A |
| Code for rubber: | V |

Tender Text



Product photo could vary from the actual product

Product No.: [96084157](#)

CR 5-3 A-B-A-V-HQQV

Vertical, non-self-priming, multistage, in-line, centrifugal pump for installation in pipe systems and mounting on a foundation.

The pump has the following characteristics:

- Impellers and intermediate chambers are made of
- The shaft seal has assembly length according to EN 12756.
- Power transmission is via cast iron split coupling.

Controls:

Frequency converter: NONE

Liquid:

Pumped liquid: Water
Liquid temperature during operation: 68 °F
Density: 62.29 lb/ft³

Technical:

Speed for pump data: 3484 rpm
Actual calculated flow: 26.9 US gpm
Resulting head of the pump: 70.67 ft
Pump orientation: Vertical
Shaft seal arrangement: Single
Code for shaft seal: HQQV
Curve tolerance: ISO9906:2012 3B

Materials:

Base: Cast iron
EN 1561 EN-GJL-200
ASTM A48-25B
Impeller: Stainless steel
EN 1.4301
AISI 304
Bearing material: SIC

Installation:

Max pressure at stated temperature: 232 psi / 194 °F
232 psi / -4 °F



Company name:

Created by:

Phone:

Date: 2/20/2018


Type of connection: Oval / NPT(F)
Size of suction port: 1 1/4 inch
Size of outlet port: 1 1/4 inch
Pressure rating: PN 16
Flange size for motor: 56C

Electrical data:

Motor standard: NEMA
Power (P2) required by pump: 1 HP

Others:

Net weight: 31.2 lb
Gross weight: 42.2 lb
Shipping volume: 4.94 ft³

| Position | Count | Description |
|----------|-------|---|
| | 1 | <p>CR 5-3 A-B-A-V-HQQV</p>  <p>Product photo could vary from the actual product</p> <p>Product No.: 96084157</p> <p>Vertical, non-self-priming, multistage, in-line, centrifugal pump for installation in pipe systems and mounting on a foundation.</p> <p>The pump has the following characteristics:</p> <ul style="list-style-type: none"> - Impellers and intermediate chambers are made of - The shaft seal has assembly length according to EN 12756. - Power transmission is via cast iron split coupling. <p>Controls:</p> <p>Frequency converter: NONE</p> <p>Liquid:</p> <p>Pumped liquid: Water</p> <p>Liquid temperature during operation: 68 °F</p> <p>Density: 62.29 lb/ft³</p> <p>Technical:</p> <p>Speed for pump data: 3484 rpm</p> <p>Actual calculated flow: 26.9 US gpm</p> <p>Resulting head of the pump: 70.67 ft</p> <p>Pump orientation: Vertical</p> <p>Shaft seal arrangement: Single</p> <p>Code for shaft seal: HQQV</p> <p>Curve tolerance: ISO9906:2012 3B</p> <p>Materials:</p> <p>Base: Cast iron EN 1561 EN-GJL-200 ASTM A48-25B</p> <p>Impeller: Stainless steel EN 1.4301 AISI 304</p> <p>Bearing material: SIC</p> <p>Installation:</p> <p>Max pressure at stated temperature: 232 psi / 194 °F 232 psi / -4 °F</p> <p>Type of connection: Oval / NPT(F)</p> <p>Size of suction port: 1 1/4 inch</p> |



Company name:

Created by:

Phone:

Date:

2/20/2018

| Position | Count | Description |
|----------|-------|--|
| | | Size of outlet port: 1 1/4 inch Pressure rating: PN 16 Flange size for motor: 56C Electrical data: Motor standard: NEMA Power (P2) required by pump: 1 HP Others: Net weight: 31.2 lb Gross weight: 42.2 lb Shipping volume: 4.94 ft ³ |



Company name:

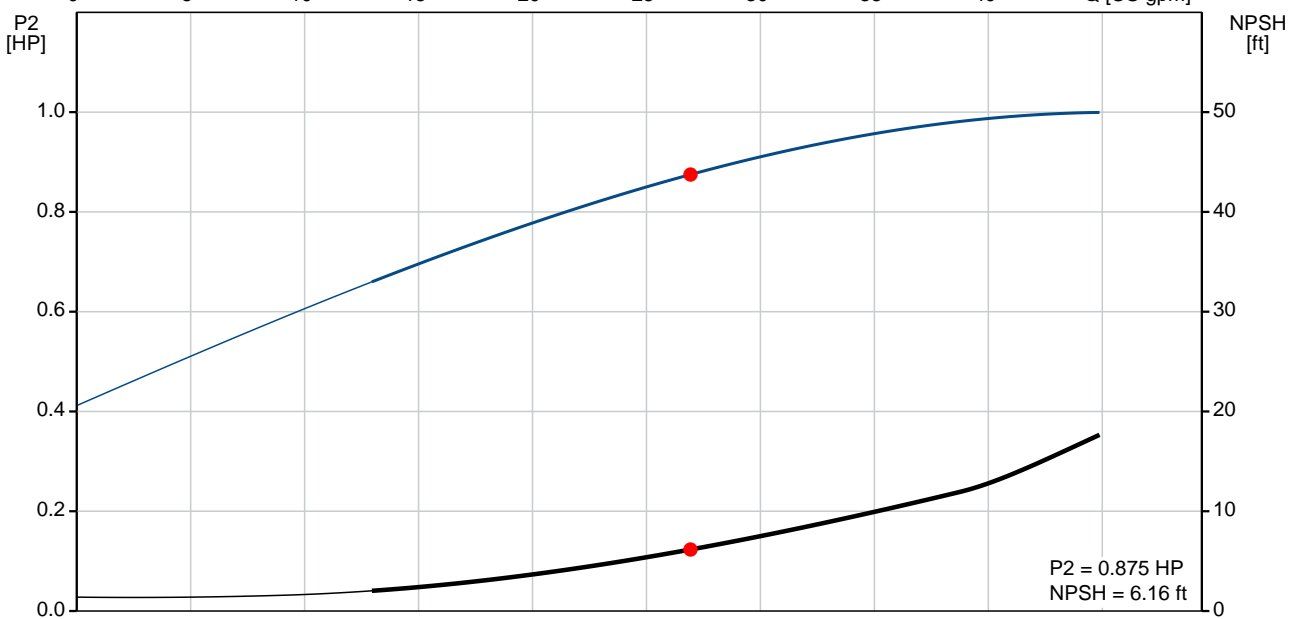
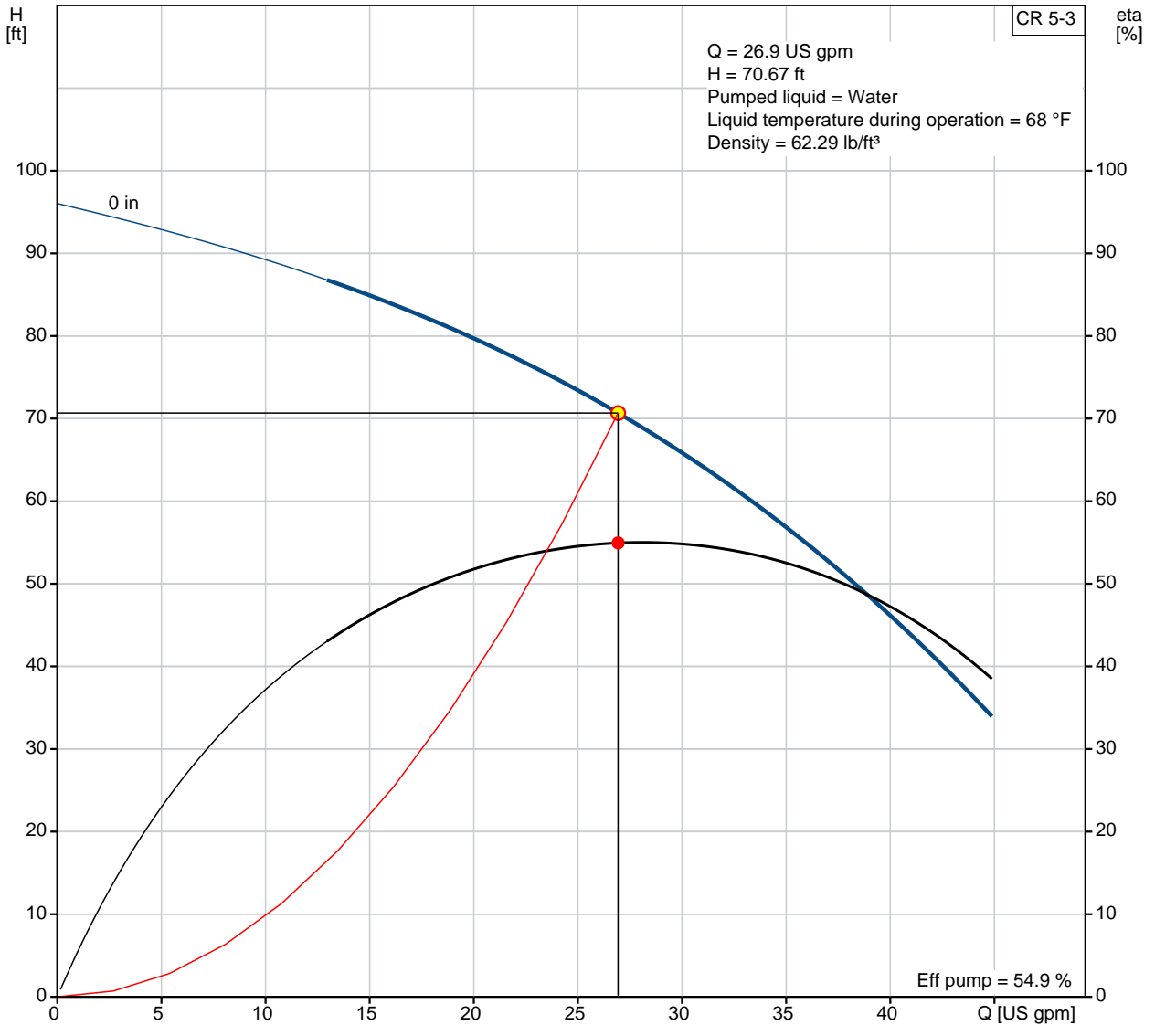
Created by:

Phone:

Date:

2/20/2018

96084157 CR 5-3 60 Hz



| Description | Value |
|-------------|-------|
|-------------|-------|

| | |
|-----------------------------|---------------------|
| General information: | |
| Product name: | CR 5-3 A-B-A-V-HQQV |
| Product No.: | 96084157 |
| EAN: | 5700395189957 |

| | |
|-----------------------------|-----------------|
| Technical: | |
| Speed for pump data: | 3484 rpm |
| Actual calculated flow: | 26.9 US gpm |
| Resulting head of the pump: | 70.67 ft |
| Stages: | 3 |
| Impellers: | 3 |
| Low NPSH: | N |
| Pump orientation: | Vertical |
| Shaft seal arrangement: | Single |
| Code for shaft seal: | HQQV |
| Curve tolerance: | ISO9906:2012 3B |
| Pump version: | A |
| Model: | A |

| | |
|-------------------|---|
| Materials: | |
| Base: | Cast iron EN 1561 EN-GJL-200 ASTM A48-25B |
| Impeller: | Stainless steel EN 1.4301 AISI 304 |
| Material code: | A |
| Code for rubber: | V |
| Bearing material: | SIC |

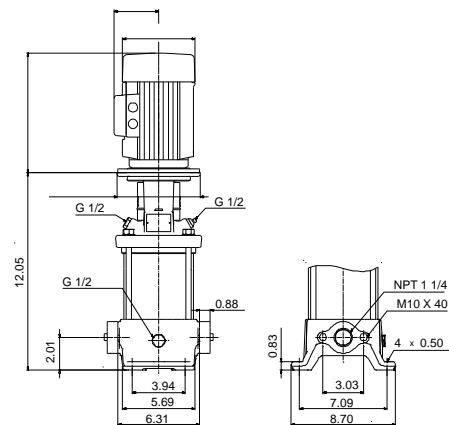
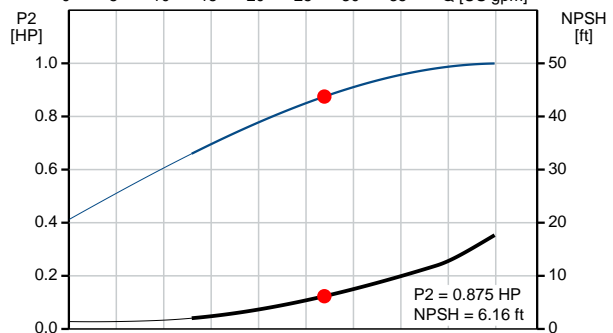
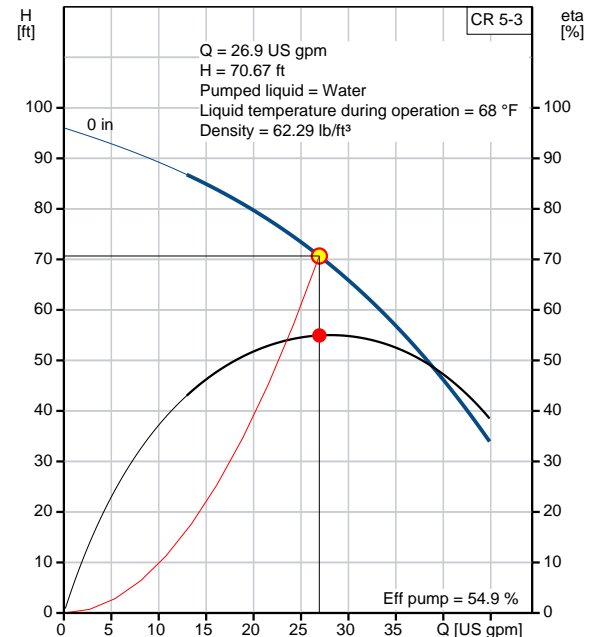
| | |
|-------------------------------------|-------------------------------------|
| Installation: | |
| Max pressure at stated temperature: | 232 psi / 194 °F 232 psi / -4 °F |
| Type of connection: | Oval / NPT(F) |
| Connect code: | B |
| Size of suction port: | 1 1/4 inch |
| Size of outlet port: | 1 1/4 inch |
| Pressure rating: | PN 16 |
| Flange size for motor: | 56C |

| | |
|--------------------------------------|--------------------------|
| Liquid: | |
| Pumped liquid: | Water |
| Liquid temperature during operation: | 68 °F |
| Density: | 62.29 lb/ft ³ |

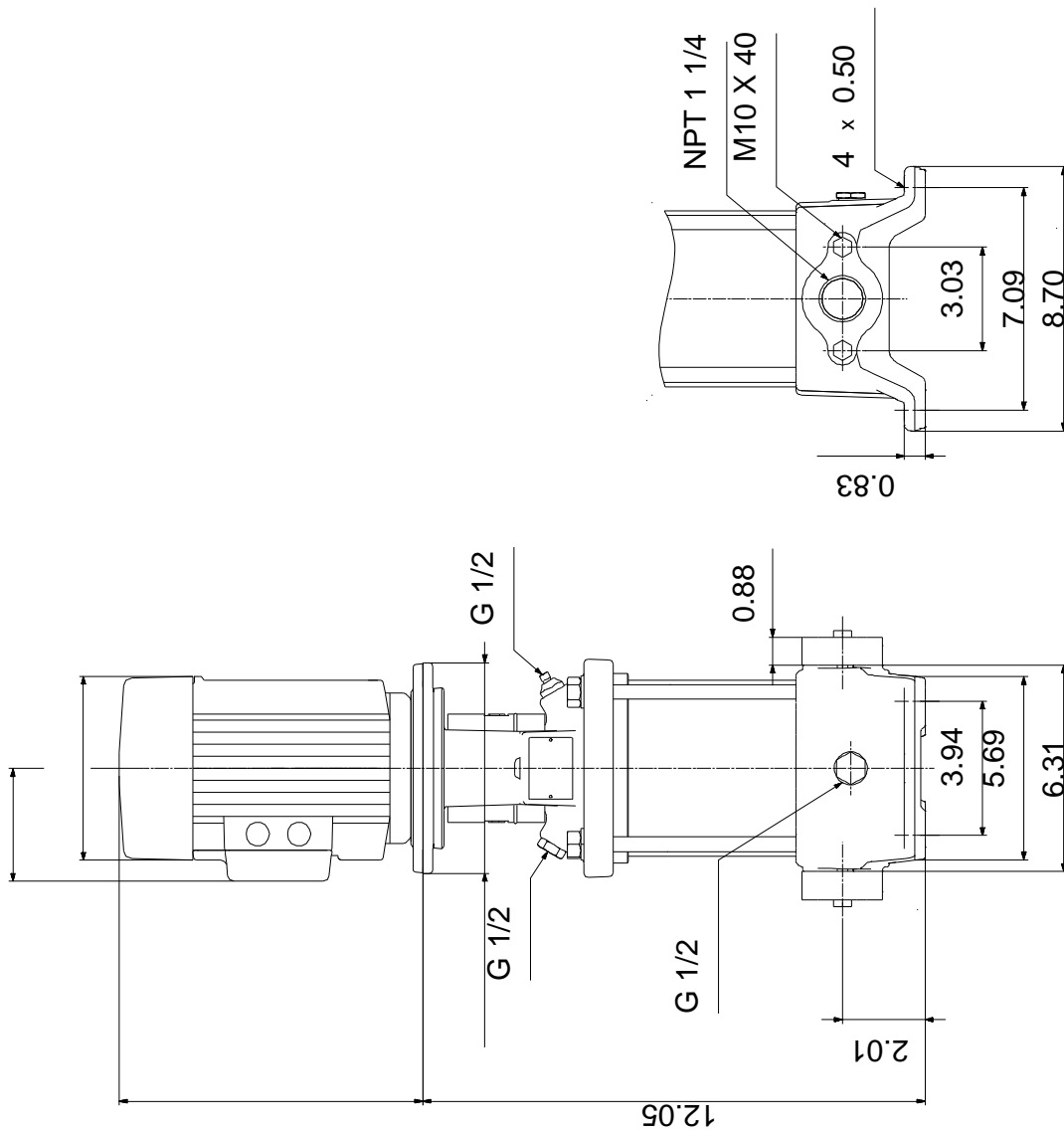
| | |
|------------------------------|------|
| Electrical data: | |
| Motor standard: | NEMA |
| Power (P2) required by pump: | 1 HP |

| | |
|----------------------|------|
| Controls: | |
| Frequency converter: | NONE |

| | |
|------------------|----------------------|
| Others: | |
| Net weight: | 31.2 lb |
| Gross weight: | 42.2 lb |
| Shipping volume: | 4.94 ft ³ |



96084157 CR 5-3 60 Hz



Note! All units are in [mm] unless otherwise stated.
 Disclaimer: This simplified dimensional drawing does not show all details.



Company name:

Created by:

Phone:

Date: 2/20/2018

Order Data:

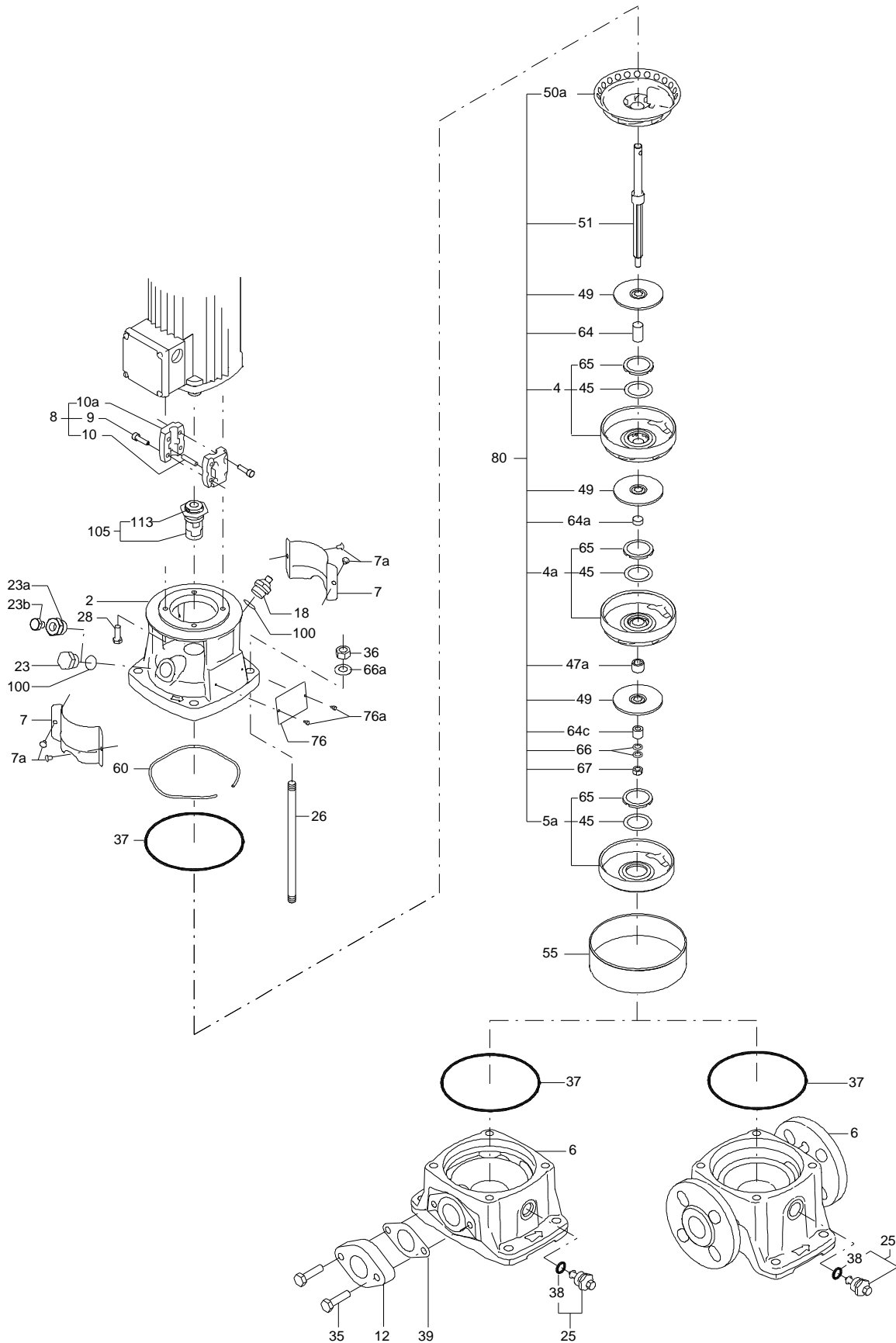
Product name: CR 5-3 A-B-A-V-HQQV

Amount: 1

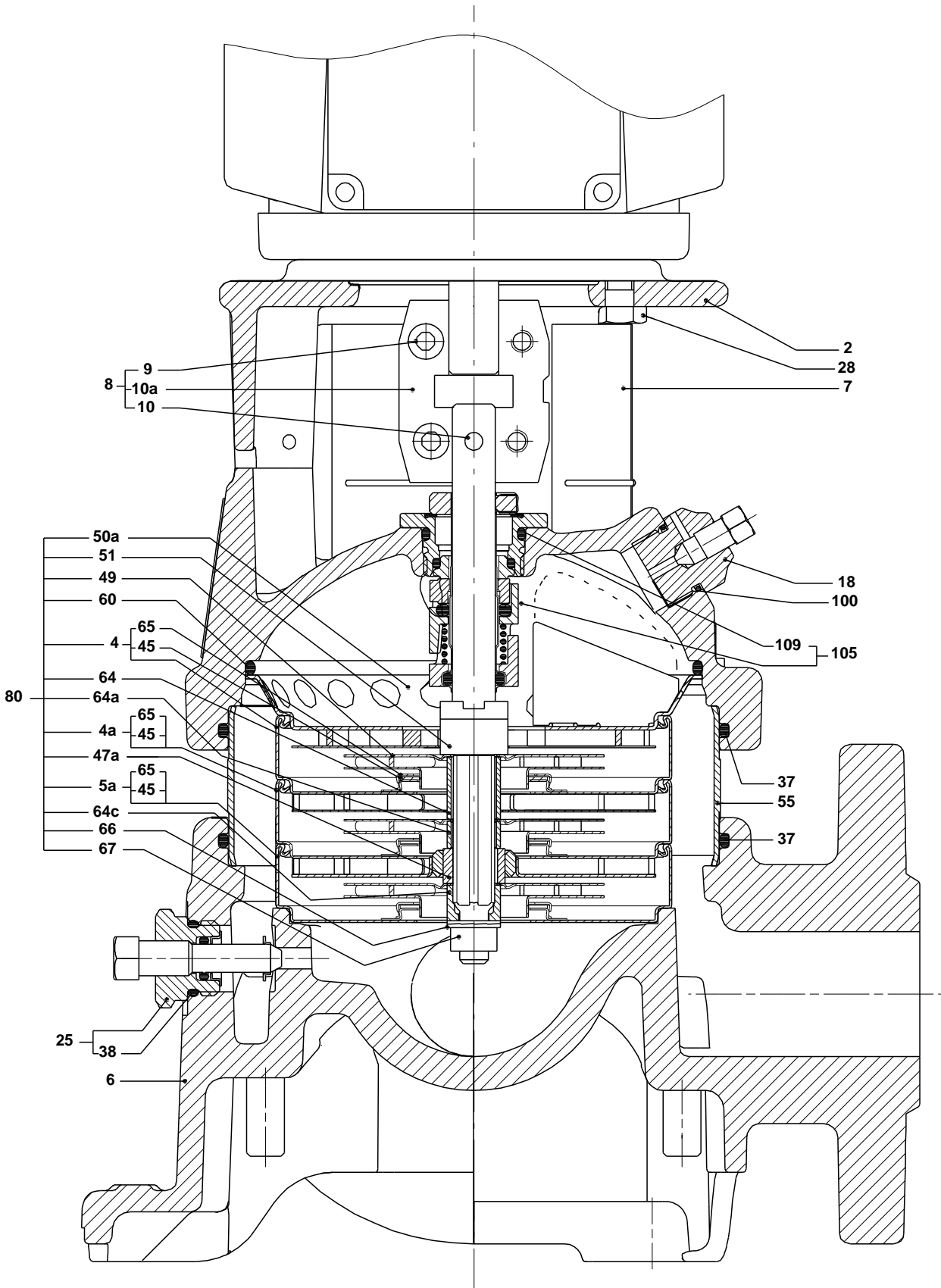
Product No.: 96084157

Total: Price on request

Exploded view (tm020210 4100)



Sectional drawing (tm020211 4100)



**Parts list CR 5-3, Prod number 96084157
Valid from 1.1.2004 (0401)**

| Position | Description | Annotation | Classification data | Part No. | Count | Unit |
|----------|---------------------------|------------|--|----------|-------|------|
| - | Base cpl. | | | | 1 | pcs |
| 6 | Base | | | | 1 | |
| 12 | Flange | | | | 2 | |
| 35 | Hex head screw | | Length: 40 Thread: M10 | | 4 | |
| 39 | Gasket | | | | 2 | |
| - | Sealing parts | | | | 1 | pcs |
| - 25 | Drain plug w/bypass valve | | | | 1 | |
| 38 | O-ring | | Diameter: 16,3 Material type: FKM Thickness: 2,4 | | | |
| 37 | O-ring | | Diameter: 137,5 Material type: FKM Thickness: 3,3 | | 2 | |
| 100 | O-ring | | Diameter: 16,3 Material type: FKM Thickness: 2,4 | | 2 | |
| - 2 | Pump head cpl. | | | | 1 | pcs |
| 2 | Pump head | | | | 1 | |
| 7 | Coupling guard | | | | 2 | |
| 7a | Thread cutting screw | | | | 4 | |
| - 18 | Air vent screw | | | | 1 | |
| | Plug | | | | | |
| | Spindle | | | | | |
| - 25 | Drain plug | | | | 1 | |
| 23 | Pipe plug | | | | | |
| 25 | Drain plug | | | | | |
| 28 | Hex head cap screw | | Length: 25 Thread: UNC 3/8" | | 4 | |
| 60 | Formed wire spring | | | | 1 | |
| + 8 | Coupling cpl. | | | | 1 | pcs |
| 26 | Staybolt | | Length: 103 Thread: M12 | | 4 | pcs |
| 36a | Washer | | Designation: DIN 125 A Inner diameter: 13 Outer diameter: 24 Thickness: 2,5 | | 4 | pcs |
| 55 | Outer sleeve | | | | 1 | pcs |
| 66a | Nut | | Thread: M12 | | 4 | pcs |
| + 80 | Chamber stack | | | | 1 | pcs |
| - 105 | Shaft seal | | Material type: HQQV | | 1 | pcs |
| | O-ring | | | | 1 | |
| | O-ring | | | | 1 | |
| | O-ring | | | | 1 | |
| | Seal driver, upper | | | | 1 | |
| | Seal driver, lower | | | | 1 | |
| | Spacer ring | | | | 1 | |
| | Pipe | | | | 1 | |
| | Plug | | | | 1 | |
| | Plug | | | | 1 | |
| | Compression spring | | | | 1 | |
| | Socket set screw | | | | 3 | |
| 103 | Seal ring, stationary | | | | 1 | |



Company name:

Created by:

Phone:

Date: 2/20/2018

| Position | Description | Annotation | Classification data | Part No. | Count | Unit |
|----------|---------------------|------------|---------------------|----------|-------|------|
| 105 | Seal ring, rotating | | | | 1 | |
| 109 | O-ring | | | | 1 | |
| 113 | Driver | | | | 1 | |