

PROJECT: _____	UNIT TAG: _____	QUANTITY: _____
REPRESENTATIVE: _____	TYPE OF SERVICE: _____	DATE: _____
ENGINEER: _____	SUBMITTED BY: _____	DATE: _____
CONTRACTOR: _____	APPROVED BY: _____	DATE: _____
	ORDER NO.: _____	DATE: _____

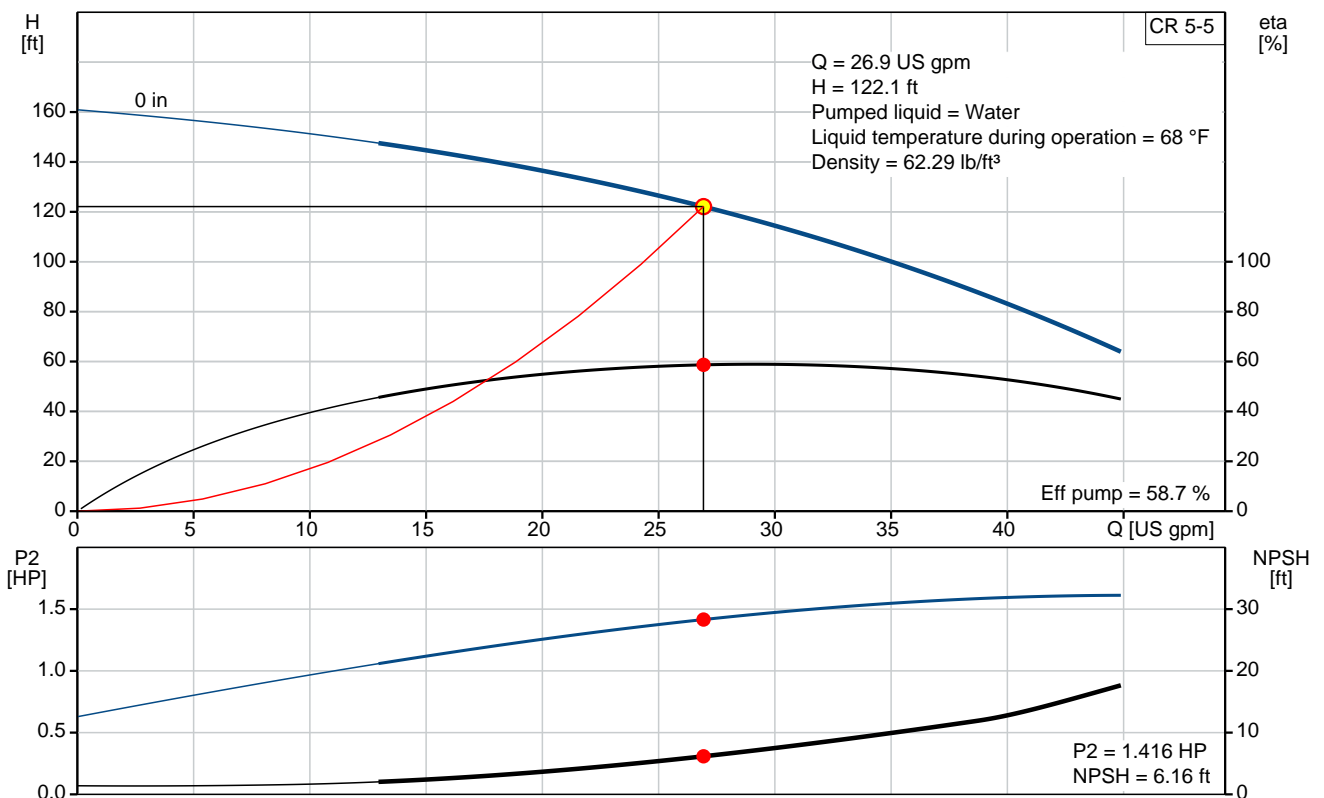
CR 5-5

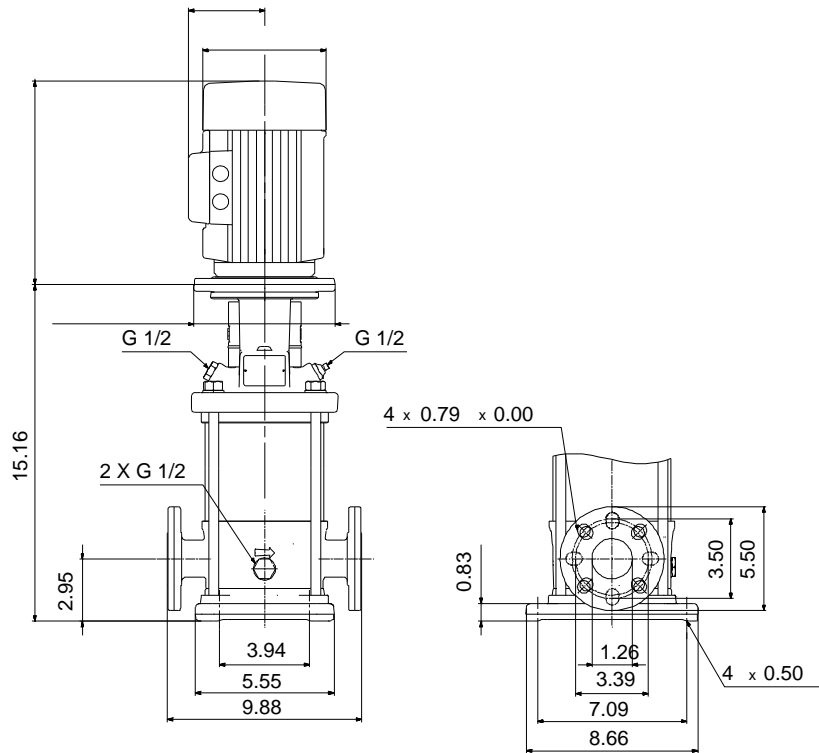


Vertical, multistage centrifugal pump with suction and discharge ports on the same level. The pump head and base are in cast iron. All other wetted parts are in stainless steel (EN 1.4301)(AISI 304)

Product photo could vary from the actual product

Conditions of Service		Pump Data		Motor Data	
Flow:	26.9 US gpm	Max pressure at stated temperature:	363 psi / 194 °F	Main frequency:	60 Hz
Head:	122.1 ft	Shaft seal:	HQQV		
Efficiency:	_____	Product number:	96084329		
Liquid:	Water				
Temperature:	68 °F				
NPSH required:	6.16 ft				
Viscosity:	_____				
Specific Gravity:	1.000				





Materials:

Base:	Cast iron EN 1561 EN-GJL-200 ASTM A48-25B
Impeller:	Stainless steel AISI 304 EN 1.4301
Material code:	A
Code for rubber:	V

Tender Text



Product photo could vary from the actual product

Product No.: [96084329](#)

CR 5-5 A-FGJ-A-V-HQQV

Vertical, non-self-priming, multistage, in-line, centrifugal pump for installation in pipe systems and mounting on a foundation.

The pump has the following characteristics:

- Impellers and intermediate chambers are made of
- The shaft seal has assembly length according to EN 12756.
- Power transmission is via cast iron split coupling.

Controls:

Frequency converter: NONE

Liquid:

Pumped liquid: Water
Liquid temperature during operation: 68 °F
Density: 62.29 lb/ft³

Technical:

Speed for pump data: 3466 rpm
Actual calculated flow: 26.9 US gpm
Resulting head of the pump: 122.1 ft
Pump orientation: Vertical
Shaft seal arrangement: Single
Code for shaft seal: HQQV
Curve tolerance: ISO9906:2012 3B

Materials:

Base: Cast iron
EN 1561 EN-GJL-200
ASTM A48-25B
Impeller: Stainless steel
EN 1.4301
AISI 304
Bearing material: SIC

Installation:

Max pressure at stated temperature: 363 psi / 194 °F
363 psi / -4 °F



Company name:

Created by:

Phone:

Date:

2/20/2018


Type of connection: DIN / ANSI / JIS
Size of inlet connection: DN 25/32
Size of suction port: 1 1/4 inch
Size of outlet connection: DN 25/32
Size of outlet port: 1 1/4 inch
Pressure rating: PN 25
Flange size for motor: 56C
Flange rating inlet: 250 lb

Electrical data:

Motor standard: NEMA
Power (P2) required by pump: 1.5 HP

Others:

Net weight: 43.7 lb
Gross weight: 54.7 lb
Shipping volume: 4.94 ft³

Position	Count	Description
	1	<p>CR 5-5 A-FGJ-A-V-HQQV</p>  <p>Product photo could vary from the actual product</p> <p>Product No.: 96084329</p> <p>Vertical, non-self-priming, multistage, in-line, centrifugal pump for installation in pipe systems and mounting on a foundation.</p> <p>The pump has the following characteristics:</p> <ul style="list-style-type: none"> - Impellers and intermediate chambers are made of - The shaft seal has assembly length according to EN 12756. - Power transmission is via cast iron split coupling. <p>Controls:</p> <p>Frequency converter: NONE</p> <p>Liquid:</p> <p>Pumped liquid: Water</p> <p>Liquid temperature during operation: 68 °F</p> <p>Density: 62.29 lb/ft³</p> <p>Technical:</p> <p>Speed for pump data: 3466 rpm</p> <p>Actual calculated flow: 26.9 US gpm</p> <p>Resulting head of the pump: 122.1 ft</p> <p>Pump orientation: Vertical</p> <p>Shaft seal arrangement: Single</p> <p>Code for shaft seal: HQQV</p> <p>Curve tolerance: ISO9906:2012 3B</p> <p>Materials:</p> <p>Base: Cast iron EN 1561 EN-GJL-200 ASTM A48-25B</p> <p>Impeller: Stainless steel EN 1.4301 AISI 304</p> <p>Bearing material: SIC</p> <p>Installation:</p> <p>Max pressure at stated temperature: 363 psi / 194 °F 363 psi / -4 °F</p> <p>Type of connection: DIN / ANSI / JIS</p> <p>Size of inlet connection: DN 25/32</p>



Company name:

Created by:

Phone:

Date:

2/20/2018

Position	Count	Description
		Size of suction port: 1 1/4 inch
		Size of outlet connection: DN 25/32
		Size of outlet port: 1 1/4 inch
		Pressure rating: PN 25
		Flange size for motor: 56C
		Flange rating inlet: 250 lb
		Electrical data:
		Motor standard: NEMA
		Power (P2) required by pump: 1.5 HP
		Others:
		Net weight: 43.7 lb
		Gross weight: 54.7 lb
		Shipping volume: 4.94 ft ³



Company name:

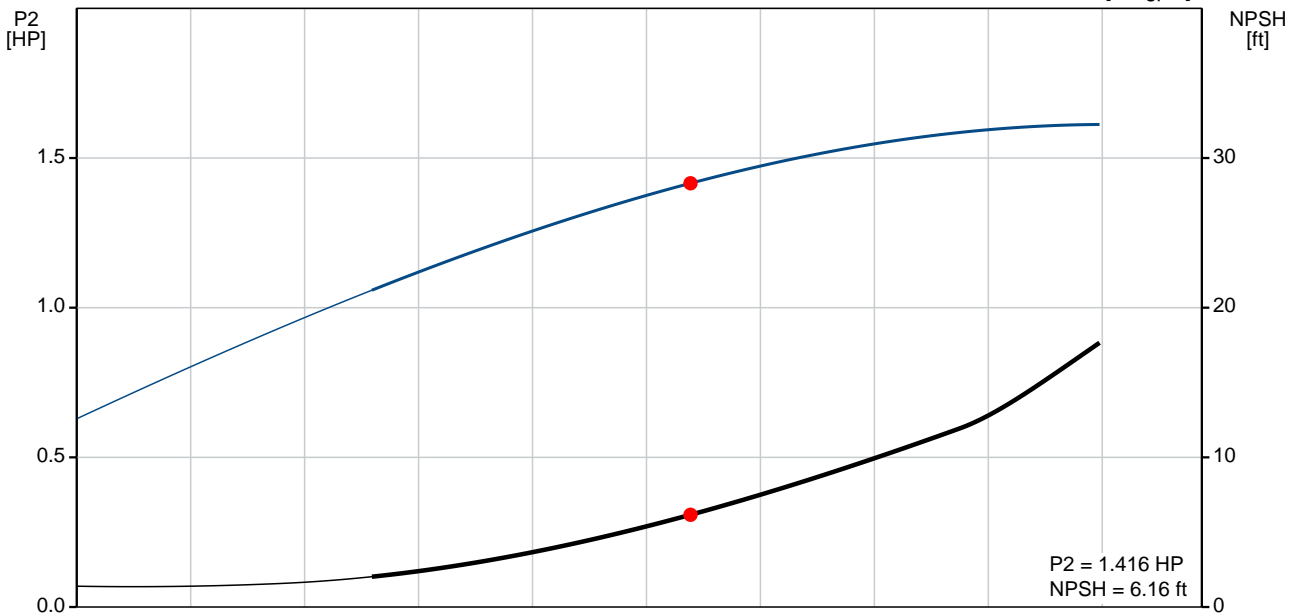
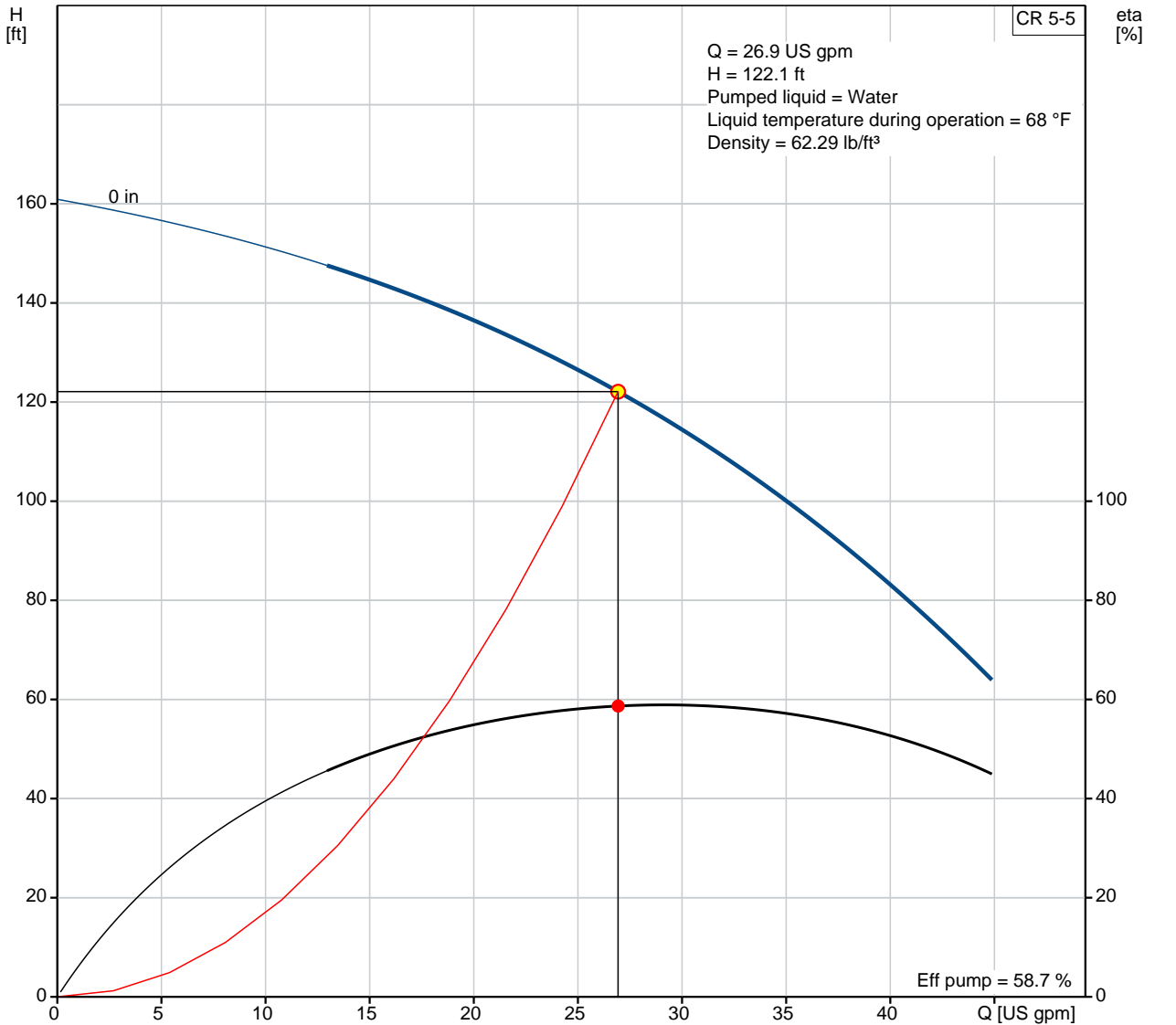
Created by:

Phone:

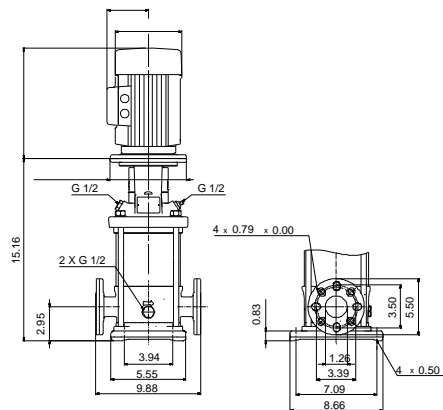
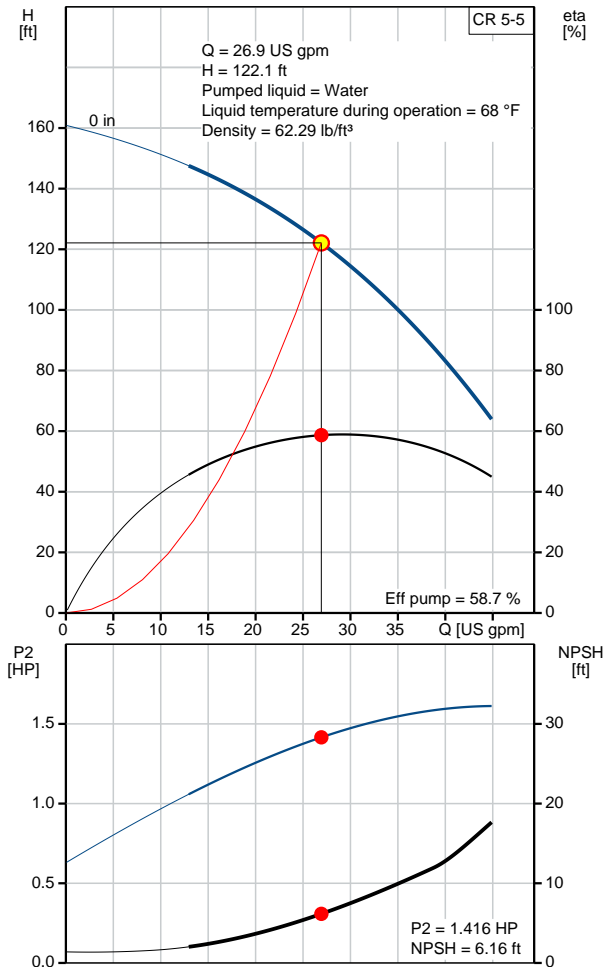
Date:

2/20/2018

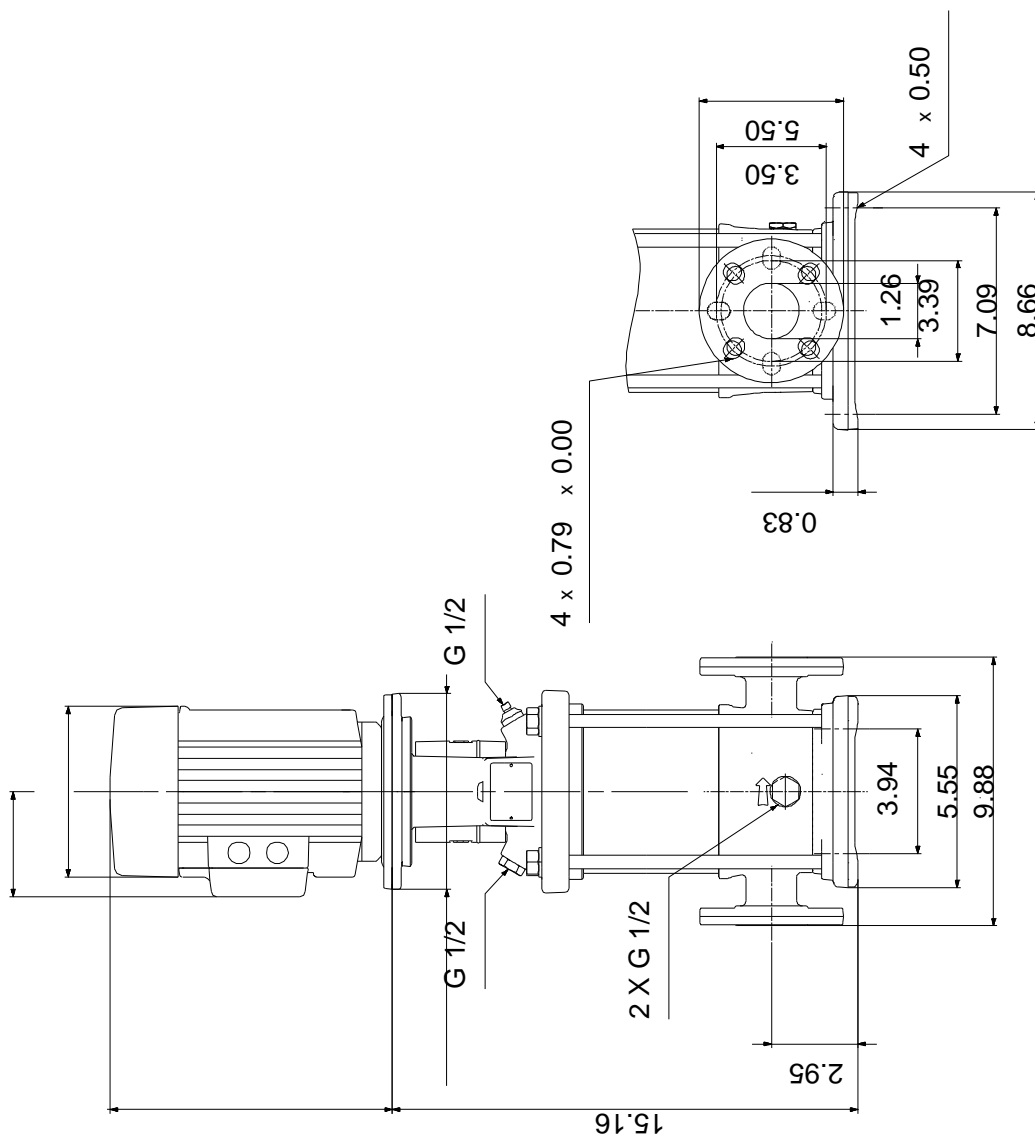
96084329 CR 5-5 60 Hz



Description	Value
General information:	
Product name:	CR 5-5 A-FGJ-A-V-HQQV
Product No.:	96084329
EAN:	5700395191677
Technical:	
Speed for pump data:	3466 rpm
Actual calculated flow:	26.9 US gpm
Resulting head of the pump:	122.1 ft
Stages:	5
Impellers:	5
Low NPSH:	N
Pump orientation:	Vertical
Shaft seal arrangement:	Single
Code for shaft seal:	HQQV
Curve tolerance:	ISO9906:2012 3B
Pump version:	A
Model:	A
Materials:	
Base:	Cast iron EN 1561 EN-GJL-200 ASTM A48-25B
Impeller:	Stainless steel EN 1.4301 AISI 304
Material code:	A
Code for rubber:	V
Bearing material:	SIC
Installation:	
Max pressure at stated temperature:	363 psi / 194 °F 363 psi / -4 °F
Type of connection:	DIN / ANSI / JIS
Connect code:	FGJ
Size of inlet connection:	DN 25/32
Size of suction port:	1 1/4 inch
Size of outlet connection:	DN 25/32
Size of outlet port:	1 1/4 inch
Pressure rating:	PN 25
Flange size for motor:	56C
Flange rating inlet:	250 lb
Liquid:	
Pumped liquid:	Water
Liquid temperature during operation:	68 °F
Density:	62.29 lb/ft³
Electrical data:	
Motor standard:	NEMA
Power (P2) required by pump:	1.5 HP
Controls:	
Frequency converter:	NONE
Others:	
Net weight:	43.7 lb
Gross weight:	54.7 lb
Shipping volume:	4.94 ft³



96084329 CR 5-5 60 Hz



Note! All units are in [mm] unless otherwise stated.
 Disclaimer: This simplified dimensional drawing does not show all details.



Company name:

Created by:

Phone:

Date: 2/20/2018

Order Data:

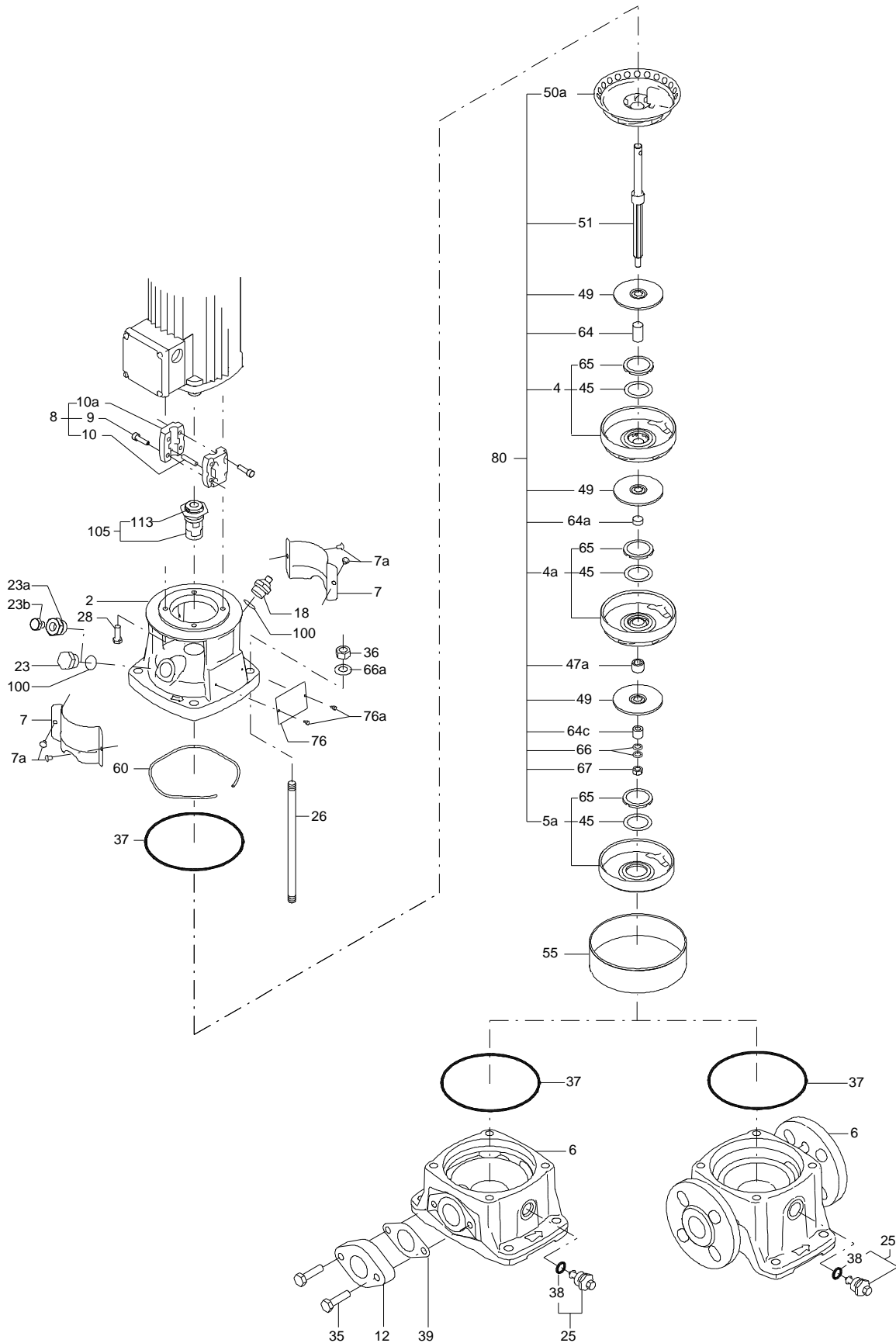
Product name: CR 5-5 A-FGJ-A-V-HQQV

Amount: 1

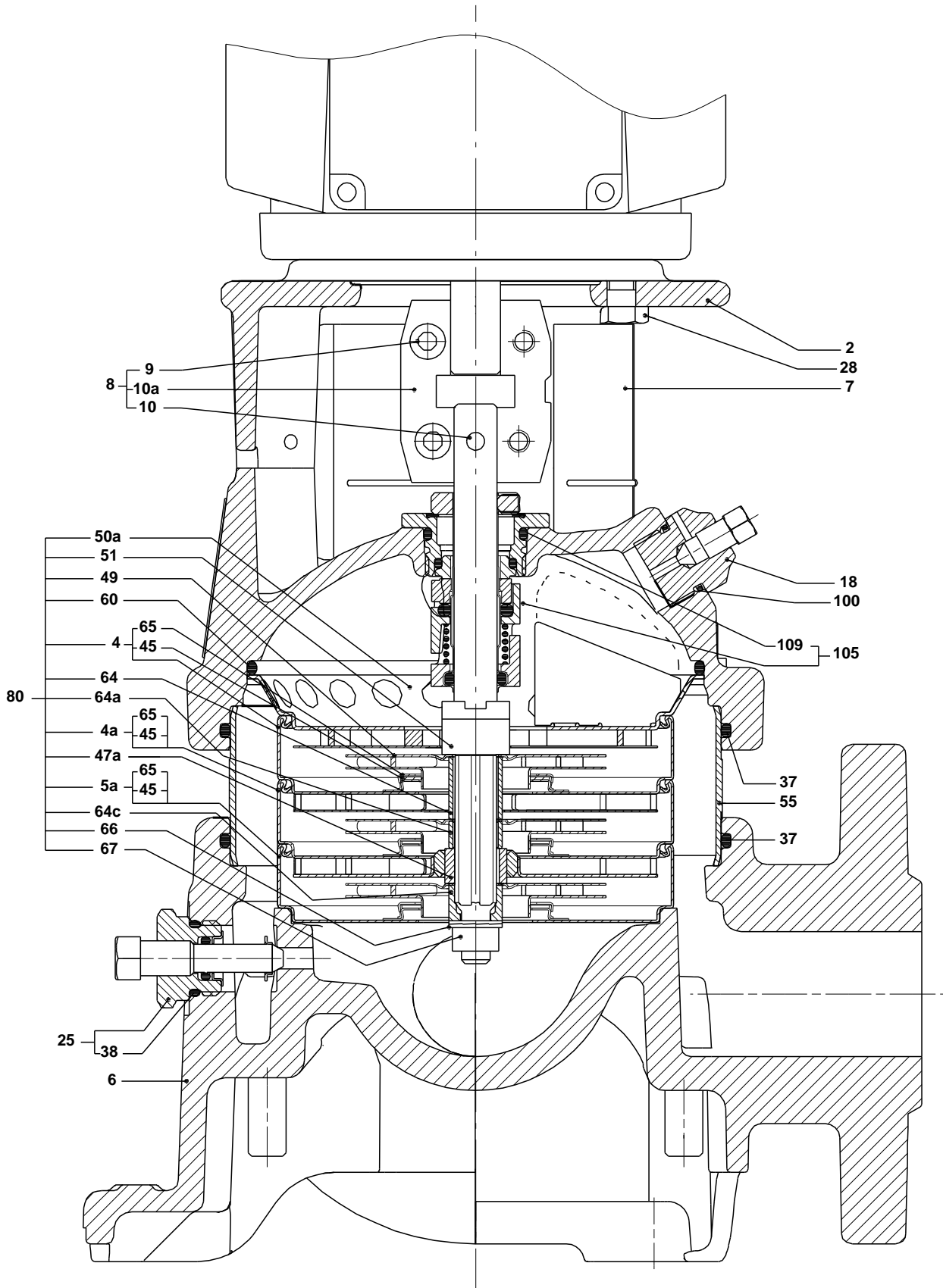
Product No.: 96084329

Total: Price on request

Exploded view (tm020210 4100)



Sectional drawing (tm020211 4100)



Parts list CR 5-5, Prod number 96084329

Valid from 1.1.2004 (0401)

Position	Description	Annotation	Classification data	Part No.	Count	Unit
-	Base cpl.				1	pcs
6	Base				1	
-	Sealing parts				1	pcs
- 25	Drain plug w/bypass valve				1	
38	O-ring		Diameter: 16,3			
			Material type: FKM			
			Thickness: 2,4			
37	O-ring		Diameter: 137,5		2	
			Material type: FKM			
			Thickness: 3,3			
100	O-ring		Diameter: 16,3		2	
			Material type: FKM			
			Thickness: 2,4			
- 2	Pump head cpl.				1	pcs
2	Pump head				1	
7	Coupling guard				2	
7a	Thread cutting screw				4	
- 18	Air vent screw				1	
	Plug					
	Spindle					
- 25	Drain plug				1	
23	Pipe plug					
25	Drain plug					
28	Hex head cap screw		Length: 25		4	
			Thread: UNC 3/8"			
60	Formed wire spring				1	
+ 8	Coupling cpl.				1	pcs
26	Staybolt		Length: 157		4	pcs
			Thread: M12			
36a	Washer		Designation: DIN 125 A		4	pcs
			Inner diameter: 13			
			Outer diameter: 24			
			Thickness: 2,5			
55	Outer sleeve				1	pcs
66a	Nut		Thread: M12		4	pcs
- 80	Chamber stack				1	pcs
-	Guide vane cpl.				1	
	Guide vane					
	Plate					
50b	Top plate					
- 4	Chamber cpl.				3	
	Chamber					
	Retainer for seal ring					
	Guide vane					
	Plate					
	Vane					
45	Neck ring					
65	Retainer					
- 4a	Chamber w. bearing cpl.				1	
	Chamber					
	Retainer for seal ring					
	Guide vane					
	Retainer for bearing					

Position	Description	Annotation	Classification data	Part No.	Count	Unit
	Bearing bush					
	Vane					
45	Neck ring					
65	Retainer					
- 5a	Chamber cpl.				1	
	Chamber					
45	Neck ring					
65	Retainer					
36	Lock nut		Thread: M8		1	
47a	Bearing ring, rotating				1	
49	Impeller cpl.				5	
51	Shaft, spline, cpl.				1	
64a	Spacing pipe		Length: 13.00		1	
64c	Clamp, splined		Inner diameter: 8,5 Outer diameter: 15		1	
66	Wedge lock washer				1	
69	Spacing pipe		Length: 26.0		3	
69	Spacing pipe		Length: 2.00		1	
- 105	Shaft seal		Material type: HQQV		1	pcs
	O-ring				1	
	O-ring				1	
	O-ring				1	
	Seal driver, upper				1	
	Seal driver, lower				1	
	Spacer ring				1	
	Pipe				1	
	Plug				1	
	Plug				1	
	Compression spring				1	
	Socket set screw				3	
103	Seal ring, stationary				1	
105	Seal ring, rotating				1	
109	O-ring				1	
113	Driver				1	