

PROJECT: _____	UNIT TAG: _____	QUANTITY: _____
REPRESENTATIVE: _____	TYPE OF SERVICE: _____	DATE: _____
ENGINEER: _____	SUBMITTED BY: _____	DATE: _____
CONTRACTOR: _____	APPROVED BY: _____	DATE: _____
	ORDER NO.: _____	DATE: _____

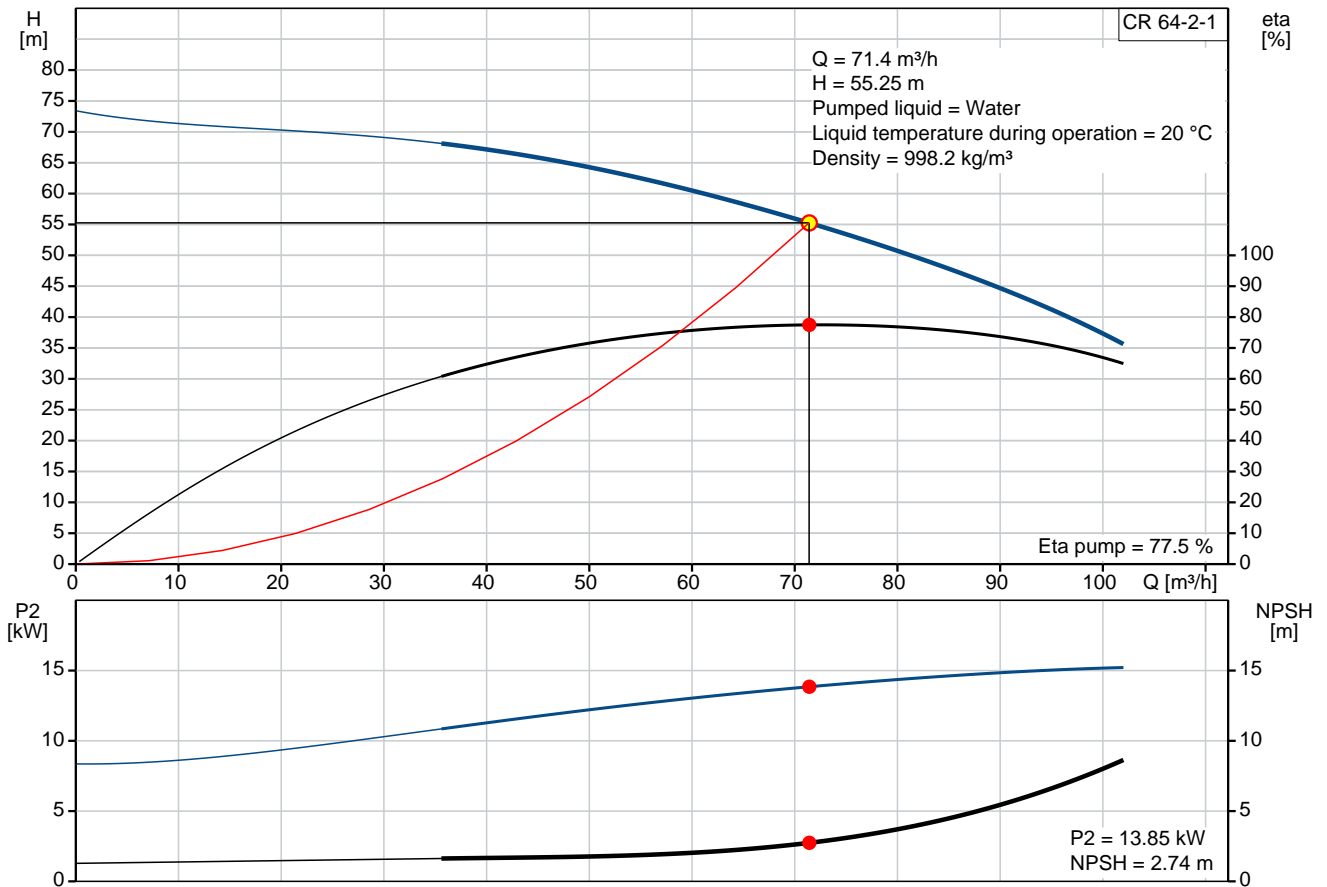


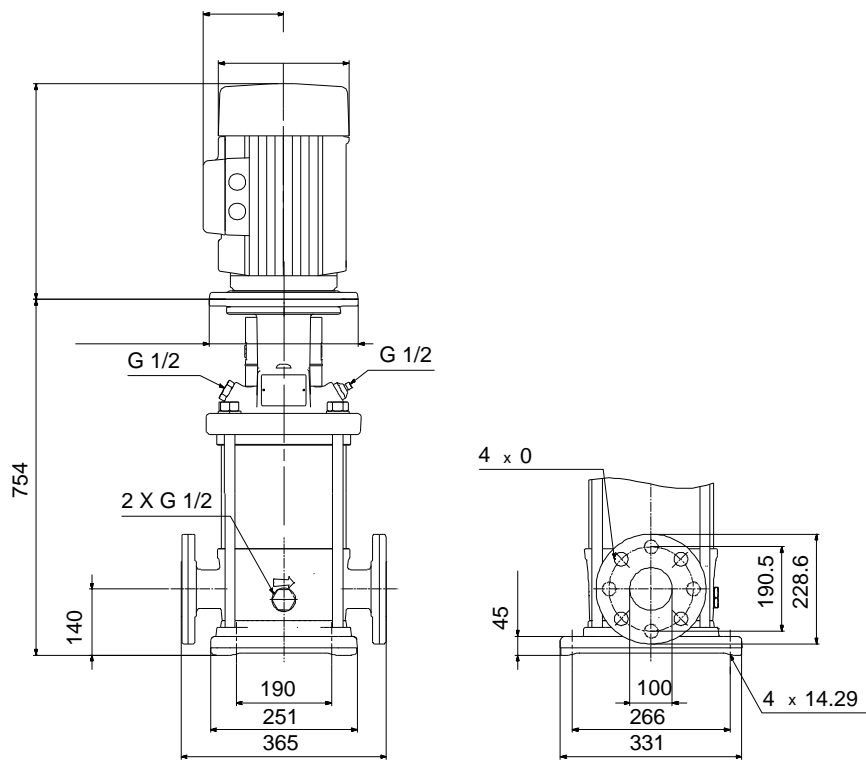
**CR 64-2-1**

Vertical, multistage centrifugal pump with suction and discharge ports on the same level. The pump head and base are in cast iron. All other wetted parts are in stainless steel (EN 1.4301)

Note! Product picture may differ from actual product

Conditions of Service		Pump Data		Motor Data	
Flow:	71.4 m <sup>3</sup> /h	Max pressure at stated temp:	16 bar / 120 °C	Mains frequency:	60 Hz
Head:	55.25 m	Approvals:	NSF61		
Efficiency:	_____	Shaft seal:	HQQE		
Liquid:	Water	Product number:	96415999		
Temperature:	20 °C				
NPSH required:	2.74 m				
Viscosity:	_____				
Specific Gravity:	1.000				





**Materials:**

Base:	Cast iron EN 1563 EN-GJS-500-7 ASTM A536 80-55-06
Impeller:	Stainless steel AISI 304 EN 1.4301
Material code:	A
Code for rubber:	E

## Tender Text



Note! Product picture may differ from actual product

Product No.: [96415999](#)

### CR 64-2-1 A-G-A-E-HQQE

Vertical, non-self-priming, multistage, in-line, centrifugal pump for installation in pipe systems and mounting on a foundation.

The pump has the following characteristics:

- Impellers and intermediate chambers are made of
- The shaft seal has assembly length according to EN 12756.
- Power transmission is via cast iron split coupling.

#### Controls:

Frequency converter: NONE

#### Liquid:

Pumped liquid: Water  
Liquid temperature during operation: 20 °C  
Density: 998.2 kg/m<sup>3</sup>

#### Technical:

Speed for pump data: 3497 rpm  
Actual calculated flow: 71.4 m<sup>3</sup>/h  
Resulting head of the pump: 55.25 m  
Pump orientation: Vertical  
Shaft seal arrangement: Single  
Code for shaft seal: HQQE  
Approvals on nameplate: NSF61  
Curve tolerance: ISO9906:2012 3B

#### Materials:

Base: Cast iron  
EN 1563 EN-GJS-500-7  
ASTM A536 80-55-06  
Impeller: Stainless steel  
EN 1.4301  
AISI 304  
Bearing material: SIC  
Support bearing: Graflon

#### Installation:

Max pressure at stated temp: 16 bar / 120 °C  
16 bar / -30 °C  
Type of connection: ANSI  
Size of inlet connection: 4 inch



Company name:

Created by:

Phone:

Date:

21/02/2018


Size of outlet connection: 4 inch  
Pressure rating: PN 16  
Flange size for motor: 254TC  
Flange rating inlet: 150 lb

**Electrical data:**

Motor standard: NEMA  
Power (P2) required by pump: 15 kW

**Others:**

Net weight: 74.5 kg  
Gross weight: 82.6 kg  
Shipping volume: 0.309 m<sup>3</sup>

Position	Qty.	Description
	1	<p><b>CR 64-2-1 A-G-A-E-HQQE</b></p>  <p style="text-align: center;"><b>Note! Product picture may differ from actual product</b></p> <p>Product No.: <a href="#">96415999</a>            Vertical, non-self-priming, multistage, in-line, centrifugal pump for installation in pipe systems and mounting on a foundation.</p> <p>The pump has the following characteristics:</p> <ul style="list-style-type: none"> <li>- Impellers and intermediate chambers are made of</li> <li>- The shaft seal has assembly length according to EN 12756.</li> <li>- Power transmission is via cast iron split coupling.</li> </ul> <p>Controls:            Frequency converter:                    NONE</p> <p><b>Liquid:</b>            Pumped liquid:                            Water            Liquid temperature during operation: 20 °C            Density:                                      998.2 kg/m<sup>3</sup></p> <p><b>Technical:</b>            Speed for pump data:                    3497 rpm            Actual calculated flow:                  71.4 m<sup>3</sup>/h            Resulting head of the pump:            55.25 m            Pump orientation:                        Vertical            Shaft seal arrangement:                Single            Code for shaft seal:                      HQQE            Approvals on nameplate:                NSF61            Curve tolerance:                         ISO9906:2012 3B</p> <p><b>Materials:</b>            Base:                                         Cast iron                EN 1563 EN-GJS-500-7                ASTM A536 80-55-06            Impeller:                                    Stainless steel                EN 1.4301                AISI 304            Bearing material:                        SIC            Support bearing:                         Grafflon</p> <p><b>Installation:</b>            Max pressure at stated temp:        16 bar / 120 °C                16 bar / -30 °C            Type of connection:                    ANSI            Size of inlet connection:                4 inch            Size of outlet connection:              4 inch            Pressure rating:                         PN 16</p>



Company name:

Created by:

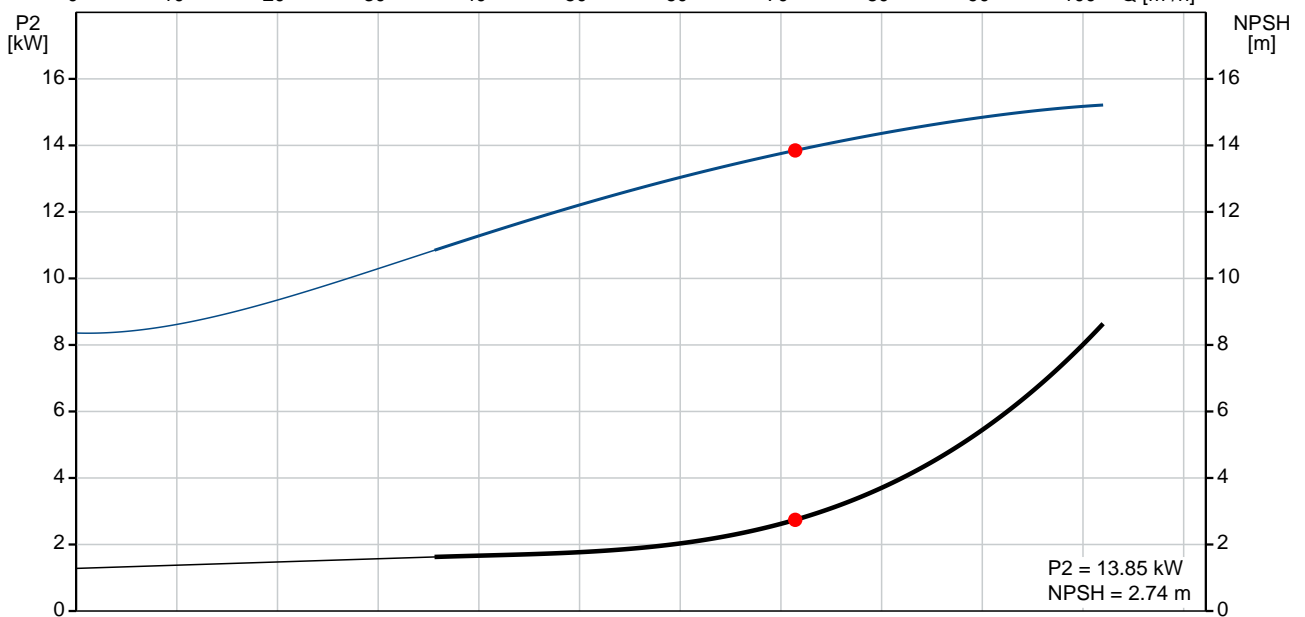
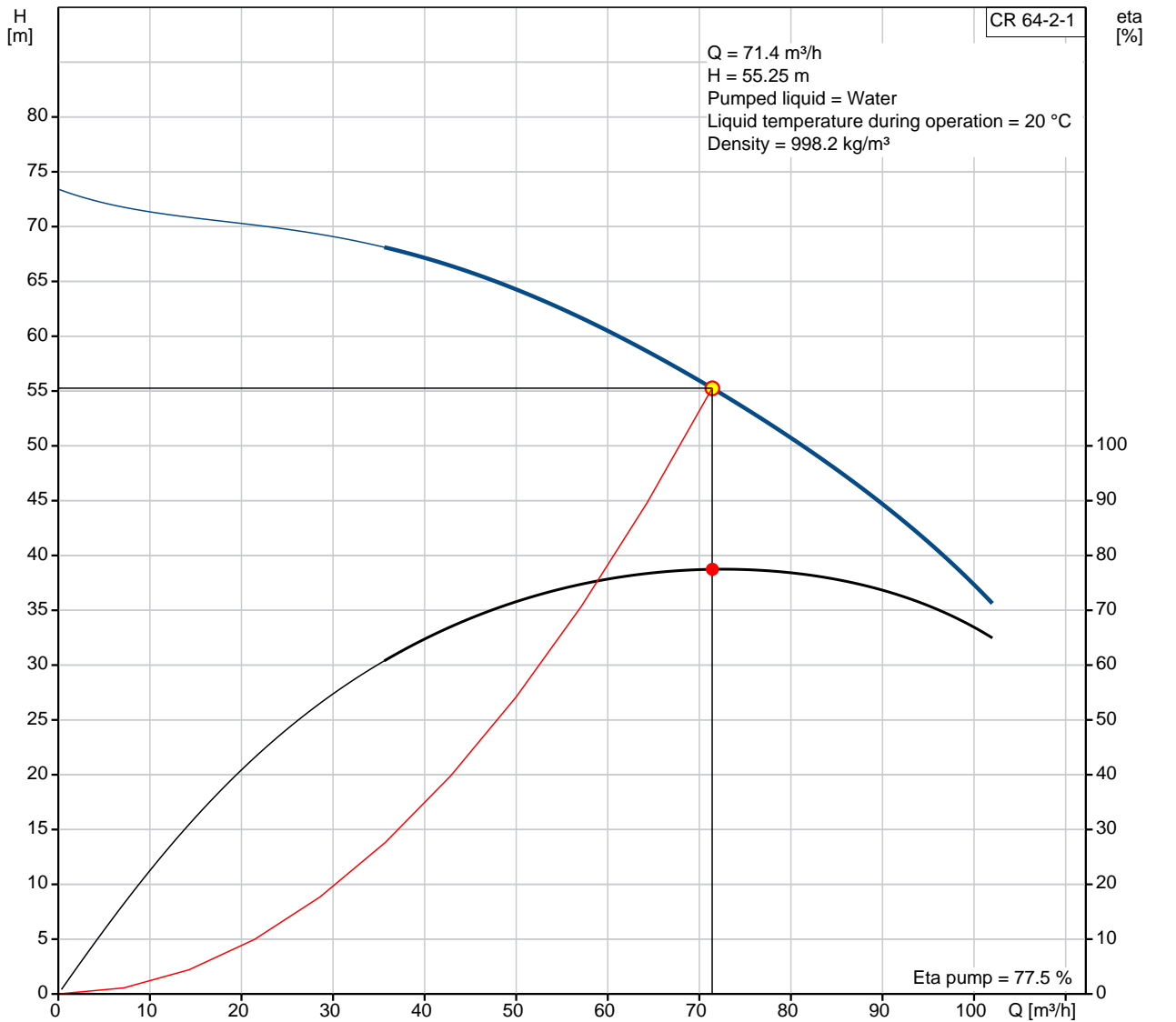
Phone:

Date:

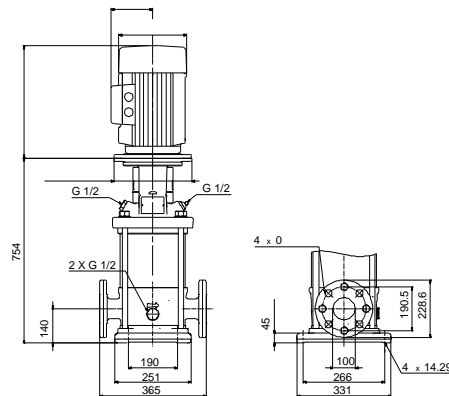
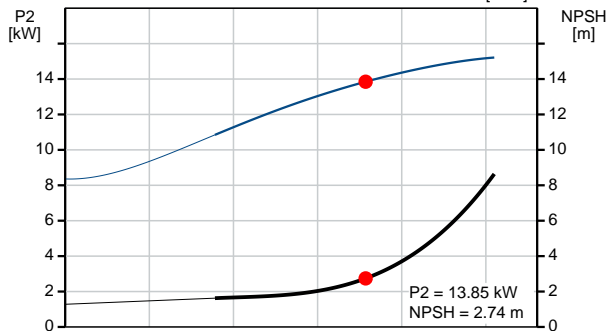
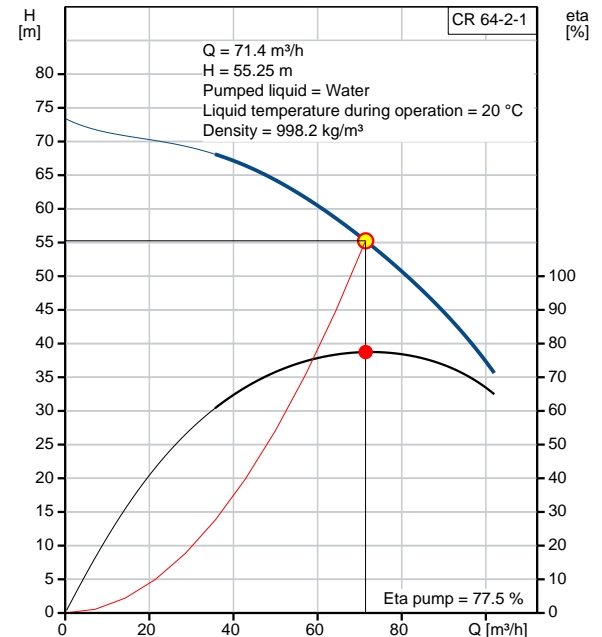
21/02/2018

Position	Qty.	Description
		Flange size for motor: 254TC Flange rating inlet: 150 lb
		<b>Electrical data:</b> Motor standard: NEMA Power (P2) required by pump: 15 kW
		<b>Others:</b> Net weight: 74.5 kg Gross weight: 82.6 kg Shipping volume: 0.309 m <sup>3</sup>

## 96415999 CR 64-2-1 60 Hz



Description	Value
<b>General information:</b>	
Product name:	CR 64-2-1 A-G-A-E-HQQE
Product No:	96415999
EAN number:	5700390655723
<b>Technical:</b>	
Speed for pump data:	3497 rpm
Actual calculated flow:	71.4 m <sup>3</sup> /h
Resulting head of the pump:	55.25 m
Stages:	2
Impellers:	2
Number of reduced-diameter impellers:	1
Low NPSH:	N
Pump orientation:	Vertical
Shaft seal arrangement:	Single
Code for shaft seal:	HQQE
Approvals on nameplate:	NSF61
Curve tolerance:	ISO9906:2012 3B
Pump version:	A
Model:	B
<b>Materials:</b>	
Base:	Cast iron EN 1563 EN-GJS-500-7 ASTM A536 80-55-06
Impeller:	Stainless steel EN 1.4301 AISI 304
Material code:	A
Code for rubber:	E
Bearing material:	SIC
Support bearing:	Graflon
<b>Installation:</b>	
Max pressure at stated temp:	16 bar / 120 °C 16 bar / -30 °C
Type of connection:	ANSI
Connect code:	G
Size of inlet connection:	4 inch
Size of outlet connection:	4 inch
Pressure rating:	PN 16
Flange size for motor:	254TC
Flange rating inlet:	150 lb
<b>Liquid:</b>	
Pumped liquid:	Water
Liquid temperature during operation:	20 °C
Density:	998.2 kg/m <sup>3</sup>
<b>Electrical data:</b>	
Motor standard:	NEMA
Power (P2) required by pump:	15 kW
<b>Controls:</b>	
Frequency converter:	NONE
<b>Others:</b>	
Net weight:	74.5 kg







Company name:

Created by:

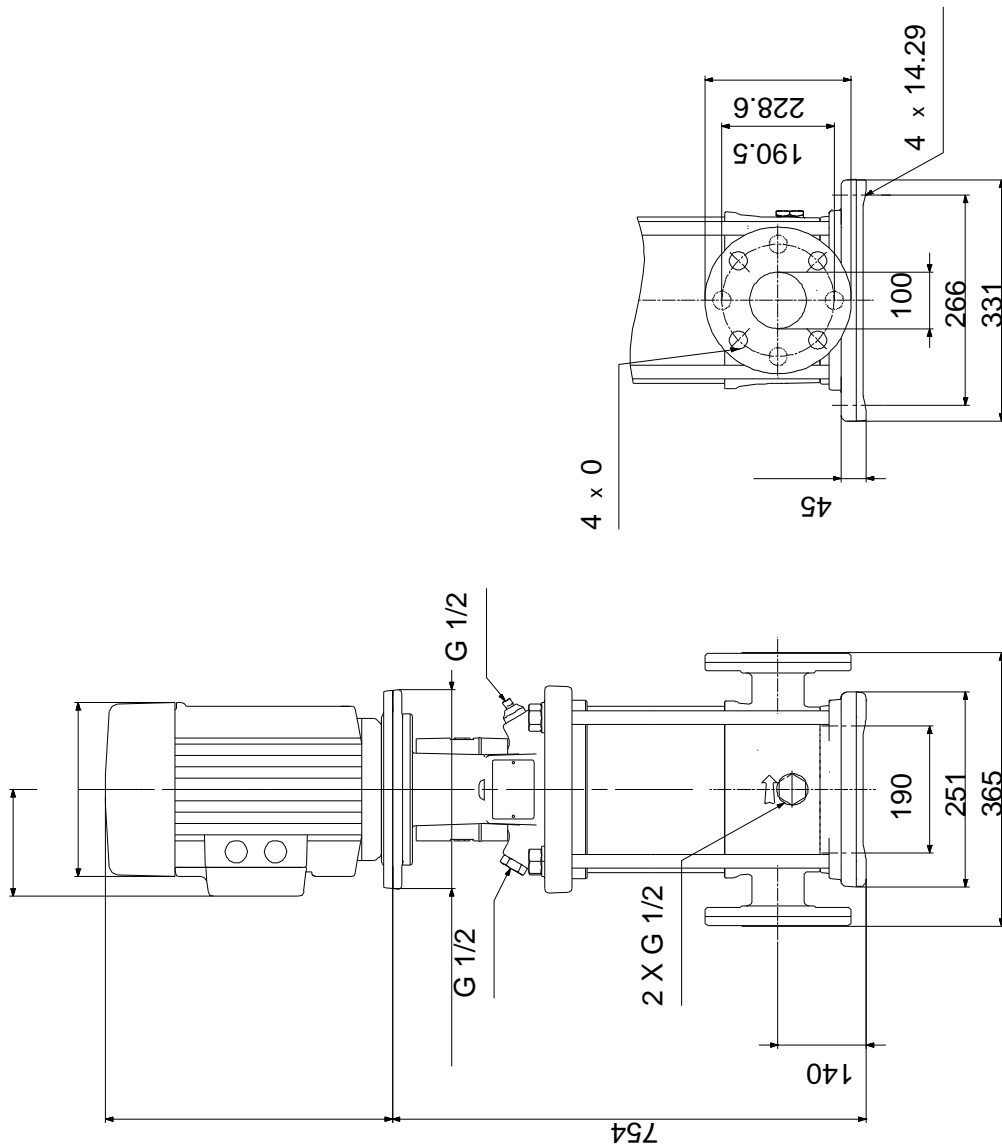
Phone:

Date:

21/02/2018

Description	Value
Gross weight:	82.6 kg
Shipping volume:	0.309 m <sup>3</sup>
Sales region:	Namreg

**96415999 CR 64-2-1 60 Hz**



Note! All units are in [mm] unless others are stated.  
Disclaimer: This simplified dimensional drawing does not show all details.



Company name:

Created by:

Phone:

Date: 21/02/2018

---

**Order Data:**

Product name: CR 64-2-1 A-G-A-E-HQQE

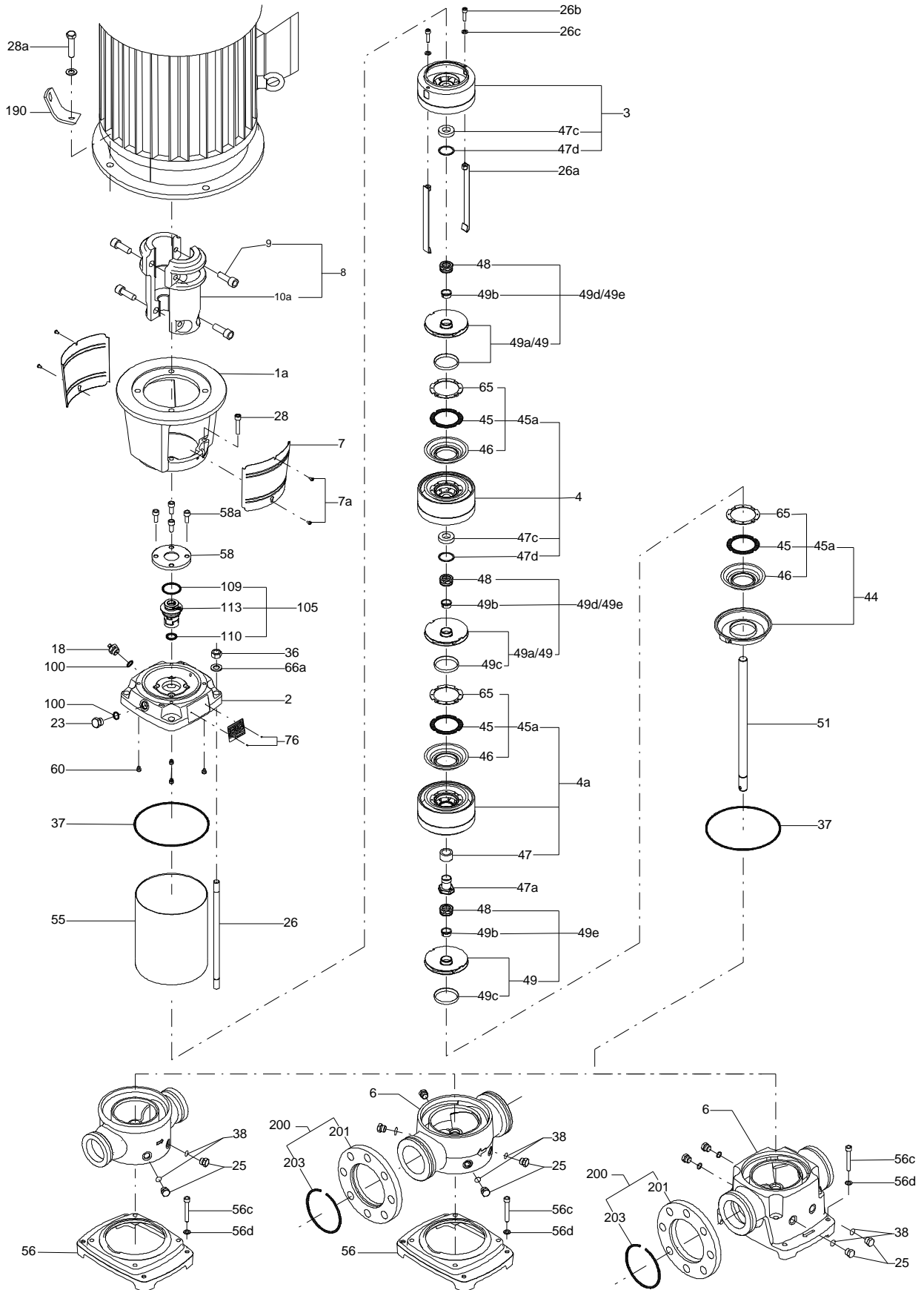
Amount: 1

Product No: 96415999

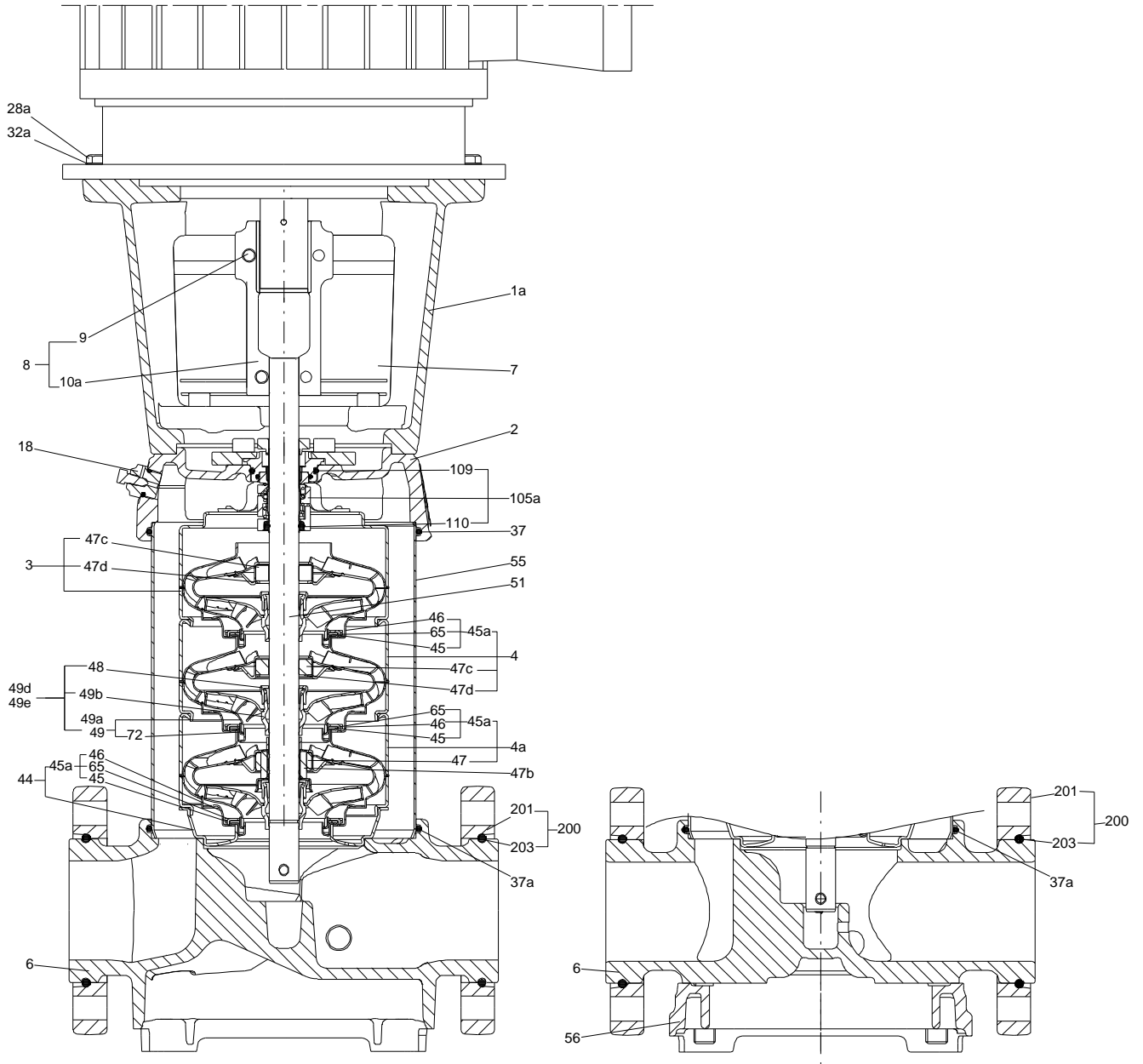
Total: Price on request

---

## Exploded view (TM065558 LACR )



Sectional drawing ( TM065571 LACR)



**Parts list CR 64-2-1, Product No. 96415999**  
**Valid from 3.3.2014 (1410)**

Pos	Description	Annotation	Classification Data	Part no.	Qty.	Unit
	Hex head screw				1	pcs
	Washer				1	pcs
-	Flange cpl.				2	pcs
201	Flange		Pressure: 150-4 Dimension: 229X25		1	
203	Lock ring				1	
-	Motor stool cpl.				1	pcs
1a	Motor stool				1	
7	Coupling guard				2	
7a	Socket button head screw				4	
28	Hex socket head cap screw		Designation: DIN 912 Length (mm): 50 Thread: M10		4	
28a	Hex socket head cap screw		Length (mm): 13 Thread: 1/2"		4	
	Quick guide				1	pcs
	Shaft end				1	pcs
	Bar				1	pcs
	Spring lock washer				1	pcs
- 1	Basic unit				1	pcs
- 2a	Pump head cpl.				1	
	O-ring					
2a	Pump head					
9	Hex socket head cap screw		Designation: DIN 912 Length (mm): 25 Thread: M10			
- 18	Air vent screw					
	Plug					
	Spindle					
23	Plug					
58	Cover					
60	Spring					
100	O-ring		Diameter: 16,3 Material type: EPDM Thickness: 2,4			
- 6b	Base cpl.		Rubber type: EPDM		1	
	O-ring					
6	Base					
25	Plug					
32	Washer		Designation: DIN 125A Internal diameter: 6,4 Outer diameter: 12,0 Thickness: 1,6			
38	O-ring		Diameter: 16,3 Material type: EPDM Thickness: 2,4			
26	Staybolt		Length (mm): 333 Thread: M16		4	
36	Hex nut		Thread: M16		4	
55	Outer sleeve		Outer diameter: 216,0 Length (mm): 188,5		1	
66a	Washer		Designation: DIN 125 A Internal diameter: 17		4	

Pos	Description	Annotation	Classification Data	Part no.	Qty.	Unit
			Outer diameter: 30			
			Thickness: 3			
- 80	Chamber stack				1	
- 3	Upper chamber cpl.					
	Chamber					
	Guide vane					
	Cone					
	Guide cup					
	Guide cup					
3	Upper chamber cpl.					
47c	Bush					
47d	Lock ring					
- 4a	Intermediate chamber cpl.					
	Chamber					
	Chamber					
	Guide vane					
	Cone					
	Guide cup					
	Guide cup					
- 45a	Neck ring cpl.					
	Neck ring					
45	Seal ring					
65	Top f/neck ring					
47	Bearing					
26a	Strap cpl.		Length (mm): 174,5			
			Thread: M8			
26b	Hex socket head cap screw					
26c	Washer		Designation: DIN 125A			
			Internal diameter: 8,4			
			Outer diameter: 16			
			Thickness: 1,6			
- 44	Suction interconnector cpl.					
	Neck ring					
	Inlet part					
45	Seal ring					
65	Top f/neck ring					
- 47a	Bearing cpl.					
	Disc spring					
	Bearing ring, rotating					
	Holder					
	Driver					
- 49d	Impeller cpl. reduced diameter					
48	Nut					
- 49a	Impeller, reduced diameter					
	Impeller hub					
49c	Wear ring					
49b	Split cone					
- 49e	Impeller cpl.					
48	Nut					
- 49	Impeller					
	Impeller hub					
49c	Wear ring					
49b	Split cone					
51	Shaft					
- 8	Coupling cpl.		Dimension: 22/41,2		1	pcs
9	Hex socket head cap screw		Designation: DIN 912		4	
			Length (mm): 25			
			Thread: M10			
10a	Coupling half				2	



Company name:

Created by:

Phone:

Date: 21/02/2018

Pos	Description	Annotation	Classification Data	Part no.	Qty.	Unit
36	Hex nut				2	pcs
- 105	Shaft seal		Material type: HQQE		1	pcs
	Adjusting fork				1	
109	O-ring				1	
110	O-ring		Diameter: 21,5		1	
			Material type: EPDM			
			Thickness: 4,25			