

PROJECT: _____	UNIT TAG: _____	QUANTITY: _____
REPRESENTATIVE: _____	TYPE OF SERVICE: _____	DATE: _____
ENGINEER: _____	SUBMITTED BY: _____	DATE: _____
CONTRACTOR: _____	APPROVED BY: _____	DATE: _____
	ORDER NO.: _____	DATE: _____

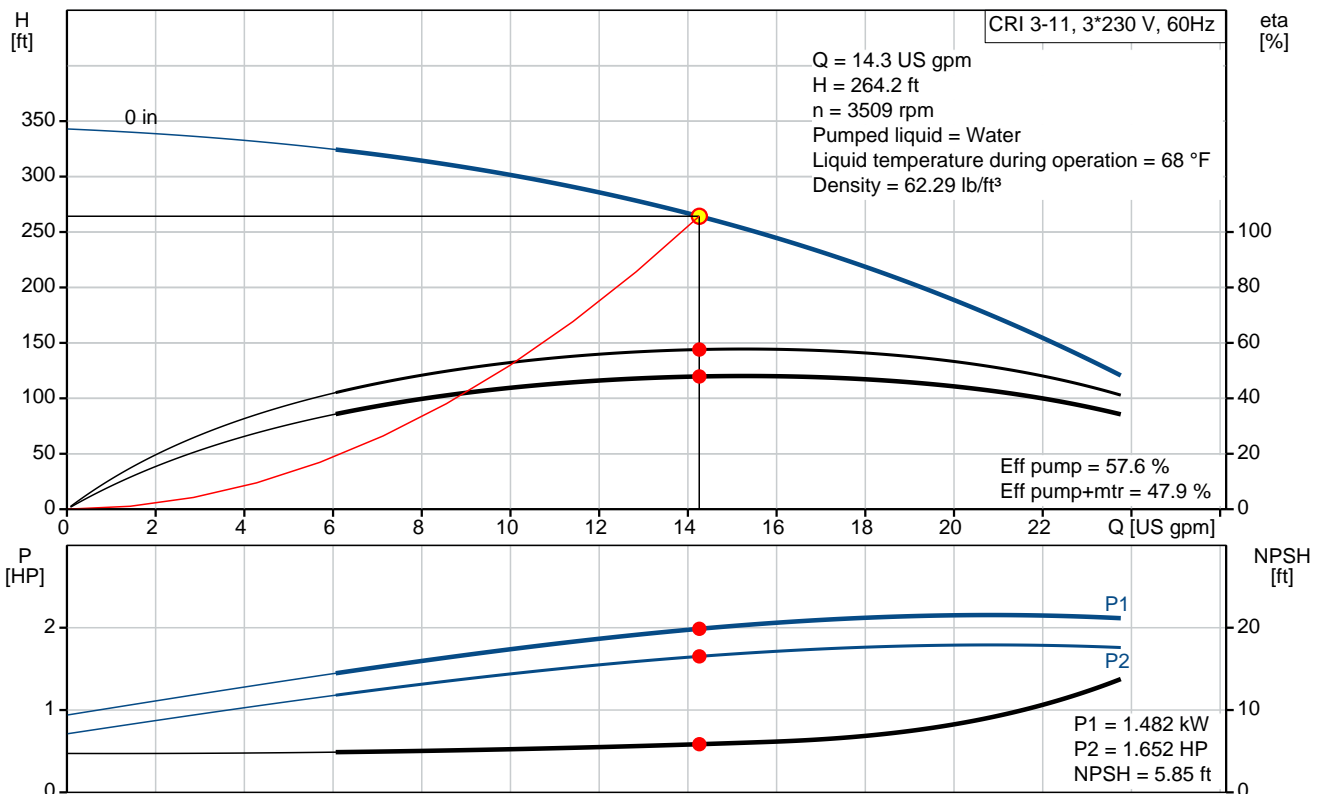


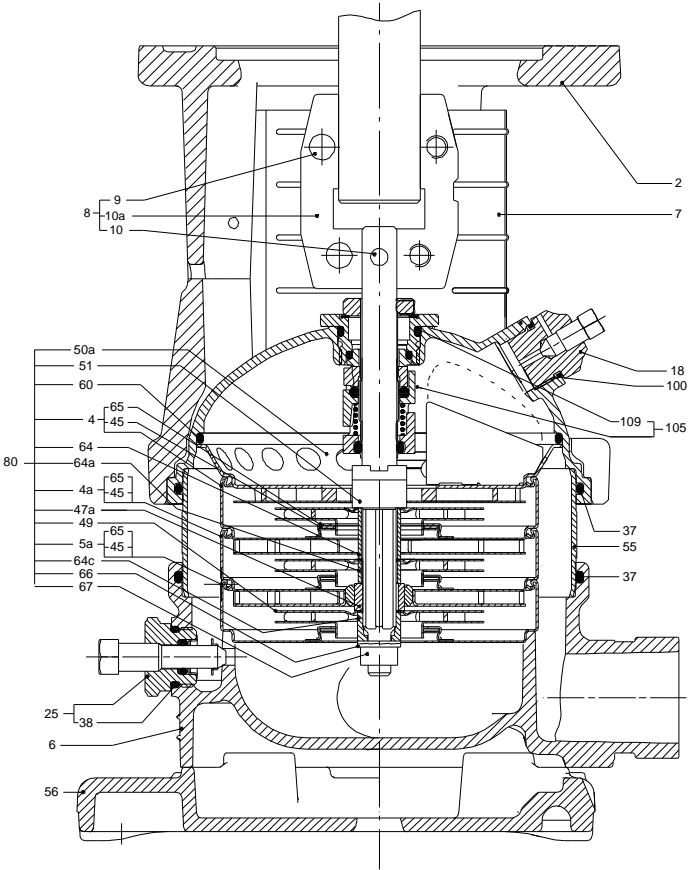
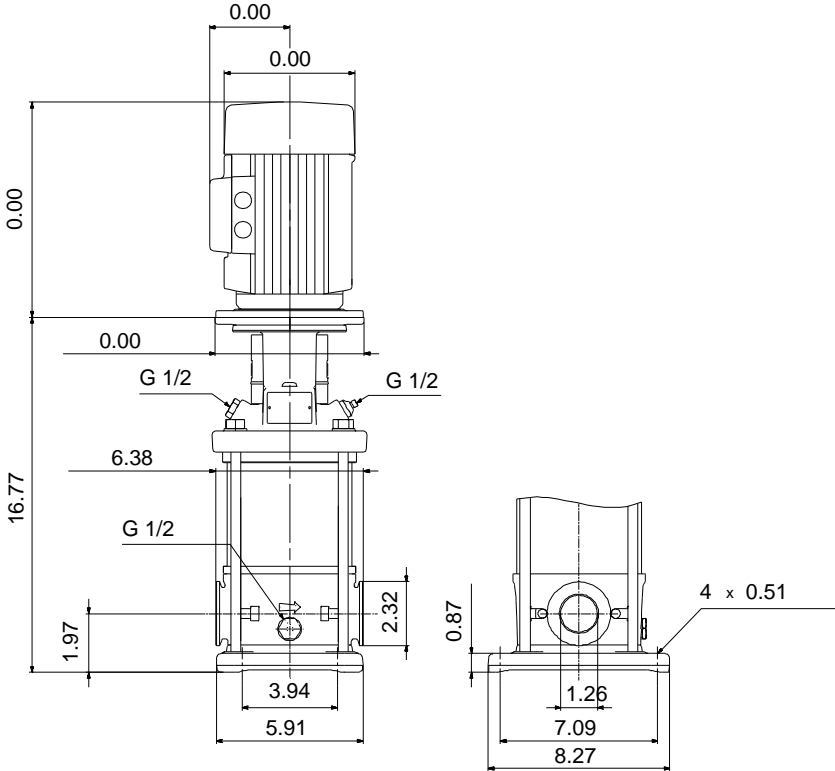
CRI 3-11

Vertical, multistage centrifugal pump with suction and discharge ports on the same level. The pump head and base are in cast iron. All wetted parts are in stainless steel (EN 1.4301) (AISI 304)

Product photo could vary from the actual product

Conditions of Service		Pump Data		Motor Data	
Flow:	14.3 US gpm	Max pressure at stated temperature:	363 psi / 194 °F	Rated power - P2:	2 HP
Head:	264.2 ft	Maximum ambient temperature:	140 °F	Rated voltage:	208-230YY/460Y V
Efficiency:	47.9 %	Approvals:	CURUS	Main frequency:	60 Hz
Liquid:	Water	Shaft seal:	HQQV	Enclosure class:	55 Dust/Jetting
Temperature:	68 °F	Product number:	96083488	Insulation class:	F
NPSH required:	5.85 ft			Motor protection:	NONE
Viscosity:	_____			Motor type:	90CC
Specific Gravity:	1.000			Motor_efficiency:	85.5 %





Materials:
 Base: Stainless steel
 EN 1.4408
 AISI 316
 Impeller: Stainless steel
 AISI 304
 EN 1.4301
 Material code: I
 Code for rubber: V

Tender Text



Product No.: [96083488](#)

CRI 3-11 A-CA-I-V-HQQV

Vertical, non-self-priming, multistage, in-line, centrifugal pump for installation in pipe systems and mounting on a foundation.

The pump has the following characteristics:

- Impellers, intermediate chambers and outer sleeve are made of
 - Pump head cover and base are made of
 - The shaft seal has assembly length according to EN 12756.
 - Power transmission is via cast iron split coupling.
- flanges/couplings.

The motor is a 3-phase AC motor.

Controls:

Frequency converter: NONE

Liquid:

Pumped liquid: Water
Liquid temperature during operation: 68 °F
Density: 62.29 lb/ft³

Technical:

Speed for pump data: 3452 rpm
Actual calculated flow: 14.3 US gpm
Resulting head of the pump: 264.2 ft
Pump orientation: Vertical
Shaft seal arrangement: Single
Code for shaft seal: HQQV
Approvals on nameplate: CURUS
Curve tolerance: ISO9906:2012 3B

Materials:

Base: Stainless steel
EN 1.4408
AISI 316
Impeller: Stainless steel
EN 1.4301
AISI 304
Bearing material: SIC

Installation:

Maximum ambient temperature: 140 °F
Max pressure at stated temperature: 363 psi / 194 °F



Company name:

Created by:

Phone:

Date:

2/20/2018


363 psi / -4 °F
Type of connection: FlexiClamp
Size of inlet connection: DN 32
Size of suction port: 1 1/4 inch
Size of outlet connection: DN 32
Size of outlet port: 1 1/4 inch
Pressure rating: PN 25
Flange size for motor: 56C

Electrical data:

Motor standard: NEMA
Motor type: 90CC
IE Efficiency class: NEMA Premium / IE3 60Hz
Rated power - P2: 2 HP
Power (P2) required by pump: 2 HP
Main frequency: 60 Hz
Rated voltage: 3 x 208-230YY/460Y V
Service factor: 1,15
Rated current: 5,70-5,40/2,70 A
Starting current: 810-900 %
Cos phi - power factor: 0,88-0,84
Rated speed: 3480-3510 rpm
IE efficiency: IE3 85,5%
Motor efficiency at full load: 85.5 %
Motor efficiency at 3/4 load: 85.0 %
Motor efficiency at 1/2 load: 83.0 %
Number of poles: 2
Enclosure class (IEC 34-5): 55 Dust/Jetting
Insulation class (IEC 85): F

Others:

Net weight: 71.8 lb
Gross weight: 82.8 lb
Shipping volume: 6.11 ft³

Position	Count	Description
	1	<p>CRI 3-11 A-CA-I-V-HQQV</p>  <p>Product No.: 96083488 Vertical, non-self-priming, multistage, in-line, centrifugal pump for installation in pipe systems and mounting on a foundation.</p> <p>The pump has the following characteristics:</p> <ul style="list-style-type: none"> - Impellers, intermediate chambers and outer sleeve are made of - Pump head cover and base are made of - The shaft seal has assembly length according to EN 12756. - Power transmission is via cast iron split coupling flanges/couplings. <p>The motor is a 3-phase AC motor.</p> <p>Controls: Frequency converter: NONE</p> <p>Liquid: Pumped liquid: Water Liquid temperature during operation: 68 °F Density: 62.29 lb/ft³</p> <p>Technical: Speed for pump data: 3452 rpm Actual calculated flow: 14.3 US gpm Resulting head of the pump: 264.2 ft Pump orientation: Vertical Shaft seal arrangement: Single Code for shaft seal: HQQV Approvals on nameplate: CURUS Curve tolerance: ISO9906:2012 3B</p> <p>Materials: Base: Stainless steel EN 1.4408 AISI 316 Impeller: Stainless steel EN 1.4301 AISI 304 Bearing material: SIC</p> <p>Installation: Maximum ambient temperature: 140 °F Max pressure at stated temperature: 363 psi / 194 °F 363 psi / -4 °F</p>



Company name:

Created by:

Phone:

Date:

2/20/2018

Position	Count	Description
		Type of connection: FlexiClamp Size of inlet connection: DN 32 Size of suction port: 1 1/4 inch Size of outlet connection: DN 32 Size of outlet port: 1 1/4 inch Pressure rating: PN 25 Flange size for motor: 56C Electrical data: Motor standard: NEMA Motor type: 90CC IE Efficiency class: NEMA Premium / IE3 60Hz Rated power - P2: 2 HP Power (P2) required by pump: 2 HP Main frequency: 60 Hz Rated voltage: 3 x 208-230YY/460Y V Service factor: 1,15 Rated current: 5,70-5,40/2,70 A Starting current: 810-900 % Cos phi - power factor: 0,88-0,84 Rated speed: 3480-3510 rpm IE efficiency: IE3 85,5% Motor efficiency at full load: 85.5 % Motor efficiency at 3/4 load: 85.0 % Motor efficiency at 1/2 load: 83.0 % Number of poles: 2 Enclosure class (IEC 34-5): 55 Dust/Jetting Insulation class (IEC 85): F Others: Net weight: 71.8 lb Gross weight: 82.8 lb Shipping volume: 6.11 ft ³



Company name:

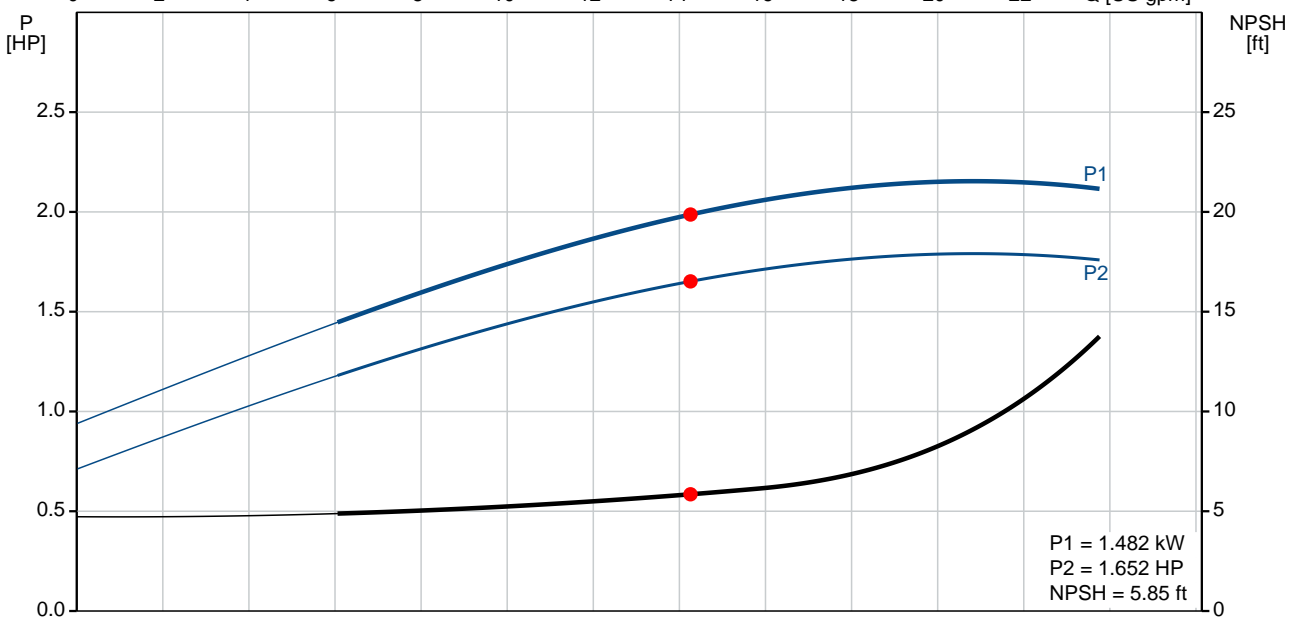
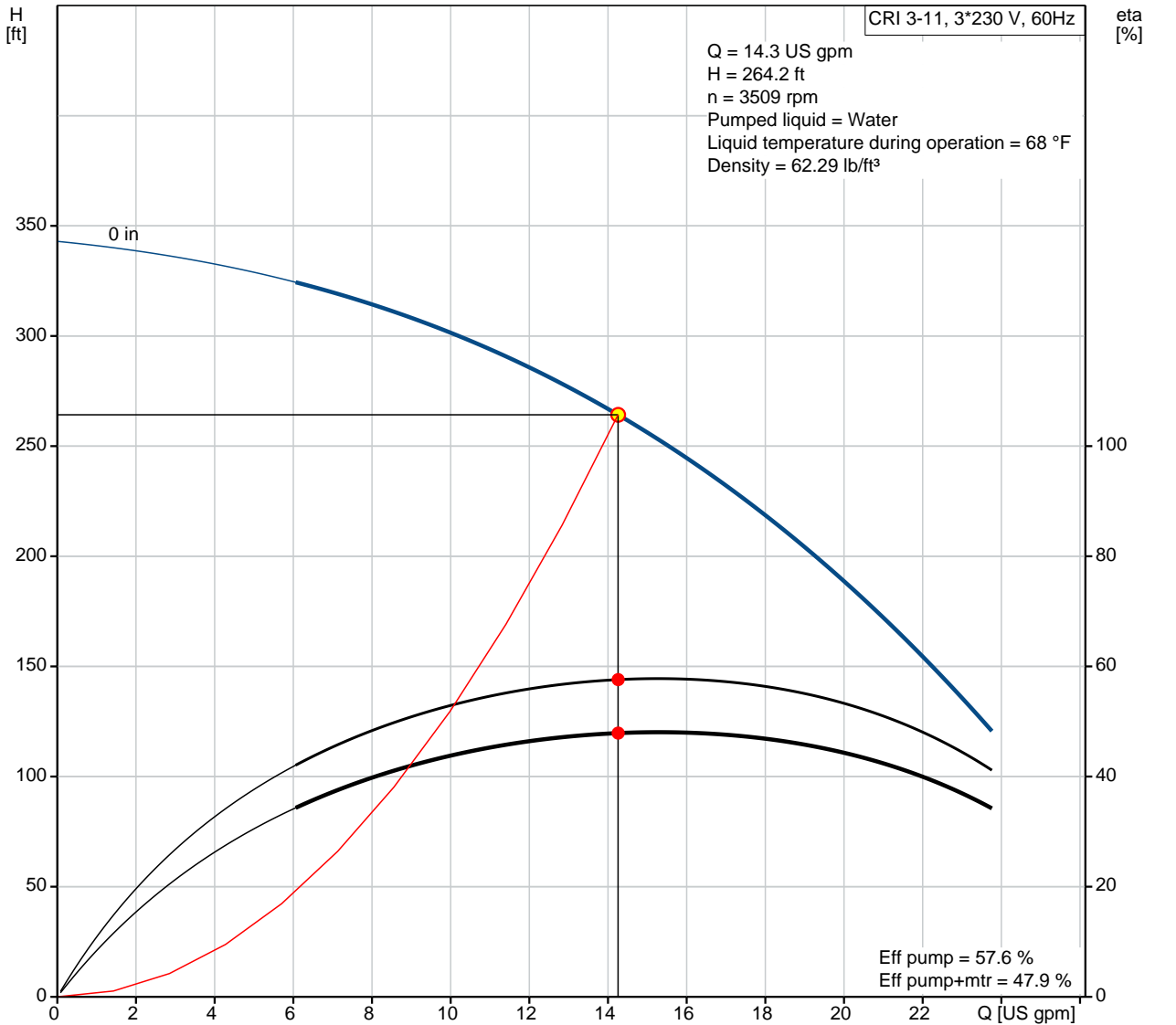
Created by:

Phone:

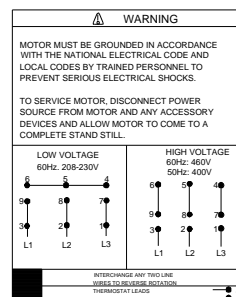
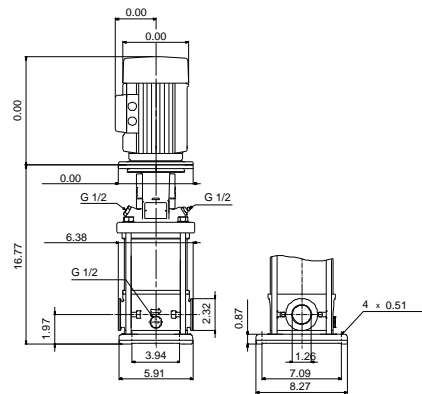
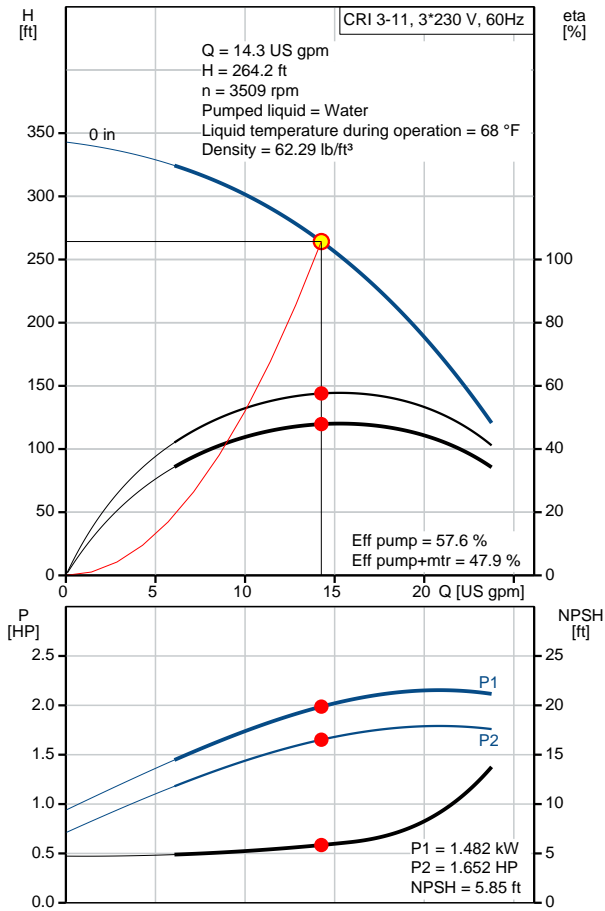
Date:

2/20/2018

96083488 CRI 3-11 60 Hz



Description	Value
General information:	
Product name:	CRI 3-11 A-CA-I-V-HQQV
Product No.:	96083488
EAN:	5700395186864
Technical:	
Speed for pump data:	3452 rpm
Actual calculated flow:	14.3 US gpm
Resulting head of the pump:	264.2 ft
Stages:	11
Impellers:	11
Low NPSH:	N
Pump orientation:	Vertical
Shaft seal arrangement:	Single
Code for shaft seal:	HQQV
Approvals on nameplate:	CURUS
Curve tolerance:	ISO9906:2012 3B
Pump version:	A
Model:	A
Cooling:	TEFC
Materials:	
Base:	Stainless steel
	EN 1.4408
	AISI 316
Impeller:	Stainless steel
	EN 1.4301
	AISI 304
Material code:	I
Code for rubber:	V
Bearing material:	SIC
Installation:	
Maximum ambient temperature:	140 °F
Max pressure at stated temperature:	363 psi / 194 °F
	363 psi / -4 °F
Type of connection:	FlexiClamp
Connect code:	CA
Size of inlet connection:	DN 32
Size of suction port:	1 1/4 inch
Size of outlet connection:	DN 32
Size of outlet port:	1 1/4 inch
Pressure rating:	PN 25
Flange size for motor:	56C
Liquid:	
Pumped liquid:	Water
Liquid temperature during operation:	68 °F
Density:	62.29 lb/ft ³
Electrical data:	
Motor standard:	NEMA
Motor type:	90CC
IE Efficiency class:	NEMA Premium / IE3 60Hz
Rated power - P2:	2 HP
Power (P2) required by pump:	2 HP
Main frequency:	60 Hz
Rated voltage:	3 x 208-230YY/460Y V
Service factor:	1,15





Company name:

Created by:

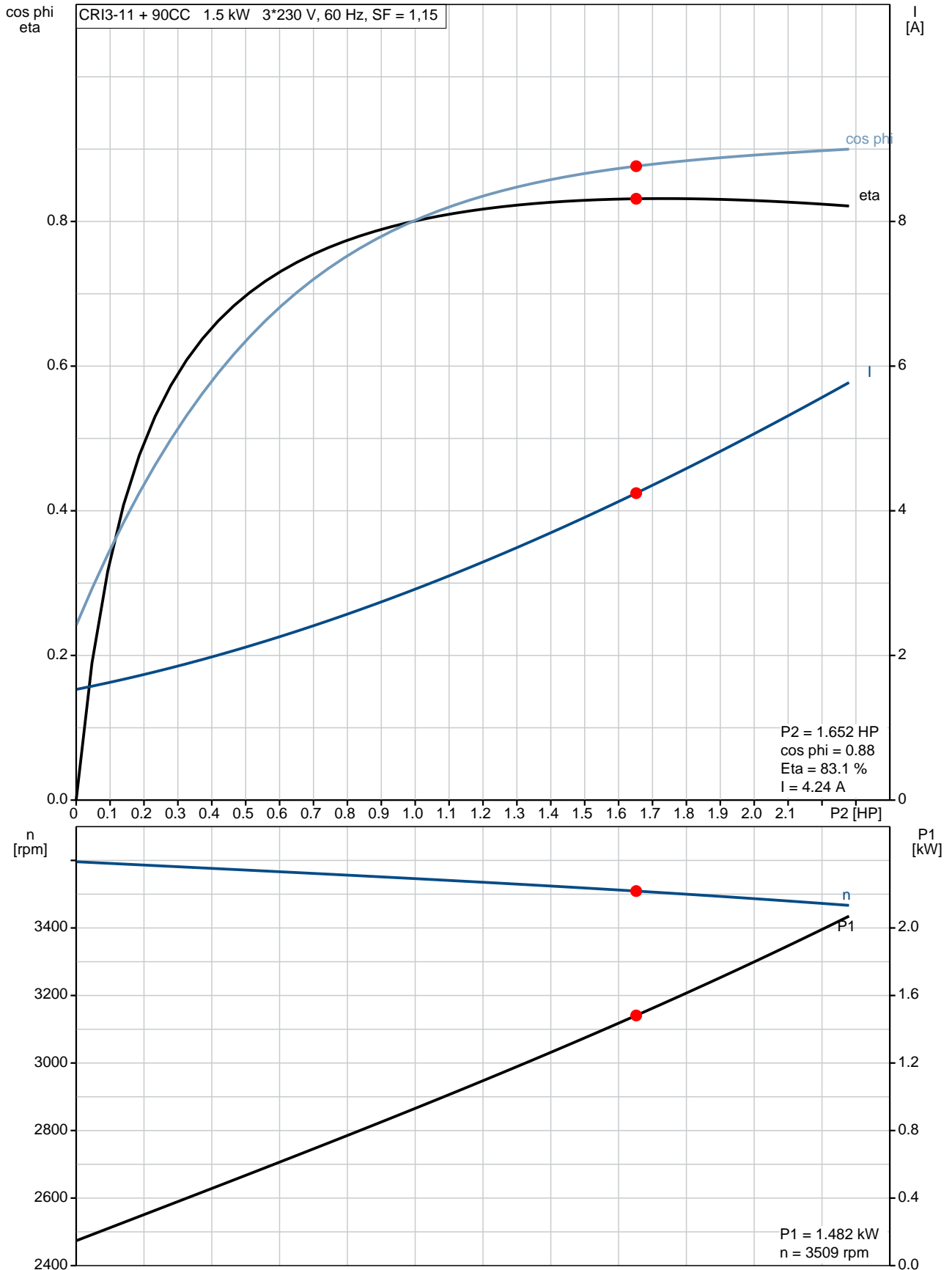
Phone:

Date:

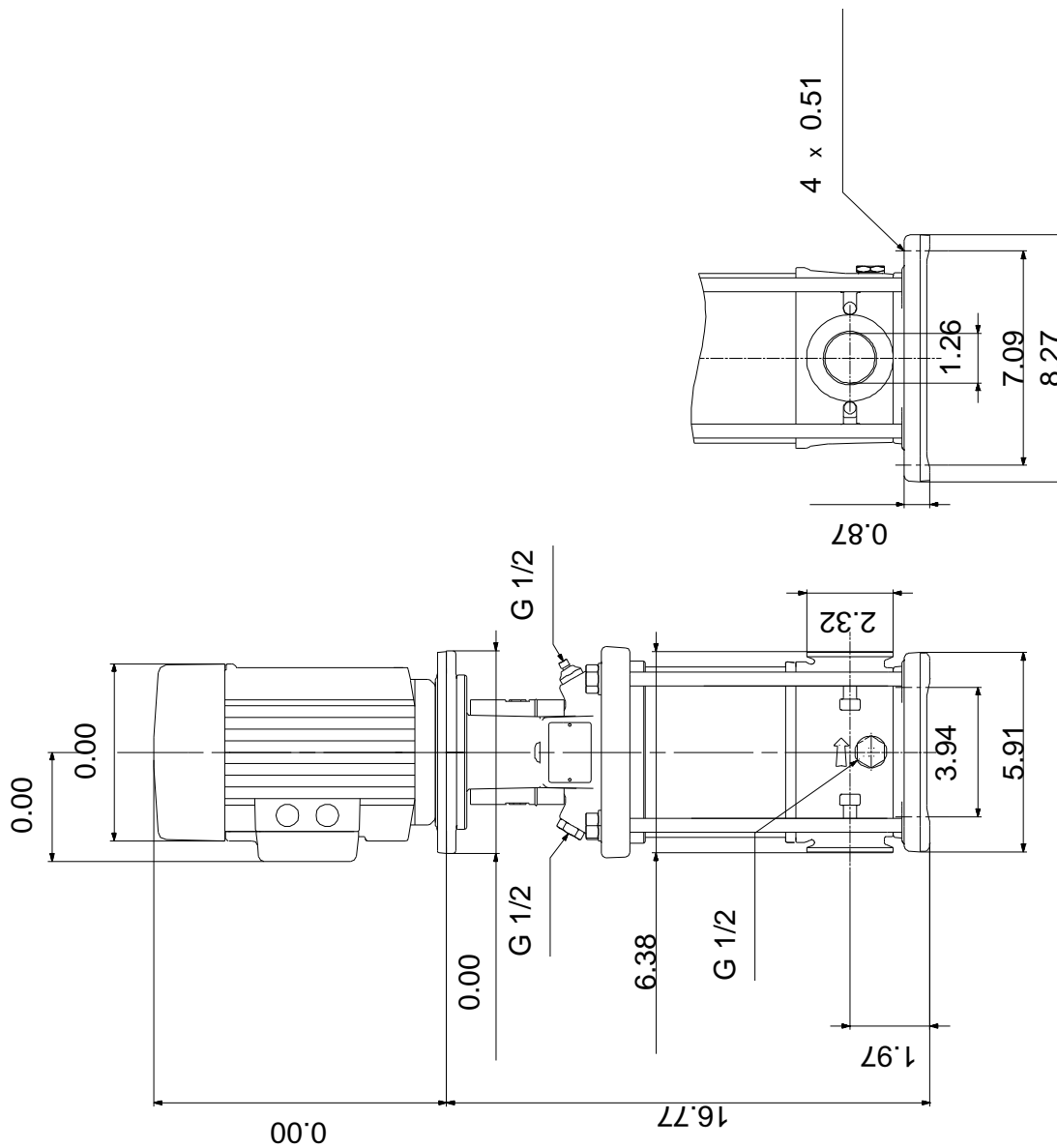
2/20/2018

Description	Value
Rated current:	5,70-5,40/2,70 A
Starting current:	810-900 %
Load current:	6,55-6,1/3,05 A
Cos phi - power factor:	0,88-0,84
Rated speed:	3480-3510 rpm
IE efficiency:	IE3 85,5%
Motor efficiency at full load:	85.5 %
Motor efficiency at 3/4 load:	85.0 %
Motor efficiency at 1/2 load:	83.0 %
Number of poles:	2
Enclosure class (IEC 34-5):	55 Dust/Jetting
Insulation class (IEC 85):	F
Motor protection:	NONE
Motor Number:	85900705
Controls:	
Frequency converter:	NONE
Others:	
Net weight:	71.8 lb
Gross weight:	82.8 lb
Shipping volume:	6.11 ft ³

96083488 CRI 3-11 60 Hz



96083488 CRI 3-11 60 Hz



Note! All units are in [mm] unless otherwise stated.
Disclaimer: This simplified dimensional drawing does not show all details.

96083488 CRI 3-11 60 Hz



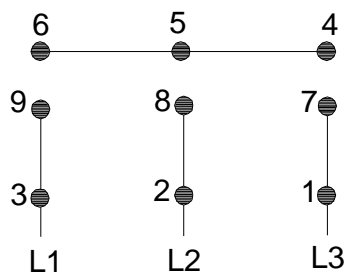
WARNING

MOTOR MUST BE GROUNDED IN ACCORDANCE WITH THE NATIONAL ELECTRICAL CODE AND LOCAL CODES BY TRAINED PERSONNEL TO PREVENT SERIOUS ELECTRICAL SHOCKS.

TO SERVICE MOTOR, DISCONNECT POWER SOURCE FROM MOTOR AND ANY ACCESSORY DEVICES AND ALLOW MOTOR TO COME TO A COMPLETE STAND STILL.

LOW VOLTAGE

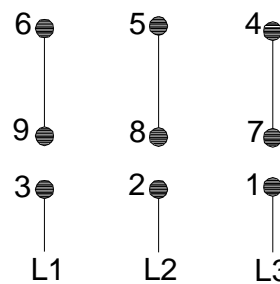
60Hz. 208-230V



HIGH VOLTAGE

60Hz: 460V

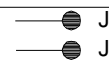
50Hz: 400V



96569464

INTERCHANGE ANY TWO LINE WIRES TO REVERSE ROTATION

THERMOSTAT LEADS (WHEN PROVIDED)





Company name:

Created by:

Phone:

Date: 2/20/2018

Order Data:

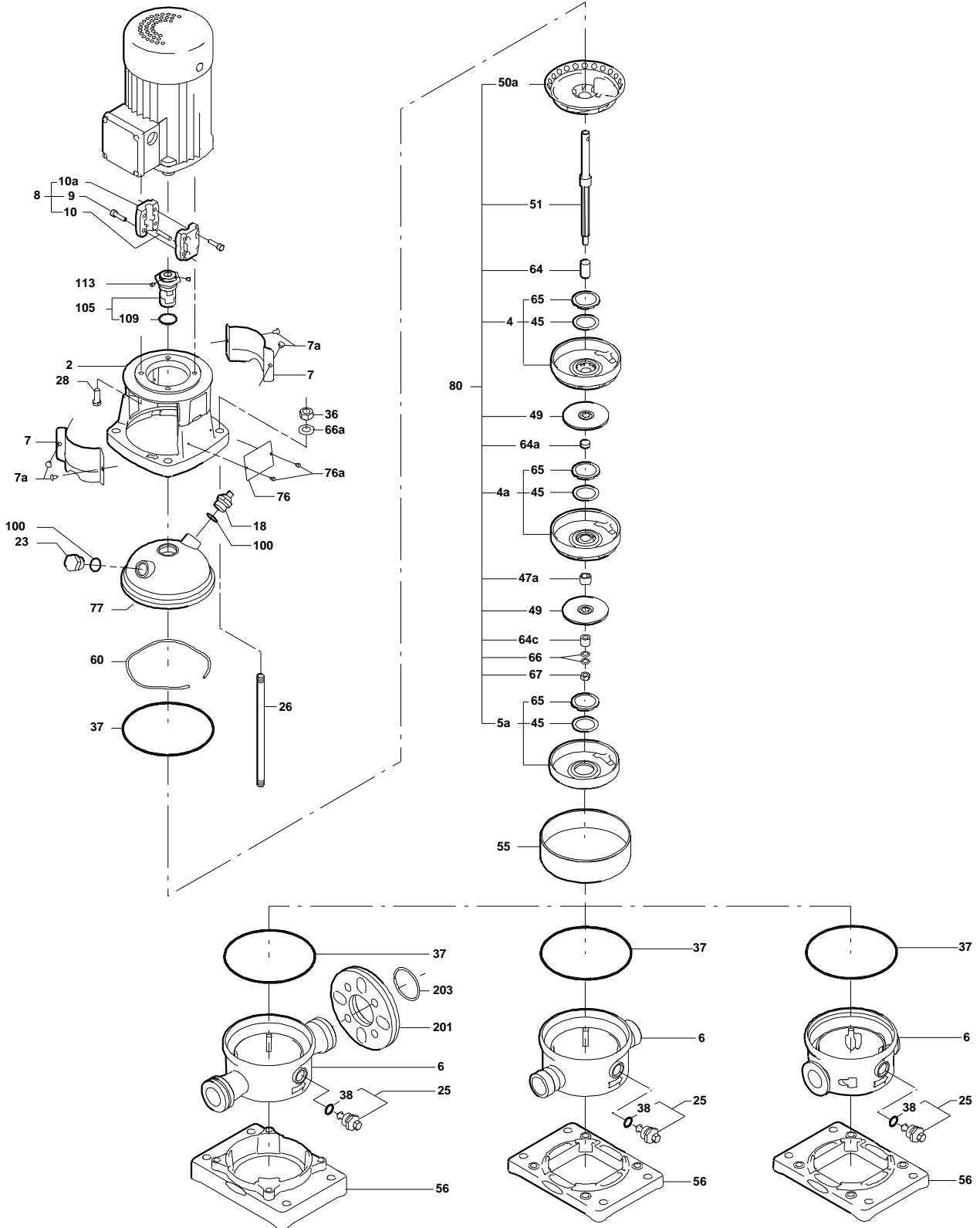
Product name: CRI 3-11 A-CA-I-V-HQQV

Amount: 1

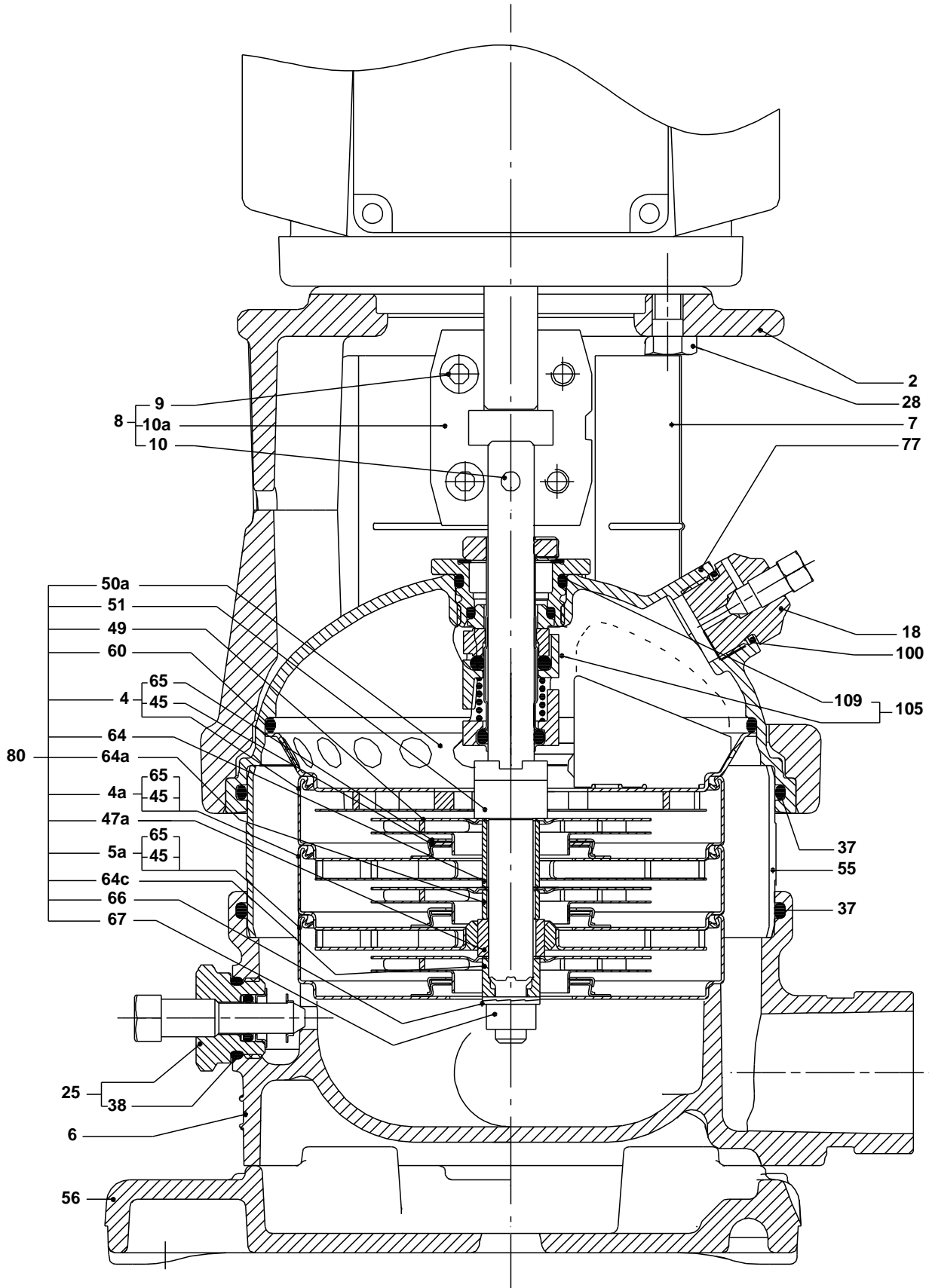
Product No.: 96083488

Total: Price on request

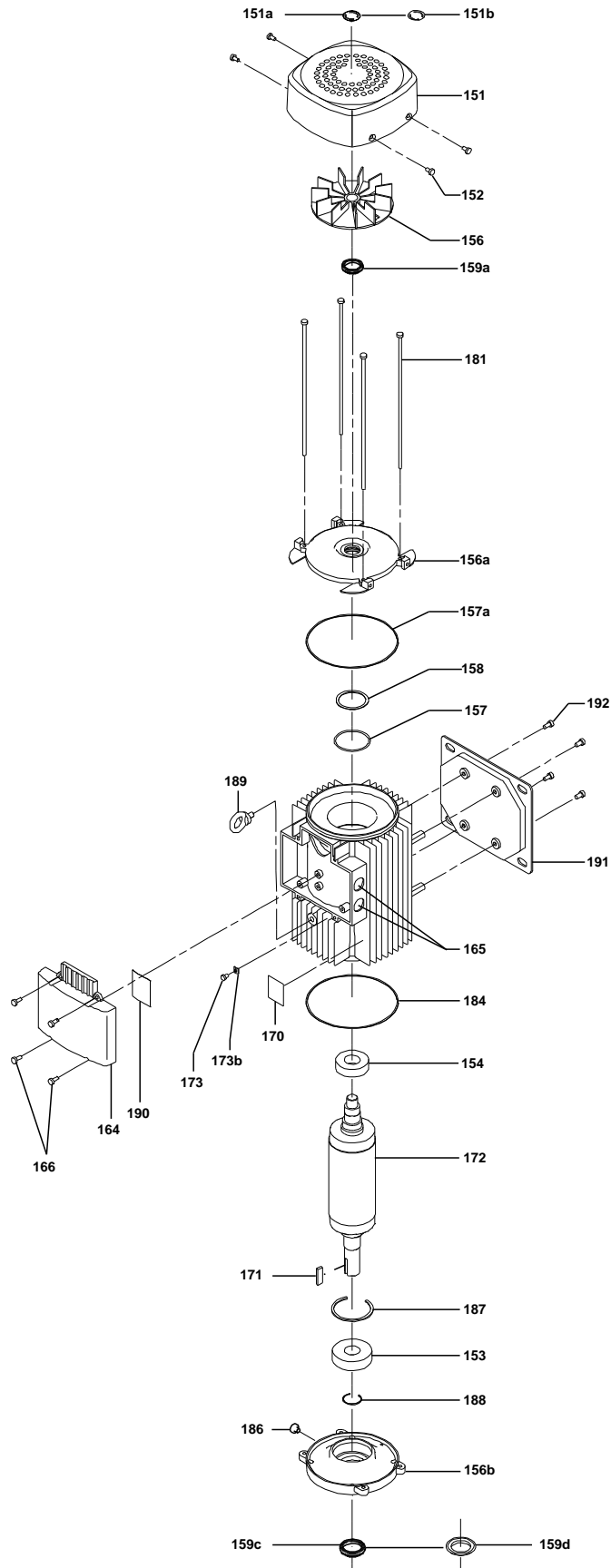
Exploded view (TM02 0212 4100)



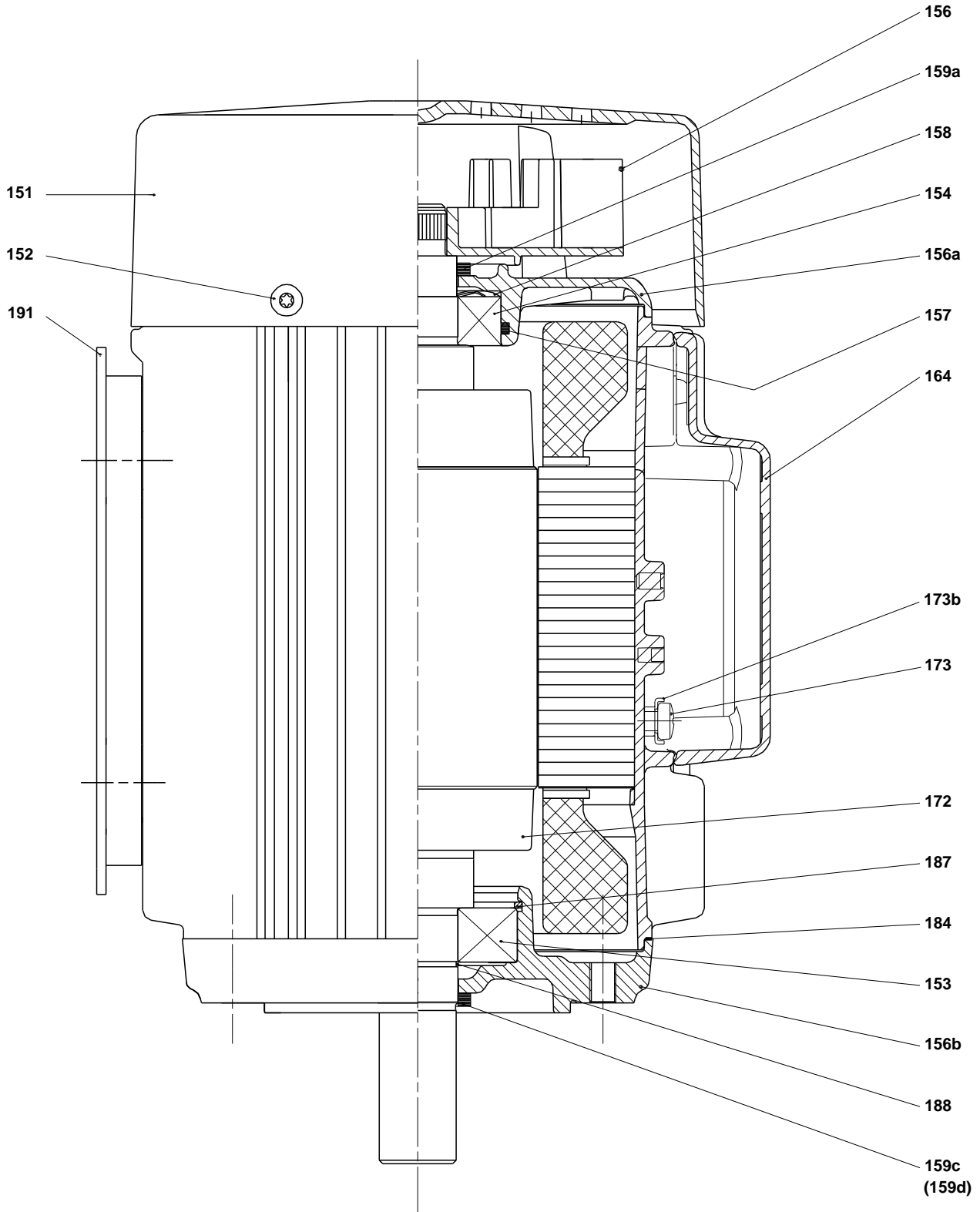
Sectional drawing (TM02 0215 4100)



Exploded view (tm030553)



Sectional drawing (TM031465)



Parts list CRI 3-11, Prod number 96083488

Valid from 10.1.2005 (0503)

Position	Description	Annotation	Classification data	Part No.	Count	Unit
	Motor				1	pcs
+	Motor				1	pcs
+	Base cpl.				1	pcs
-	Sealing parts				1	pcs
- 25	Drain plug w/bypass valve				1	
38	O-ring		Diameter: 16,3			
			Material type: FKM			
			Thickness: 2,4			
37	O-ring		Diameter: 137,5		2	
			Material type: FKM			
			Thickness: 3,3			
100	O-ring		Diameter: 16,3		2	
			Material type: FKM			
			Thickness: 2,4			
- 2	Pump head cpl.				1	pcs
2	Motor stool				1	
7	Coupling guard				2	
7a	Thread cutting screw				4	
- 18	Air vent screw				1	
	Plug					
	Spindle					
- 25	Drain plug				1	
23	Pipe plug					
25	Drain plug					
28	Hex head cap screw		Length: 25		4	
			Thread: UNC 3/8"			
60	Formed wire spring				1	
77	Pump cover				1	
+ 8	Coupling cpl.				1	pcs
26	Staybolt		Length: 292		4	pcs
			Thread: M12			
36a	Washer		Designation: DIN 125 A		4	pcs
			Inner diameter: 13			
			Outer diameter: 24			
			Thickness: 2,5			
55	Outer sleeve				1	pcs
66a	Nut		Thread: M12		4	pcs
+ 80	Chamber stack				1	pcs
- 105	Shaft seal		Material type: HQQV		1	pcs
	O-ring				1	
	O-ring				1	
	O-ring				1	
	Seal driver, upper				1	
	Seal driver, lower				1	
	Spacer ring				1	
	Pipe				1	
	Plug				1	
	Plug				1	
	Compression spring				1	
	Socket set screw				3	
103	Seal ring, stationary				1	
105	Seal ring, rotating				1	
109	O-ring				1	



Company name:

Created by:

Phone:

Date: 2/20/2018

Position	Description	Annotation	Classification data	Part No.	Count	Unit
113	Driver				1	