

PROJECT: _____	UNIT TAG: _____	QUANTITY: _____
REPRESENTATIVE: _____	TYPE OF SERVICE: _____	DATE: _____
ENGINEER: _____	SUBMITTED BY: _____	DATE: _____
CONTRACTOR: _____	APPROVED BY: _____	DATE: _____
	ORDER NO.: _____	DATE: _____

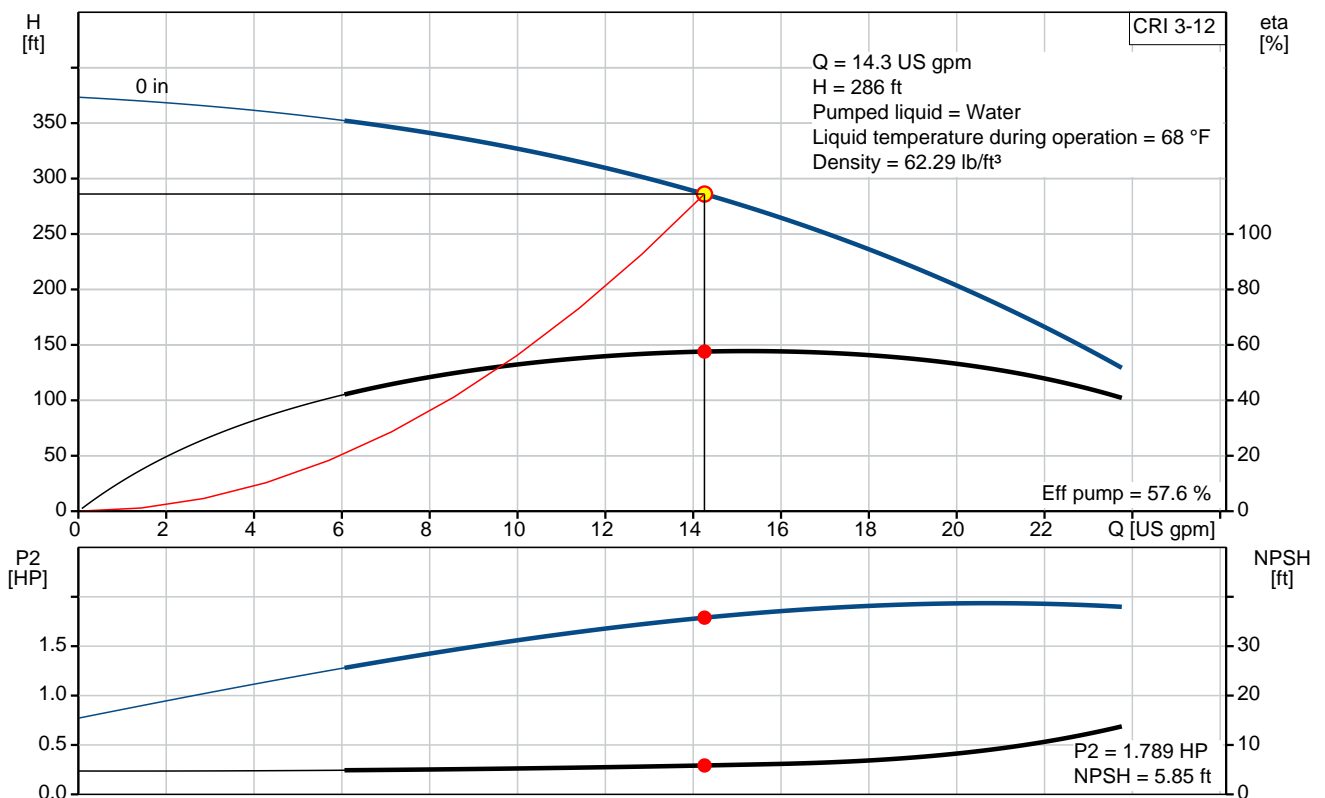


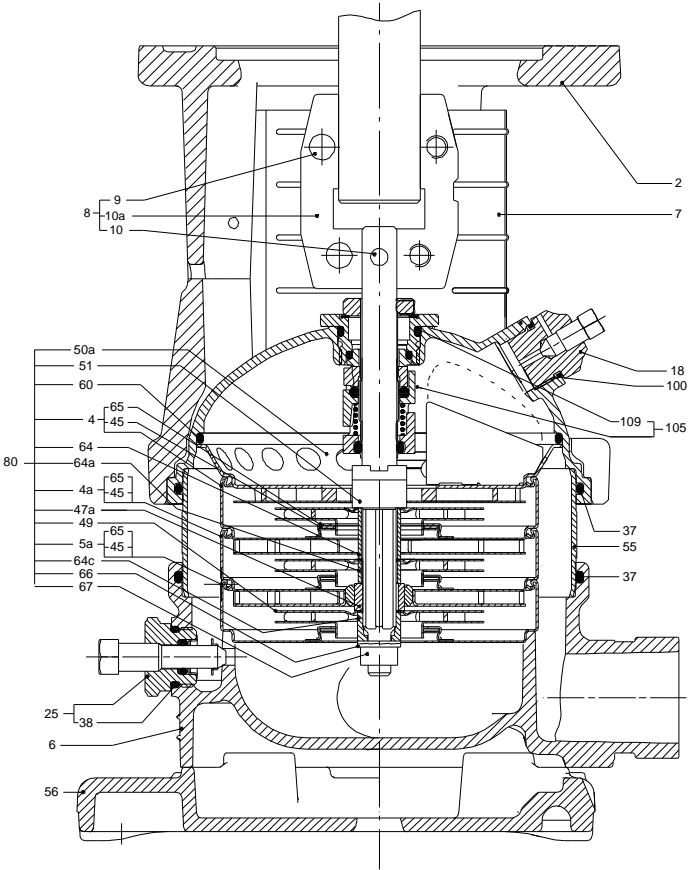
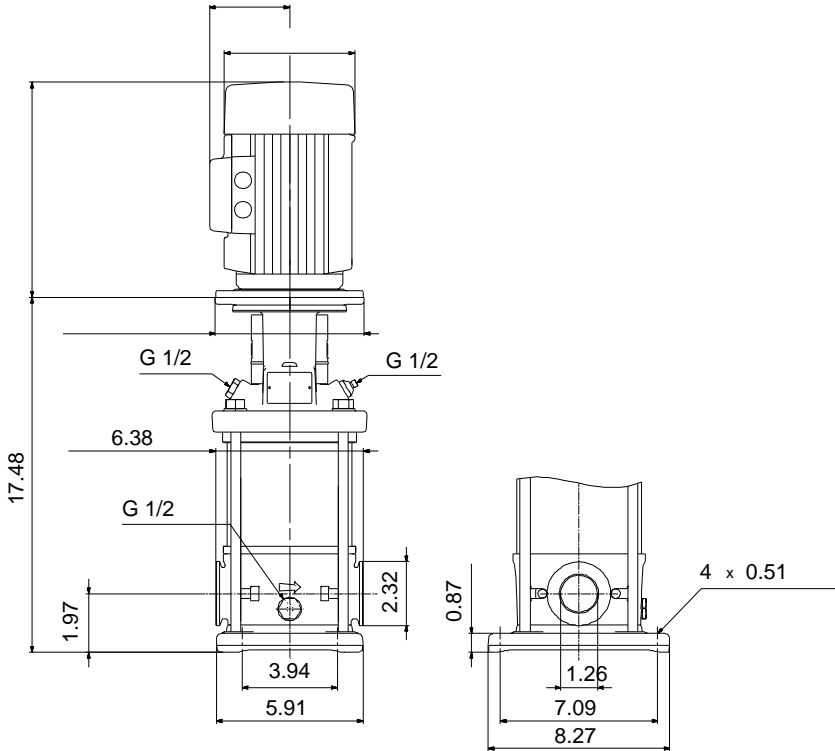
### CRI 3-12

Vertical, multistage centrifugal pump with suction and discharge ports on the same level. The pump head and base are in cast iron. All wetted parts are in stainless steel (EN 1.4301) (AISI 304)

Product photo could vary from the actual product

Conditions of Service		Pump Data		Motor Data	
Flow:	14.3 US gpm	Max pressure at stated temperature:	363 psi / 250 °F	Main frequency:	60 Hz
Head:	286 ft	Approvals:	NSF61		
Efficiency:	_____	Shaft seal:	HQQE		
Liquid:	Water	Product number:	96083371		
Temperature:	68 °F				
NPSH required:	5.85 ft				
Viscosity:	_____				
Specific Gravity:	1.000				





**Materials:**  
 Base: Stainless steel  
 EN 1.4408  
 AISI 316  
 Impeller: Stainless steel  
 AISI 304  
 EN 1.4301  
 Material code: I  
 Code for rubber: E

## Tender Text



Product photo could vary from the actual product

Product No.: [96083371](#)

### **CRI 3-12 A-CA-I-E-HQQE**

Vertical, non-self-priming, multistage, in-line, centrifugal pump for installation in pipe systems and mounting on a foundation.

The pump has the following characteristics:

- Impellers, intermediate chambers and outer sleeve are made of
- Pump head cover and base are made of
- The shaft seal has assembly length according to EN 12756.
- Power transmission is via cast iron split coupling.  
flanges/couplings.

### **Controls:**

Frequency converter: NONE

### **Liquid:**

Pumped liquid: Water  
Liquid temperature during operation: 68 °F  
Density: 62.29 lb/ft<sup>3</sup>

### **Technical:**

Speed for pump data: 3452 rpm  
Actual calculated flow: 14.3 US gpm  
Resulting head of the pump: 286 ft  
Pump orientation: Vertical  
Shaft seal arrangement: Single  
Code for shaft seal: HQQE  
Approvals on nameplate: NSF61  
Curve tolerance: ISO9906:2012 3B

### **Materials:**

Base: Stainless steel  
EN 1.4408  
AISI 316  
Impeller: Stainless steel  
EN 1.4301  
AISI 304  
Bearing material: SIC



Company name:

Created by:

Phone:

Date: 2/20/2018

**Installation:**

Max pressure at stated temperature: 363 psi / 250 °F  
363 psi / -4 °F

Type of connection: FlexiClamp  
Size of inlet connection: DN 32  
Size of suction port: 1 1/4 inch  
Size of outlet connection: DN 32  
Size of outlet port: 1 1/4 inch  
Pressure rating: PN 25  
Flange size for motor: 56C

**Electrical data:**

Motor standard: NEMA

**Others:**

Net weight: 33.8 lb  
Gross weight: 48.4 lb  
Shipping volume: 4.94 ft<sup>3</sup>

Position	Count	Description
	1	<p><b>CRI 3-12 A-CA-I-E-HQQE</b></p>  <p>Product photo could vary from the actual product</p> <p>Product No.: <a href="#">96083371</a></p> <p>Vertical, non-self-priming, multistage, in-line, centrifugal pump for installation in pipe systems and mounting on a foundation.</p> <p>The pump has the following characteristics:</p> <ul style="list-style-type: none"> <li>- Impellers, intermediate chambers and outer sleeve are made of</li> <li>- Pump head cover and base are made of</li> <li>- The shaft seal has assembly length according to EN 12756.</li> <li>- Power transmission is via cast iron split coupling.</li> </ul> <p>flanges/couplings.</p> <p><b>Controls:</b></p> <p>Frequency converter: NONE</p> <p><b>Liquid:</b></p> <p>Pumped liquid: Water</p> <p>Liquid temperature during operation: 68 °F</p> <p>Density: 62.29 lb/ft<sup>3</sup></p> <p><b>Technical:</b></p> <p>Speed for pump data: 3452 rpm</p> <p>Actual calculated flow: 14.3 US gpm</p> <p>Resulting head of the pump: 286 ft</p> <p>Pump orientation: Vertical</p> <p>Shaft seal arrangement: Single</p> <p>Code for shaft seal: HQQE</p> <p>Approvals on nameplate: NSF61</p> <p>Curve tolerance: ISO9906:2012 3B</p> <p><b>Materials:</b></p> <p>Base: Stainless steel EN 1.4408 AISI 316</p> <p>Impeller: Stainless steel EN 1.4301 AISI 304</p> <p>Bearing material: SIC</p> <p><b>Installation:</b></p>



Company name:

Created by:

Phone:

Date:

2/20/2018

Position	Count	Description
		Max pressure at stated temperature: 363 psi / 250 °F 363 psi / -4 °F
		Type of connection: FlexiClamp
		Size of inlet connection: DN 32
		Size of suction port: 1 1/4 inch
		Size of outlet connection: DN 32
		Size of outlet port: 1 1/4 inch
		Pressure rating: PN 25
		Flange size for motor: 56C
		<b>Electrical data:</b>
		Motor standard: NEMA
		<b>Others:</b>
		Net weight: 33.8 lb
		Gross weight: 48.4 lb
		Shipping volume: 4.94 ft <sup>3</sup>



Company name:

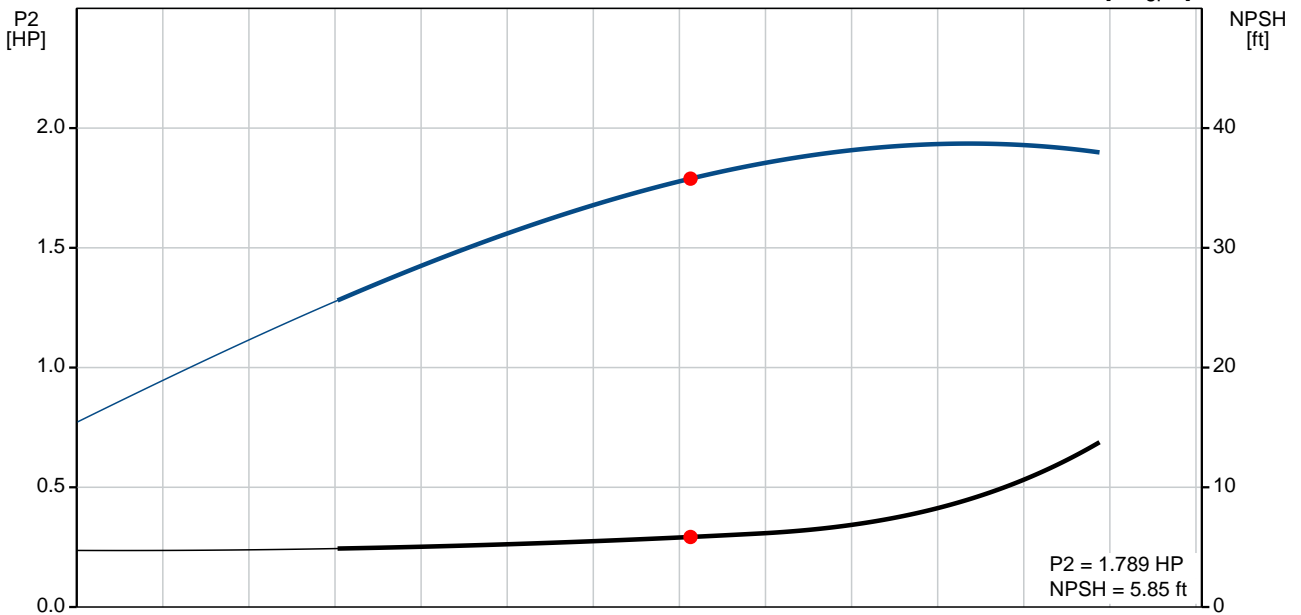
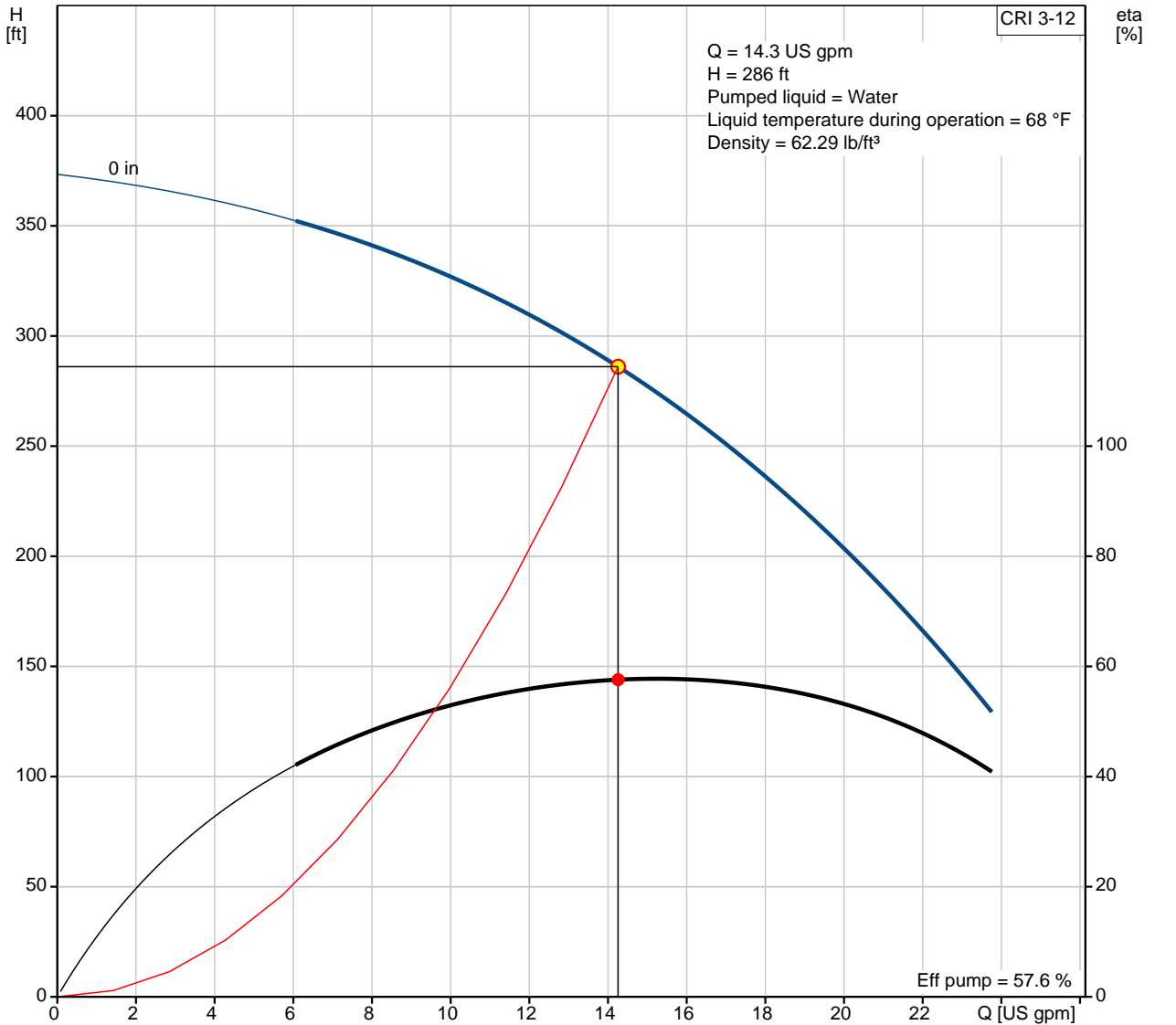
Created by:

Phone:

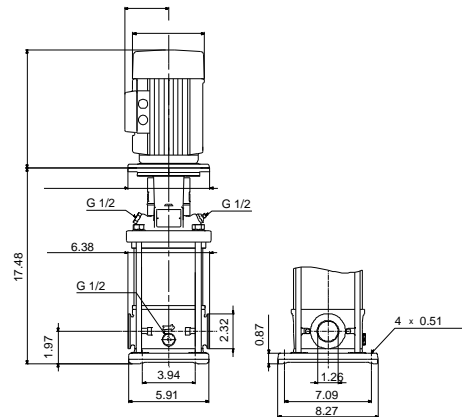
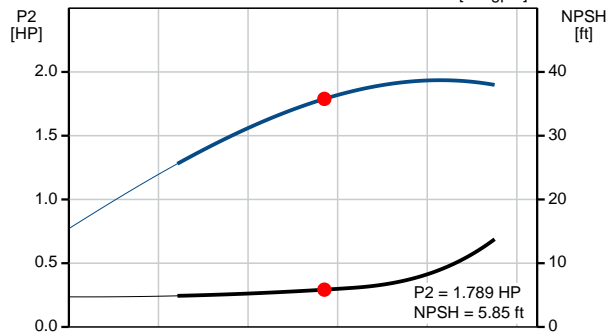
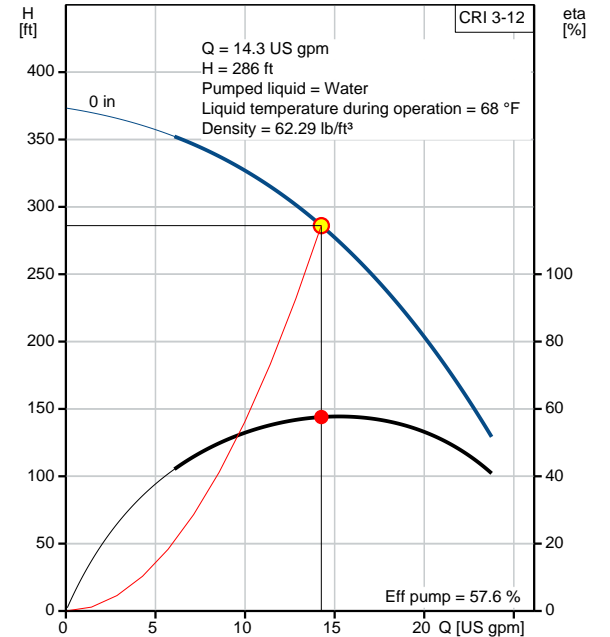
Date:

2/20/2018

### 96083371 CRI 3-12 60 Hz

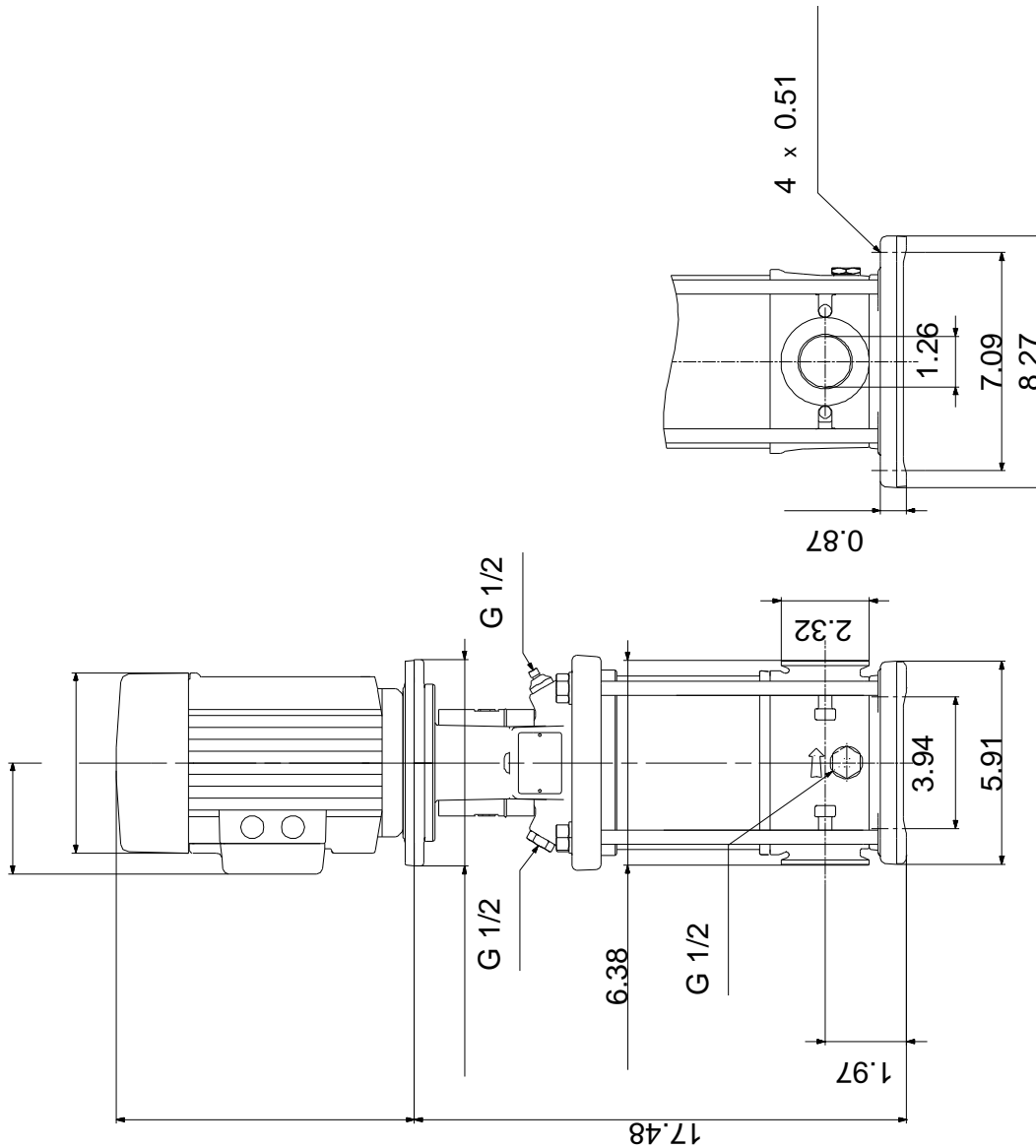


Description	Value
<b>General information:</b>	
Product name:	CRI 3-12 A-CA-I-E-HQQE
Product No.:	96083371
EAN:	5700395185690
<b>Technical:</b>	
Speed for pump data:	3452 rpm
Actual calculated flow:	14.3 US gpm
Resulting head of the pump:	286 ft
Stages:	12
Impellers:	12
Low NPSH:	N
Pump orientation:	Vertical
Shaft seal arrangement:	Single
Code for shaft seal:	HQQE
Approvals on nameplate:	NSF61
Curve tolerance:	ISO9906:2012 3B
Pump version:	A
Model:	A
<b>Materials:</b>	
Base:	Stainless steel EN 1.4408 AISI 316
Impeller:	Stainless steel EN 1.4301 AISI 304
Material code:	I
Code for rubber:	E
Bearing material:	SIC
<b>Installation:</b>	
Max pressure at stated temperature:	363 psi / 250 °F 363 psi / -4 °F
Type of connection:	FlexiClamp
Connect code:	CA
Size of inlet connection:	DN 32
Size of suction port:	1 1/4 inch
Size of outlet connection:	DN 32
Size of outlet port:	1 1/4 inch
Pressure rating:	PN 25
Flange size for motor:	56C
<b>Liquid:</b>	
Pumped liquid:	Water
Liquid temperature during operation:	68 °F
Density:	62.29 lb/ft³
<b>Electrical data:</b>	
Motor standard:	NEMA
<b>Controls:</b>	
Frequency converter:	NONE
<b>Others:</b>	
Net weight:	33.8 lb
Gross weight:	48.4 lb
Shipping volume:	4.94 ft³





**96083371 CRI 3-12 60 Hz**



Note! All units are in [mm] unless otherwise stated.  
 Disclaimer: This simplified dimensional drawing does not show all details.



Company name:

Created by:

Phone:

Date: 2/20/2018

---

**Order Data:**

Product name: CRI 3-12 A-CA-I-E-HQQE

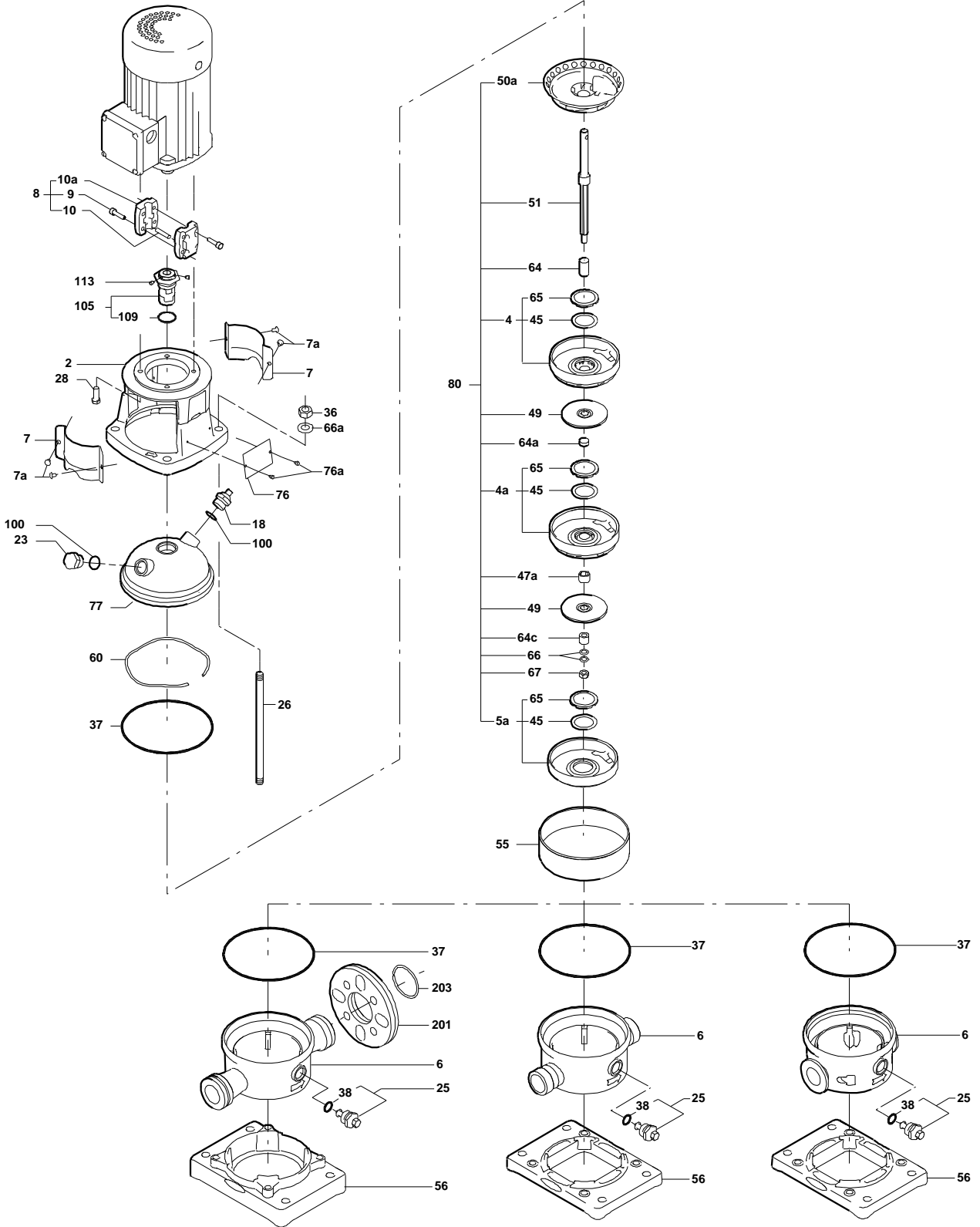
Amount: 1

Product No.: 96083371

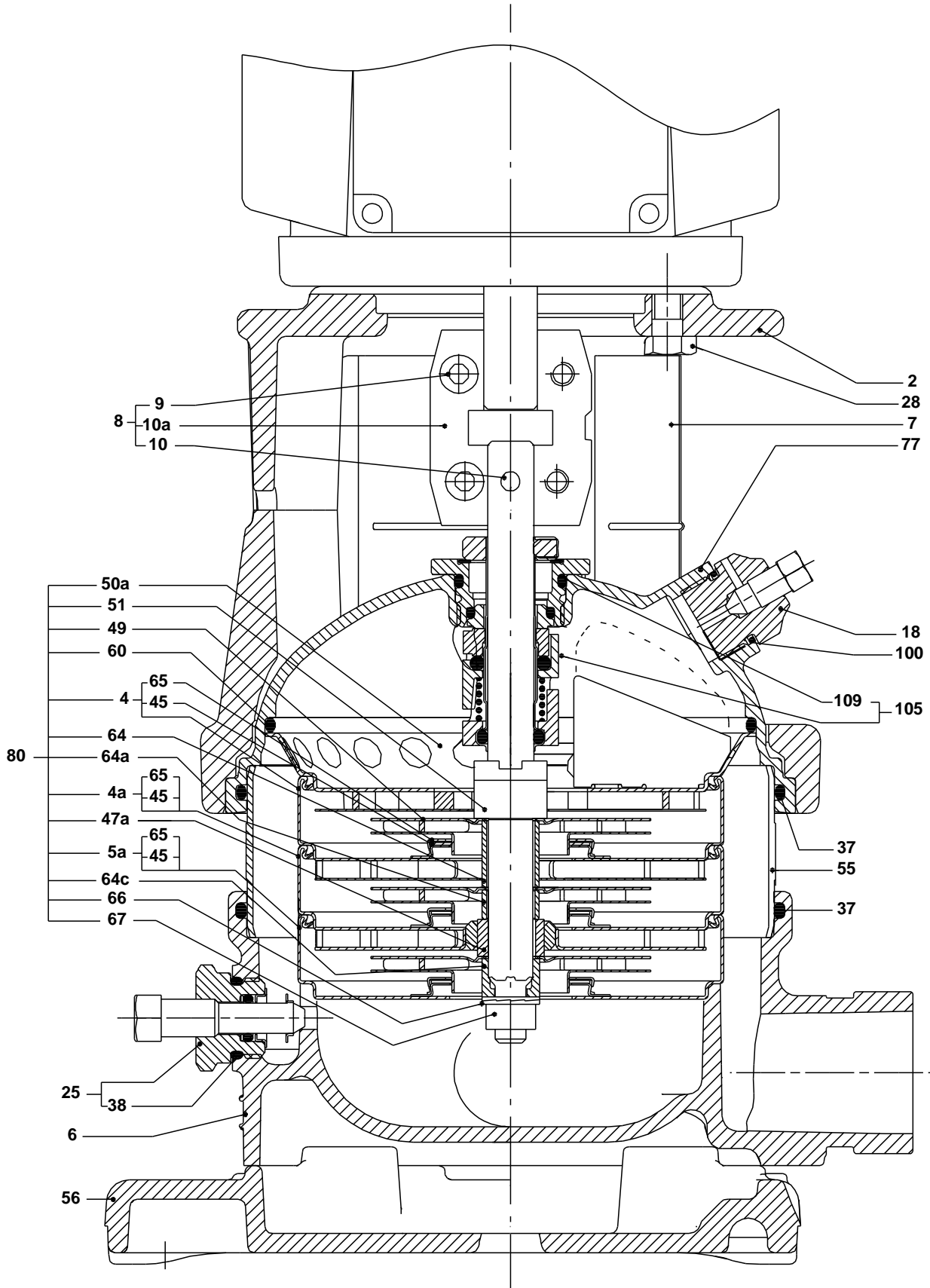
Total: Price on request

---

## Exploded view (TM02 0212 4100)



Sectional drawing (TM02 0215 4100)



TM02

**Parts list CRI 3-12, Prod number 96083371**

**Valid from 1.1.2004 (0401)**

Position	Description	Annotation	Classification data	Part No.	Count	Unit
+	Base cpl.				1	pcs
-	Sealing parts				1	pcs
- 25	Drain plug w/bypass valve				1	
38	O-ring		Diameter: 16,3 Material type: EPDM Thickness: 2,4			
37	O-ring				2	
100	O-ring		Diameter: 16,3 Material type: EPDM Thickness: 2,4		2	
- 2	Pump head cpl.				1	pcs
2	Motor stool				1	
7	Coupling guard				2	
7a	Thread cutting screw				4	
- 18	Air vent screw				1	
	Plug					
	Spindle					
- 25	Drain plug				1	
23	Pipe plug					
25	Drain plug					
28	Hex head cap screw		Length: 25 Thread: UNC 3/8"		4	
60	Formed wire spring				1	
77	Pump cover				1	
+ 8	Coupling cpl.				1	pcs
26	Staybolt		Length: 313 Thread: M12		4	pcs
36a	Washer		Designation: DIN 125 A Inner diameter: 13 Outer diameter: 24 Thickness: 2,5		4	pcs
55	Outer sleeve				1	pcs
66a	Nut		Thread: M12		4	pcs
+ 80	Chamber stack				1	pcs
- 105	Shaft seal		Material type: HQQE		1	pcs
	O-ring				1	
	O-ring				1	
	Seal driver, upper				1	
	Seal driver, lower				1	
	Spacer ring				1	
	Pipe				1	
	Plug				1	
	Plug				1	
	Compression spring				1	
	Socket set screw				1	
102	O-ring		Diameter: 22,00 Material type: EPDM Thickness: 2,75		1	
103	Seal ring, stationary				1	
105	Seal ring, rotating				1	
107	O-ring				1	
113	Driver				1	