

PROJECT: _____	UNIT TAG: _____	QUANTITY: _____
REPRESENTATIVE: _____	TYPE OF SERVICE: _____	DATE: _____
ENGINEER: _____	SUBMITTED BY: _____	DATE: _____
CONTRACTOR: _____	APPROVED BY: _____	DATE: _____
	ORDER NO.: _____	DATE: _____

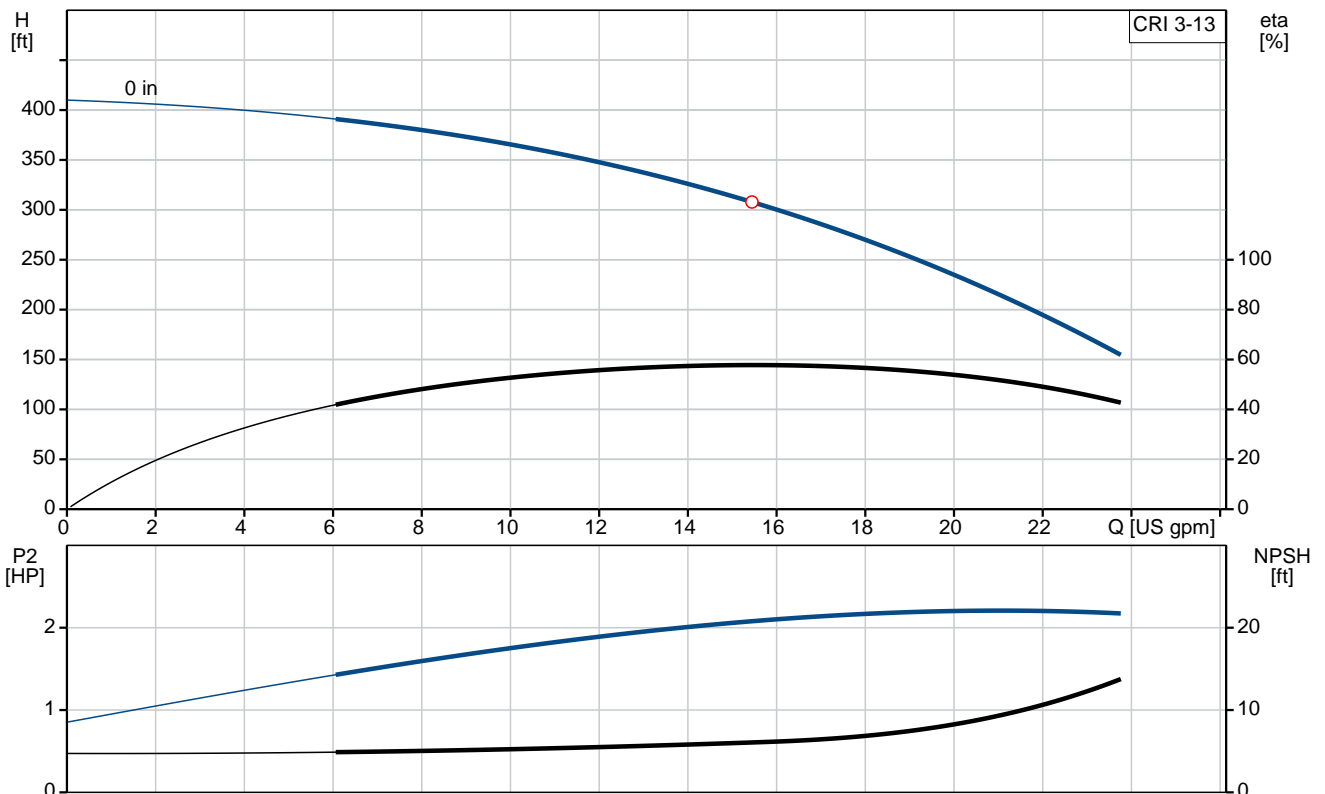


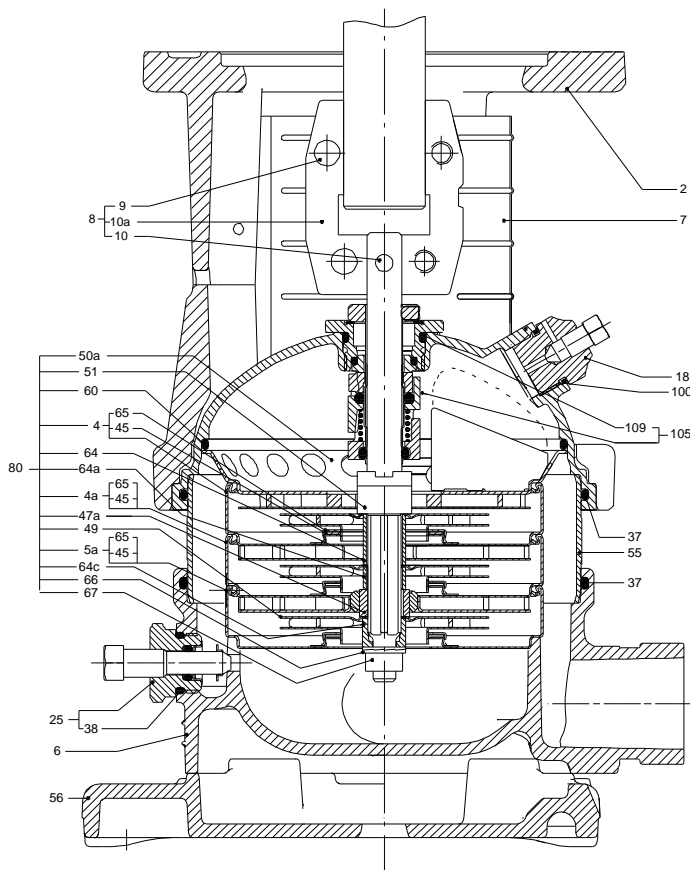
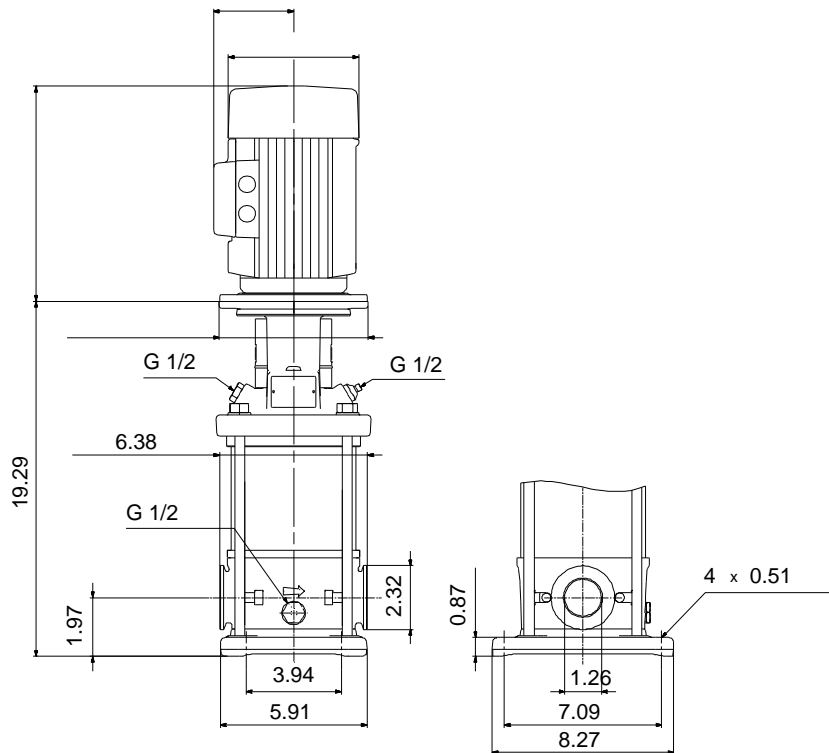
CRI 3-13

Vertical, multistage centrifugal pump with suction and discharge ports on the same level. The pump head and base are in cast iron. All wetted parts are in stainless steel (EN 1.4301) (AISI 304)

Product photo could vary from the actual product

Conditions of Service	Pump Data	Motor Data
Flow: _____	Max pressure at stated temperature: 363 psi / 194 °F	Main frequency: 60 Hz
Head: _____	Shaft seal: HQQV	
Efficiency: _____	Product number: 96083462	
Liquid: Water		
Temperature: 68 °F		
NPSH required: ft		
Viscosity: _____		
Specific Gravity: 1.000		





Materials:

- Base: Stainless steel
EN 1.4408
AISI 316
- Impeller: Stainless steel
AISI 304
EN 1.4301
- Material code: I
- Code for rubber: V

Tender Text



Product photo could vary from the actual product

Product No.: [96083462](#)

CRI 3-13 A-CA-I-V-HQQV

Vertical, non-self-priming, multistage, in-line, centrifugal pump for installation in pipe systems and mounting on a foundation.

The pump has the following characteristics:

- Impellers, intermediate chambers and outer sleeve are made of
- Pump head cover and base are made of
- The shaft seal has assembly length according to EN 12756.
- Power transmission is via cast iron split coupling.
flanges/couplings.

Controls:

Frequency converter: NONE

Liquid:

Pumped liquid: Water
Liquid temperature during operation: 68 °F
Density: 62.29 lb/ft³

Technical:

Speed for pump data: 3461 rpm
Pump orientation: Vertical
Shaft seal arrangement: Single
Code for shaft seal: HQQV
Curve tolerance: ISO9906:2012 3B

Materials:

Base: Stainless steel
EN 1.4408
AISI 316
Impeller: Stainless steel
EN 1.4301
AISI 304
Bearing material: SIC

Installation:

Max pressure at stated temperature: 363 psi / 194 °F



Company name:

Created by:

Phone:

Date:

2/20/2018

Type of connection: 363 psi / -4 °F
FlexiClamp
Size of inlet connection: DN 32
Size of suction port: 1 1/4 inch
Size of outlet connection: DN 32
Size of outlet port: 1 1/4 inch
Pressure rating: PN 25
Flange size for motor: 182TC

Electrical data:

Motor standard: NEMA

Others:

Net weight: 38 lb
Gross weight: 52.5 lb
Shipping volume: 4.94 ft³

Position	Count	Description
	1	<p>CRI 3-13 A-CA-I-V-HQQV</p>  <p>Product photo could vary from the actual product</p> <p>Product No.: 96083462</p> <p>Vertical, non-self-priming, multistage, in-line, centrifugal pump for installation in pipe systems and mounting on a foundation.</p> <p>The pump has the following characteristics:</p> <ul style="list-style-type: none"> - Impellers, intermediate chambers and outer sleeve are made of - Pump head cover and base are made of - The shaft seal has assembly length according to EN 12756. - Power transmission is via cast iron split coupling. <p>flanges/couplings.</p> <p>Controls:</p> <p>Frequency converter: NONE</p> <p>Liquid:</p> <p>Pumped liquid: Water</p> <p>Liquid temperature during operation: 68 °F</p> <p>Density: 62.29 lb/ft³</p> <p>Technical:</p> <p>Speed for pump data: 3461 rpm</p> <p>Pump orientation: Vertical</p> <p>Shaft seal arrangement: Single</p> <p>Code for shaft seal: HQQV</p> <p>Curve tolerance: ISO9906:2012 3B</p> <p>Materials:</p> <p>Base: Stainless steel EN 1.4408 AISI 316</p> <p>Impeller: Stainless steel EN 1.4301 AISI 304</p> <p>Bearing material: SIC</p> <p>Installation:</p> <p>Max pressure at stated temperature: 363 psi / 194 °F 363 psi / -4 °F</p> <p>Type of connection: FlexiClamp</p>



Company name:

Created by:

Phone:

Date:

2/20/2018

Position	Count	Description
		Size of inlet connection: DN 32 Size of suction port: 1 1/4 inch Size of outlet connection: DN 32 Size of outlet port: 1 1/4 inch Pressure rating: PN 25 Flange size for motor: 182TC Electrical data: Motor standard: NEMA Others: Net weight: 38 lb Gross weight: 52.5 lb Shipping volume: 4.94 ft ³



Company name:

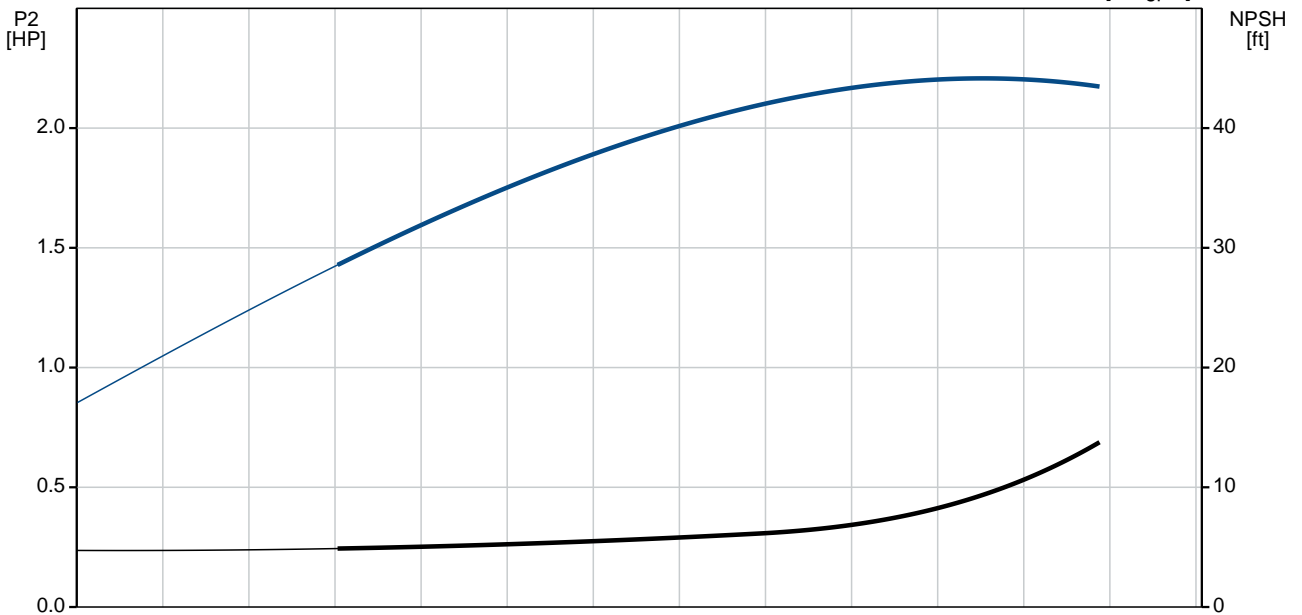
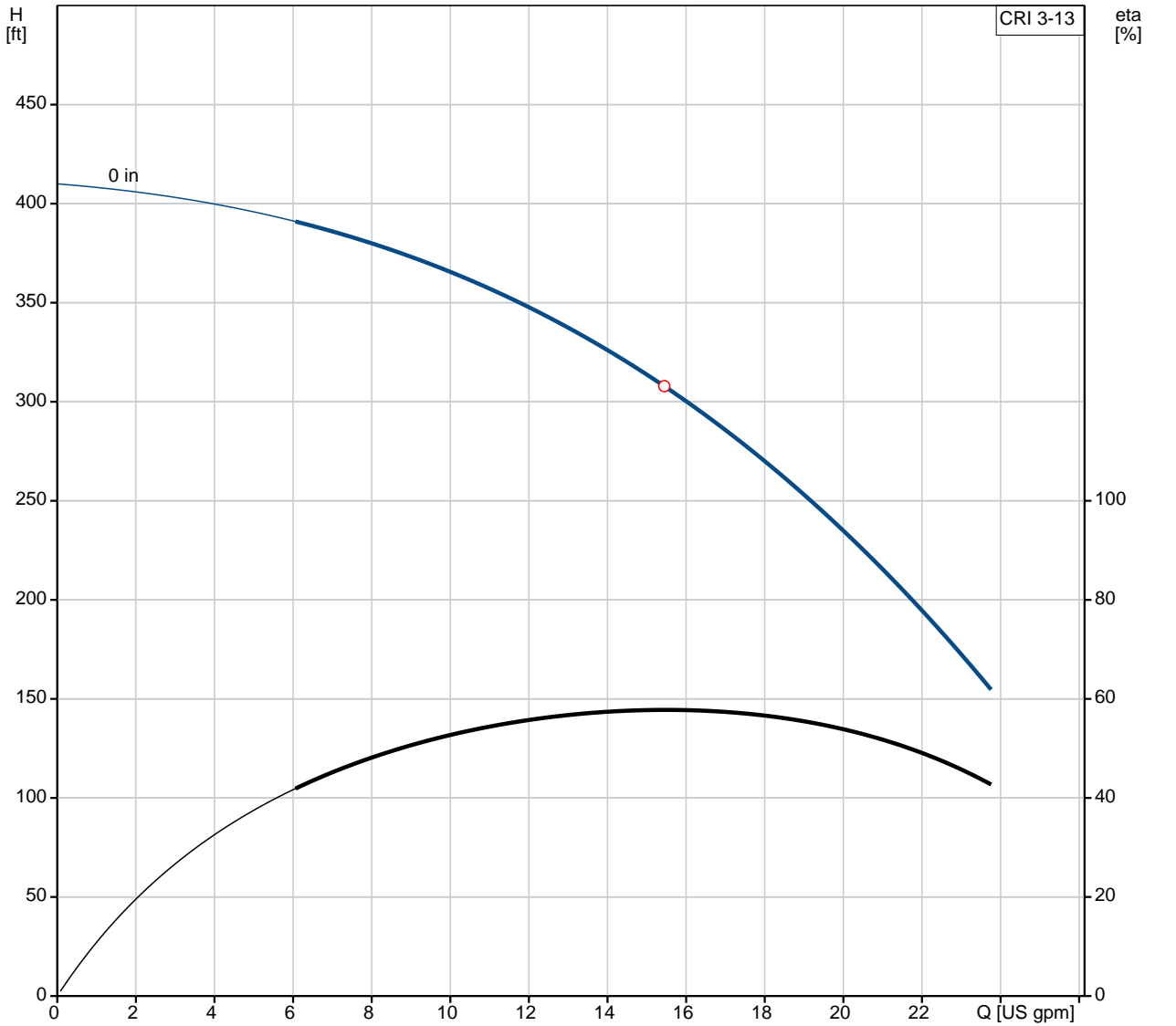
Created by:

Phone:

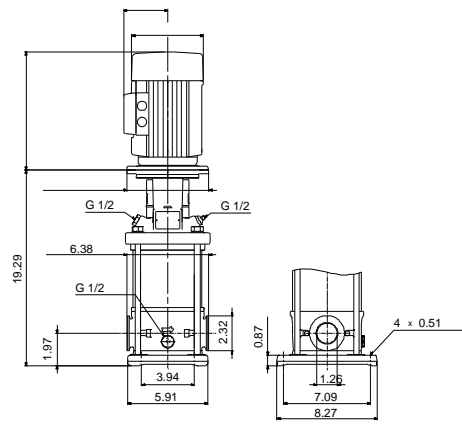
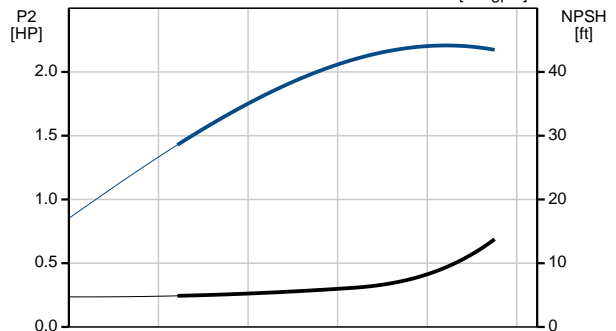
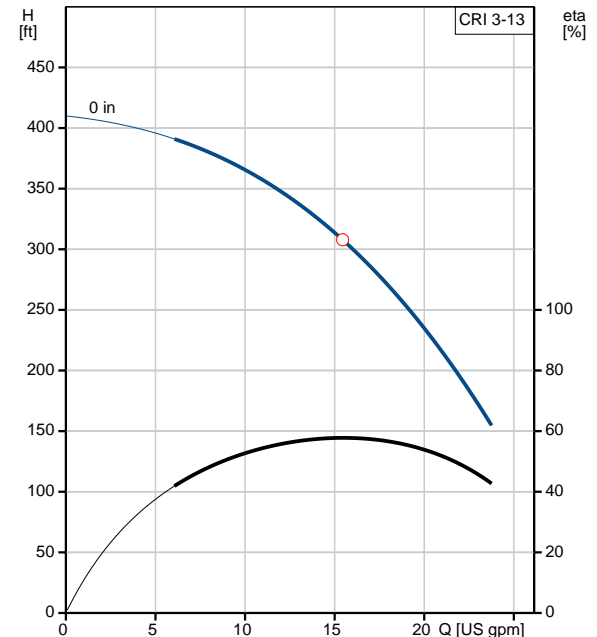
Date:

2/20/2018

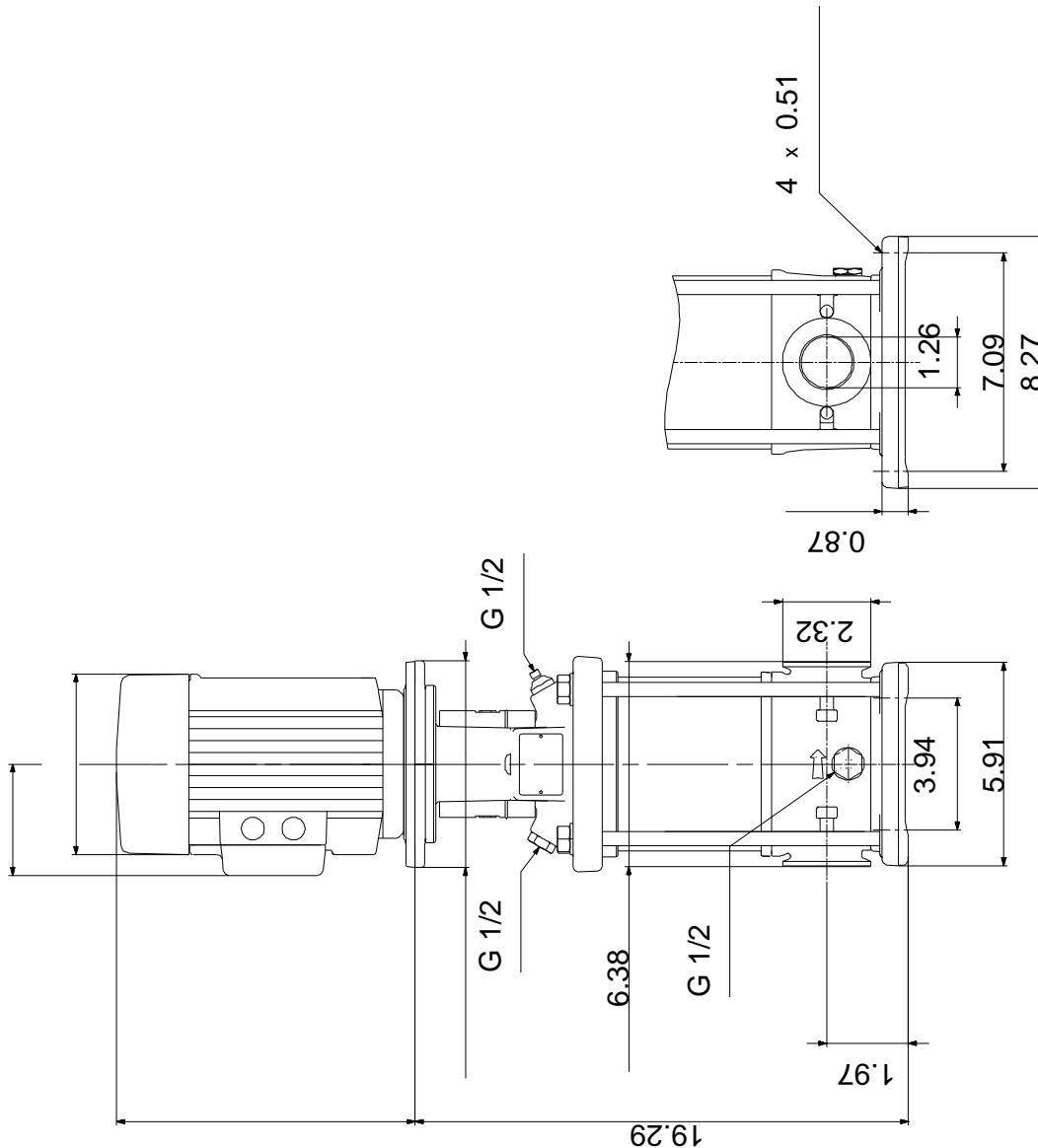
96083462 CRI 3-13 60 Hz



Description	Value
General information:	
Product name:	CRI 3-13 A-CA-I-V-HQQV
Product No.:	96083462
EAN:	5700395186604
Technical:	
Speed for pump data:	3461 rpm
Stages:	13
Impellers:	13
Low NPSH:	N
Pump orientation:	Vertical
Shaft seal arrangement:	Single
Code for shaft seal:	HQQV
Curve tolerance:	ISO9906:2012 3B
Pump version:	A
Model:	A
Materials:	
Base:	Stainless steel EN 1.4408
	AISI 316
Impeller:	Stainless steel EN 1.4301
	AISI 304
Material code:	I
Code for rubber:	V
Bearing material:	SIC
Installation:	
Max pressure at stated temperature:	363 psi / 194 °F 363 psi / -4 °F
Type of connection:	FlexiClamp
Connect code:	CA
Size of inlet connection:	DN 32
Size of suction port:	1 1/4 inch
Size of outlet connection:	DN 32
Size of outlet port:	1 1/4 inch
Pressure rating:	PN 25
Flange size for motor:	182TC
Liquid:	
Pumped liquid:	Water
Liquid temperature during operation:	68 °F
Density:	62.29 lb/ft ³
Electrical data:	
Motor standard:	NEMA
Controls:	
Frequency converter:	NONE
Others:	
Net weight:	38 lb
Gross weight:	52.5 lb
Shipping volume:	4.94 ft ³



96083462 CRI 3-13 60 Hz



Note! All units are in [mm] unless otherwise stated.
 Disclaimer: This simplified dimensional drawing does not show all details.



Company name:

Created by:

Phone:

Date: 2/20/2018

Order Data:

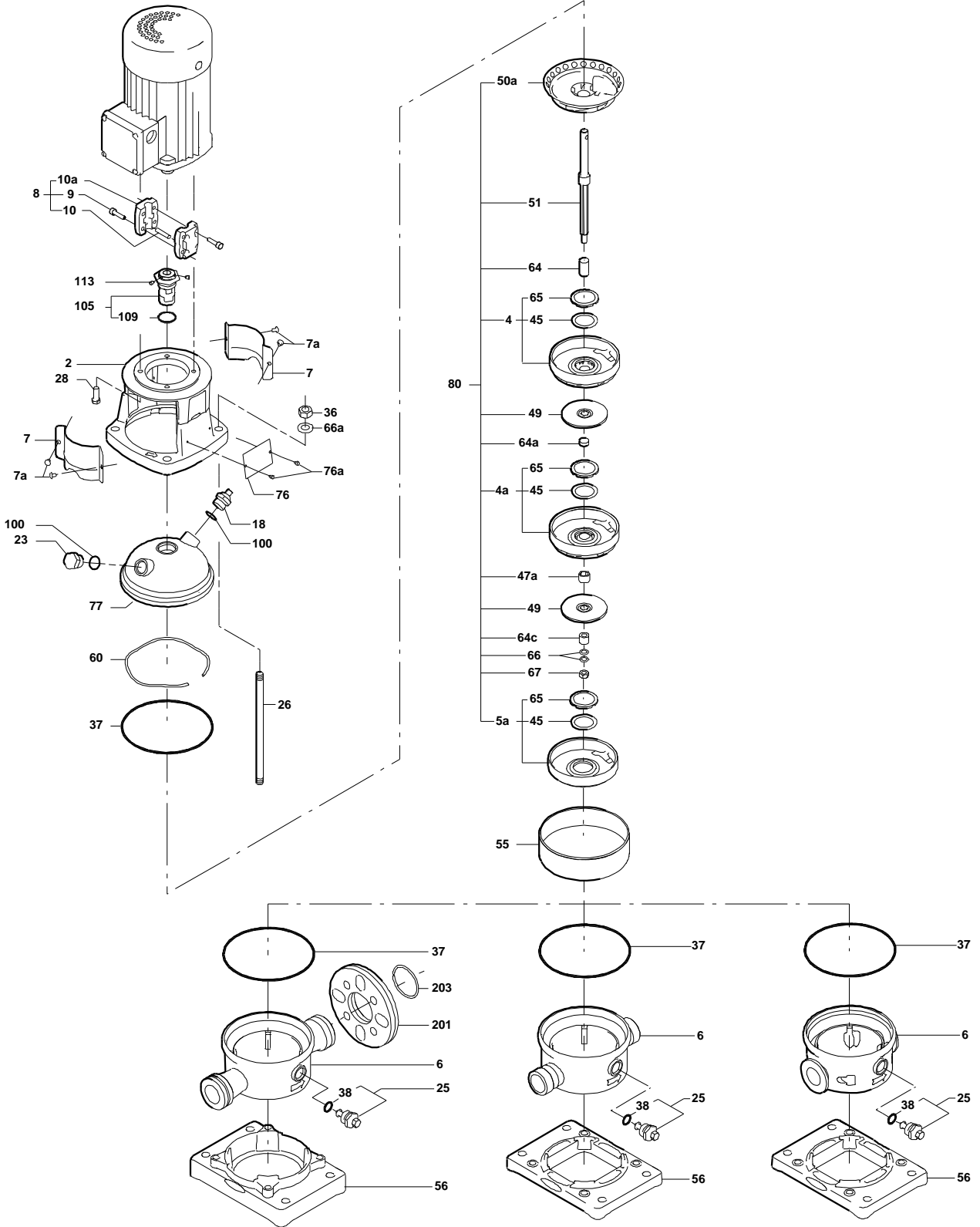
Product name: CRI 3-13 A-CA-I-V-HQQV

Amount: 1

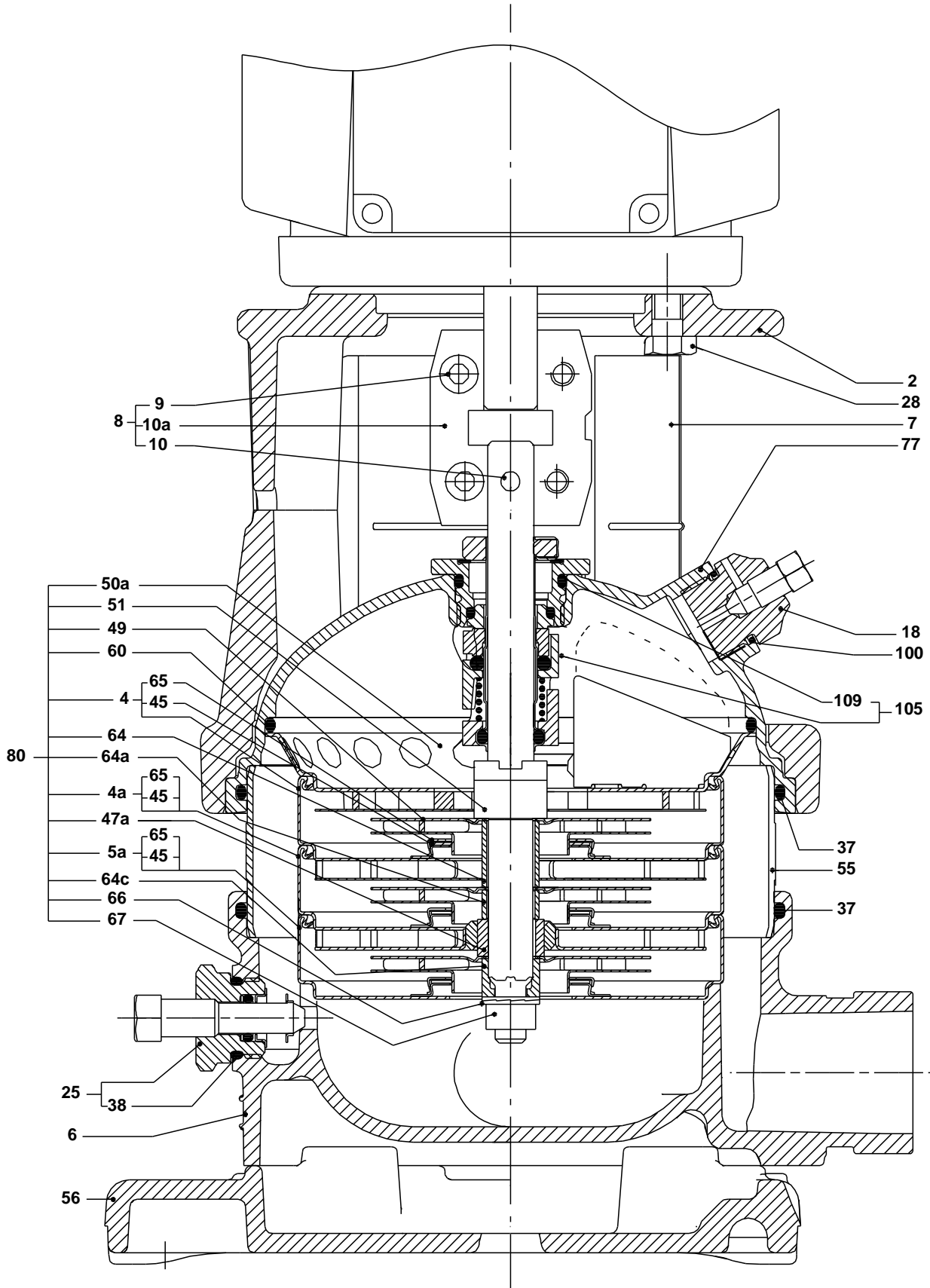
Product No.: 96083462

Total: Price on request

Exploded view (TM02 0212 4100)



Sectional drawing (TM02 0215 4100)



TM02

**Parts list CRI 3-13, Prod number 96083462
Valid from 1.1.2004 (0401)**

Position	Description	Annotation	Classification data	Part No.	Count	Unit
+	Base cpl.				1	pcs
-	Sealing parts				1	pcs
- 25	Drain plug w/bypass valve				1	
38	O-ring		Diameter: 16,3			
			Material type: FKM			
			Thickness: 2,4			
37	O-ring		Diameter: 137,5		2	
			Material type: FKM			
			Thickness: 3,3			
100	O-ring		Diameter: 16,3		2	
			Material type: FKM			
			Thickness: 2,4			
- 2	Pump head cpl.				1	pcs
2	Motor stool				1	
7	Coupling guard				2	
7a	Thread cutting screw				4	
- 18	Air vent screw				1	
	Plug					
	Spindle					
- 25	Drain plug				1	
23	Pipe plug					
25	Drain plug					
28	Hex head cap screw		Length: 25		4	
			Thread: UNC 1/2"			
60	Formed wire spring				1	
77	Pump cover				1	
+ 8	Coupling cpl.				1	pcs
26	Staybolt		Length: 328		4	pcs
			Thread: M12			
36a	Washer		Designation: DIN 125 A		4	pcs
			Inner diameter: 13			
			Outer diameter: 24			
			Thickness: 2,5			
55	Outer sleeve				1	pcs
66a	Nut		Thread: M12		4	pcs
+ 80	Chamber stack				1	pcs
- 105	Shaft seal		Material type: HQQV		1	pcs
	O-ring				1	
	O-ring				1	
	O-ring				1	
	Seal driver, upper				1	
	Seal driver, lower				1	
	Spacer ring				1	
	Pipe				1	
	Plug				1	
	Plug				1	
	Compression spring				1	
	Socket set screw				3	
103	Seal ring, stationary				1	
105	Seal ring, rotating				1	
109	O-ring				1	
113	Driver				1	