

PROJECT: _____	UNIT TAG: _____	QUANTITY: _____
REPRESENTATIVE: _____	TYPE OF SERVICE: _____	DATE: _____
ENGINEER: _____	SUBMITTED BY: _____	DATE: _____
CONTRACTOR: _____	APPROVED BY: _____	DATE: _____
	ORDER NO.: _____	DATE: _____

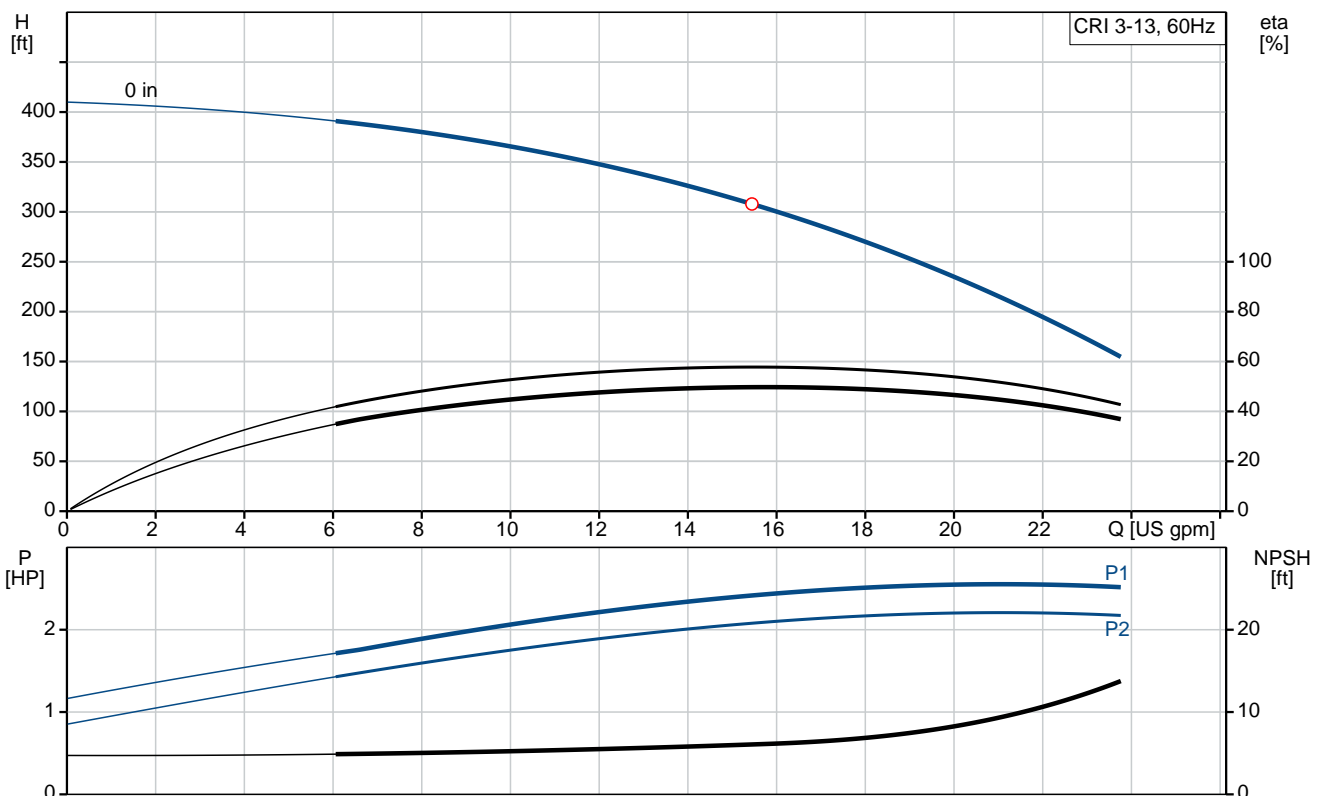


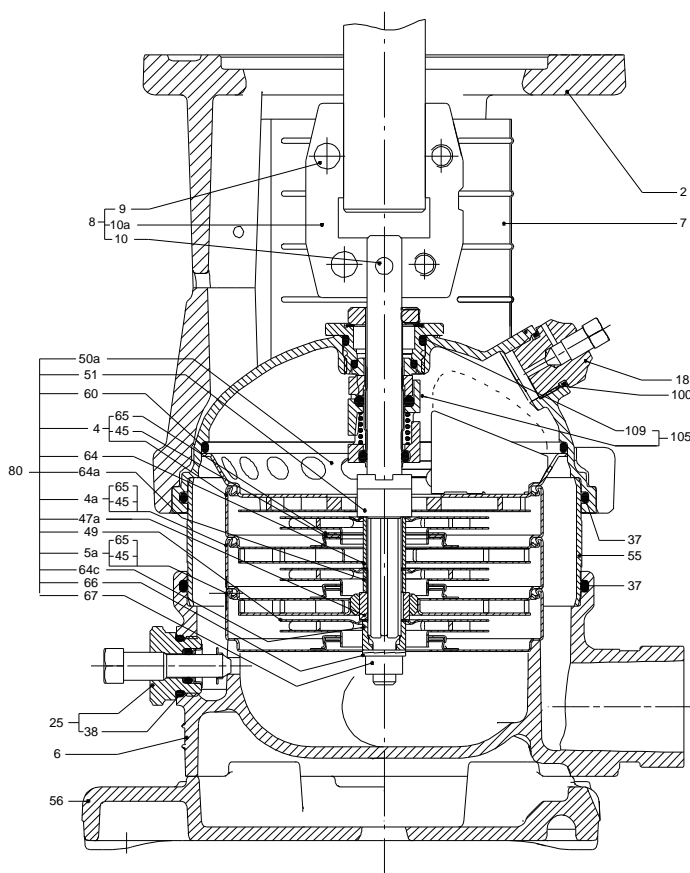
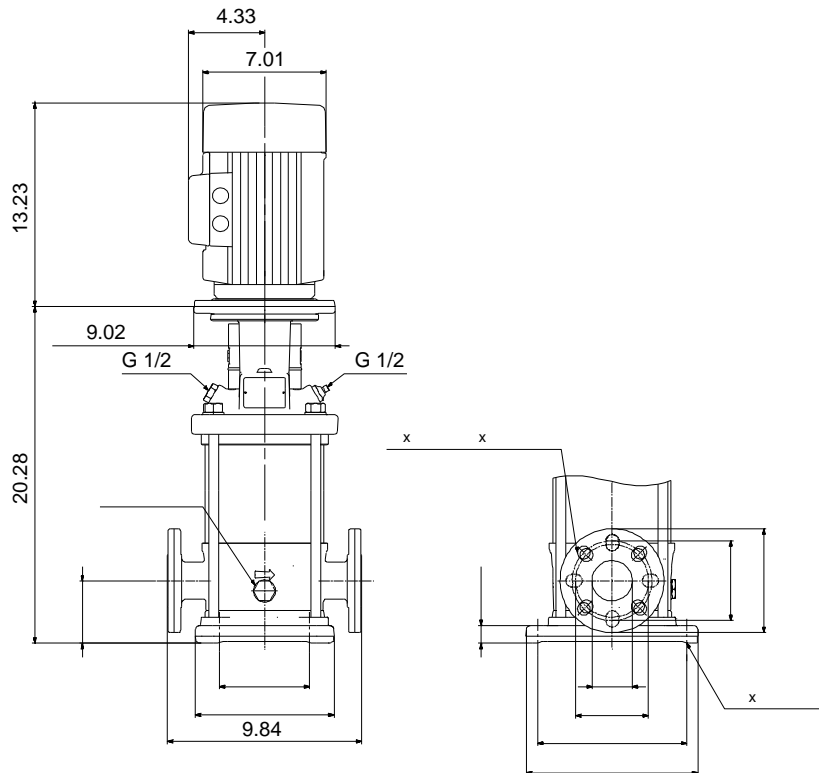
CRI 3-13

Vertical, multistage centrifugal pump with suction and discharge ports on the same level. The pump head and base are in cast iron. All wetted parts are in stainless steel (EN 1.4301) (AISI 304)

Product photo could vary from the actual product

Conditions of Service	Pump Data	Motor Data
Flow: _____	Max pressure at stated temperature: 363 psi / 250 °F	Rated power - P2: 3 HP
Head: _____	Maximum ambient temperature: 140 °F	Rated voltage: 208-230YY/460Y V
Efficiency: _____	Approvals: CURUS, NSF61	Main frequency: 60 Hz
Liquid: Water	Shaft seal: HQQE	Enclosure class: 55 Dust/Jetting
Temperature: 68 °F	Product number: 96083582	Insulation class: F
NPSH required: ft		Motor protection: NONE
Viscosity: _____		Motor type: 90FA
Specific Gravity: 1.000		Motor_efficiency: 86.5 %





Materials:

- Base: Stainless steel
EN 1.4408
AISI 316
- Impeller: Stainless steel
AISI 304
EN 1.4301
- Material code: I
- Code for rubber: E

Tender Text



Product No.: [96083582](#)

CRI 3-13 A-FGJ-I-E-HQQE

Vertical, non-self-priming, multistage, in-line, centrifugal pump for installation in pipe systems and mounting on a foundation.

The pump has the following characteristics:

- Impellers, intermediate chambers and outer sleeve are made of
 - Pump head cover and base are made of
 - The shaft seal has assembly length according to EN 12756.
 - Power transmission is via cast iron split coupling.
- flanges/couplings.

The motor is a 3-phase AC motor.

Controls:

Frequency converter: NONE

Liquid:

Pumped liquid: Water
Liquid temperature during operation: 68 °F
Density: 62.29 lb/ft³

Technical:

Speed for pump data: 3461 rpm
Pump orientation: Vertical
Shaft seal arrangement: Single
Code for shaft seal: HQQE
Approvals on nameplate: CURUS, NSF61
Curve tolerance: ISO9906:2012 3B

Materials:

Base: Stainless steel
EN 1.4408
AISI 316
Impeller: Stainless steel
EN 1.4301
AISI 304
Bearing material: SIC

Installation:

Maximum ambient temperature: 140 °F
Max pressure at stated temperature: 363 psi / 250 °F
363 psi / -4 °F
Type of connection: DIN / ANSI / JIS



Company name:

Created by:

Phone:

Date:

2/20/2018


Size of inlet connection: DN 25/32
Size of suction port: 1 1/4 inch
Size of outlet connection: DN 25/32
Size of outlet port: 1 1/4 inch
Pressure rating: PN 25
Flange size for motor: 182TC
Flange rating inlet: 300 lb

Electrical data:

Motor standard: NEMA
Motor type: 90FA
IE Efficiency class: NEMA Premium / IE3 60Hz
Rated power - P2: 3 HP
Power (P2) required by pump: 3 HP
Main frequency: 60 Hz
Rated voltage: 3 x 208-230YY/460Y V
Service factor: 1,15
Rated current: 8,35-7,80/3,9 A
Starting current: 940-1040 %
Cos phi - power factor: 0,89-0,86
Rated speed: 3510-3530 rpm
IE efficiency: IE3 86,5%
Motor efficiency at full load: 86.5 %
Motor efficiency at 3/4 load: 86.5 %
Motor efficiency at 1/2 load: 84.0 %
Number of poles: 2
Enclosure class (IEC 34-5): 55 Dust/Jetting
Insulation class (IEC 85): F

Others:

Net weight: 95.6 lb
Gross weight: 110 lb
Shipping volume: 8.26 ft³

Position	Count	Description
	1	<p>CRI 3-13 A-FGJ-I-E-HQQE</p>  <p>Product No.: 96083582 Vertical, non-self-priming, multistage, in-line, centrifugal pump for installation in pipe systems and mounting on a foundation.</p> <p>The pump has the following characteristics:</p> <ul style="list-style-type: none"> - Impellers, intermediate chambers and outer sleeve are made of - Pump head cover and base are made of - The shaft seal has assembly length according to EN 12756. - Power transmission is via cast iron split coupling flanges/couplings. <p>The motor is a 3-phase AC motor.</p> <p>Controls: Frequency converter: NONE</p> <p>Liquid: Pumped liquid: Water Liquid temperature during operation: 68 °F Density: 62.29 lb/ft³</p> <p>Technical: Speed for pump data: 3461 rpm Pump orientation: Vertical Shaft seal arrangement: Single Code for shaft seal: HQQE Approvals on nameplate: CURUS,NSF61 Curve tolerance: ISO9906:2012 3B</p> <p>Materials: Base: Stainless steel EN 1.4408 AISI 316 Impeller: Stainless steel EN 1.4301 AISI 304 Bearing material: SIC</p> <p>Installation: Maximum ambient temperature: 140 °F Max pressure at stated temperature: 363 psi / 250 °F 363 psi / -4 °F Type of connection: DIN / ANSI / JIS Size of inlet connection: DN 25/32</p>



Company name:

Created by:

Phone:

Date:

2/20/2018

Position	Count	Description
		Size of suction port: 1 1/4 inch
		Size of outlet connection: DN 25/32
		Size of outlet port: 1 1/4 inch
		Pressure rating: PN 25
		Flange size for motor: 182TC
		Flange rating inlet: 300 lb
		Electrical data:
		Motor standard: NEMA
		Motor type: 90FA
		IE Efficiency class: NEMA Premium / IE3 60Hz
		Rated power - P2: 3 HP
		Power (P2) required by pump: 3 HP
		Main frequency: 60 Hz
		Rated voltage: 3 x 208-230YY/460Y V
		Service factor: 1,15
		Rated current: 8,35-7,80/3,9 A
		Starting current: 940-1040 %
		Cos phi - power factor: 0,89-0,86
		Rated speed: 3510-3530 rpm
		IE efficiency: IE3 86,5%
		Motor efficiency at full load: 86.5 %
		Motor efficiency at 3/4 load: 86.5 %
		Motor efficiency at 1/2 load: 84.0 %
		Number of poles: 2
		Enclosure class (IEC 34-5): 55 Dust/Jetting
		Insulation class (IEC 85): F
		Others:
		Net weight: 95.6 lb
		Gross weight: 110 lb
		Shipping volume: 8.26 ft ³



Company name:

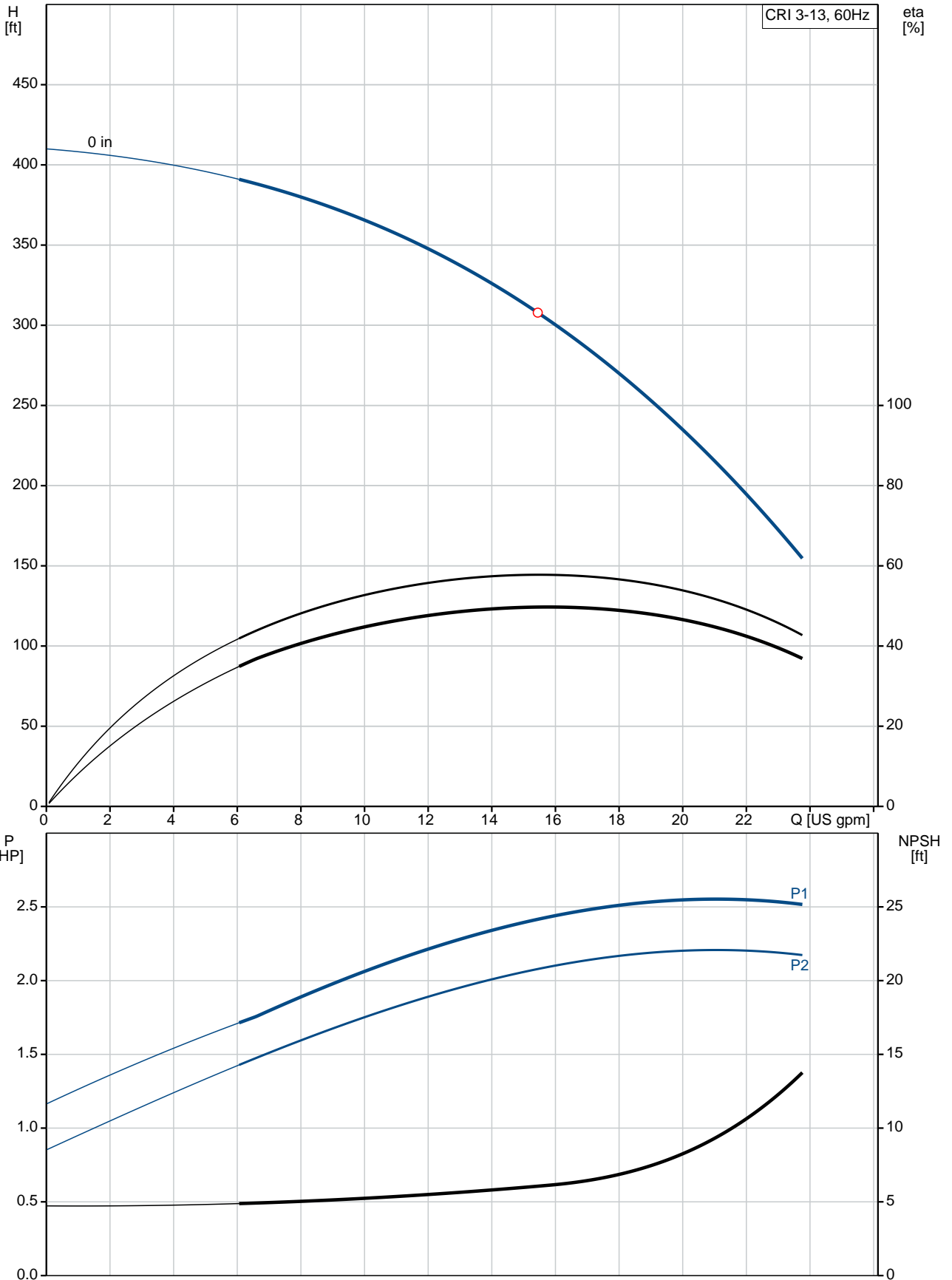
Created by:

Phone:

Date:

2/20/2018

96083582 CRI 3-13 60 Hz



Description	Value
-------------	-------

General information:

Product name: CRI 3-13 A-FGJ-I-E-HQQE
 Product No.: 96083582
 EAN: 5700395187809

Technical:

Speed for pump data: 3461 rpm
 Stages: 13
 Impellers: 13
 Low NPSH: N
 Pump orientation: Vertical
 Shaft seal arrangement: Single
 Code for shaft seal: HQQE
 Approvals on nameplate: CURUS,NSF61
 Curve tolerance: ISO9906:2012 3B
 Pump version: A
 Model: A
 Cooling: TEFC

Materials:

Base: Stainless steel
 EN 1.4408
 AISI 316
 Impeller: Stainless steel
 EN 1.4301
 AISI 304
 Material code: I
 Code for rubber: E
 Bearing material: SIC

Installation:

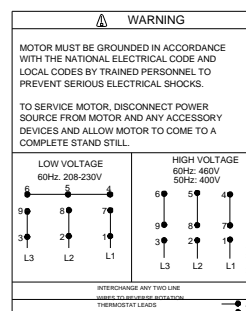
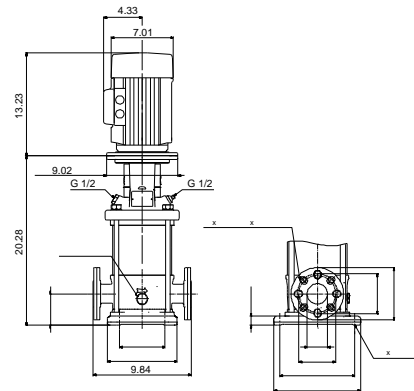
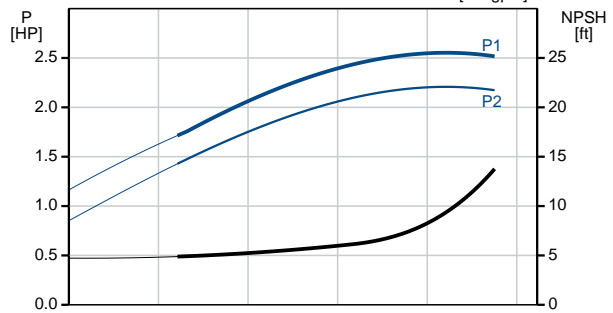
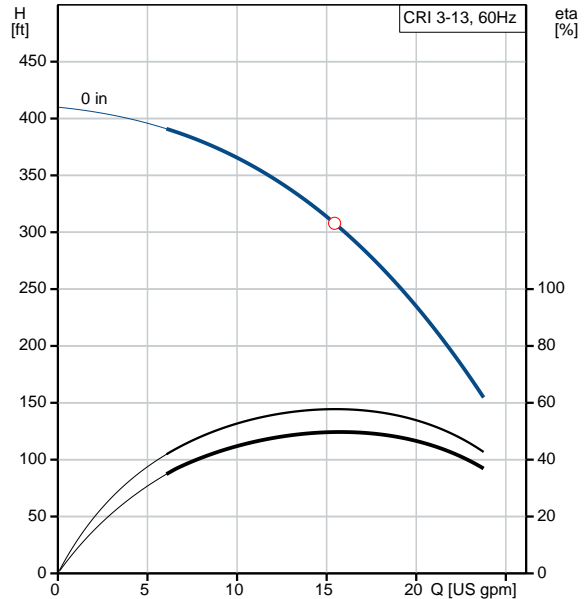
Maximum ambient temperature: 140 °F
 Max pressure at stated temperature: 363 psi / 250 °F
 363 psi / -4 °F
 Type of connection: DIN / ANSI / JIS
 Connect code: FGJ
 Size of inlet connection: DN 25/32
 Size of suction port: 1 1/4 inch
 Size of outlet connection: DN 25/32
 Size of outlet port: 1 1/4 inch
 Pressure rating: PN 25
 Flange size for motor: 182TC
 Flange rating inlet: 300 lb

Liquid:

Pumped liquid: Water
 Liquid temperature during operation: 68 °F
 Density: 62.29 lb/ft³

Electrical data:

Motor standard: NEMA
 Motor type: 90FA
 IE Efficiency class: NEMA Premium / IE3 60Hz
 Rated power - P2: 3 HP
 Power (P2) required by pump: 3 HP
 Main frequency: 60 Hz
 Rated voltage: 3 x 208-230YY/460V V
 Service factor: 1,15
 Rated current: 8,35-7,80/3,9 A





Company name:

Created by:

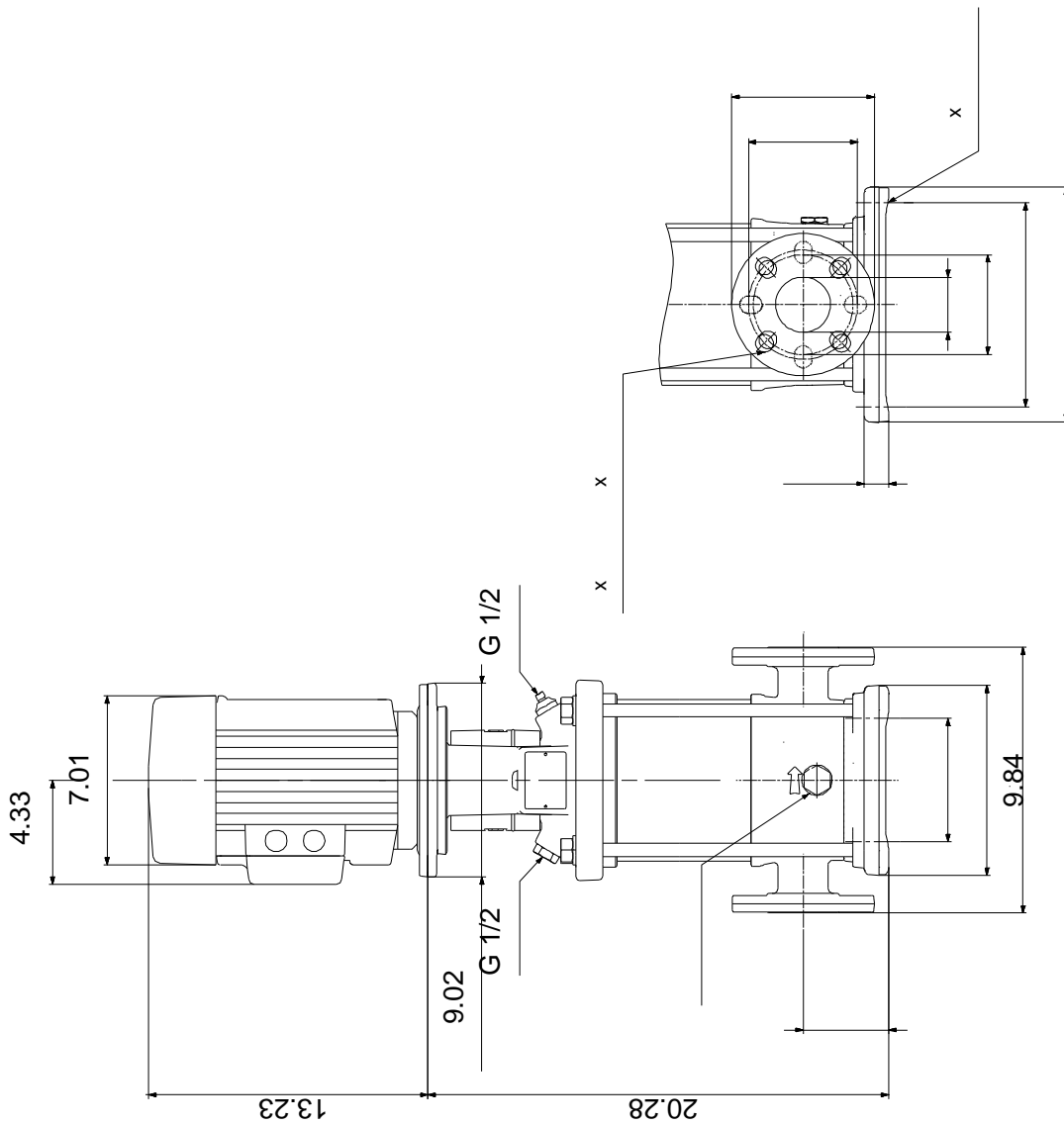
Phone:

Date:

2/20/2018

Description	Value
Starting current:	940-1040 %
Load current:	9,5-8,95/4,5 A
Cos phi - power factor:	0,89-0,86
Rated speed:	3510-3530 rpm
IE efficiency:	IE3 86,5%
Motor efficiency at full load:	86.5 %
Motor efficiency at 3/4 load:	86.5 %
Motor efficiency at 1/2 load:	84.0 %
Number of poles:	2
Enclosure class (IEC 34-5):	55 Dust/Jetting
Insulation class (IEC 85):	F
Motor protection:	NONE
Motor Number:	85903977
Controls:	
Frequency converter:	NONE
Others:	
Net weight:	95.6 lb
Gross weight:	110 lb
Shipping volume:	8.26 ft ³

96083582 CRI 3-13 60 Hz



Note! All units are in [mm] unless otherwise stated.
Disclaimer: This simplified dimensional drawing does not show all details.

96083582 CRI 3-13 60 Hz



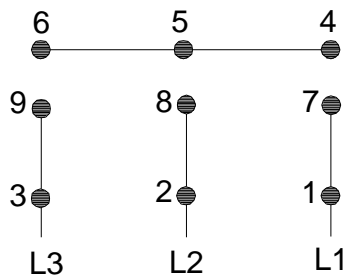
WARNING

MOTOR MUST BE GROUNDED IN ACCORDANCE WITH THE NATIONAL ELECTRICAL CODE AND LOCAL CODES BY TRAINED PERSONNEL TO PREVENT SERIOUS ELECTRICAL SHOCKS.

TO SERVICE MOTOR, DISCONNECT POWER SOURCE FROM MOTOR AND ANY ACCESSORY DEVICES AND ALLOW MOTOR TO COME TO A COMPLETE STAND STILL.

LOW VOLTAGE

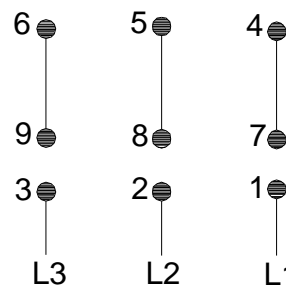
60Hz. 208-230V



HIGH VOLTAGE

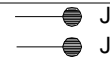
60Hz: 460V

50Hz: 400V



96553852

INTERCHANGE ANY TWO LINE WIRES TO REVERSE ROTATION
THERMOSTAT LEADS
(WHEN PROVIDED)





Company name:

Created by:

Phone:

Date: 2/20/2018

Order Data:

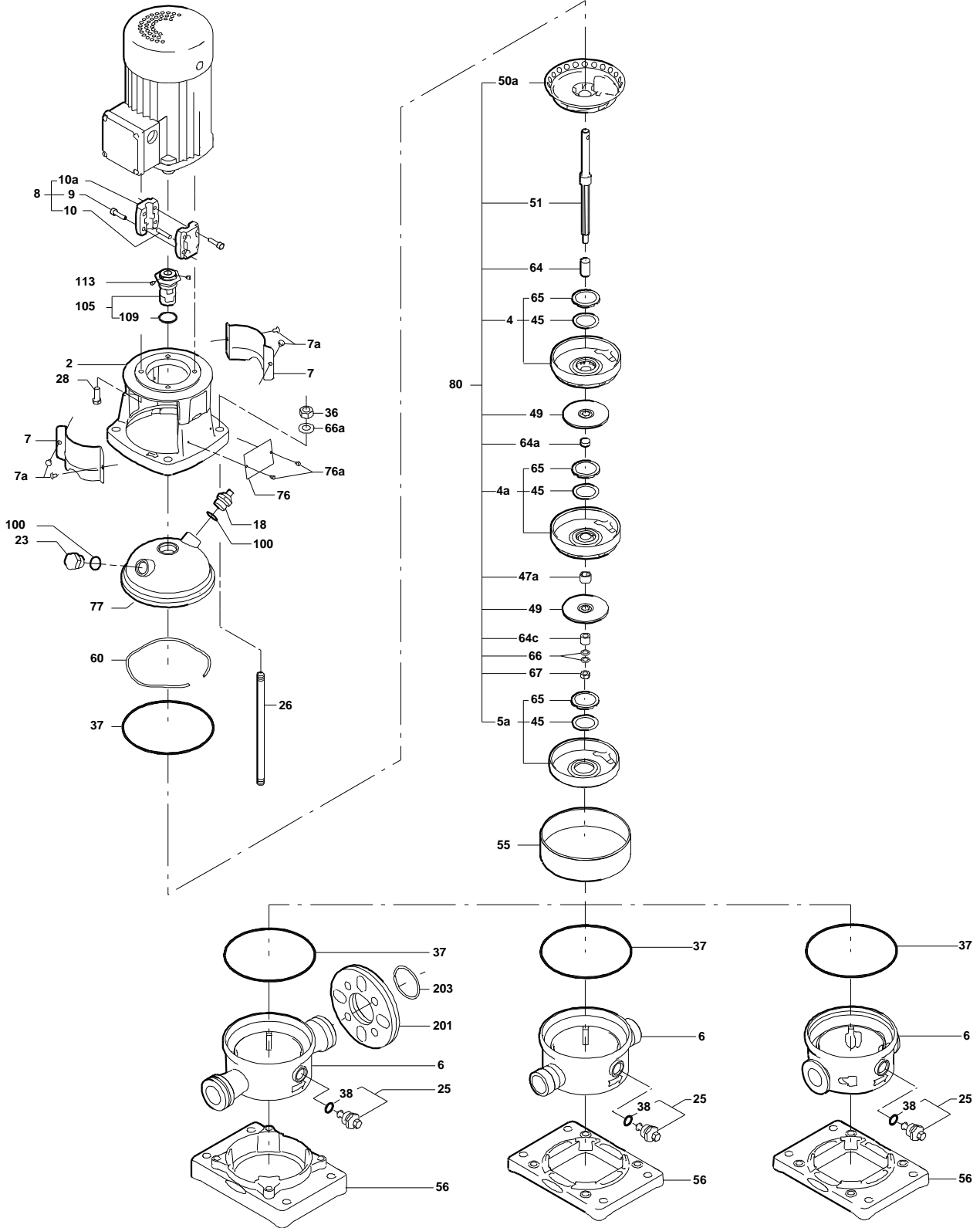
Product name: CRI 3-13 A-FGJ-I-E-HQQE

Amount: 1

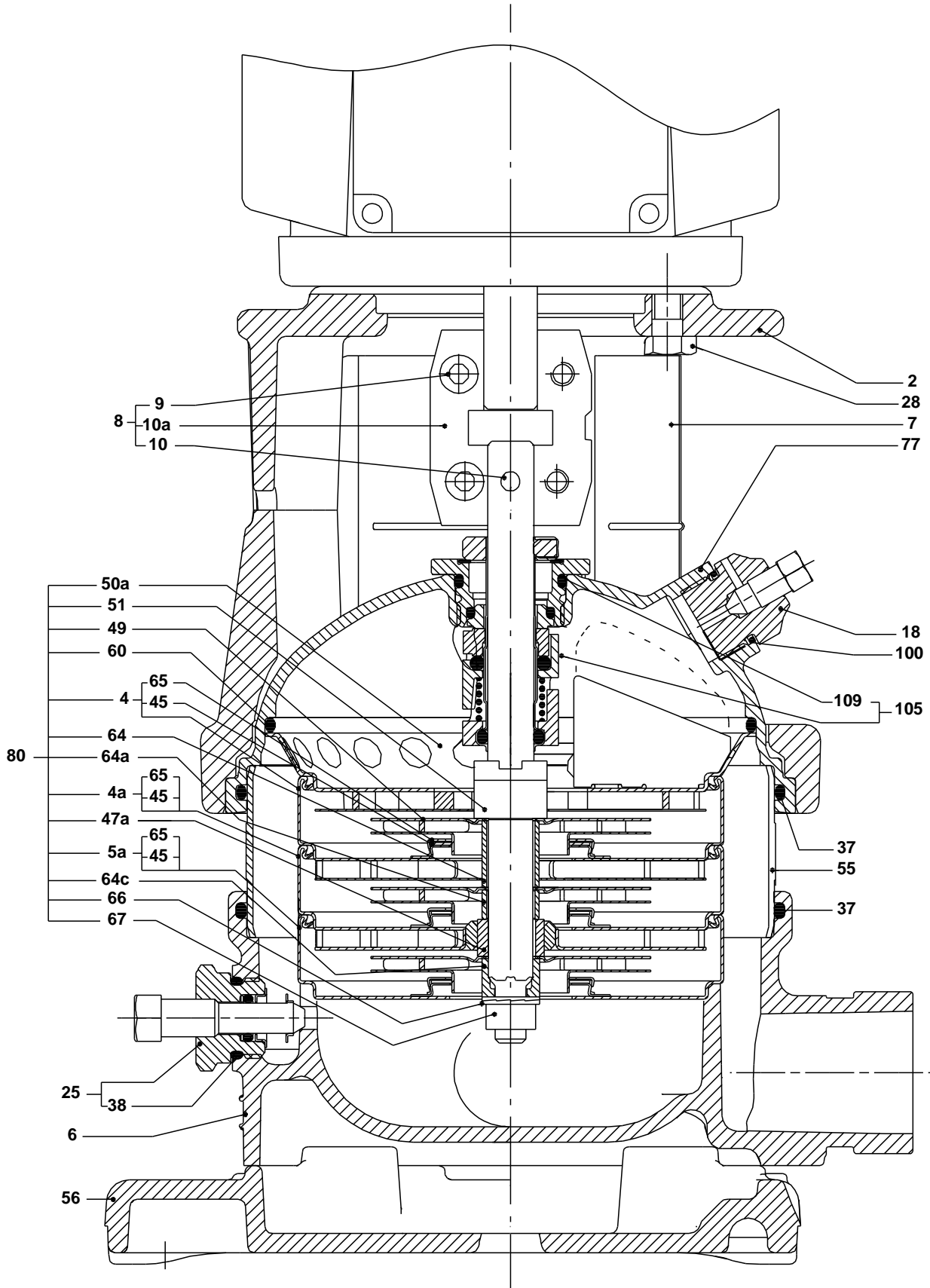
Product No.: 96083582

Total: Price on request

Exploded view (TM02 0212 4100)

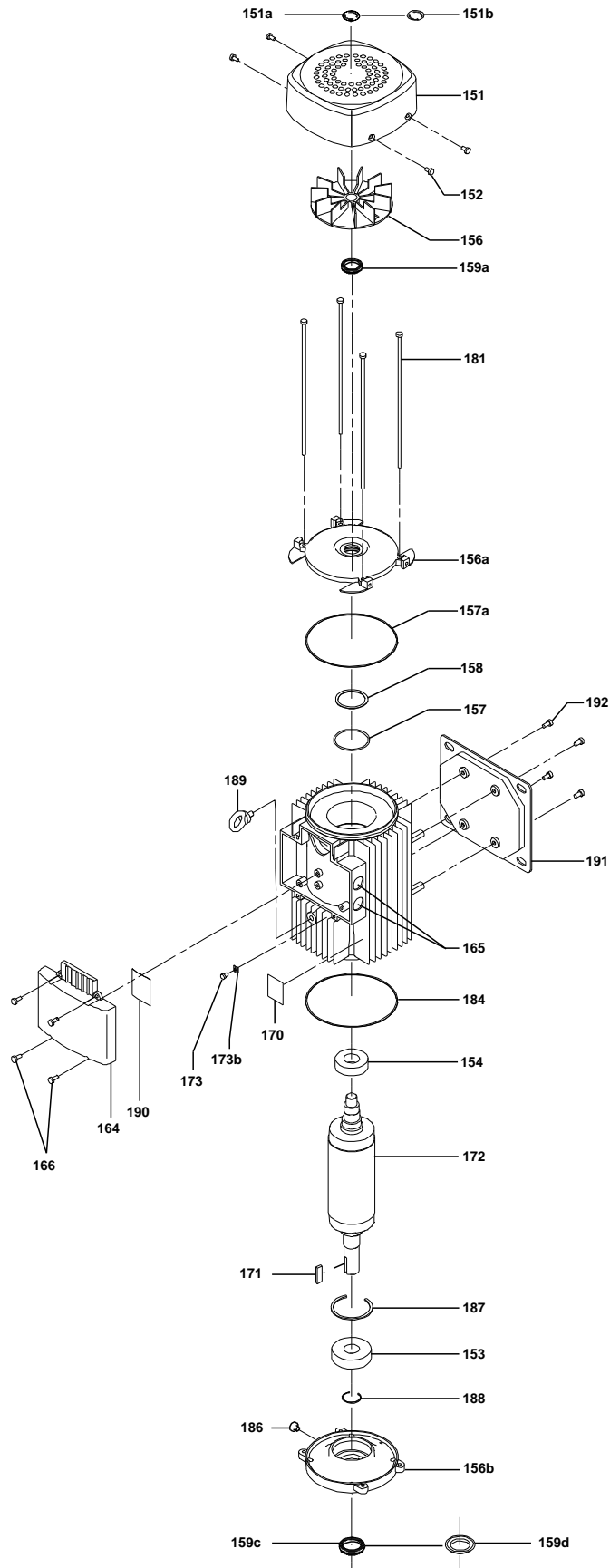


Sectional drawing (TM02 0215 4100)



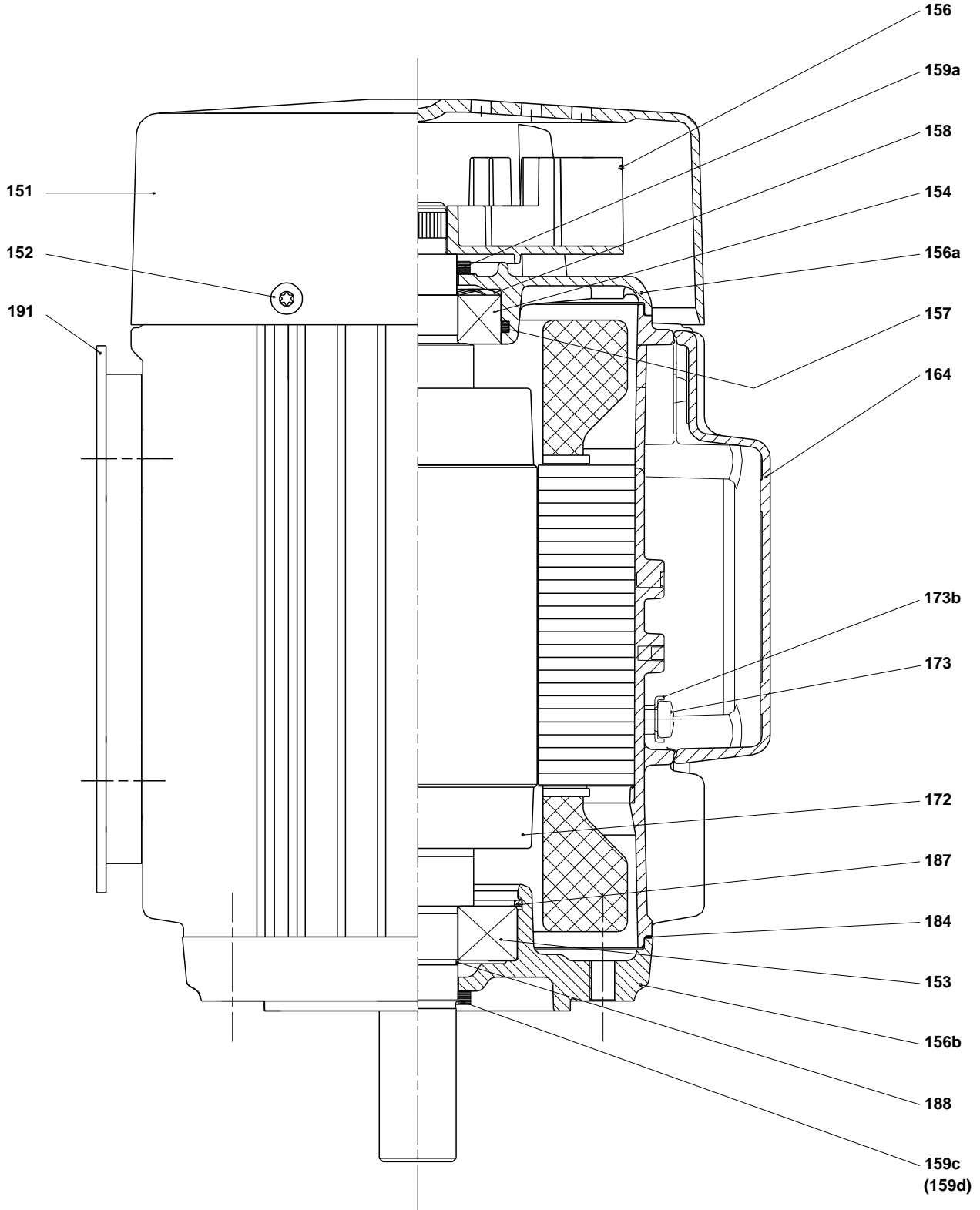
TM02

Exploded view (tm030553)



TM030553)

Sectional drawing (TM031465)



Parts list CRI 3-13, Prod number 96083582

Valid from 1.7.2011 (1127)

Position	Description	Annotation	Classification data	Part No.	Count	Unit
+	Motor				1	pcs
	Motor				1	pcs
-	Base cpl.				1	pcs
6	Base				1	
56	Base plate				1	
201.a	Flange				2	
203	Lock ring				2	
-	Sealing parts				1	pcs
- 25	Drain plug w/bypass valve				1	
38	O-ring		Diameter: 16,3 Material type: EPDM Thickness: 2,4			
37	O-ring				2	
100	O-ring		Diameter: 16,3 Material type: EPDM Thickness: 2,4		2	
- 2	Pump head cpl.				1	pcs
2	Motor stool				1	
7	Coupling guard				2	
7a	Thread cutting screw				4	
- 18	Air vent screw				1	
	Plug					
	Spindle					
- 25	Drain plug				1	
23	Pipe plug					
25	Drain plug					
28	Hex head cap screw		Length: 25 Thread: UNC 1/2"		4	
60	Formed wire spring				1	
77	Pump cover				1	
- 8	Coupling cpl.				1	pcs
9	Hex socket head cap screw		Designation: DIN 912 Length: 25 Thread: M8		4	
10	Shaft pin		Diameter: 5 Length: 26		1	
10a	Coupling half				2	
26	Staybolt		Length: 328 Thread: M12		4	pcs
36a	Washer		Designation: DIN 125 A Inner diameter: 13 Outer diameter: 24 Thickness: 2,5		4	pcs
55	Outer sleeve				1	pcs
66a	Nut		Thread: M12		4	pcs
- 80	Chamber stack				1	pcs
-	Guide vane cpl.				1	
	Guide vane					
	Plate					
50b	Top plate					
- 4	Chamber cpl.				10	
	Guide vane					
	Plate					

Position	Description	Annotation	Classification data	Part No.	Count	Unit
	Retainer					
	Intermediate chamber					
	Vane					
45	Neck ring					
65	Retainer					
- 4a	Chamber w. bearing cpl.				2	
	Guide vane					
	Retainer for bearing					
	Bearing bush					
	Retainer					
	Intermediate chamber					
	Vane					
45	Neck ring					
65	Retainer					
- 5a	Chamber cpl.				1	
	Retainer					
	Intermediate chamber					
	Vane					
45	Neck ring					
65	Retainer					
36	Lock nut		Thread: M8		1	
47a	Bearing ring, rotating				2	
49	Impeller cpl.				13	
51	Shaft, spline, cpl.				1	
64a	Spacing pipe				10	
64a	Spacing pipe		Inner diameter: 12,85		2	
			Outer diameter: 15,85			
			Length: 4,50			
64c	Clamp, splined		Inner diameter: 8,5		1	
			Outer diameter: 15			
66	Wedge lock washer				1	
- 105	Shaft seal		Material type: HQQE		1	pcs
	O-ring				1	
	O-ring				1	
	Seal driver, upper				1	
	Seal driver, lower				1	
	Spacer ring				1	
	Pipe				1	
	Plug				1	
	Plug				1	
	Compression spring				1	
	Socket set screw				1	
102	O-ring		Diameter: 22,00		1	
			Material type: EPDM			
			Thickness: 2,75			
103	Seal ring, stationary				1	
105	Seal ring, rotating				1	
107	O-ring				1	
113	Driver				1	