

PROJECT: _____	UNIT TAG: _____	QUANTITY: _____
REPRESENTATIVE: _____	TYPE OF SERVICE: _____	DATE: _____
ENGINEER: _____	SUBMITTED BY: _____	DATE: _____
CONTRACTOR: _____	APPROVED BY: _____	DATE: _____
	ORDER NO.: _____	DATE: _____

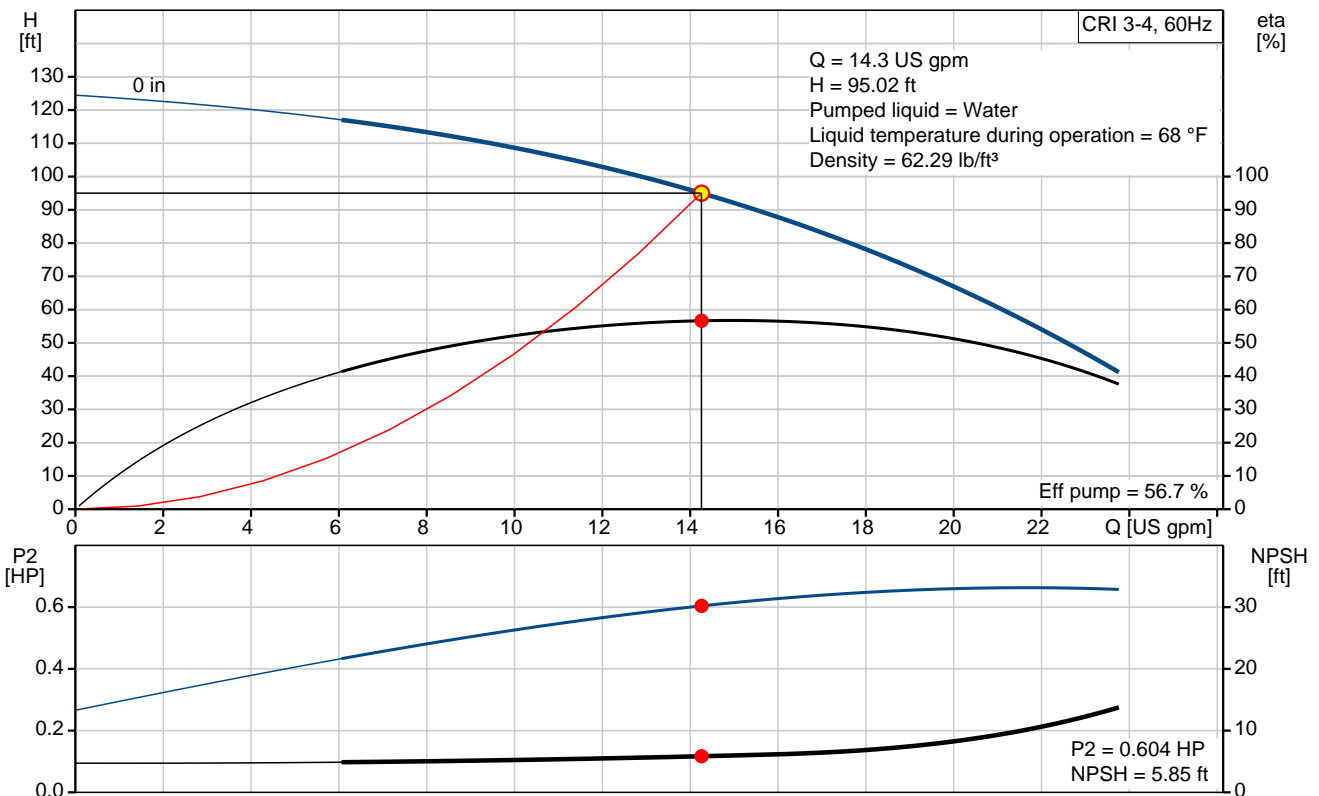


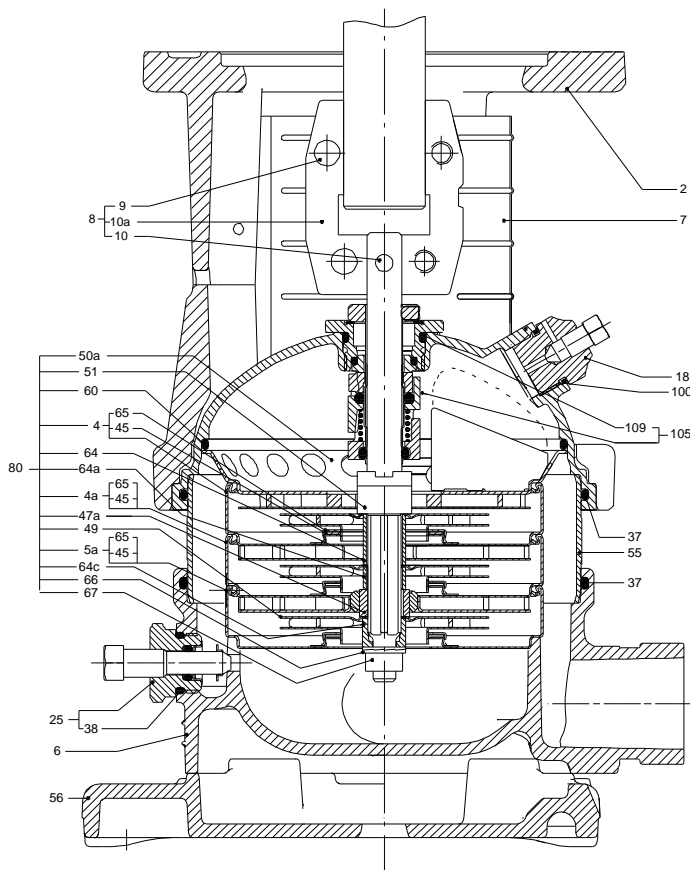
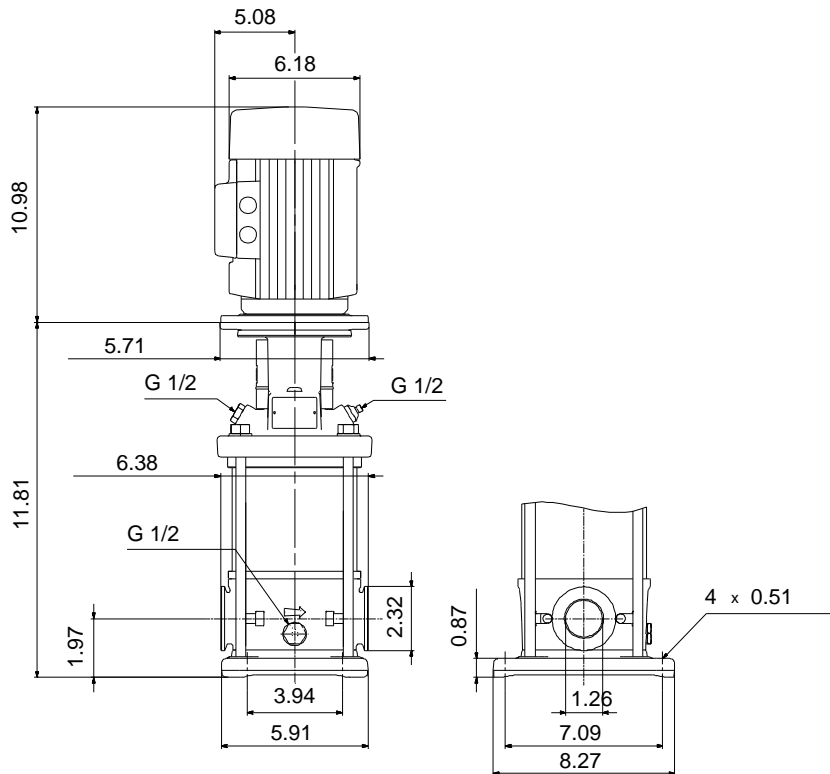
CRI 3-4

Vertical, multistage centrifugal pump with suction and discharge ports on the same level. The pump head and base are in cast iron. All wetted parts are in stainless steel (EN 1.4301) (AISI 304)

Product photo could vary from the actual product

Conditions of Service		Pump Data		Motor Data	
Flow:	14.3 US gpm	Max pressure at stated temperature:	363 psi / 250 °F	Rated power - P2:	0.75 HP
Head:	95.02 ft	Maximum ambient temperature:	104 °F	Rated voltage:	115/208-230 V
Efficiency:	_____	Approvals:	CURUS,NSF61	Main frequency:	60 Hz
Liquid:	Water	Shaft seal:	HQQE	Enclosure class:	54 Dust/Splashing
Temperature:	68 °F	Product number:	96083383	Insulation class:	B
NPSH required:	5.85 ft			Motor protection:	NONE
Viscosity:	_____			Motor type:	BALDOR
Specific Gravity:	1.000				





Materials:

- Base: Stainless steel
EN 1.4408
AISI 316
- Impeller: Stainless steel
AISI 304
EN 1.4301
- Material code: I
- Code for rubber: E

Tender Text



Product No.: [96083383](#)

CRI 3-4 A-CA-I-E-HQQE

Vertical, non-self-priming, multistage, in-line, centrifugal pump for installation in pipe systems and mounting on a foundation.

The pump has the following characteristics:

- Impellers, intermediate chambers and outer sleeve are made of
 - Pump head cover and base are made of
 - The shaft seal has assembly length according to EN 12756.
 - Power transmission is via cast iron split coupling.
- flanges/couplings.

The motor is a 1-phase AC motor.

Controls:

Frequency converter: NONE

Liquid:

Pumped liquid: Water
Liquid temperature during operation: 68 °F
Density: 62.29 lb/ft³

Technical:

Speed for pump data: 3464 rpm
Actual calculated flow: 14.3 US gpm
Resulting head of the pump: 95.02 ft
Pump orientation: Vertical
Shaft seal arrangement: Single
Code for shaft seal: HQQE
Approvals on nameplate: CURUS, NSF61
Curve tolerance: ISO9906:2012 3B

Materials:

Base: Stainless steel
EN 1.4408
AISI 316
Impeller: Stainless steel
EN 1.4301
AISI 304
Bearing material: SIC

Installation:

Maximum ambient temperature: 104 °F
Max pressure at stated temperature: 363 psi / 250 °F



Company name:

Created by:

Phone:

Date:

2/20/2018


Type of connection: 363 psi / -4 °F
FlexiClamp
Size of inlet connection: DN 32
Size of suction port: 1 1/4 inch
Size of outlet connection: DN 32
Size of outlet port: 1 1/4 inch
Pressure rating: PN 25
Flange size for motor: 56C

Electrical data:

Motor standard: NEMA
Motor type: BALDOR
IE Efficiency class: NA
Rated power - P2: 0.75 HP
Power (P2) required by pump: 0.75 HP
Main frequency: 60 Hz
Rated voltage: 1 x 115/208-230 V
Service factor: 1.25
Rated current: 9,60/5,00-4,80 A
Rated speed: 3450 rpm
Number of poles: 2
Enclosure class (IEC 34-5): 54 Dust/Splashing
Insulation class (IEC 85): B

Others:

Net weight: 52.1 lb
Gross weight: 63.1 lb
Shipping volume: 4.94 ft³

Position	Count	Description
	1	<p>CRI 3-4 A-CA-I-E-HQQE</p>  <p>Product No.: 96083383 Vertical, non-self-priming, multistage, in-line, centrifugal pump for installation in pipe systems and mounting on a foundation.</p> <p>The pump has the following characteristics:</p> <ul style="list-style-type: none"> - Impellers, intermediate chambers and outer sleeve are made of - Pump head cover and base are made of - The shaft seal has assembly length according to EN 12756. - Power transmission is via cast iron split coupling flanges/couplings. <p>The motor is a 1-phase AC motor.</p> <p>Controls: Frequency converter: NONE</p> <p>Liquid: Pumped liquid: Water Liquid temperature during operation: 68 °F Density: 62.29 lb/ft³</p> <p>Technical: Speed for pump data: 3464 rpm Actual calculated flow: 14.3 US gpm Resulting head of the pump: 95.02 ft Pump orientation: Vertical Shaft seal arrangement: Single Code for shaft seal: HQQE Approvals on nameplate: CURUS,NSF61 Curve tolerance: ISO9906:2012 3B</p> <p>Materials: Base: Stainless steel EN 1.4408 AISI 316 Impeller: Stainless steel EN 1.4301 AISI 304 Bearing material: SIC</p> <p>Installation: Maximum ambient temperature: 104 °F Max pressure at stated temperature: 363 psi / 250 °F 363 psi / -4 °F</p>



Company name:

Created by:

Phone:

Date:

2/20/2018

Position	Count	Description
		Type of connection: FlexiClamp Size of inlet connection: DN 32 Size of suction port: 1 1/4 inch Size of outlet connection: DN 32 Size of outlet port: 1 1/4 inch Pressure rating: PN 25 Flange size for motor: 56C Electrical data: Motor standard: NEMA Motor type: BALDOR IE Efficiency class: NA Rated power - P2: 0.75 HP Power (P2) required by pump: 0.75 HP Main frequency: 60 Hz Rated voltage: 1 x 115/208-230 V Service factor: 1.25 Rated current: 9,60/5,00-4,80 A Rated speed: 3450 rpm Number of poles: 2 Enclosure class (IEC 34-5): 54 Dust/Splashing Insulation class (IEC 85): B Others: Net weight: 52.1 lb Gross weight: 63.1 lb Shipping volume: 4.94 ft ³



Company name:

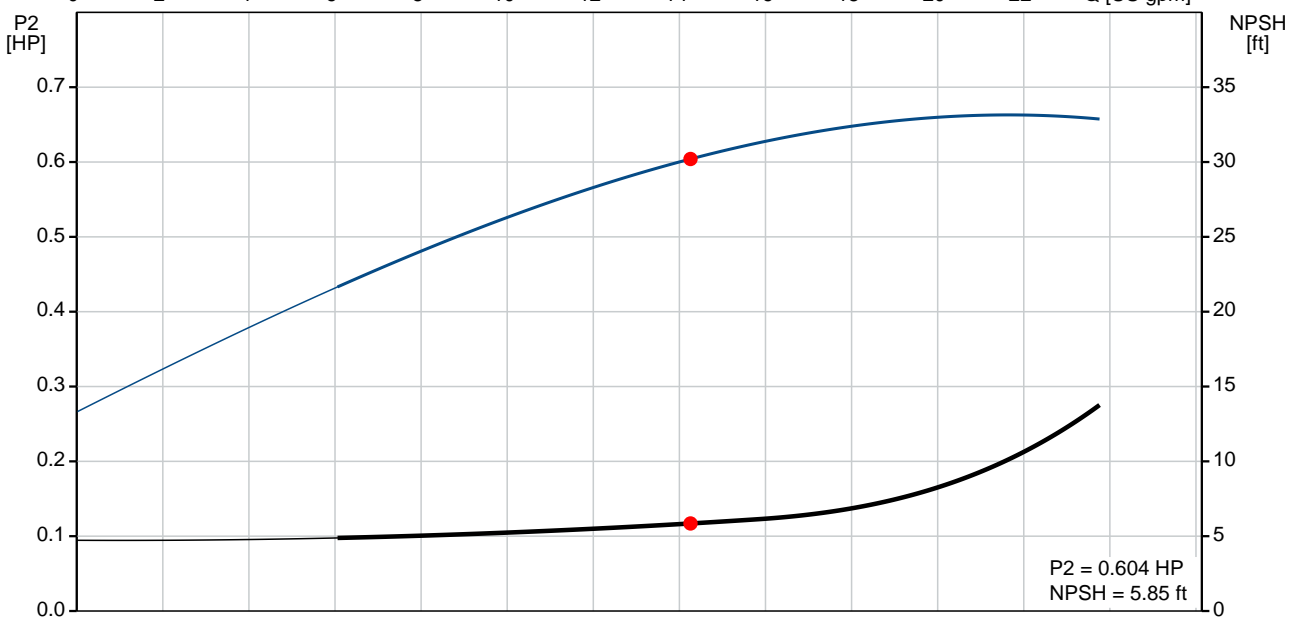
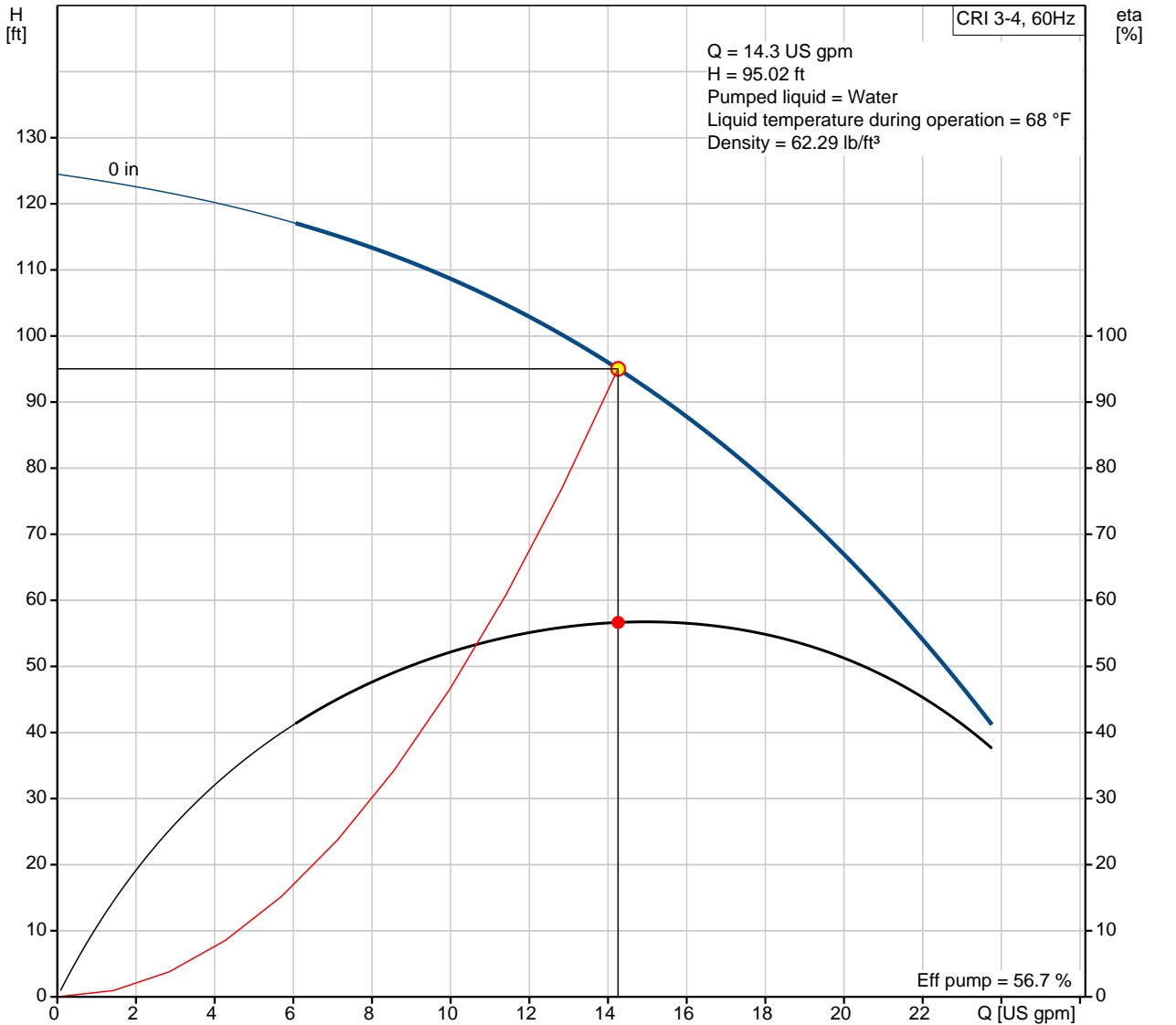
Created by:

Phone:

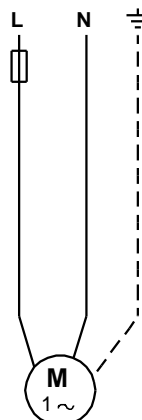
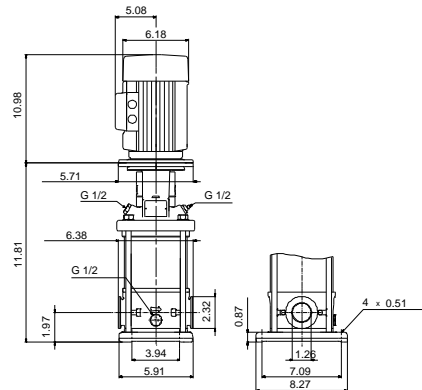
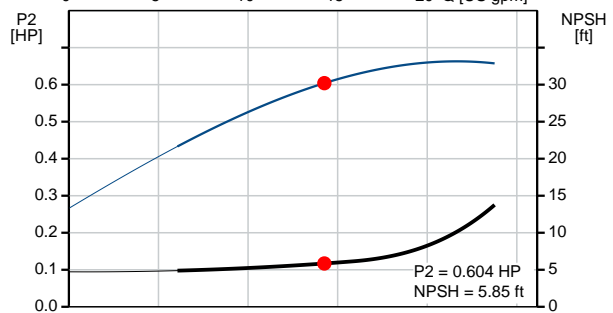
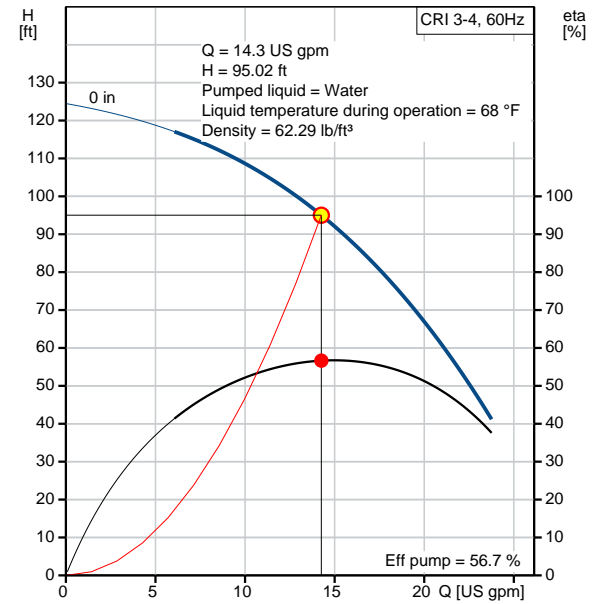
Date:

2/20/2018

96083383 CRI 3-4 60 Hz



Description	Value
General information:	
Product name:	CRI 3-4 A-CA-I-E-HQQE
Product No.:	96083383
EAN:	5700395185812
Technical:	
Speed for pump data:	3464 rpm
Actual calculated flow:	14.3 US gpm
Resulting head of the pump:	95.02 ft
Stages:	4
Impellers:	4
Low NPSH:	N
Pump orientation:	Vertical
Shaft seal arrangement:	Single
Code for shaft seal:	HQQE
Approvals on nameplate:	CURUS,NSF61
Curve tolerance:	ISO9906:2012 3B
Pump version:	A
Model:	A
Cooling:	TEFC
Materials:	
Base:	Stainless steel EN 1.4408 AISI 316
Impeller:	Stainless steel EN 1.4301 AISI 304
Material code:	I
Code for rubber:	E
Bearing material:	SIC
Installation:	
Maximum ambient temperature:	104 °F
Max pressure at stated temperature:	363 psi / 250 °F 363 psi / -4 °F
Type of connection:	FlexiClamp
Connect code:	CA
Size of inlet connection:	DN 32
Size of suction port:	1 1/4 inch
Size of outlet connection:	DN 32
Size of outlet port:	1 1/4 inch
Pressure rating:	PN 25
Flange size for motor:	56C
Liquid:	
Pumped liquid:	Water
Liquid temperature during operation:	68 °F
Density:	62.29 lb/ft³
Electrical data:	
Motor standard:	NEMA
Motor type:	BALDOR
IE Efficiency class:	NA
Rated power - P2:	0.75 HP
Power (P2) required by pump:	0.75 HP
Main frequency:	60 Hz
Rated voltage:	1 x 115/208-230 V
Service factor:	1.25





Company name:

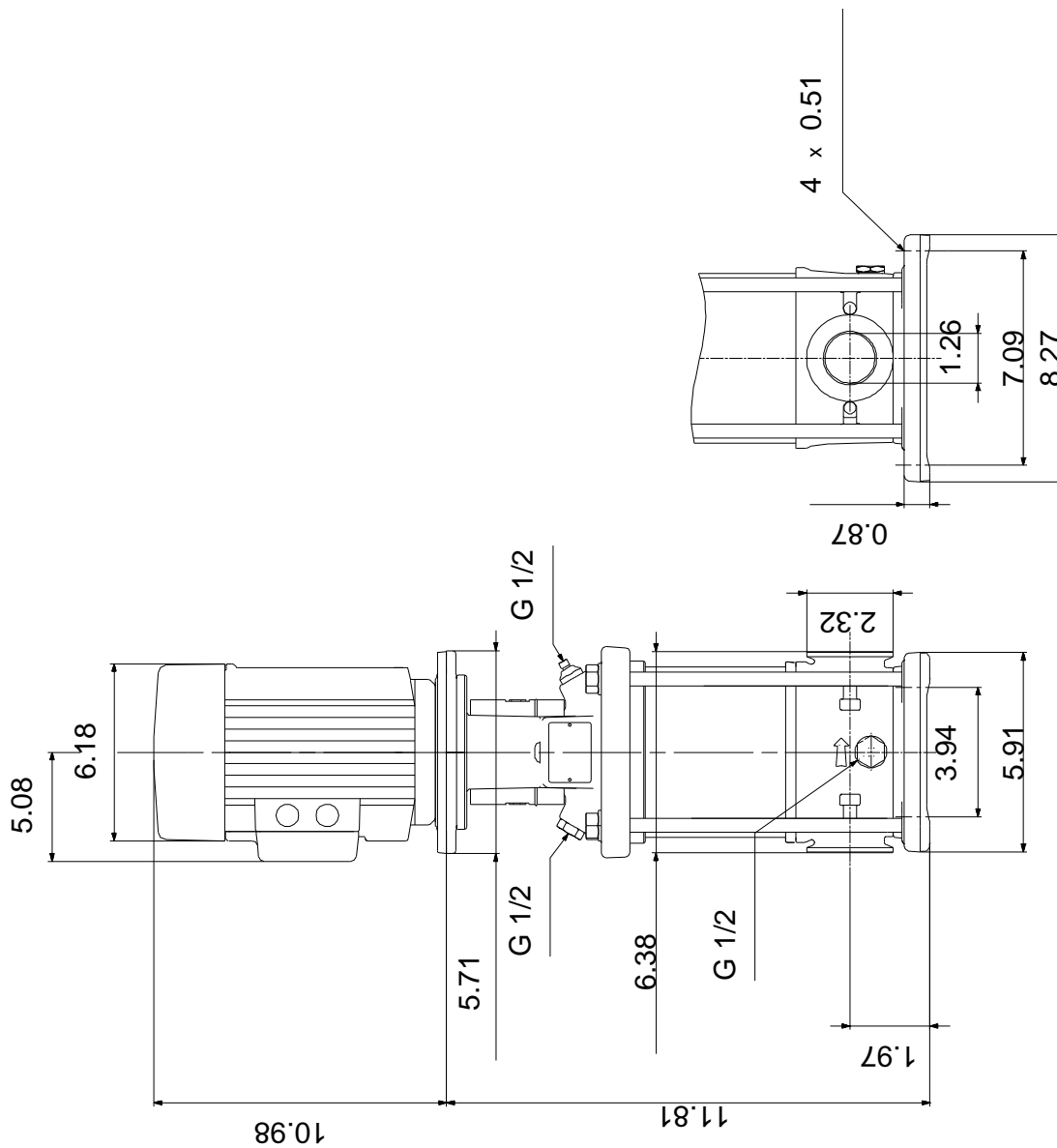
Created by:

Phone:

Date: 2/20/2018

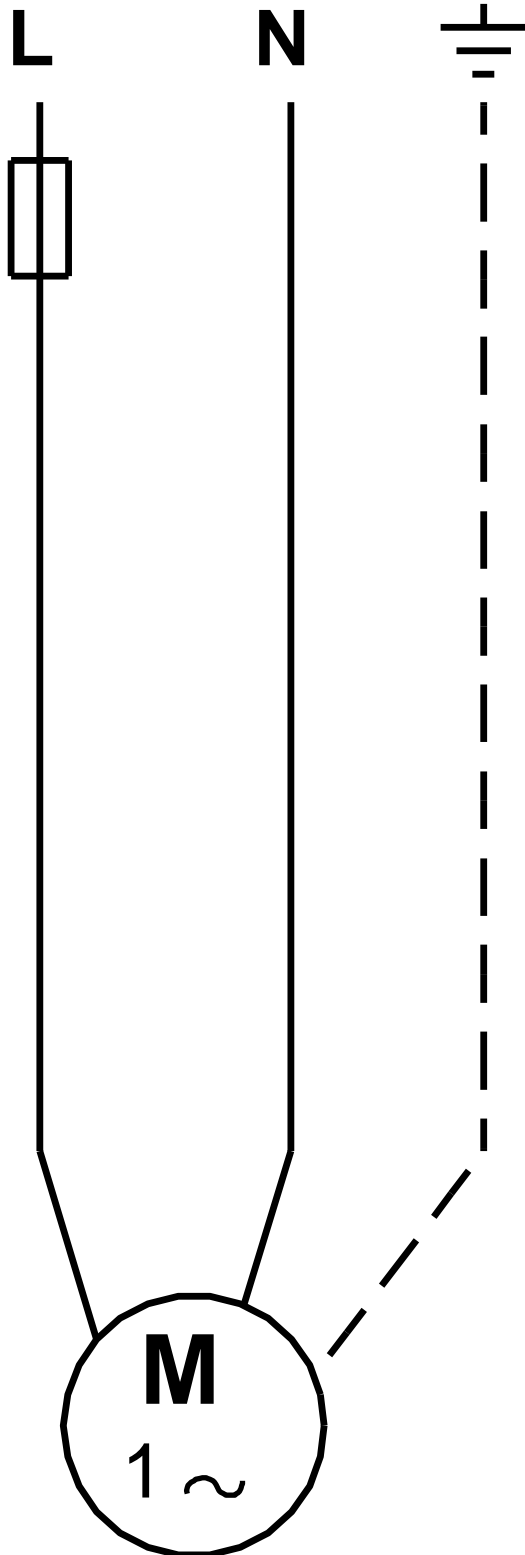
Description	Value
Rated current:	9,60/5,00-4,80 A
Load current:	11.4/6.0-5.7 A
Rated speed:	3450 rpm
Number of poles:	2
Enclosure class (IEC 34-5):	54 Dust/Splashing
Insulation class (IEC 85):	B
Motor protection:	NONE
Motor Number:	84Z04001
Controls:	
Frequency converter:	NONE
Others:	
Net weight:	52.1 lb
Gross weight:	63.1 lb
Shipping volume:	4.94 ft ³

96083383 CRI 3-4 60 Hz



Note! All units are in [mm] unless otherwise stated.
 Disclaimer: This simplified dimensional drawing does not show all details.

96083383 CRI 3-4 60 Hz



All units are [mm] unless otherwise presented.



Company name:

Created by:

Phone:

Date: 2/20/2018

Order Data:

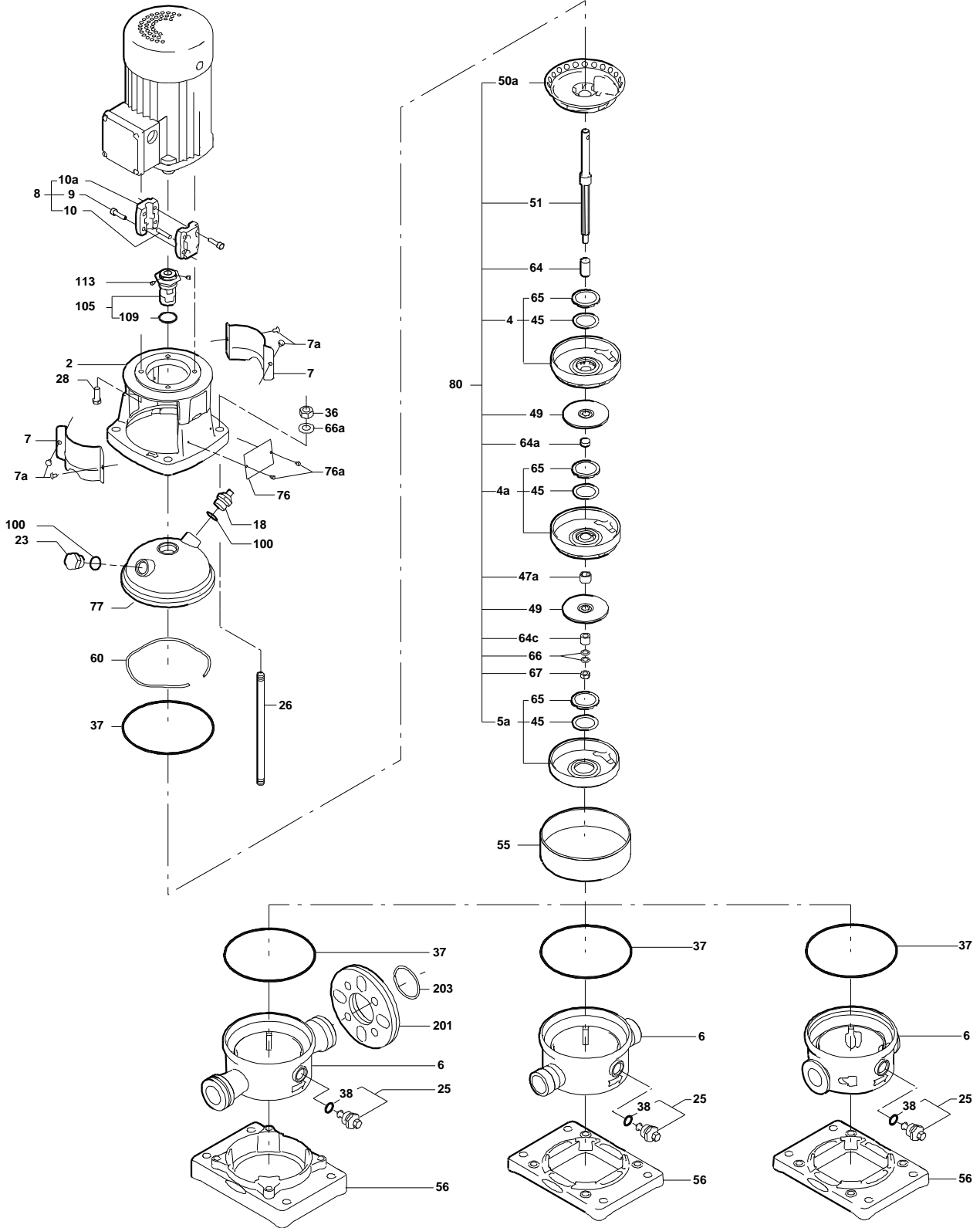
Product name: CRI 3-4 A-CA-I-E-HQQE

Amount: 1

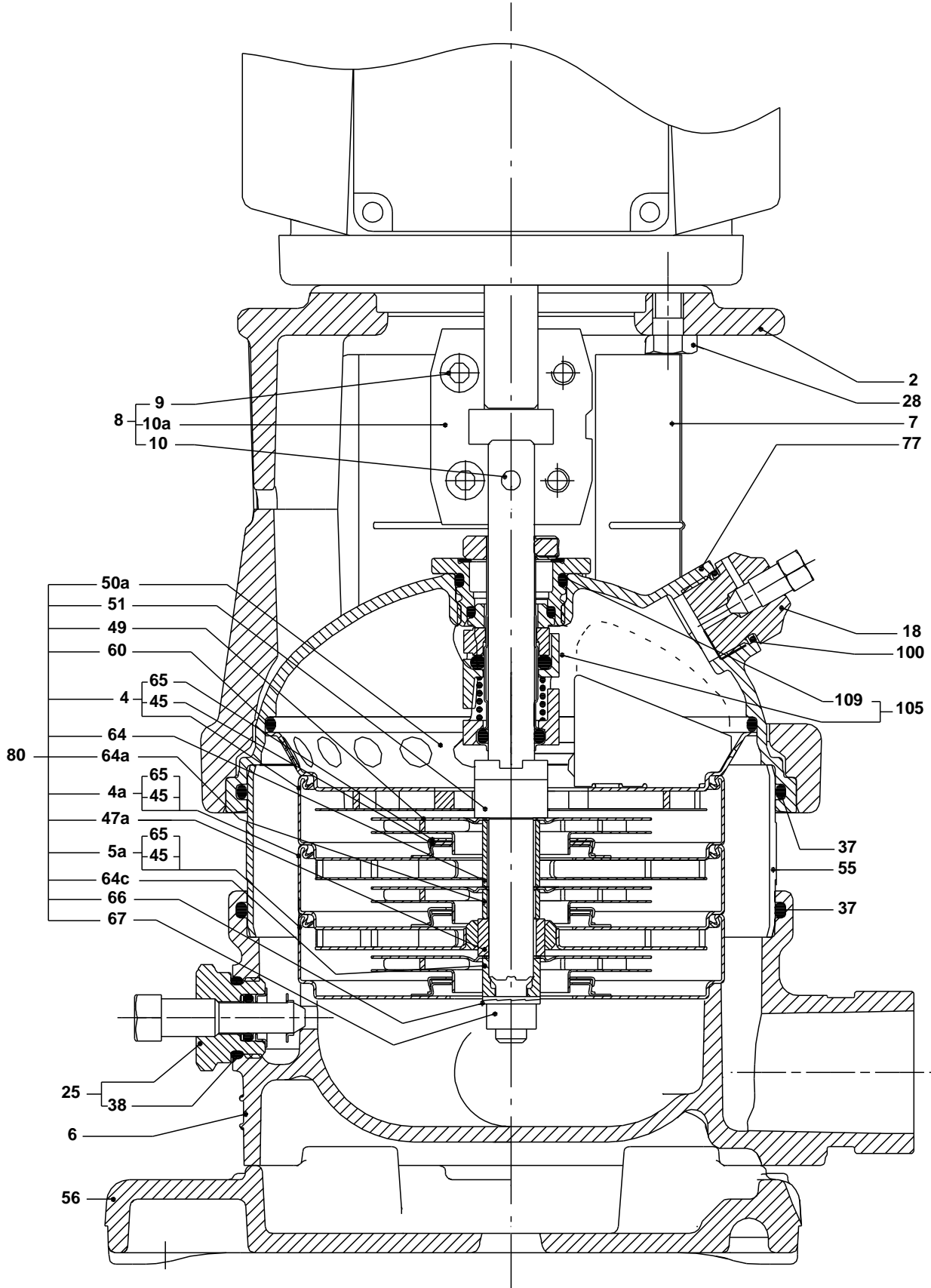
Product No.: 96083383

Total: Price on request

Exploded view (TM02 0212 4100)



Sectional drawing (TM02 0215 4100)



TM02

Parts list CRI 3-4, Prod number 96083383

Valid from 1.1.2004 (0401)

Position	Description	Annotation	Classification data	Part No.	Count	Unit
	Motor				1	pcs
+	Base cpl.				1	pcs
-	Sealing parts				1	pcs
- 25	Drain plug w/bypass valve				1	
38	O-ring		Diameter: 16,3			
			Material type: EPDM			
			Thickness: 2,4			
37	O-ring				2	
100	O-ring		Diameter: 16,3		2	
			Material type: EPDM			
			Thickness: 2,4			
- 2	Pump head cpl.				1	pcs
2	Motor stool				1	
7	Coupling guard				2	
7a	Thread cutting screw				4	
- 18	Air vent screw				1	
	Plug					
	Spindle					
- 25	Drain plug				1	
23	Pipe plug					
25	Drain plug					
28	Hex head cap screw		Length: 25		4	
			Thread: UNC 3/8"			
60	Formed wire spring				1	
77	Pump cover				1	
+	8 Coupling cpl.				1	pcs
26	Staybolt		Length: 169		4	pcs
			Thread: M12			
36a	Washer		Designation: DIN 125 A		4	pcs
			Inner diameter: 13			
			Outer diameter: 24			
			Thickness: 2,5			
55	Outer sleeve				1	pcs
66a	Nut		Thread: M12		4	pcs
- 80	Chamber stack				1	pcs
-	Guide vane cpl.				1	
	Guide vane					
	Plate					
50b	Top plate					
- 4	Chamber cpl.				2	
	Guide vane					
	Plate					
	Retainer					
	Intermediate chamber					
	Vane					
45	Neck ring					
65	Retainer					
- 4a	Chamber w. bearing cpl.				1	
	Guide vane					
	Retainer for bearing					
	Bearing bush					
	Retainer					
	Intermediate chamber					

Position	Description	Annotation	Classification data	Part No.	Count	Unit
	Vane					
45	Neck ring					
65	Retainer					
- 5a	Chamber cpl.				1	
	Retainer					
	Intermediate chamber					
	Vane					
45	Neck ring					
65	Retainer					
36	Lock nut		Thread: M8		1	
47a	Bearing ring, rotating				1	
49	Impeller cpl.				4	
51	Shaft, spline, cpl.				1	
64a	Spacing pipe				2	
64a	Spacing pipe		Inner diameter: 12,85		1	
			Outer diameter: 15,85			
			Length: 4,50			
64c	Clamp, splined		Inner diameter: 8,5		1	
			Outer diameter: 15			
66	Wedge lock washer				1	
- 105	Shaft seal		Material type: HQQE		1	pcs
	O-ring				1	
	O-ring				1	
	Seal driver, upper				1	
	Seal driver, lower				1	
	Spacer ring				1	
	Pipe				1	
	Plug				1	
	Plug				1	
	Compression spring				1	
	Socket set screw				1	
102	O-ring		Diameter: 22,00		1	
			Material type: EPDM			
			Thickness: 2,75			
103	Seal ring, stationary				1	
105	Seal ring, rotating				1	
107	O-ring				1	
113	Driver				1	