

| | | |
|-----------------------|------------------------|-----------------|
| PROJECT: _____ | UNIT TAG: _____ | QUANTITY: _____ |
| REPRESENTATIVE: _____ | TYPE OF SERVICE: _____ | DATE: _____ |
| ENGINEER: _____ | SUBMITTED BY: _____ | DATE: _____ |
| CONTRACTOR: _____ | APPROVED BY: _____ | DATE: _____ |
| | ORDER NO.: _____ | DATE: _____ |

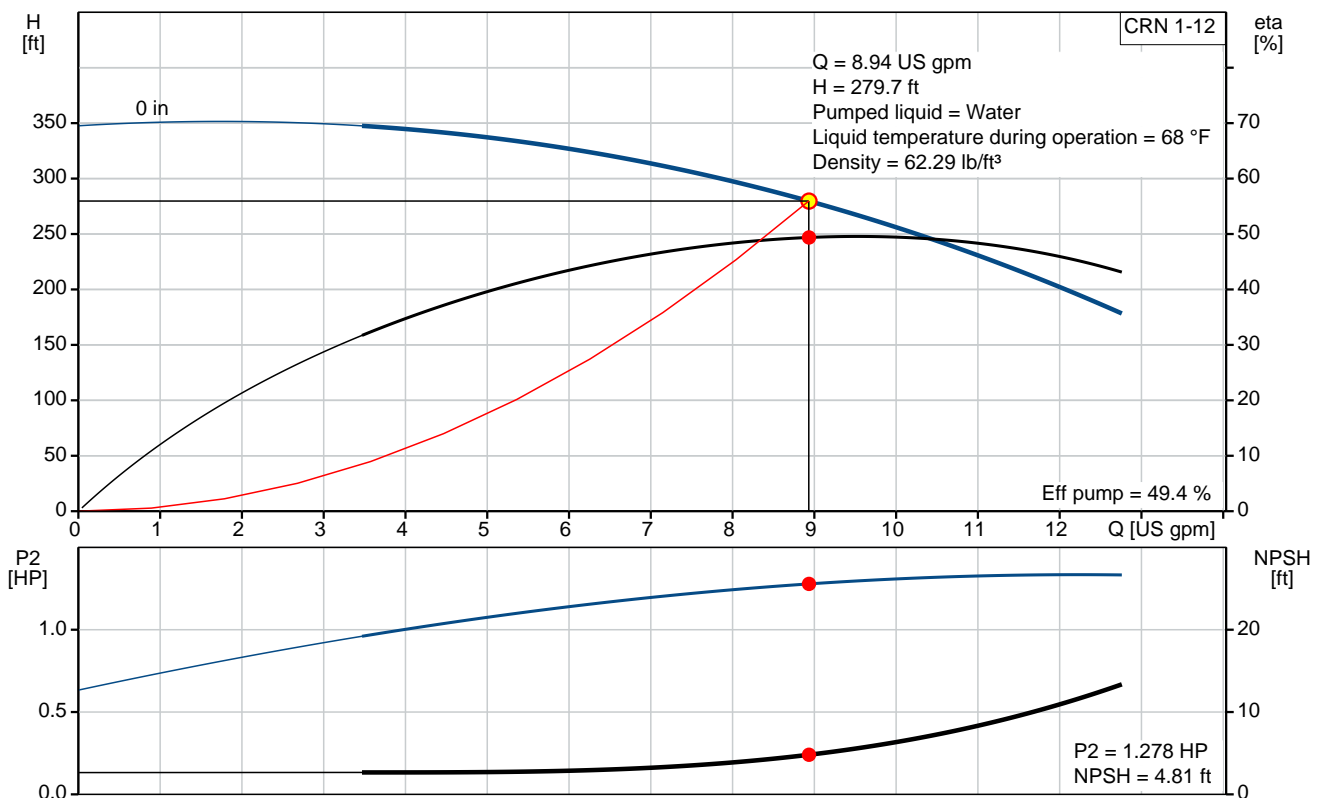


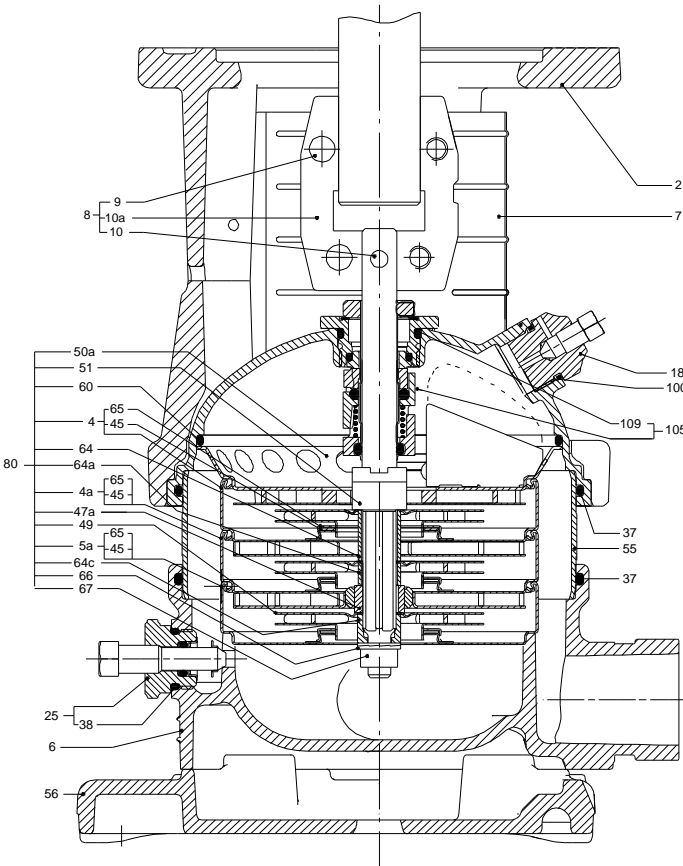
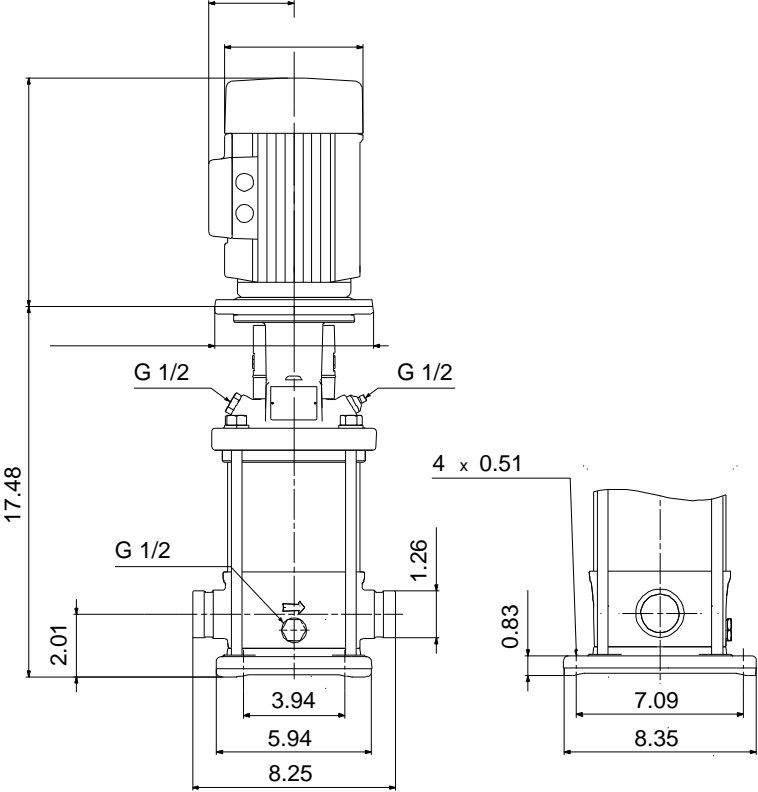
CRN 1-12

Vertical, multistage centrifugal pump with suction and discharge ports on same the level. Pump materials in contact with the liquid are in high-grade stainless steel (EN 1.4401) (AISI 316)

Product photo could vary from the actual product

| Conditions of Service | | Pump Data | | Motor Data | |
|-----------------------|-------------|-------------------------------------|------------------|-----------------|-------|
| Flow: | 8.94 US gpm | Max pressure at stated temperature: | 363 psi / 250 °F | Main frequency: | 60 Hz |
| Head: | 279.7 ft | Approvals: | NSF61 | | |
| Efficiency: | _____ | Shaft seal: | HQQE | | |
| Liquid: | Water | Product number: | 96082671 | | |
| Temperature: | 68 °F | | | | |
| NPSH required: | 4.81 ft | | | | |
| Viscosity: | _____ | | | | |
| Specific Gravity: | 1.000 | | | | |





Materials:
 Base: Stainless steel
 EN 1.4408
 AISI 316
 Impeller: Stainless steel
 AISI 316
 EN 1.4401
 Material code: G
 Code for rubber: E

Tender Text



Product photo could vary from the actual product

Product No.: [96082671](#)

CRN 1-12 A-P-G-E-HQQE

Vertical, non-self-priming, multistage, in-line, centrifugal pump for installation in pipe systems and mounting on a foundation.

The pump has the following characteristics:

- Impellers, intermediate chambers and outer sleeve are made of
- Pump head cover and base are made of
- The shaft seal has assembly length according to EN 12756.
- Power transmission is via cast iron split coupling.
flanges/couplings.

Controls:

Frequency converter: NONE

Liquid:

Pumped liquid: Water
Liquid temperature during operation: 68 °F
Density: 62.29 lb/ft³

Technical:

Speed for pump data: 3466 rpm
Actual calculated flow: 8.94 US gpm
Resulting head of the pump: 279.7 ft
Pump orientation: Vertical
Shaft seal arrangement: Single
Code for shaft seal: HQQE
Approvals on nameplate: NSF61
Curve tolerance: ISO9906:2012 3B

Materials:

Base: Stainless steel
EN 1.4408
AISI 316
Impeller: Stainless steel
EN 1.4401
AISI 316
Bearing material: SIC



Company name:

Created by:

Phone:

Date:

2/20/2018

Installation:

Max pressure at stated temperature: 363 psi / 250 °F
363 psi / -4 °F

Type of connection: PJE
Size of inlet connection: DN 32
Size of suction port: 1 1/4 inch
Size of outlet connection: DN 32
Size of outlet port: 1 1/4 inch
Pressure rating: PN 50
Flange size for motor: 56C

Electrical data:

Motor standard: NEMA
Power (P2) required by pump: 1.5 HP

Others:

Net weight: 33.5 lb
Gross weight: 48 lb
Shipping volume: 4.94 ft³

| Position | Count | Description |
|----------|-------|--|
| | 1 | <p>CRN 1-12 A-P-G-E-HQQE</p>  <p style="text-align: right;">Product photo could vary from the actual product</p> <p>Product No.: 96082671 Vertical, non-self-priming, multistage, in-line, centrifugal pump for installation in pipe systems and mounting on a foundation.</p> <p>The pump has the following characteristics:</p> <ul style="list-style-type: none"> - Impellers, intermediate chambers and outer sleeve are made of - Pump head cover and base are made of - The shaft seal has assembly length according to EN 12756. - Power transmission is via cast iron split coupling. <p>flanges/couplings.</p> <p>Controls: Frequency converter: NONE</p> <p>Liquid: Pumped liquid: Water Liquid temperature during operation: 68 °F Density: 62.29 lb/ft³</p> <p>Technical: Speed for pump data: 3466 rpm Actual calculated flow: 8.94 US gpm Resulting head of the pump: 279.7 ft Pump orientation: Vertical Shaft seal arrangement: Single Code for shaft seal: HQQE Approvals on nameplate: NSF61 Curve tolerance: ISO9906:2012 3B</p> <p>Materials: Base: Stainless steel EN 1.4408 AISI 316 Impeller: Stainless steel EN 1.4401 AISI 316 Bearing material: SIC</p> <p>Installation:</p> |



Company name:

Created by:

Phone:

Date:

2/20/2018

| Position | Count | Description |
|----------|-------|---|
| | | Max pressure at stated temperature: 363 psi / 250 °F 363 psi / -4 °F |
| | | Type of connection: PJE |
| | | Size of inlet connection: DN 32 |
| | | Size of suction port: 1 1/4 inch |
| | | Size of outlet connection: DN 32 |
| | | Size of outlet port: 1 1/4 inch |
| | | Pressure rating: PN 50 |
| | | Flange size for motor: 56C |
| | | Electrical data: |
| | | Motor standard: NEMA |
| | | Power (P2) required by pump: 1.5 HP |
| | | Others: |
| | | Net weight: 33.5 lb |
| | | Gross weight: 48 lb |
| | | Shipping volume: 4.94 ft ³ |



Company name:

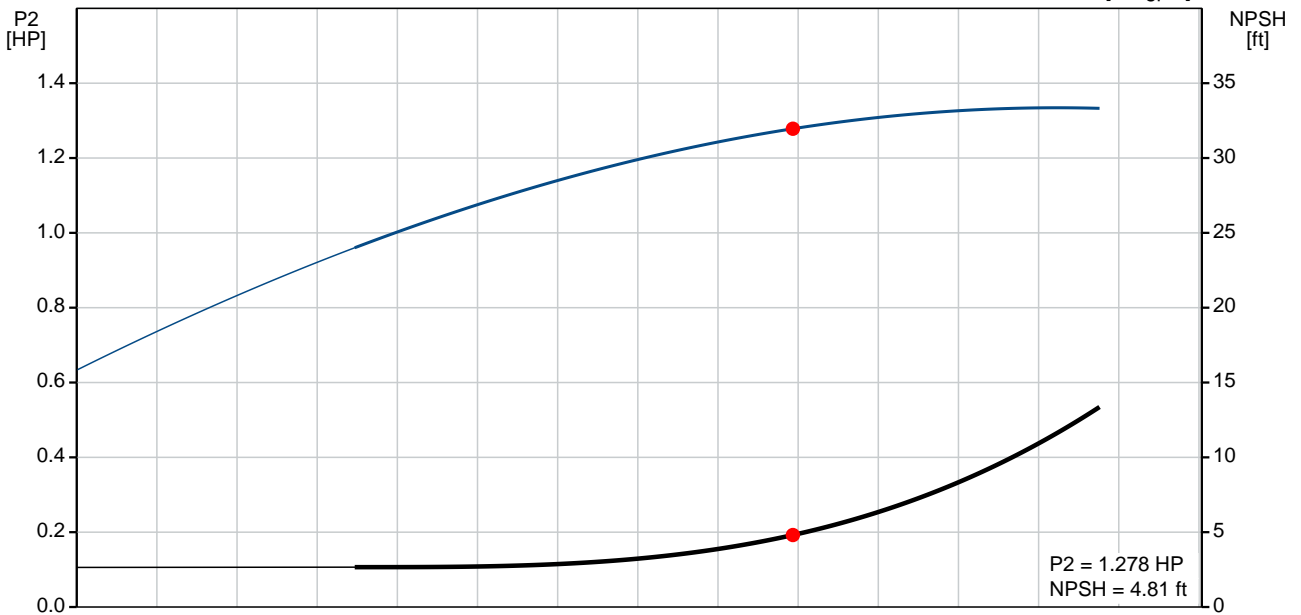
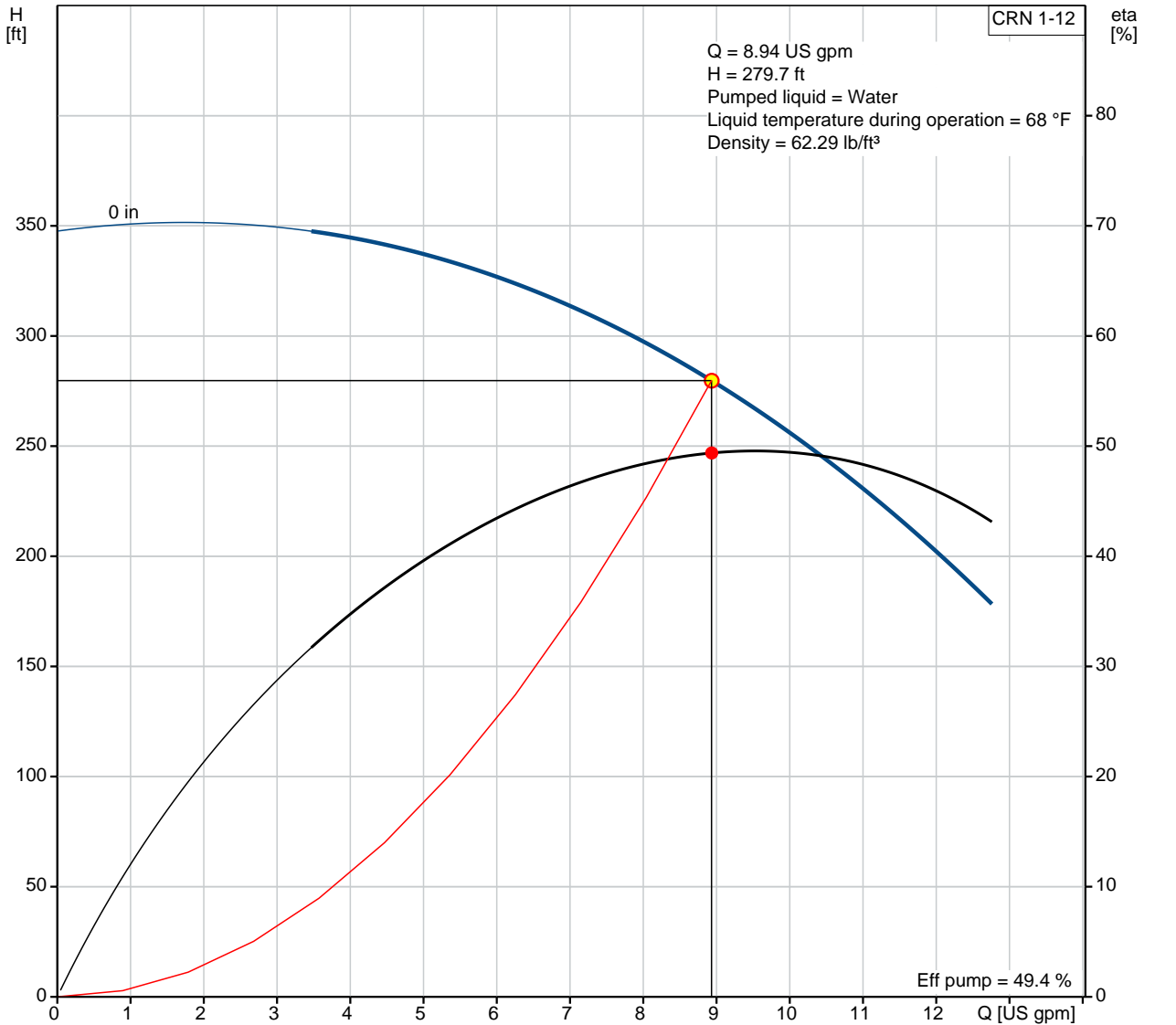
Created by:

Phone:

Date:

2/20/2018

96082671 CRN 1-12 60 Hz



| Description | Value |
|-----------------------------|-----------------------|
| General information: | |
| Product name: | CRN 1-12 A-P-G-E-HQQE |
| Product No.: | 96082671 |
| EAN: | 5700395174090 |
| Technical: | |
| Speed for pump data: | 3466 rpm |
| Actual calculated flow: | 8.94 US gpm |
| Resulting head of the pump: | 279.7 ft |
| Stages: | 12 |
| Impellers: | 12 |
| Low NPSH: | N |
| Pump orientation: | Vertical |
| Shaft seal arrangement: | Single |
| Code for shaft seal: | HQQE |
| Approvals on nameplate: | NSF61 |
| Curve tolerance: | ISO9906:2012 3B |
| Pump version: | A |
| Model: | A |

| | |
|-------------------|--|
| Materials: | |
| Base: | Stainless steel EN 1.4408 AISI 316 |
| Impeller: | Stainless steel EN 1.4401 AISI 316 |
| Material code: | G |
| Code for rubber: | E |
| Bearing material: | SIC |

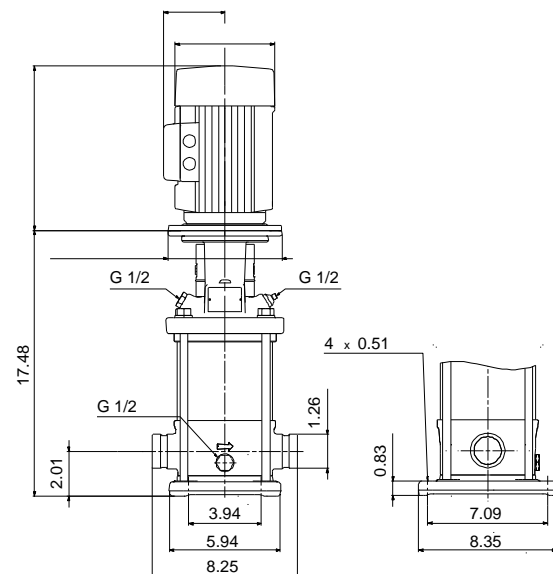
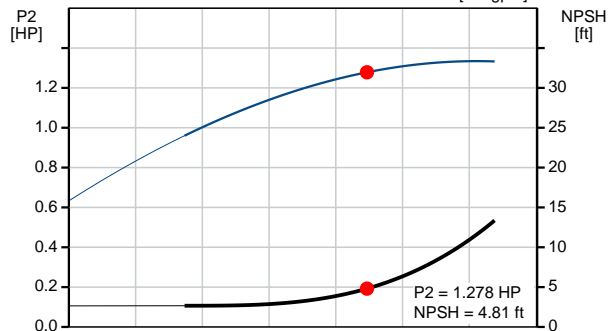
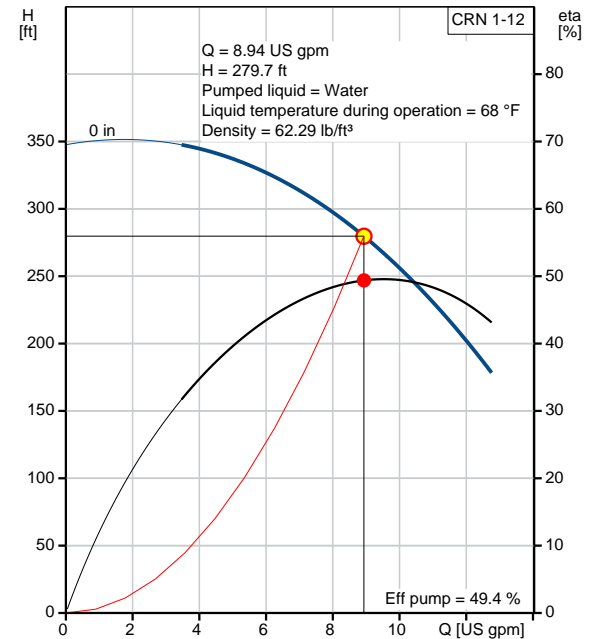
| | |
|-------------------------------------|-------------------------------------|
| Installation: | |
| Max pressure at stated temperature: | 363 psi / 250 °F 363 psi / -4 °F |
| Type of connection: | PJE |
| Connect code: | P |
| Size of inlet connection: | DN 32 |
| Size of suction port: | 1 1/4 inch |
| Size of outlet connection: | DN 32 |
| Size of outlet port: | 1 1/4 inch |
| Pressure rating: | PN 50 |
| Flange size for motor: | 56C |

| | |
|--------------------------------------|--------------|
| Liquid: | |
| Pumped liquid: | Water |
| Liquid temperature during operation: | 68 °F |
| Density: | 62.29 lb/ft³ |

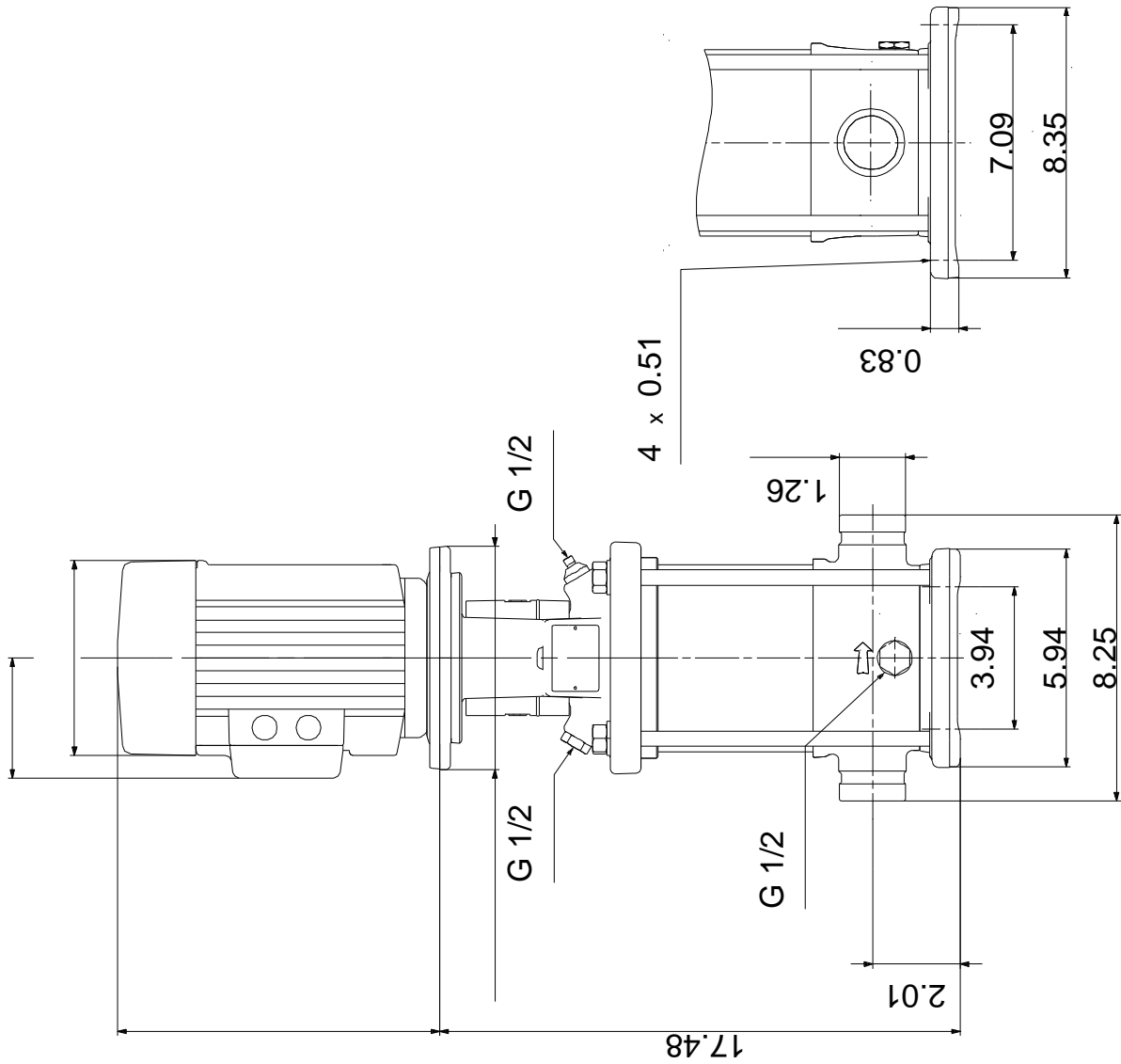
| | |
|------------------------------|--------|
| Electrical data: | |
| Motor standard: | NEMA |
| Power (P2) required by pump: | 1.5 HP |

| | |
|----------------------|------|
| Controls: | |
| Frequency converter: | NONE |

| | |
|------------------|----------|
| Others: | |
| Net weight: | 33.5 lb |
| Gross weight: | 48 lb |
| Shipping volume: | 4.94 ft³ |



96082671 CRN 1-12 60 Hz



Note! All units are in [mm] unless otherwise stated.
 Disclaimer: This simplified dimensional drawing does not show all details.



Company name:

Created by:

Phone:

Date:

2/20/2018

Order Data:

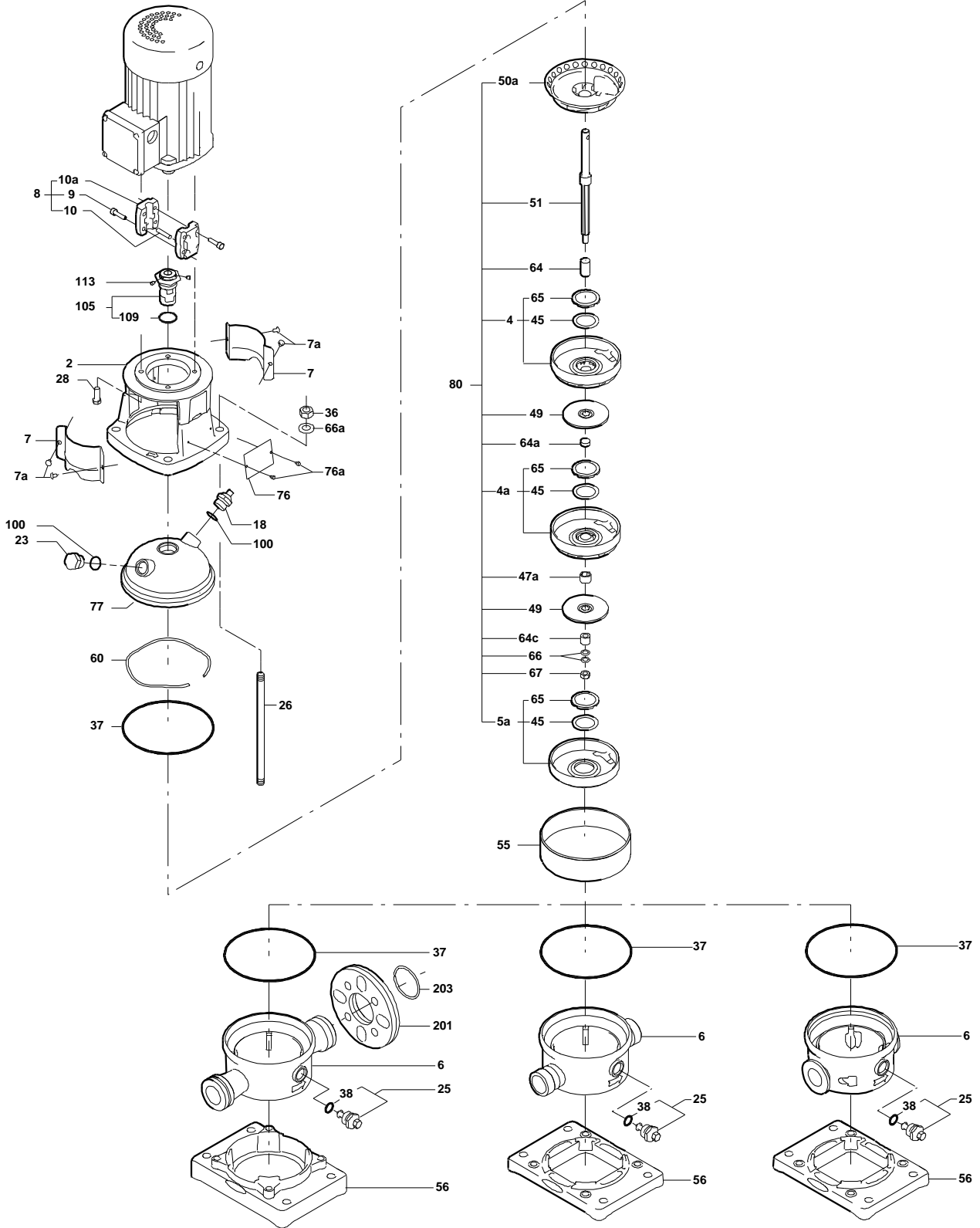
Product name: CRN 1-12 A-P-G-E-HQQE

Amount: 1

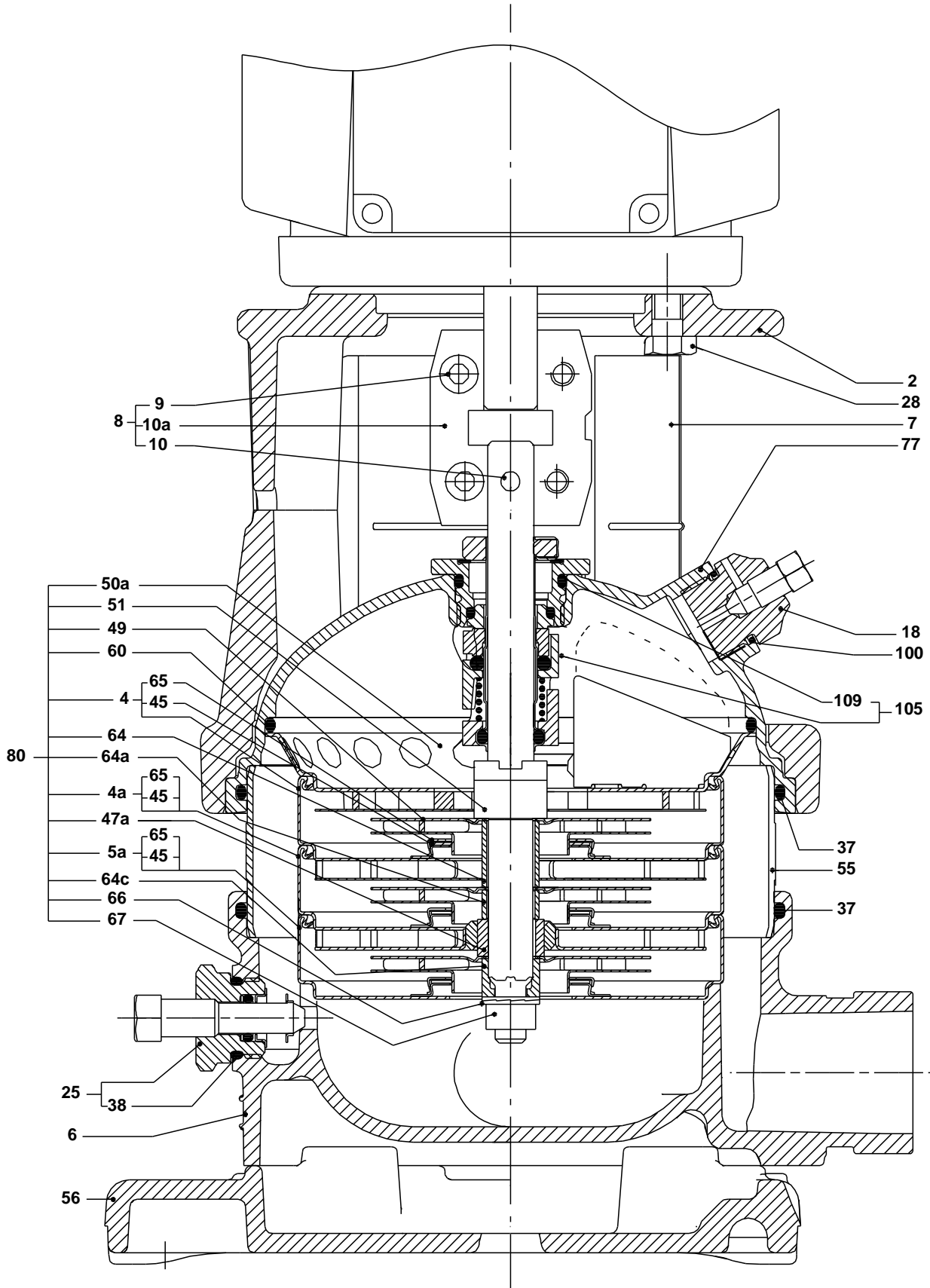
Product No.: 96082671

Total: Price on request

Exploded view (TM02 0212 4100)



Sectional drawing (TM02 0215 4100)



TM02

Parts list CRN 1-12, Prod number 96082671

Valid from 1.1.2004 (0401)

| Position | Description | Annotation | Classification data | Part No. | Count | Unit |
|----------|---------------------------|------------|---|----------|-------|------|
| - | Base cpl. | | | | 1 | pcs |
| 6 | Base | | | | 1 | |
| 25 | Plug | | | | 2 | |
| 56 | Base plate | | | | 1 | |
| - | Sealing parts | | | | 1 | pcs |
| - 25 | Drain plug w/bypass valve | | | | 1 | |
| 38 | O-ring | | Diameter: 16,3 Material type: EPDM Thickness: 2,4 | | | |
| 37 | O-ring | | | | 2 | |
| 100 | O-ring | | Diameter: 16,3 Material type: EPDM Thickness: 2,4 | | 2 | |
| - 2 | Pump head cpl. | | | | 1 | pcs |
| 2 | Motor stool | | | | 1 | |
| 7 | Coupling guard | | | | 2 | |
| 7a | Thread cutting screw | | | | 4 | |
| - 18 | Air vent screw | | | | 1 | |
| | Plug | | | | | |
| | Spindle | | | | | |
| - 25 | Drain plug | | | | 1 | |
| 23 | Pipe plug | | | | | |
| 25 | Drain plug | | | | | |
| 28 | Hex head cap screw | | Length: 25 Thread: UNC 3/8" | | 4 | |
| 60 | Formed wire spring | | | | 1 | |
| 77 | Pump cover | | | | 1 | |
| + 8 | Coupling cpl. | | | | 1 | pcs |
| 26 | Staybolt | | Length: 313 Thread: M12 | | 4 | pcs |
| 36 | Nut | | Thread: M12 | | 4 | pcs |
| 55 | Outer sleeve | | | | 1 | pcs |
| 66a | Washer | | Designation: DIN 125 A2 Inner diameter: 13 Outer diameter: 24 Thickness: 2,5 | | 4 | pcs |
| - 80 | Chamber stack | | | | 1 | pcs |
| - | Chamber cpl. | | | | 9 | |
| 4a | Intermediate chamber | | | | | |
| 45 | Neck ring | | | | | |
| 65 | Neck ring retainer | | | | | |
| | Impeller cpl. | | | | 12 | |
| - | Chamber w. bearing cpl. | | | | 2 | |
| 4a | Intermediate chamber | | | | | |
| 45 | Neck ring | | | | | |
| 65 | Neck ring retainer | | | | | |
| - 5a | Chamber cpl. | | | | 1 | |
| 4a | Intermediate chamber | | | | | |
| 45 | Neck ring | | | | | |
| 65 | Neck ring retainer | | | | | |
| 36 | Lock nut | | Thread: M8 | | 1 | |
| 47a | Bearing ring, rotating | | | | 2 | |
| - 50a | Guide vane | | | | 1 | |

| Position | Description | Annotation | Classification data | Part No. | Count | Unit |
|----------|-----------------------|------------|-----------------------|----------|-------|------|
| | Plate | | | | | |
| 50b | Top plate | | | | | |
| 51 | Shaft, spline, cpl. | | | | 1 | |
| 64a | Spacing pipe | | | | 9 | |
| 64a | Spacing pipe | | Inner diameter: 12,85 | | 2 | |
| | | | Outer diameter: 15,85 | | | |
| | | | Length: 4,50 | | | |
| 64c | Clamp, splined | | Inner diameter: 8,5 | | 1 | |
| | | | Outer diameter: 15 | | | |
| 66 | Wedge lock washer | | | | 1 | |
| - 105 | Shaft seal | | Material type: HQQE | | 1 | pcs |
| | O-ring | | | | 1 | |
| | O-ring | | | | 1 | |
| | Seal driver, upper | | | | 1 | |
| | Seal driver, lower | | | | 1 | |
| | Spacer ring | | | | 1 | |
| | Pipe | | | | 1 | |
| | Plug | | | | 1 | |
| | Plug | | | | 1 | |
| | Compression spring | | | | 1 | |
| | Socket set screw | | | | 1 | |
| 102 | O-ring | | Diameter: 22,00 | | 1 | |
| | | | Material type: EPDM | | | |
| | | | Thickness: 2,75 | | | |
| 103 | Seal ring, stationary | | | | 1 | |
| 105 | Seal ring, rotating | | | | 1 | |
| 107 | O-ring | | | | 1 | |
| 113 | Driver | | | | 1 | |