

PROJECT: _____	UNIT TAG: _____	QUANTITY: _____
REPRESENTATIVE: _____	TYPE OF SERVICE: _____	DATE: _____
ENGINEER: _____	SUBMITTED BY: _____	DATE: _____
CONTRACTOR: _____	APPROVED BY: _____	DATE: _____
	ORDER NO.: _____	DATE: _____

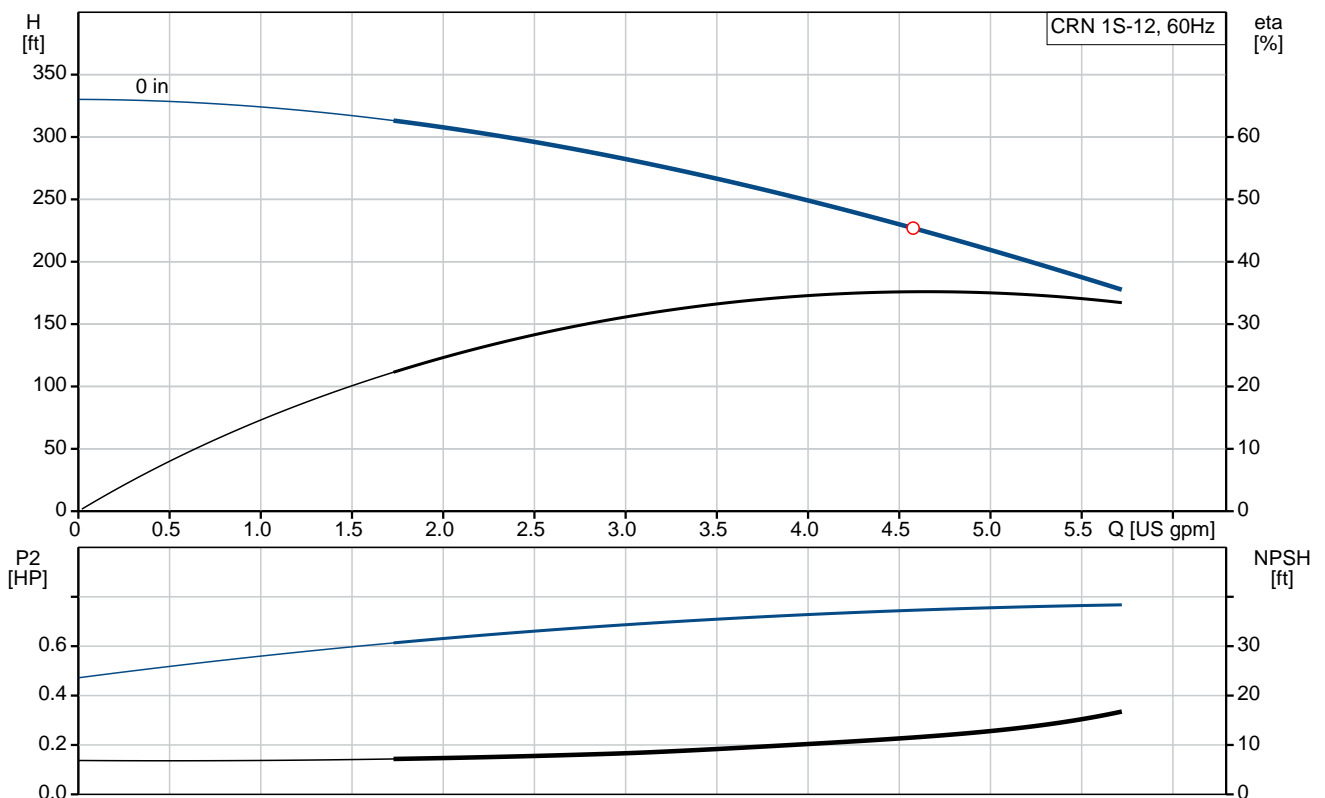


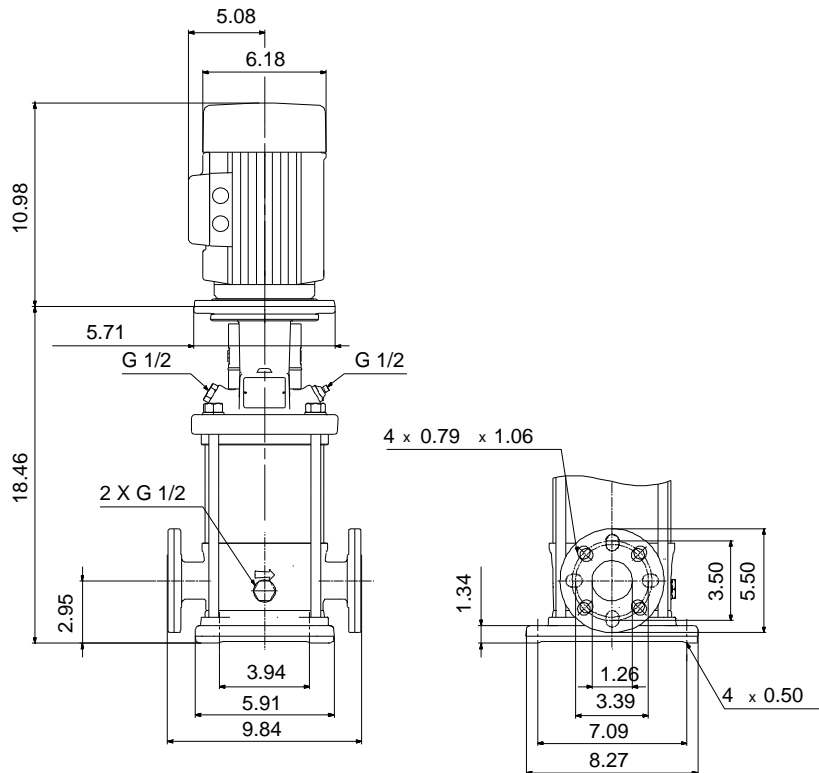
CRN 1S-12

Vertical, multistage centrifugal pump with suction and discharge ports on same the level. Pump materials in contact with the liquid are in high-grade stainless steel (EN 1.4401) (AISI 316)

Product photo could vary from the actual product

Conditions of Service	Pump Data	Motor Data
Flow: _____	Max pressure at stated temperature: 363 psi / 194 °F	Rated power - P2: 0.75 HP
Head: _____	Maximum ambient temperature: 104 °F	Rated voltage: 115/208-230 V
Efficiency: _____	Approvals: CURUS	Main frequency: 60 Hz
Liquid: Water	Shaft seal: HQQV	Enclosure class: 54 Dust/Splashing
Temperature: 68 °F	Product number: On request	Insulation class: B
NPSH required: ft		Motor protection: NONE
Viscosity: _____		Motor type: BALDOR
Specific Gravity: 1.000		





Materials:

Base: Stainless steel
 EN 1.4408
 AISI 316

Impeller: Stainless steel
 AISI 316
 EN 1.4401

Material code: G
 Code for rubber: V

Tender Text



Product No.: On request

CRN 1S-12 A-FGJ-G-V-HQQV

Vertical, non-self-priming, multistage, in-line, centrifugal pump for installation in pipe systems and mounting on a foundation.

The pump has the following characteristics:

- Impellers, intermediate chambers and outer sleeve are made of
 - Pump head cover and base are made of
 - The shaft seal has assembly length according to EN 12756.
 - Power transmission is via cast iron split coupling.
- flanges/couplings.

The motor is a 1-phase AC motor.

Controls:

Frequency converter: NONE

Liquid:

Pumped liquid: Water
Liquid temperature during operation: 68 °F
Density: 62.29 lb/ft³

Technical:

Speed for pump data: 3464 rpm
Pump orientation: Vertical
Shaft seal arrangement: Single
Code for shaft seal: HQQV
Approvals on nameplate: CURUS
Curve tolerance: ISO9906:2012 3B

Materials:

Base: Stainless steel
EN 1.4408
AISI 316
Impeller: Stainless steel
EN 1.4401
AISI 316
Bearing material: SIC

Installation:

Maximum ambient temperature: 104 °F
Max pressure at stated temperature: 363 psi / 194 °F
363 psi / -4 °F
Type of connection: DIN / ANSI / JIS



Company name:

Created by:

Phone:

Date:

2/22/2018


Size of inlet connection: DN 25/32
Size of suction port: 1 1/4 inch
Size of outlet connection: DN 25/32
Size of outlet port: 1 1/4 inch
Pressure rating: PN 25
Flange size for motor: 56C
Flange rating inlet: 300 lb

Electrical data:

Motor standard: NEMA
Motor type: BALDOR
IE Efficiency class: NA
Rated power - P2: 0.75 HP
Power (P2) required by pump: 0.75 HP
Main frequency: 60 Hz
Rated voltage: 1 x 115/208-230 V
Service factor: 1.25
Rated current: 9,60/5,00-4,80 A
Rated speed: 3450 rpm
Number of poles: 2
Enclosure class (IEC 34-5): 54 Dust/Splashing
Insulation class (IEC 85): B

Others:

Net weight: 67.9 lb
Gross weight: 82.4 lb
Shipping volume: 8.26 ft³

Position	Count	Description
	1	<p>CRN 1S-12 A-FGJ-G-V-HQQV</p>  <p>Product No.: On request Vertical, non-self-priming, multistage, in-line, centrifugal pump for installation in pipe systems and mounting on a foundation.</p> <p>The pump has the following characteristics:</p> <ul style="list-style-type: none"> - Impellers, intermediate chambers and outer sleeve are made of - Pump head cover and base are made of - The shaft seal has assembly length according to EN 12756. - Power transmission is via cast iron split coupling flanges/couplings. <p>The motor is a 1-phase AC motor.</p> <p>Controls: Frequency converter: NONE</p> <p>Liquid: Pumped liquid: Water Liquid temperature during operation: 68 °F Density: 62.29 lb/ft³</p> <p>Technical: Speed for pump data: 3464 rpm Pump orientation: Vertical Shaft seal arrangement: Single Code for shaft seal: HQQV Approvals on nameplate: CURUS Curve tolerance: ISO9906:2012 3B</p> <p>Materials: Base: Stainless steel EN 1.4408 AISI 316 Impeller: Stainless steel EN 1.4401 AISI 316 Bearing material: SIC</p> <p>Installation: Maximum ambient temperature: 104 °F Max pressure at stated temperature: 363 psi / 194 °F 363 psi / -4 °F Type of connection: DIN / ANSI / JIS Size of inlet connection: DN 25/32</p>



Company name:

Created by:

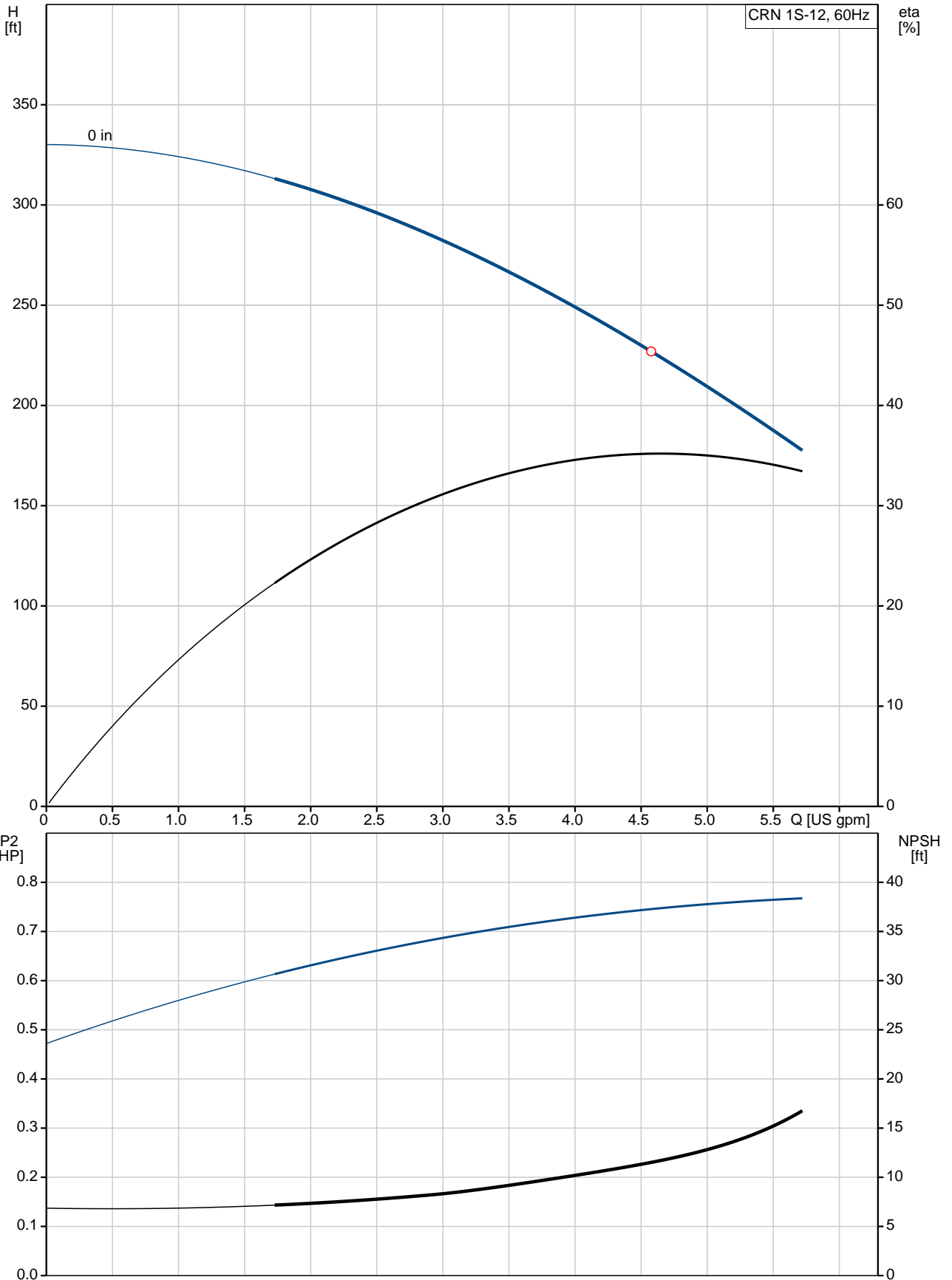
Phone:

Date:

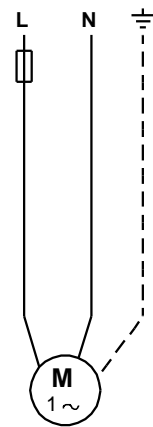
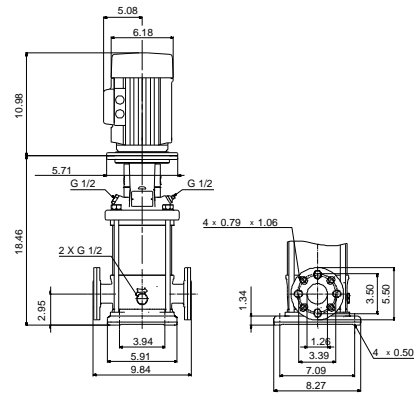
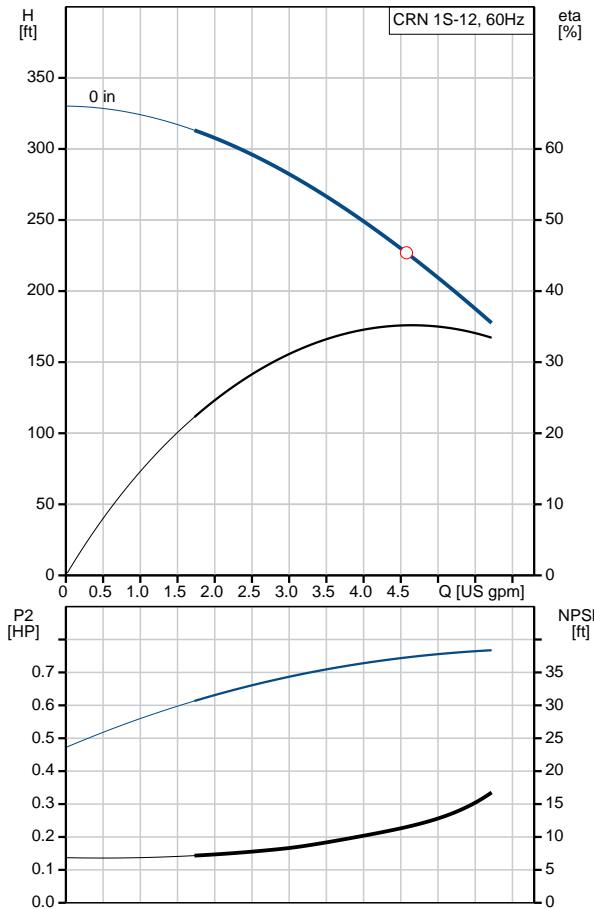
2/22/2018

Position	Count	Description
		Size of suction port: 1 1/4 inch Size of outlet connection: DN 25/32 Size of outlet port: 1 1/4 inch Pressure rating: PN 25 Flange size for motor: 56C Flange rating inlet: 300 lb
		Electrical data: Motor standard: NEMA Motor type: BALDOR IE Efficiency class: NA Rated power - P2: 0.75 HP Power (P2) required by pump: 0.75 HP Main frequency: 60 Hz Rated voltage: 1 x 115/208-230 V Service factor: 1.25 Rated current: 9,60/5,00-4,80 A Rated speed: 3450 rpm Number of poles: 2 Enclosure class (IEC 34-5): 54 Dust/Splashing Insulation class (IEC 85): B
		Others: Net weight: 67.9 lb Gross weight: 82.4 lb Shipping volume: 8.26 ft ³

On request CRN 1S-12 60 Hz



Description	Value
General information:	
Product name:	CRN 1S-12 A-FGJ-G-V-HQQV
Product No.:	On request
EAN:	On request
Technical:	
Speed for pump data:	3464 rpm
Stages:	12
Impellers:	12
Low NPSH:	N
Pump orientation:	Vertical
Shaft seal arrangement:	Single
Code for shaft seal:	HQQV
Approvals on nameplate:	CURUS
Curve tolerance:	ISO9906:2012 3B
Pump version:	A
Model:	A
Cooling:	TEFC
Materials:	
Base:	Stainless steel EN 1.4408 AISI 316
Impeller:	Stainless steel EN 1.4401 AISI 316
Material code:	G
Code for rubber:	V
Bearing material:	SIC
Installation:	
Maximum ambient temperature:	104 °F
Max pressure at stated temperature:	363 psi / 194 °F 363 psi / -4 °F
Type of connection:	DIN / ANSI / JIS
Connect code:	FGJ
Size of inlet connection:	DN 25/32
Size of suction port:	1 1/4 inch
Size of outlet connection:	DN 25/32
Size of outlet port:	1 1/4 inch
Pressure rating:	PN 25
Flange size for motor:	56C
Flange rating inlet:	300 lb
Liquid:	
Pumped liquid:	Water
Liquid temperature during operation:	68 °F
Density:	62.29 lb/ft³
Electrical data:	
Motor standard:	NEMA
Motor type:	BALDOR
IE Efficiency class:	NA
Rated power - P2:	0.75 HP
Power (P2) required by pump:	0.75 HP
Main frequency:	60 Hz
Rated voltage:	1 x 115/208-230 V
Service factor:	1.25





Company name:

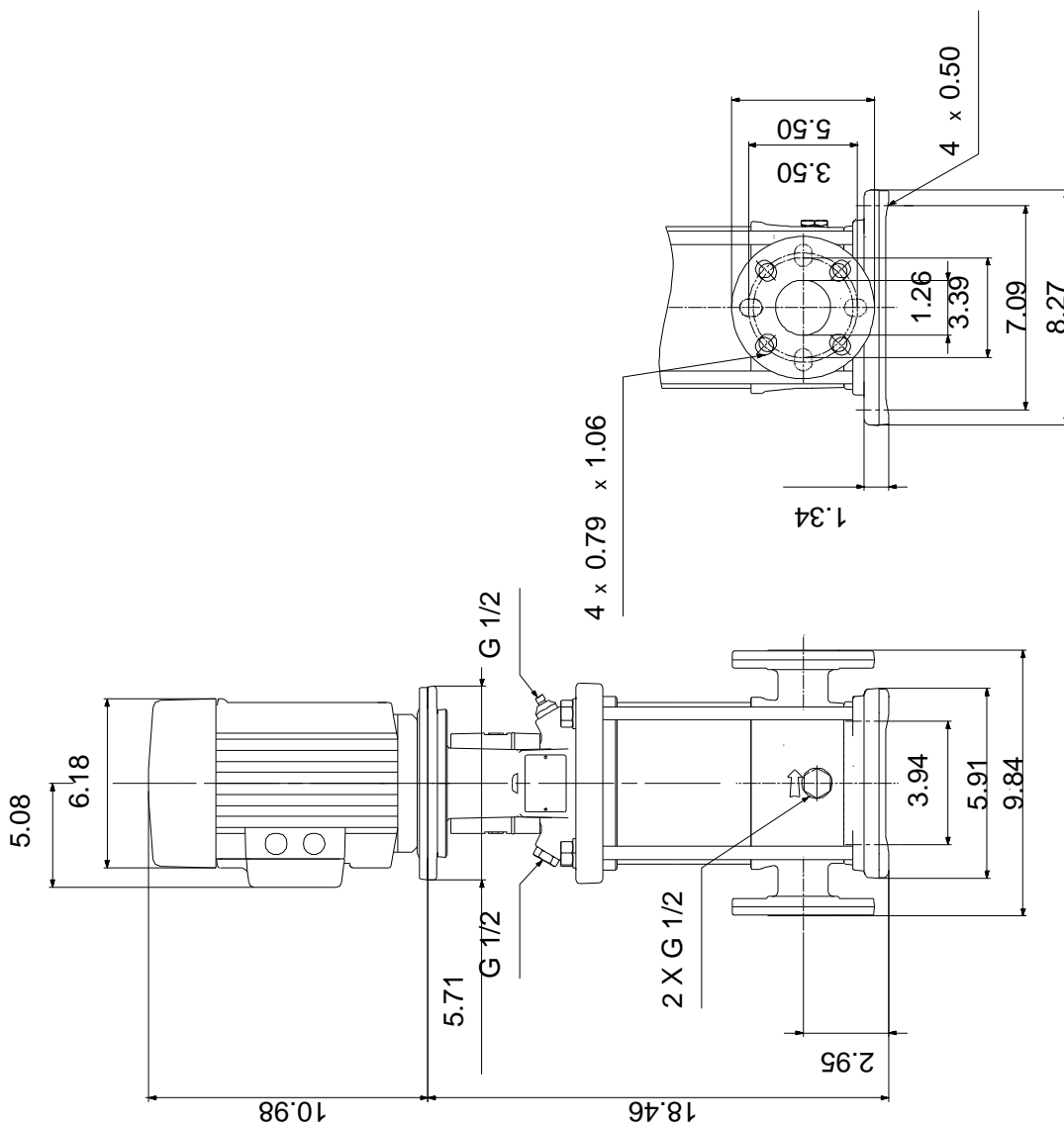
Created by:

Phone:

Date: 2/22/2018

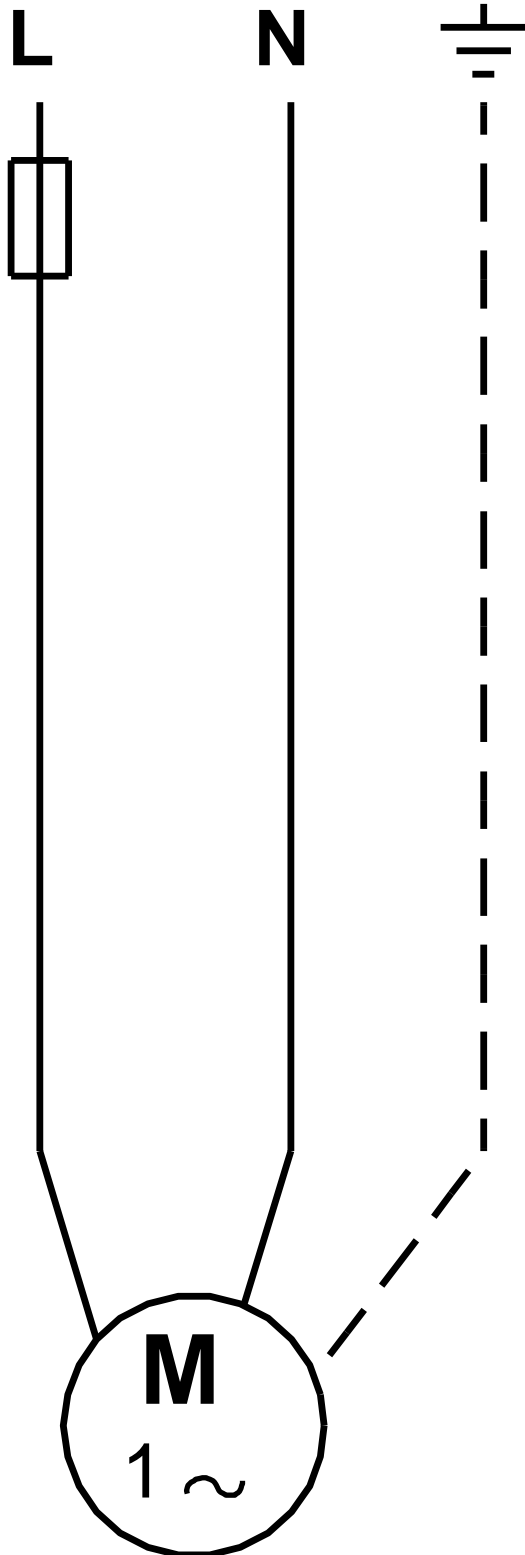
Description	Value
Rated current:	9,60/5,00-4,80 A
Load current:	11.4/6.0-5.7 A
Rated speed:	3450 rpm
Number of poles:	2
Enclosure class (IEC 34-5):	54 Dust/Splashing
Insulation class (IEC 85):	B
Motor protection:	NONE
Motor Number:	84Z04001
Controls:	
Frequency converter:	NONE
Others:	
Net weight:	67.9 lb
Gross weight:	82.4 lb
Shipping volume:	8.26 ft ³

On request CRN 1S-12 60 Hz



Note! All units are in [mm] unless otherwise stated.
Disclaimer: This simplified dimensional drawing does not show all details.

On request CRN 1S-12 60 Hz



All units are [mm] unless otherwise presented.



Company name:

Created by:

Phone:

Date: 2/22/2018

Order Data:

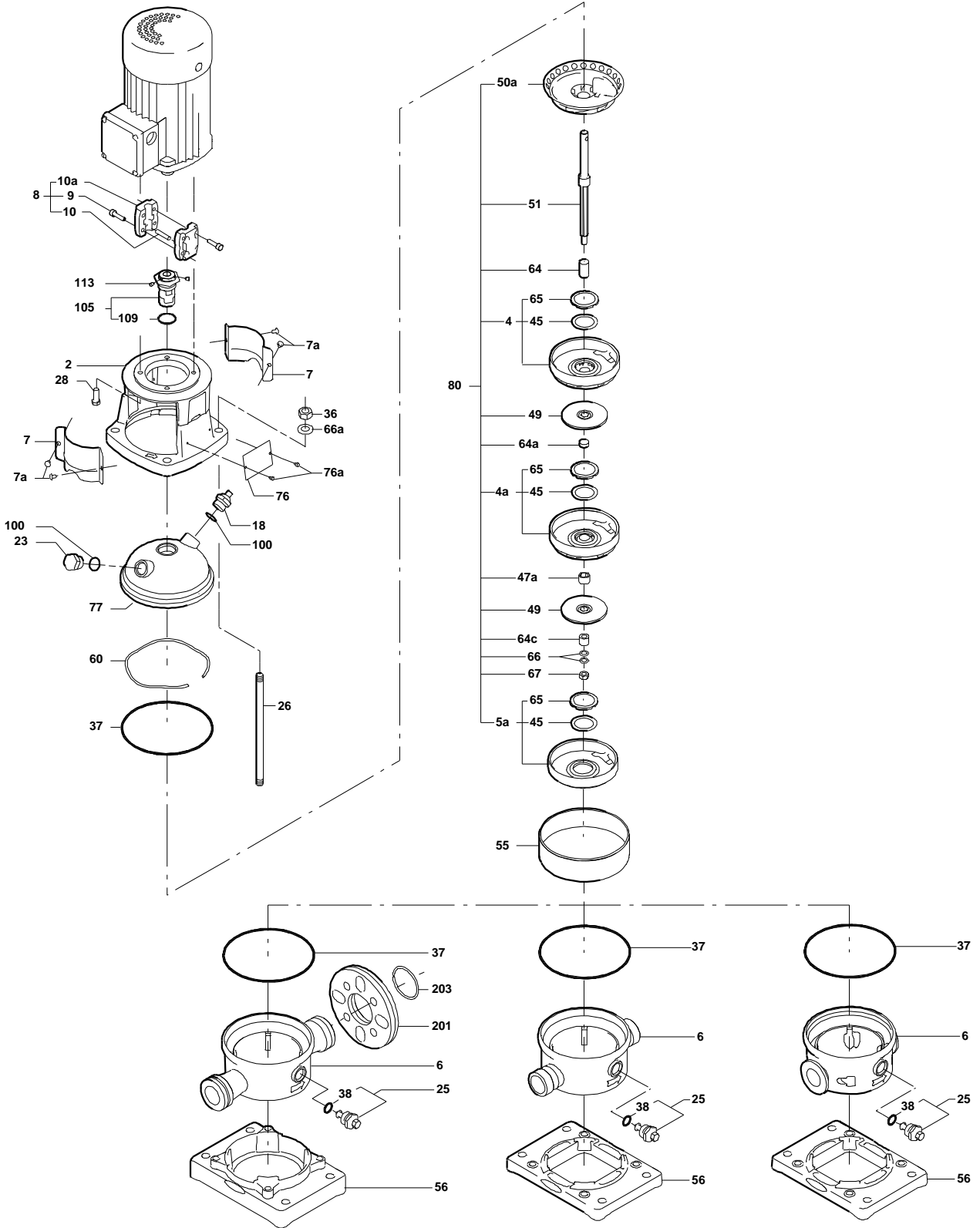
Product name: CRN 1S-12 A-FGJ-G-V-HQQV

Amount: 1

Product No.: On request

Total: Price on request

Exploded view (TM02 0212 4100)



Sectional drawing (TM02 0215 4100)

