

|                       |                        |                 |
|-----------------------|------------------------|-----------------|
| PROJECT: _____        | UNIT TAG: _____        | QUANTITY: _____ |
| REPRESENTATIVE: _____ | TYPE OF SERVICE: _____ | DATE: _____     |
| ENGINEER: _____       | SUBMITTED BY: _____    | DATE: _____     |
| CONTRACTOR: _____     | APPROVED BY: _____     | DATE: _____     |
|                       | ORDER NO.: _____       | DATE: _____     |

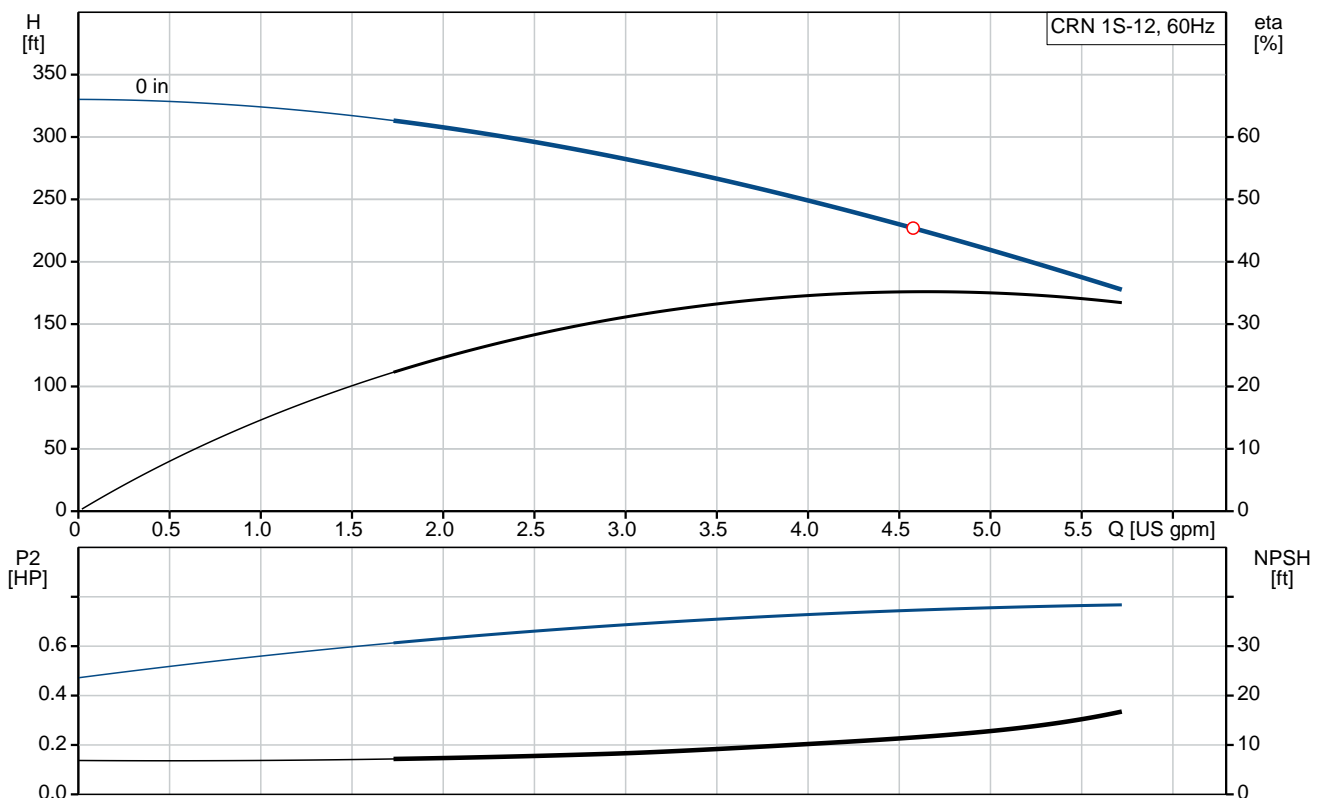


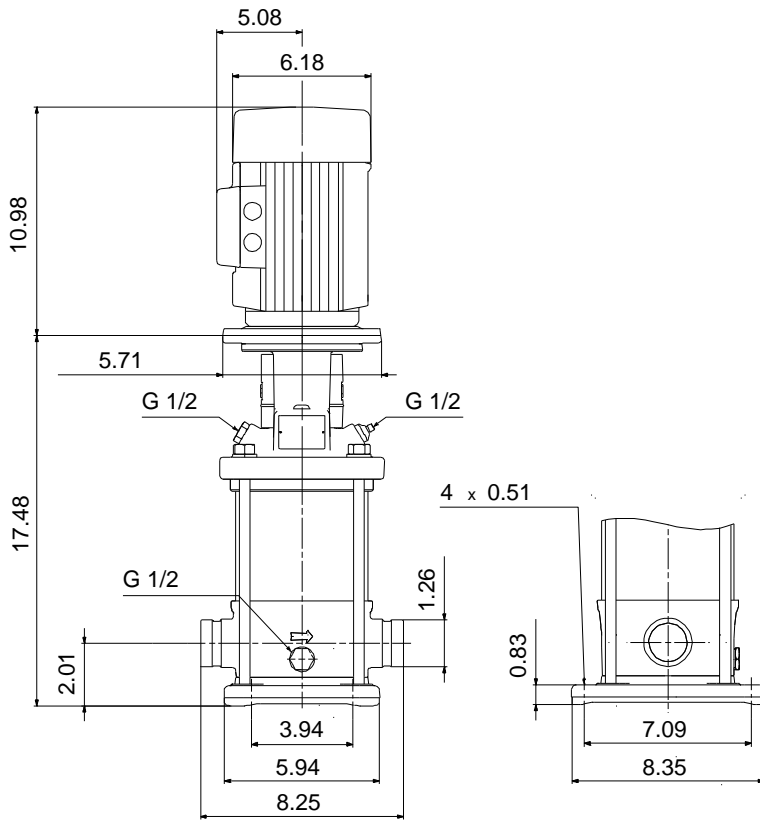
### CRN 1S-12

Vertical, multistage centrifugal pump with suction and discharge ports on same the level. Pump materials in contact with the liquid are in high-grade stainless steel (EN 1.4401) (AISI 316)

Product photo could vary from the actual product

| Conditions of Service   | Pump Data  | Motor Data                         |
|-------------------------|--|------------------------------------|
| Flow: _____             | Max pressure at stated temperature: 363 psi / 194 °F | Rated power - P2: 0.75 HP          |
| Head: _____             | Maximum ambient temperature: 104 °F                  | Rated voltage: 115/208-230 V       |
| Efficiency: _____       | Approvals: CURUS                                     | Main frequency: 60 Hz              |
| Liquid: Water           | Shaft seal: HQQV                                     | Enclosure class: 54 Dust/Splashing |
| Temperature: 68 °F      | Product number: On request                           | Insulation class: B                |
| NPSH required: ft       |  | Motor protection: NONE             |
| Viscosity: _____        |  | Motor type: BALDOR                 |
| Specific Gravity: 1.000 |  |                                    |





**Materials:**

|                  |  |
|------------------|--|
| Base:            | Stainless steel<br>EN 1.4408<br>AISI 316 |
| Impeller:        | Stainless steel<br>AISI 316<br>EN 1.4401 |
| Material code:   | G  |
| Code for rubber: | V  |

## Tender Text



Product No.: On request

### **CRN 1S-12 A-P-G-V-HQQV**

Vertical, non-self-priming, multistage, in-line, centrifugal pump for installation in pipe systems and mounting on a foundation.

The pump has the following characteristics:

- Impellers, intermediate chambers and outer sleeve are made of
  - Pump head cover and base are made of
  - The shaft seal has assembly length according to EN 12756.
  - Power transmission is via cast iron split coupling.
- flanges/couplings.

The motor is a 1-phase AC motor.

### **Controls:**

Frequency converter: NONE

### **Liquid:**

Pumped liquid: Water  
Liquid temperature during operation: 68 °F  
Density: 62.29 lb/ft<sup>3</sup>

### **Technical:**

Speed for pump data: 3464 rpm  
Pump orientation: Vertical  
Shaft seal arrangement: Single  
Code for shaft seal: HQQV  
Approvals on nameplate: CURUS  
Curve tolerance: ISO9906:2012 3B

### **Materials:**

Base: Stainless steel  
EN 1.4408  
AISI 316  
Impeller: Stainless steel  
EN 1.4401  
AISI 316  
Bearing material: SIC

### **Installation:**

Maximum ambient temperature: 104 °F  
Max pressure at stated temperature: 363 psi / 194 °F  
363 psi / -4 °F  
Type of connection: PJE



Company name:

Created by:

Phone:

Date:

2/22/2018


Size of inlet connection: DN 32  
Size of suction port: 1 1/4 inch  
Size of outlet connection: DN 32  
Size of outlet port: 1 1/4 inch  
Pressure rating: PN 50  
Flange size for motor: 56C

**Electrical data:**

Motor standard: NEMA  
Motor type: BALDOR  
IE Efficiency class: NA  
Rated power - P2: 0.75 HP  
Power (P2) required by pump: 0.75 HP  
Main frequency: 60 Hz  
Rated voltage: 1 x 115/208-230 V  
Service factor: 1.25  
Rated current: 9,60/5,00-4,80 A  
Rated speed: 3450 rpm  
Number of poles: 2  
Enclosure class (IEC 34-5): 54 Dust/Splashing  
Insulation class (IEC 85): B

**Others:**

Net weight: 58.7 lb  
Gross weight: 73.2 lb  
Shipping volume: 6.11 ft<sup>3</sup>

| Position | Count | Description  |
|----------|-------|--|
|          | 1     | <p><b>CRN 1S-12 A-P-G-V-HQQV</b></p>  <p>Product No.: On request<br/>Vertical, non-self-priming, multistage, in-line, centrifugal pump for installation in pipe systems and mounting on a foundation.</p> <p>The pump has the following characteristics:</p> <ul style="list-style-type: none"> <li>- Impellers, intermediate chambers and outer sleeve are made of</li> <li>- Pump head cover and base are made of</li> <li>- The shaft seal has assembly length according to EN 12756.</li> <li>- Power transmission is via cast iron split coupling flanges/couplings.</li> </ul> <p>The motor is a 1-phase AC motor.</p> <p><b>Controls:</b><br/>Frequency converter: NONE</p> <p><b>Liquid:</b><br/>Pumped liquid: Water<br/>Liquid temperature during operation: 68 °F<br/>Density: 62.29 lb/ft<sup>3</sup></p> <p><b>Technical:</b><br/>Speed for pump data: 3464 rpm<br/>Pump orientation: Vertical<br/>Shaft seal arrangement: Single<br/>Code for shaft seal: HQQV<br/>Approvals on nameplate: CURUS<br/>Curve tolerance: ISO9906:2012 3B</p> <p><b>Materials:</b><br/>Base: Stainless steel<br/>EN 1.4408<br/>AISI 316<br/>Impeller: Stainless steel<br/>EN 1.4401<br/>AISI 316<br/>Bearing material: SIC</p> <p><b>Installation:</b><br/>Maximum ambient temperature: 104 °F<br/>Max pressure at stated temperature: 363 psi / 194 °F<br/>363 psi / -4 °F<br/>Type of connection: PJE<br/>Size of inlet connection: DN 32</p> |



Company name:

Created by:

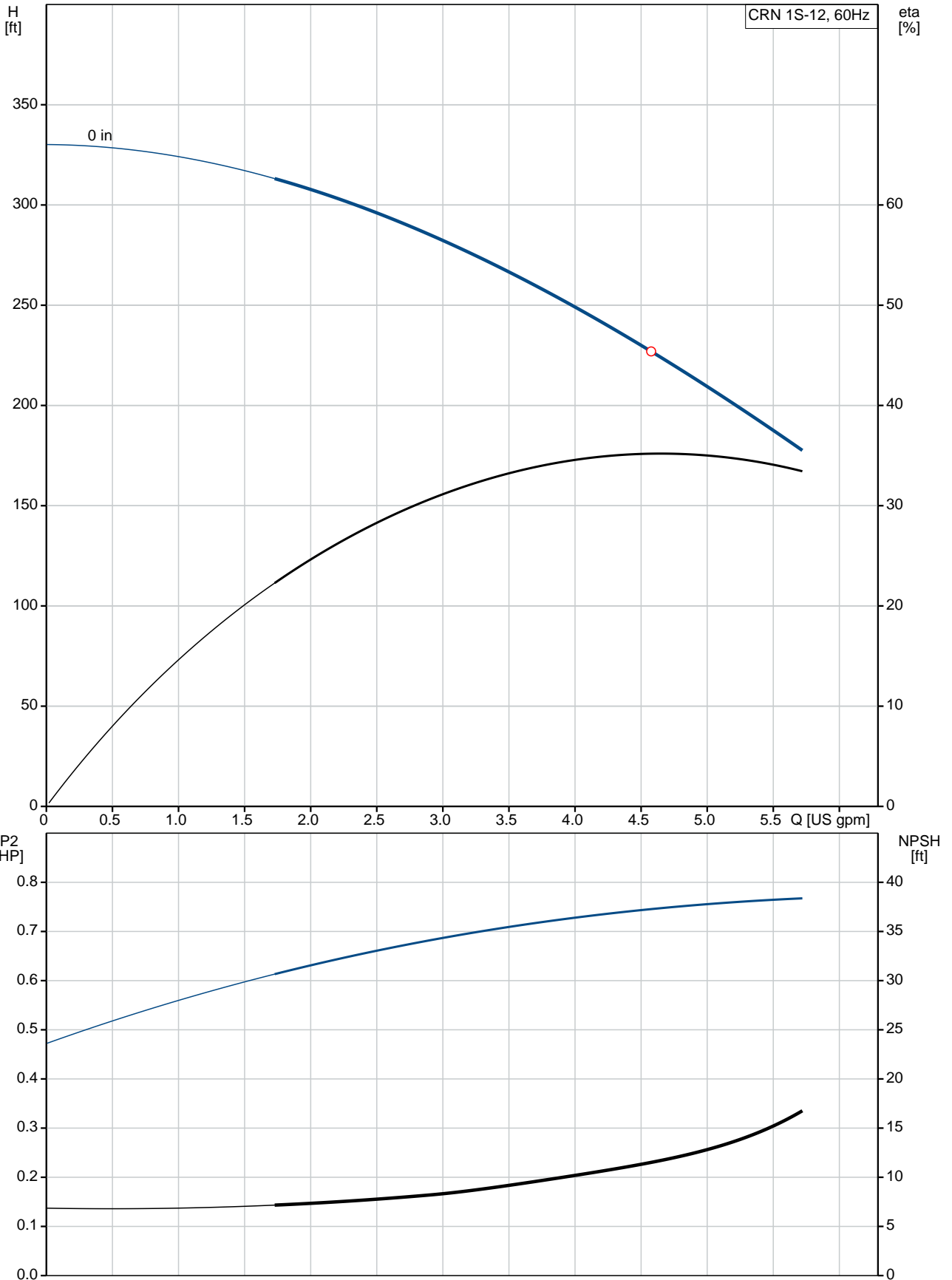
Phone:

Date:

2/22/2018

| Position | Count | Description   |
|----------|-------|---|
|          |       | Size of suction port: 1 1/4 inch<br>Size of outlet connection: DN 32<br>Size of outlet port: 1 1/4 inch<br>Pressure rating: PN 50<br>Flange size for motor: 56C   |
|          |       | <b>Electrical data:</b><br>Motor standard: NEMA<br>Motor type: BALDOR<br>IE Efficiency class: NA<br>Rated power - P2: 0.75 HP<br>Power (P2) required by pump: 0.75 HP<br>Main frequency: 60 Hz<br>Rated voltage: 1 x 115/208-230 V<br>Service factor: 1.25<br>Rated current: 9,60/5,00-4,80 A<br>Rated speed: 3450 rpm<br>Number of poles: 2<br>Enclosure class (IEC 34-5): 54 Dust/Splashing<br>Insulation class (IEC 85): B |
|          |       | <b>Others:</b><br>Net weight: 58.7 lb<br>Gross weight: 73.2 lb<br>Shipping volume: 6.11 ft <sup>3</sup>   |

## On request CRN 1S-12 60 Hz



| Description | Value |
|-------------|-------|
|-------------|-------|

**General information:**

|               |                        |
|---------------|------------------------|
| Product name: | CRN 1S-12 A-P-G-V-HQQV |
| Product No.:  | On request             |
| EAN:          | On request             |

**Technical:**

|                         |                 |
|-------------------------|-----------------|
| Speed for pump data:    | 3464 rpm        |
| Stages:                 | 12              |
| Impellers:              | 12              |
| Low NPSH:               | N               |
| Pump orientation:       | Vertical        |
| Shaft seal arrangement: | Single          |
| Code for shaft seal:    | HQQV            |
| Approvals on nameplate: | CURUS           |
| Curve tolerance:        | ISO9906:2012 3B |
| Pump version:           | A               |
| Model:                  | A               |
| Cooling:                | TEFC            |

**Materials:**

|                   |  |
|-------------------|--|
| Base:             | Stainless steel<br>EN 1.4408<br>AISI 316 |
| Impeller:         | Stainless steel<br>EN 1.4401<br>AISI 316 |
| Material code:    | G  |
| Code for rubber:  | V  |
| Bearing material: | SIC                                      |

**Installation:**

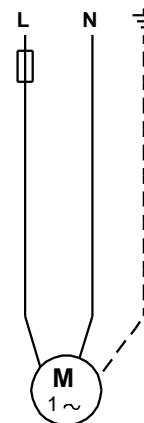
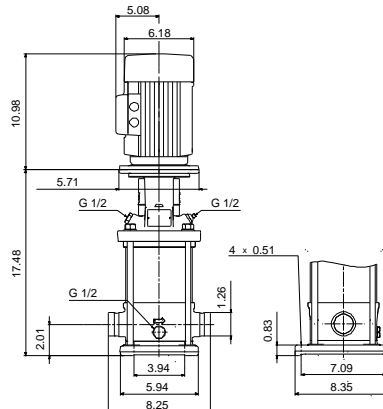
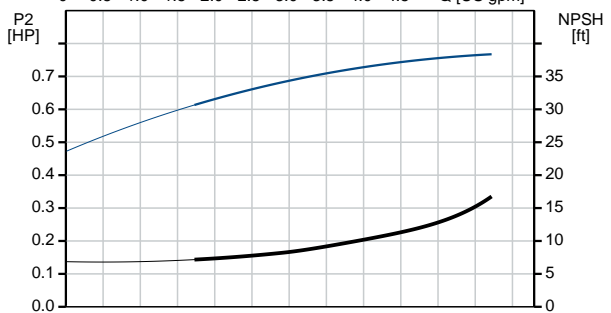
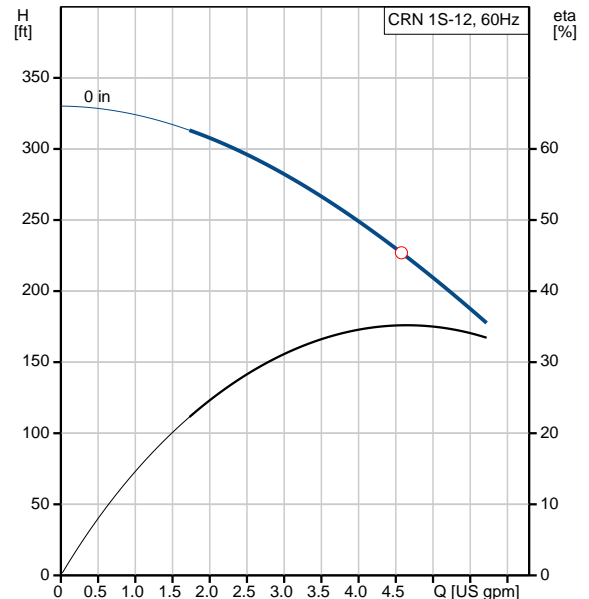
|                                     |                  |
|-------------------------------------|------------------|
| Maximum ambient temperature:        | 104 °F           |
| Max pressure at stated temperature: | 363 psi / 194 °F |
|                                     | 363 psi / -4 °F  |
| Type of connection:                 | PJE              |
| Connect code:                       | P                |
| Size of inlet connection:           | DN 32            |
| Size of suction port:               | 1 1/4 inch       |
| Size of outlet connection:          | DN 32            |
| Size of outlet port:                | 1 1/4 inch       |
| Pressure rating:                    | PN 50            |
| Flange size for motor:              | 56C              |

**Liquid:**

|                                      |                          |
|--------------------------------------|--------------------------|
| Pumped liquid:                       | Water                    |
| Liquid temperature during operation: | 68 °F                    |
| Density:                             | 62.29 lb/ft <sup>3</sup> |

**Electrical data:**

|                              |                   |
|------------------------------|-------------------|
| Motor standard:              | NEMA              |
| Motor type:                  | BALDOR            |
| IE Efficiency class:         | NA                |
| Rated power - P2:            | 0.75 HP           |
| Power (P2) required by pump: | 0.75 HP           |
| Main frequency:              | 60 Hz             |
| Rated voltage:               | 1 x 115/208-230 V |
| Service factor:              | 1.25              |
| Rated current:               | 9,60/5,00-4,80 A  |
| Load current:                | 11.4/6.0-5.7 A    |







Company name:

Created by:

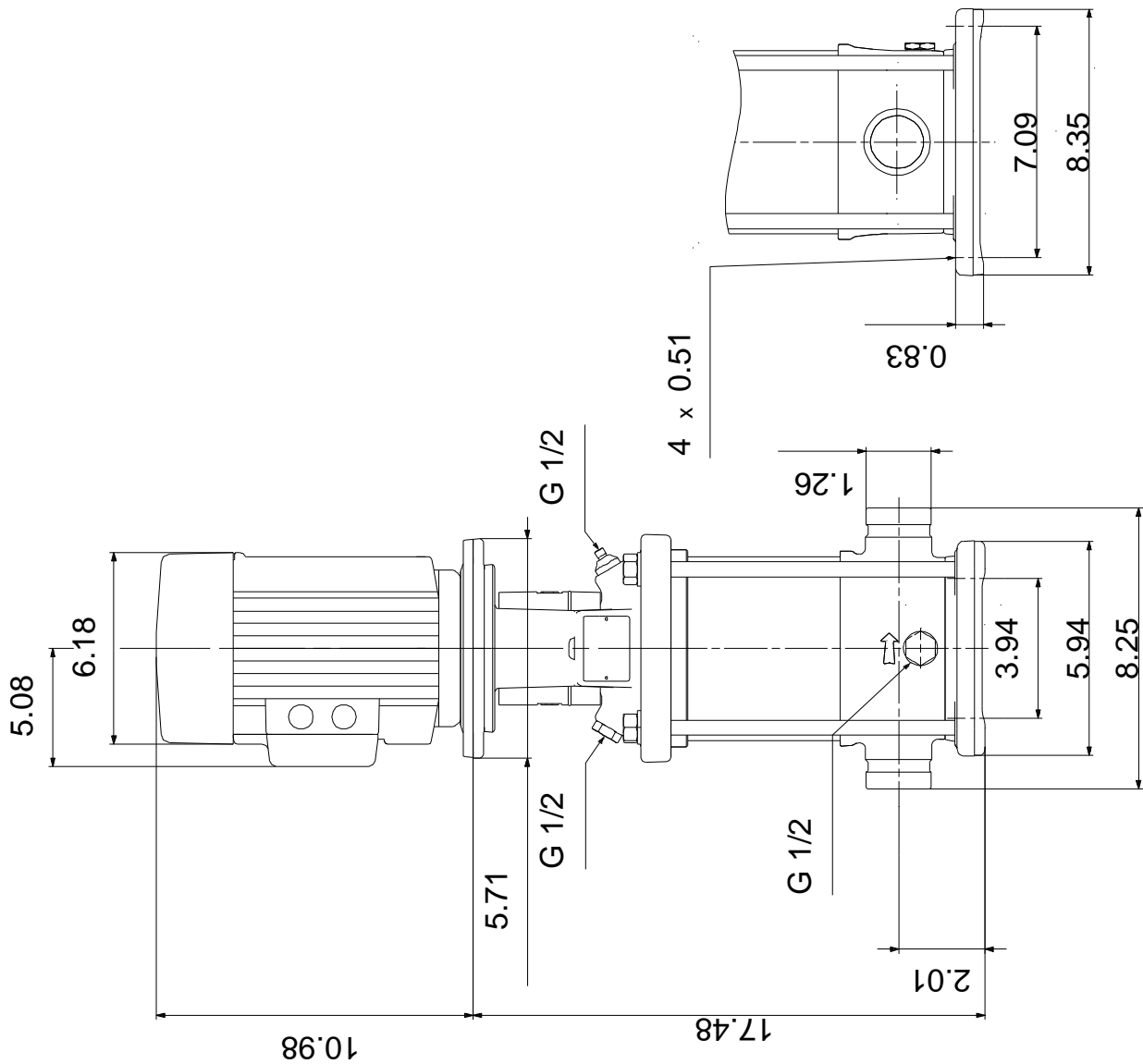
Phone:

Date:

2/22/2018

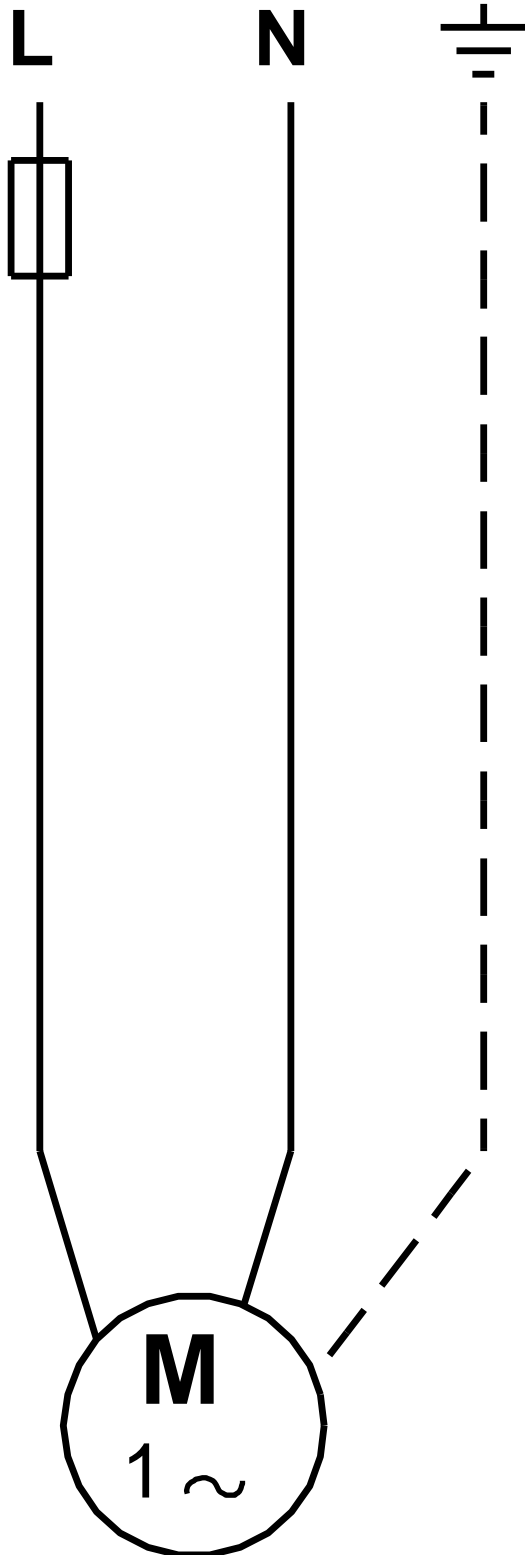
| Description                 | Value                |
|-----------------------------|----------------------|
| Rated speed:                | 3450 rpm             |
| Number of poles:            | 2                    |
| Enclosure class (IEC 34-5): | 54 Dust/Splashing    |
| Insulation class (IEC 85):  | B                    |
| Motor protection:           | NONE                 |
| Motor Number:               | 84Z04001             |
| <b>Controls:</b>            |                      |
| Frequency converter:        | NONE                 |
| <b>Others:</b>              |                      |
| Net weight:                 | 58.7 lb              |
| Gross weight:               | 73.2 lb              |
| Shipping volume:            | 6.11 ft <sup>3</sup> |

**On request CRN 1S-12 60 Hz**



Note! All units are in [mm] unless otherwise stated.  
Disclaimer: This simplified dimensional drawing does not show all details.

On request CRN 1S-12 60 Hz



All units are [mm] unless otherwise presented.



Company name:

Created by:

Phone:

Date: 2/22/2018

---

**Order Data:**

Product name: CRN 1S-12 A-P-G-V-HQQV

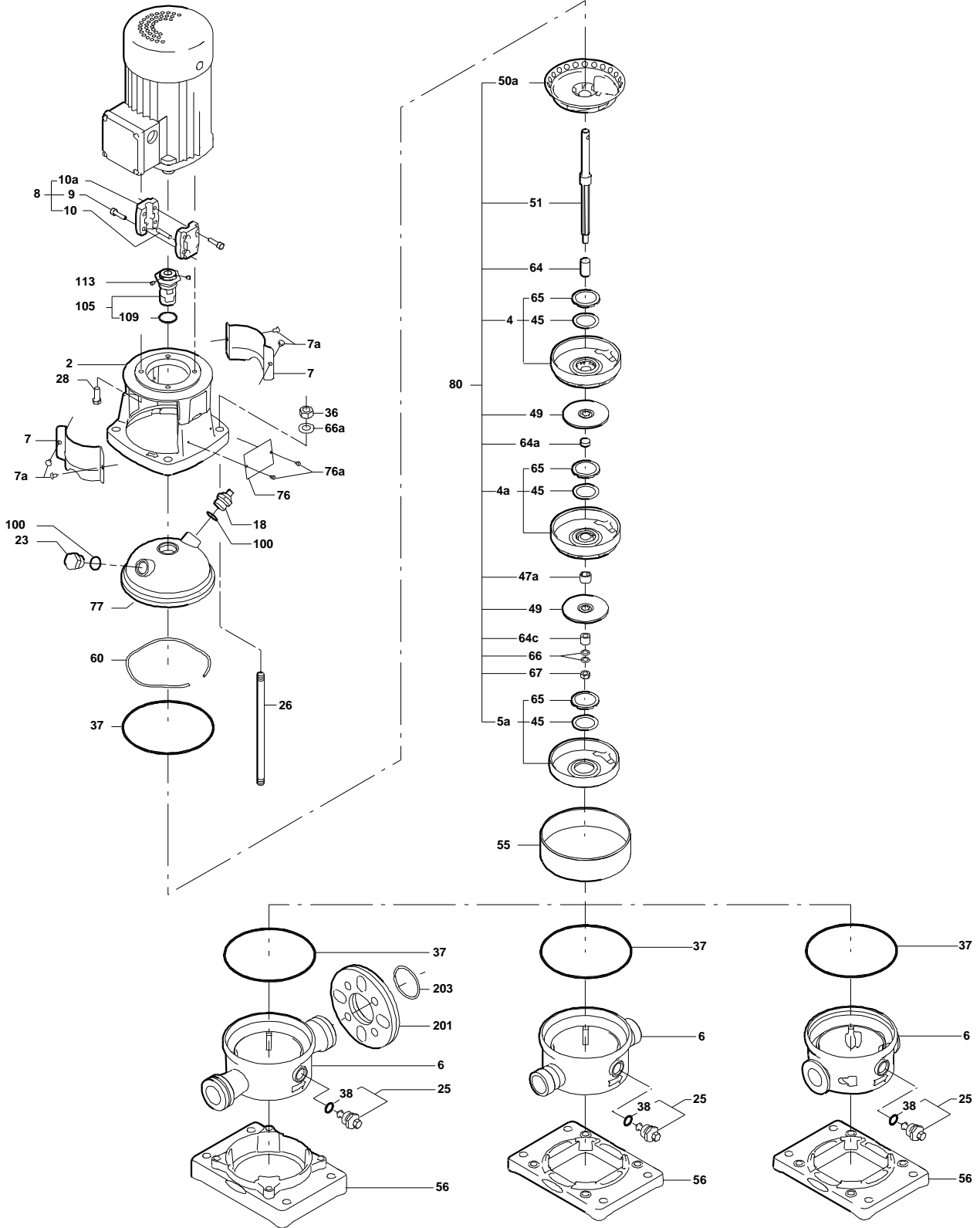
Amount: 1

Product No.: On request

Total: Price on request

---

Exploded view (TM02 0212 4100)



## Sectional drawing (TM02 0215 4100)

