

PROJECT: _____	UNIT TAG: _____	QUANTITY: _____
REPRESENTATIVE: _____	TYPE OF SERVICE: _____	DATE: _____
ENGINEER: _____	SUBMITTED BY: _____	DATE: _____
CONTRACTOR: _____	APPROVED BY: _____	DATE: _____
	ORDER NO.: _____	DATE: _____

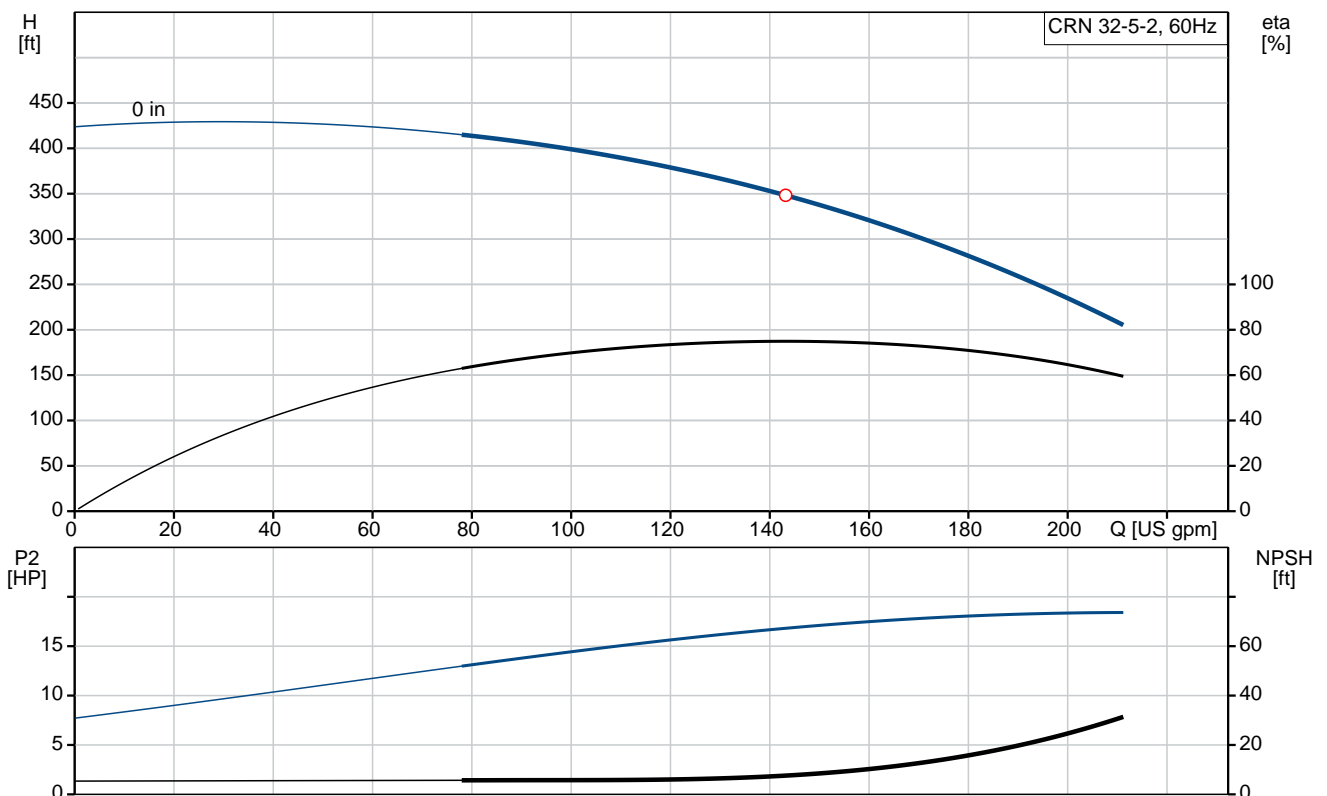


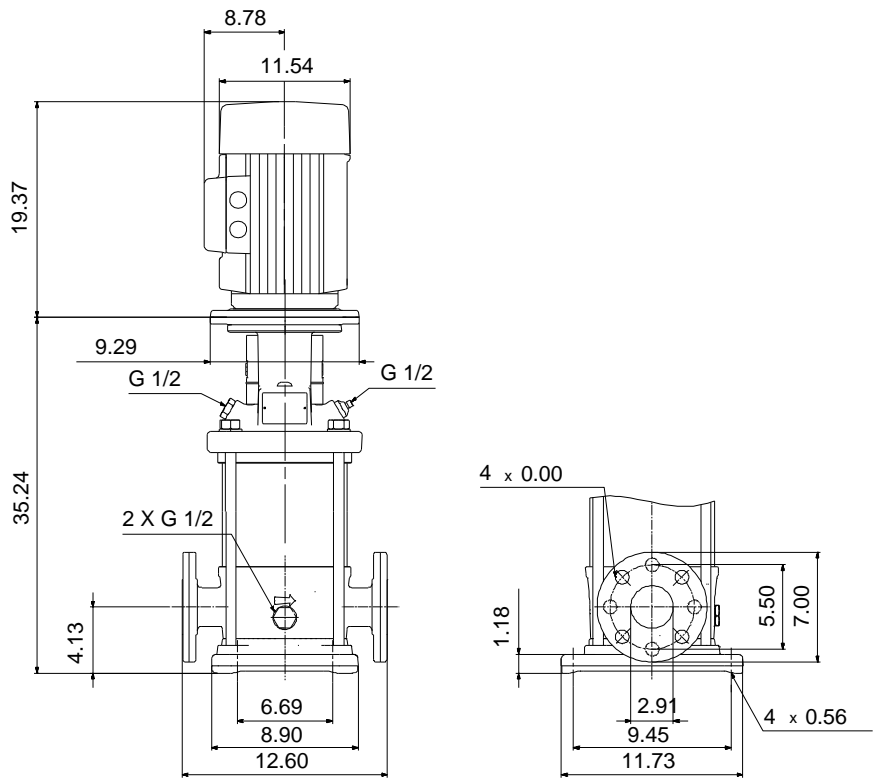
Product photo could vary from the actual product

CRN 32-5-2

Vertical, multistage centrifugal pump with suction and discharge ports on same the level. Pump materials in contact with the liquid are in high-grade stainless steel (EN 1.4401) (AISI 316)

Conditions of Service	Pump Data	Motor Data
Flow: _____	Max pressure at stated temperature: 232 psi / 194 °F	Rated power - P2: 20 HP
Head: _____	Maximum ambient temperature: 104 °F	Rated voltage: 230/460 V
Efficiency: _____	Approvals: CURUS	Main frequency: 60 Hz
Liquid: Water	Shaft seal: HQQV	Insulation class: F
Temperature: 68 °F	Product number: 96419709	Motor protection: NONE
NPSH required: ft		Motor type: BALDOR
Viscosity: _____		
Specific Gravity: 1.000		





Materials:

Base: Stainless steel
 EN 1.4408
 AISI 316
 Impeller: Stainless steel
 AISI 316
 EN 1.4401
 Material code: G
 Code for rubber: V

Tender Text



Product No.: [96419709](#)

CRN 32-5-2 A-G-G-V-HQQV

Vertical, non-self-priming, multistage, in-line, centrifugal pump for installation in pipe systems and mounting on a foundation.

The pump has the following characteristics:

- Impellers, intermediate chambers and outer sleeve are made of
 - Pump head cover and base are made of
 - The shaft seal has assembly length according to EN 12756.
 - Power transmission is via cast iron split coupling.
- flanges/couplings.

The motor is a 3-phase AC motor.

Controls:

Frequency converter: NONE

Liquid:

Pumped liquid: Water
Liquid temperature during operation: 68 °F
Density: 62.29 lb/ft³

Technical:

Speed for pump data: 3497 rpm
Pump orientation: Vertical
Shaft seal arrangement: Single
Code for shaft seal: HQQV
Approvals on nameplate: CURUS
Curve tolerance: ISO9906:2012 3B

Materials:

Base: Stainless steel
EN 1.4408
AISI 316
Impeller: Stainless steel
EN 1.4401
AISI 316
Bearing material: SIC
Support bearing: Graflon

Installation:

Maximum ambient temperature: 104 °F
Max pressure at stated temperature: 232 psi / 194 °F
232 psi / -4 °F



Company name:

Created by:

Phone:

Date:

2/21/2018

Type of connection: ANSI
Size of suction port: 2 1/2 inch
Size of outlet port: 2 1/2 inch
Pressure rating: PN 16
Flange size for motor: 254TC
Flange rating inlet: 150 lb

Electrical data:

Motor standard: NEMA
Motor type: BALDOR
IE Efficiency class: NEMA Premium / IE3 60Hz
Rated power - P2: 20 HP
Power (P2) required by pump: 20 HP
Main frequency: 60 Hz
Rated voltage: 3 x 230/460 V
Service factor: 1,15
Rated current: 47/23.5 A
Rated speed: 3525 rpm
Number of poles: 2
Insulation class (IEC 85): F

Others:

Net weight: 377 lb
Gross weight: 395 lb
Shipping volume: 17.5 ft³



Company name:

Created by:

Phone:

Date:

2/21/2018

Position	Count	Description
		Size of suction port: 2 1/2 inch
		Size of outlet port: 2 1/2 inch
		Pressure rating: PN 16
		Flange size for motor: 254TC
		Flange rating inlet: 150 lb
		Electrical data:
		Motor standard: NEMA
		Motor type: BALDOR
		IE Efficiency class: NEMA Premium / IE3 60Hz
		Rated power - P2: 20 HP
		Power (P2) required by pump: 20 HP
		Main frequency: 60 Hz
		Rated voltage: 3 x 230/460 V
		Service factor: 1,15
		Rated current: 47/23.5 A
		Rated speed: 3525 rpm
		Number of poles: 2
		Insulation class (IEC 85): F
		Others:
		Net weight: 377 lb
		Gross weight: 395 lb
		Shipping volume: 17.5 ft ³



Company name:

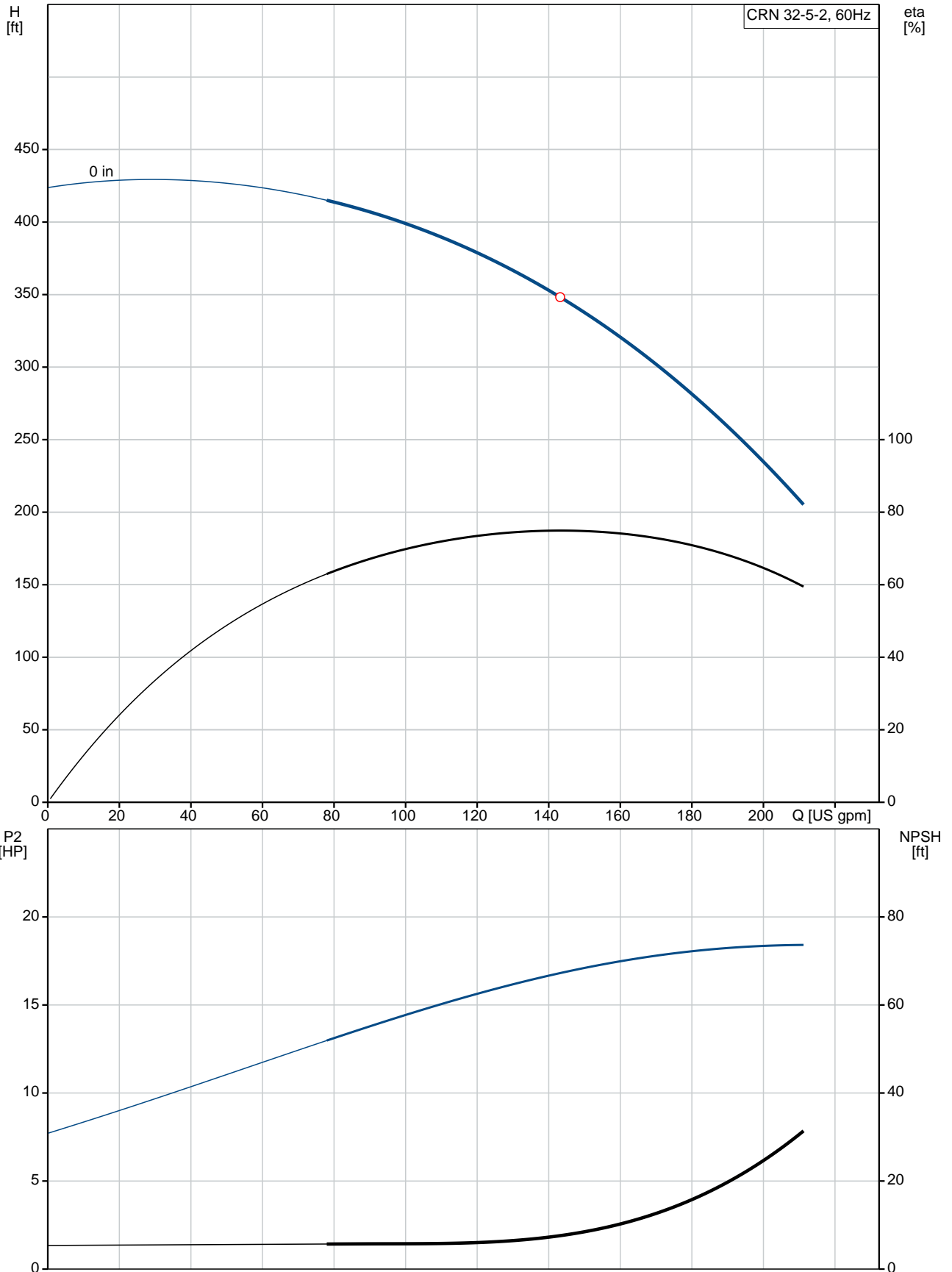
Created by:

Phone:

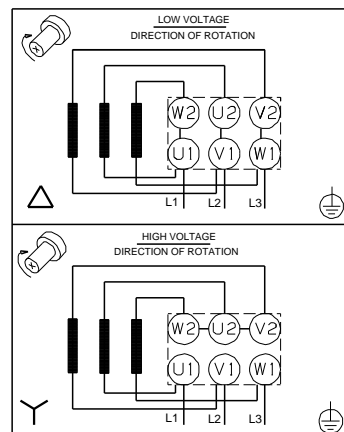
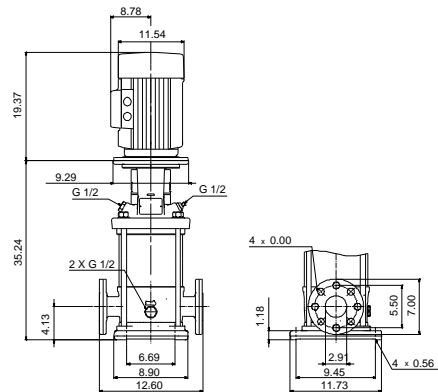
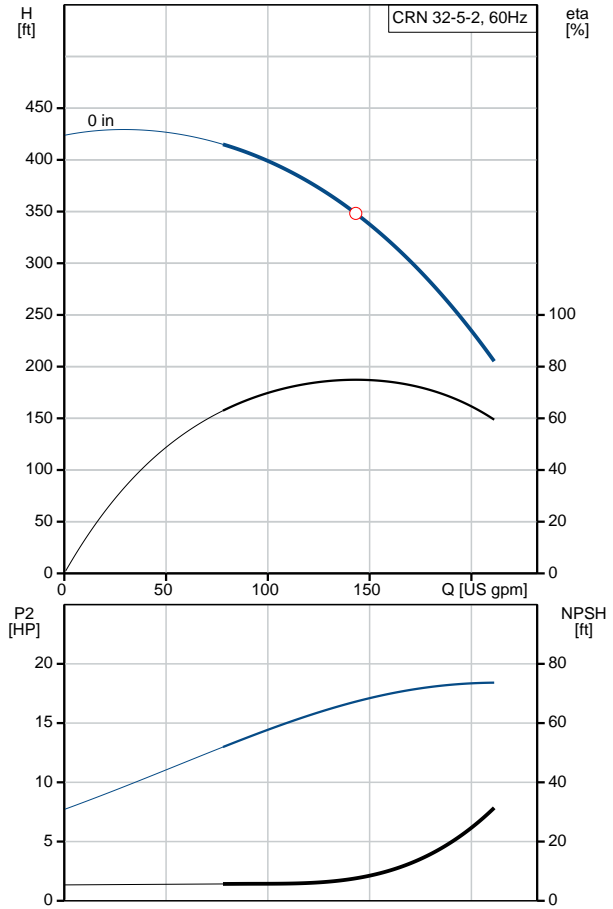
Date:

2/21/2018

96419709 CRN 32-5-2 60 Hz



Description	Value
General information:	
Product name:	CRN 32-5-2 A-G-G-V-HQQV
Product No.:	96419709
EAN:	5700390770730
Technical:	
Speed for pump data:	3497 rpm
Stages:	5
Impellers:	5
Number of reduced-diameter impellers:	2
Low NPSH:	N
Pump orientation:	Vertical
Shaft seal arrangement:	Single
Code for shaft seal:	HQQV
Approvals on nameplate:	CURUS
Curve tolerance:	ISO9906:2012 3B
Pump version:	A
Model:	B
Cooling:	ODP
Materials:	
Base:	Stainless steel EN 1.4408 AISI 316
Impeller:	Stainless steel EN 1.4401 AISI 316
Material code:	G
Code for rubber:	V
Bearing material:	SIC
Support bearing:	Graflon
Installation:	
Maximum ambient temperature:	104 °F
Max pressure at stated temperature:	232 psi / 194 °F
	232 psi / -4 °F
Type of connection:	ANSI
Connect code:	G
Size of suction port:	2 1/2 inch
Size of outlet port:	2 1/2 inch
Pressure rating:	PN 16
Flange size for motor:	254TC
Flange rating inlet:	150 lb
Liquid:	
Pumped liquid:	Water
Liquid temperature during operation:	68 °F
Density:	62.29 lb/ft³
Electrical data:	
Motor standard:	NEMA
Motor type:	BALDOR
IE Efficiency class:	NEMA Premium / IE3 60Hz
Rated power - P2:	20 HP
Power (P2) required by pump:	20 HP
KVA code:	F





Company name:

Created by:

Phone:

Date:

2/21/2018

Description	Value
Main frequency:	60 Hz
Rated voltage:	3 x 230/460 V
Service factor:	1,15
Rated current:	47/23.5 A
Load current:	54/27 A
Rated speed:	3525 rpm
Number of poles:	2
Insulation class (IEC 85):	F
Motor protection:	NONE
Motor Number:	84Z03568

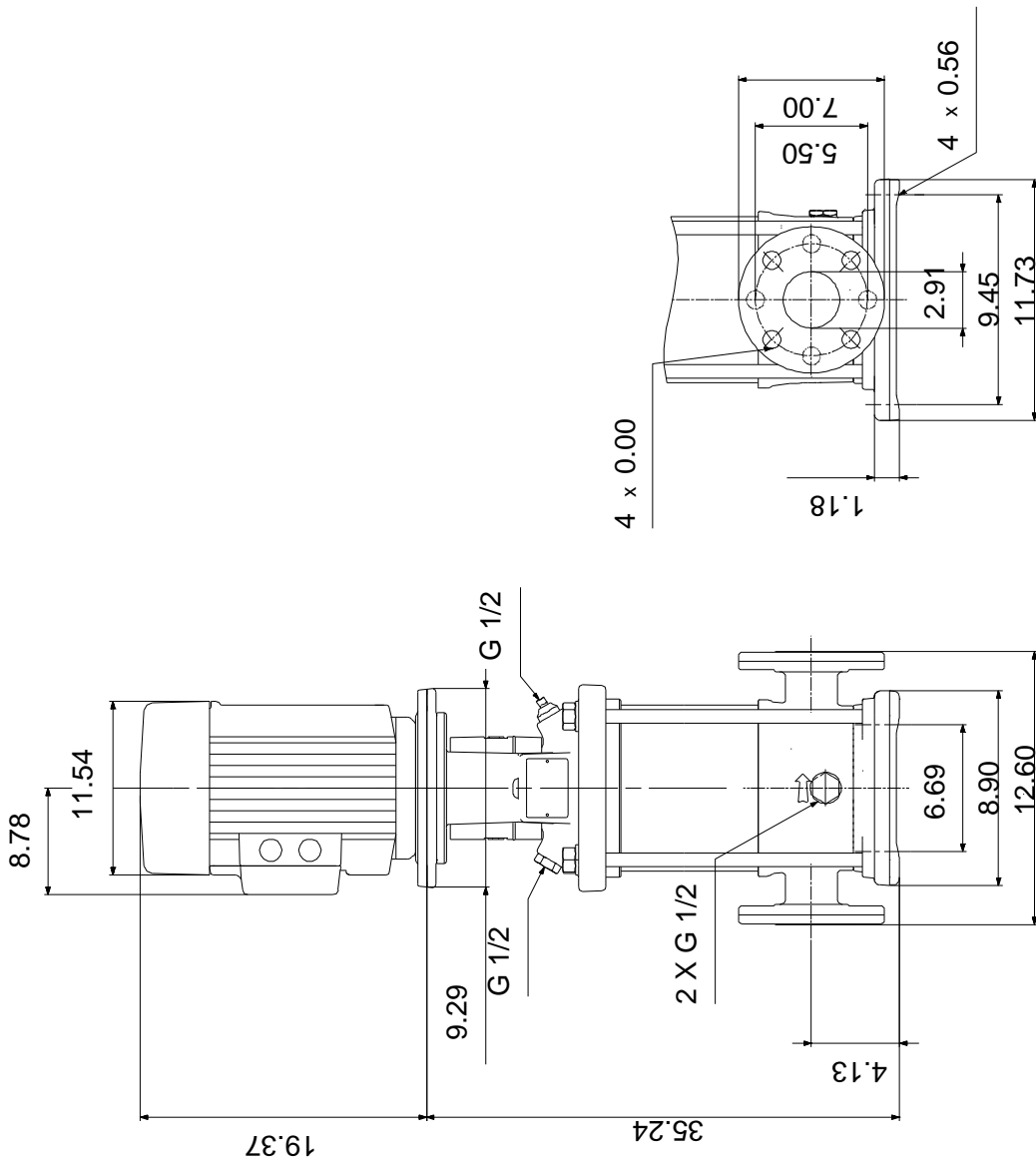
Controls:

Frequency converter:	NONE
----------------------	------

Others:

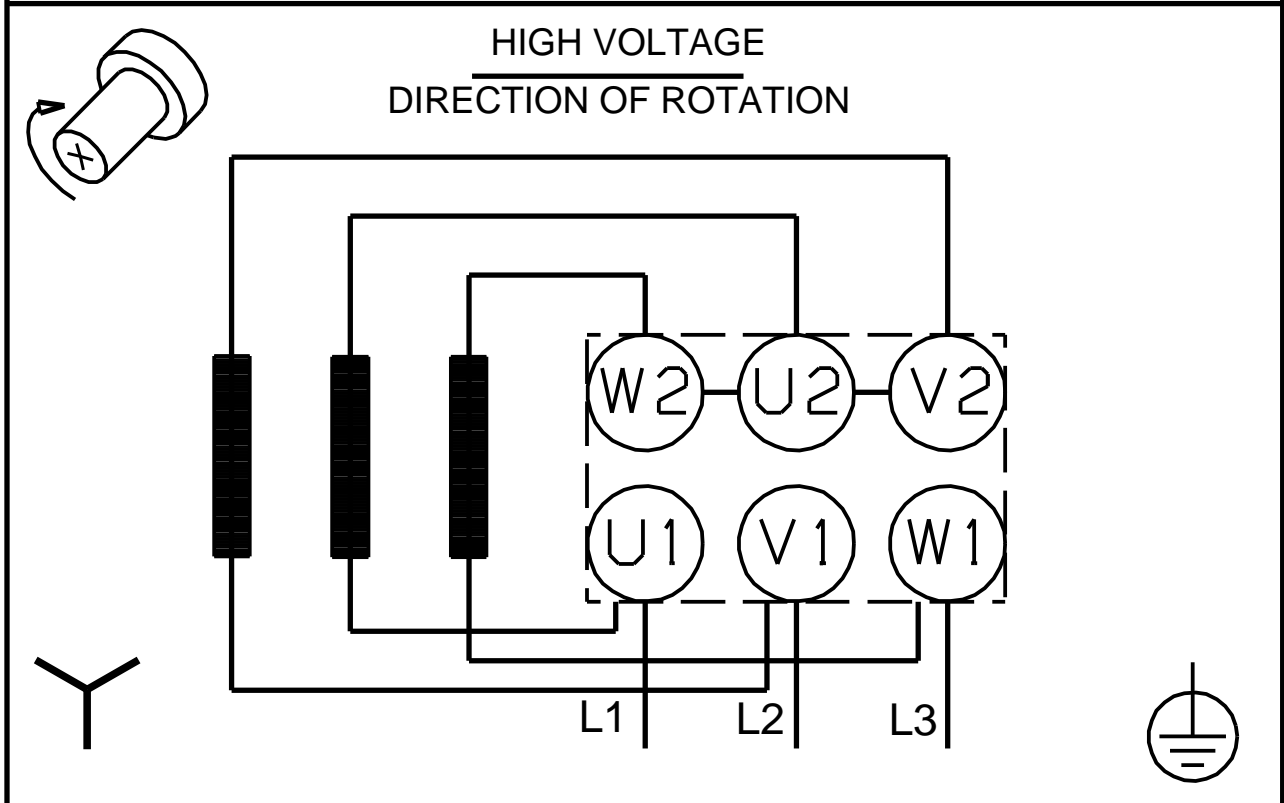
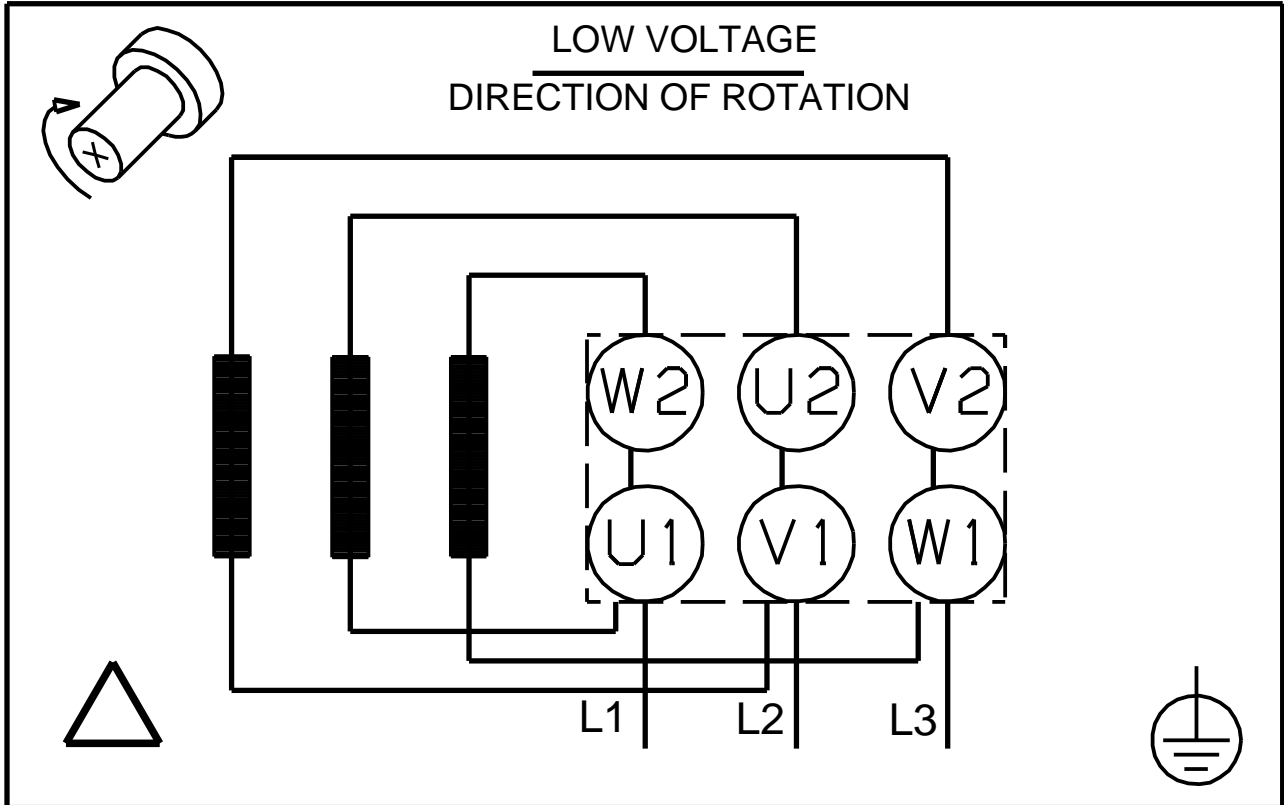
Net weight:	377 lb
Gross weight:	395 lb
Shipping volume:	17.5 ft ³
Sales region:	Namreg

96419709 CRN 32-5-2 60 Hz



Note! All units are in [mm] unless otherwise stated.
 Disclaimer: This simplified dimensional drawing does not show all details.

96419709 CRN 32-5-2 60 Hz



All units are [mm] unless otherwise presented.



Company name:

Created by:

Phone:

Date: 2/21/2018

Order Data:

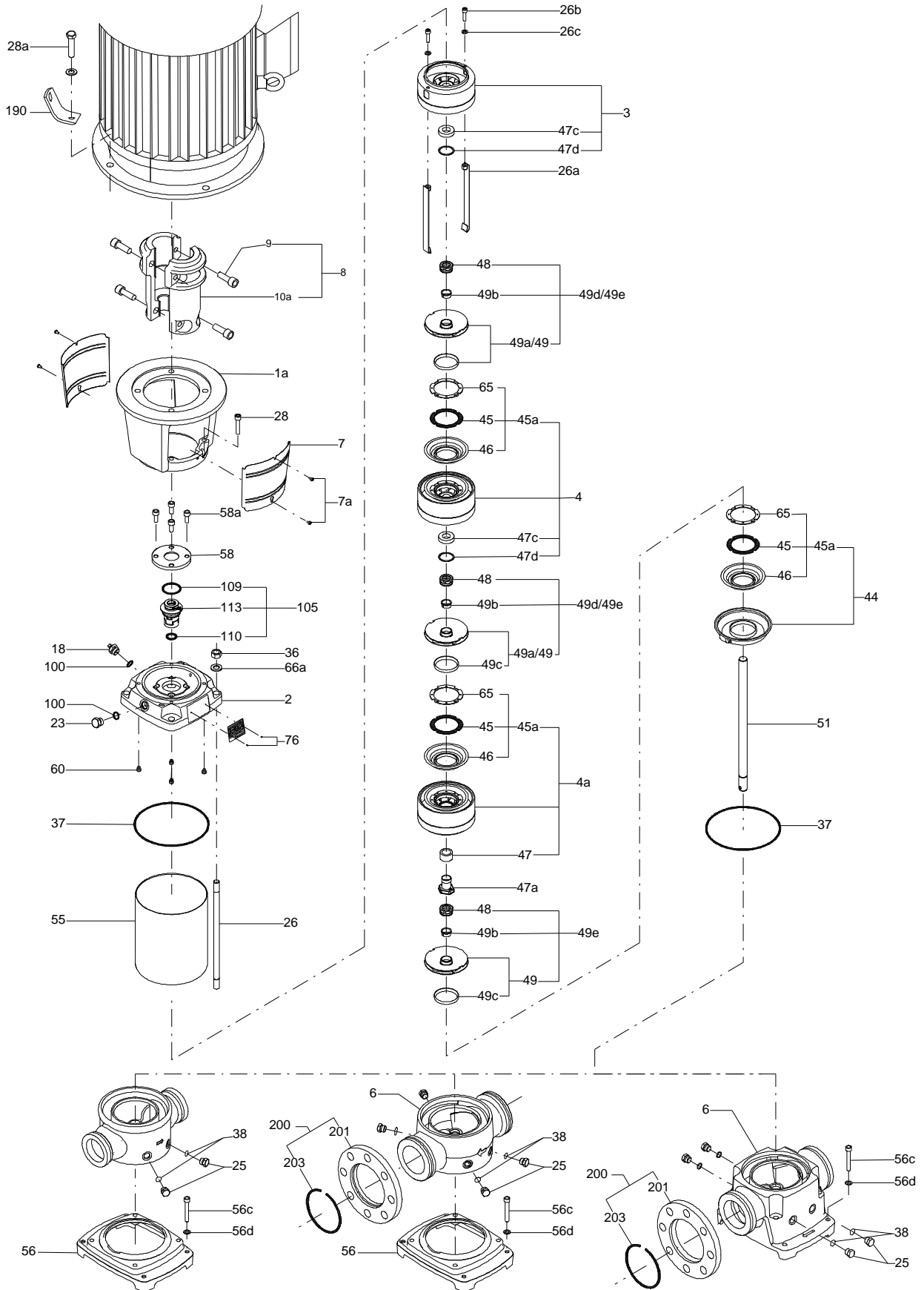
Product name: CRN 32-5-2 A-G-G-V-HQQV

Amount: 1

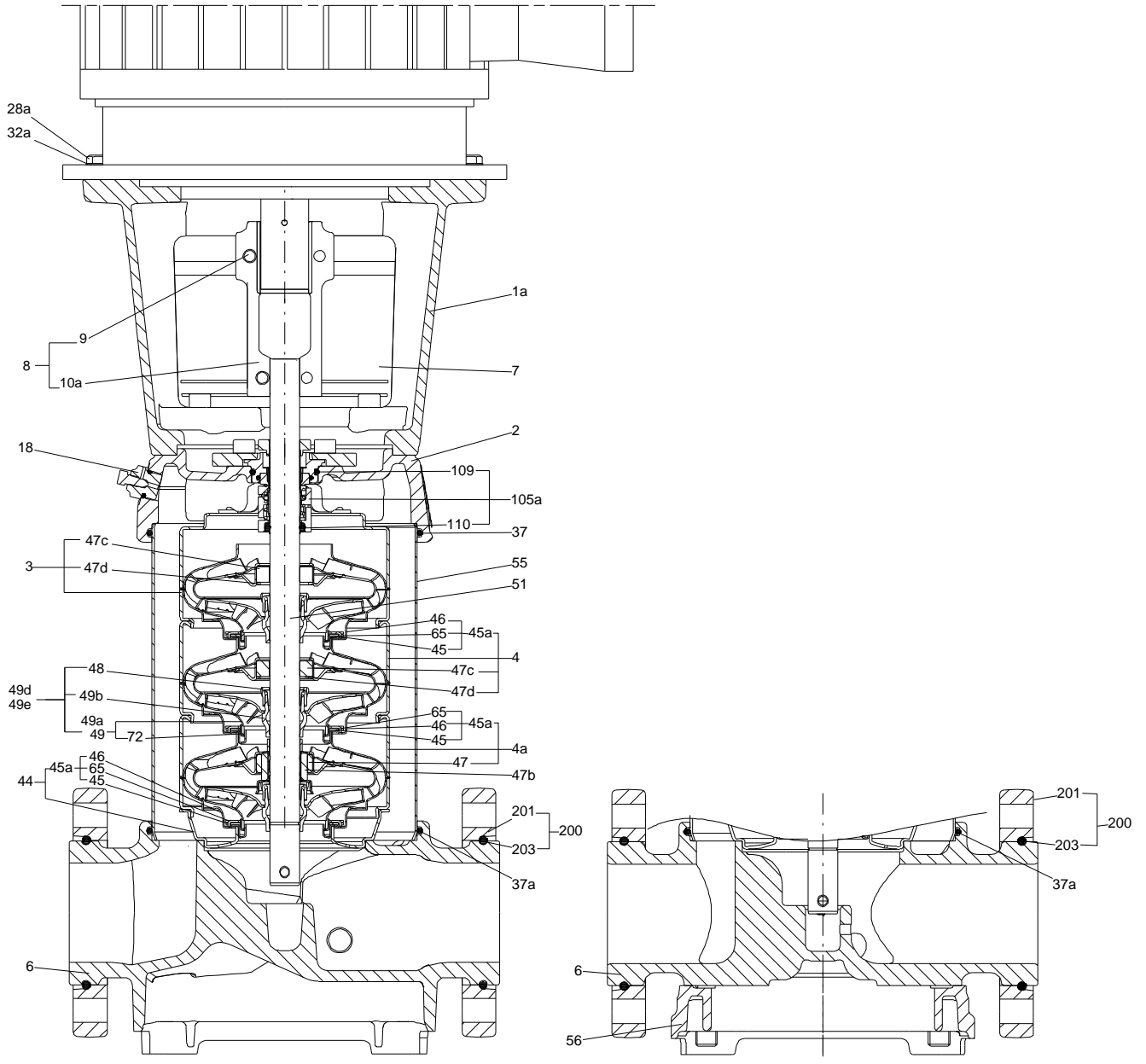
Product No.: 96419709

Total: Price on request

Exploded view (TM065558 LACR)



Sectional drawing (TM065571 LACR)



Parts list CRN 32-5-2, Prod number 96419709

Valid from 3.3.2014 (1410)

Position	Description	Annotation	Classification data	Part No.	Count	Unit
	Motor				1	pcs
-	Flange cpl.				2	pcs
201	Flange				1	
203	Lock ring				1	
-	Motor stool cpl.				1	pcs
1a	Motor stool				1	
7	Coupling guard				2	
7a	Socket button head screw				4	
28	Hex socket head cap screw		Designation: DIN 912		4	
			Length: 50			
			Thread: M10			
28a	Hex socket head cap screw		Length: 13		4	
			Thread: 1/2"			
- 1	Basic unit				1	pcs
- 2a	Pump head cpl.				1	
2	Pump head					
9	Hex socket head cap screw		Designation: DIN 912			
			Length: 25			
			Thread: M10			
- 18	Air vent screw					
	Plug					
	Spindle					
23	Plug					
37	O-ring		Diameter: 197			
			Material type: FKM			
			Thickness: 4			
58	Cover					
60	Spring					
100	O-ring		Diameter: 16,3			
			Material type: FKM			
			Thickness: 2,4			
- 6b	Base cpl.		Rubber type: FKM		1	
6	Base					
25	Plug					
32	Washer		Designation: DIN 125A			
			Inner diameter: 6,4			
			Outer diameter: 12,0			
			Thickness: 1,6			
37	O-ring		Diameter: 197			
			Material type: FKM			
			Thickness: 4			
38	O-ring		Diameter: 16,3			
			Material type: FKM			
			Thickness: 2,4			
56	Base plate					
26	Staybolt		Length: 562		4	
			Thread: M16			
36	Nut		Thread: M16		4	
55	Outer sleeve		Outer diameter: 197		1	
			Length: 375,5			
66a	Washer		Designation: DIN 125 A2		4	
			Inner diameter: 17			
			Outer diameter: 30			

Position	Description	Annotation	Classification data	Part No.	Count	Unit
			Thickness: 3			
- 80	Chamber stack				1	
- 3	Upper chamber cpl.					
	Chamber					
	Chamber					
	Guide					
	Cone					
	Guide cup					
	Guide cup					
47c	Bush					
47d	Lock ring					
- 4	Intermediate chamber cpl.					
	Chamber					
	Chamber					
	Neck ring cpl.					
	Guide					
	Cone					
	Guide cup					
	Guide cup					
47c	Bush					
47d	Lock ring					
- 4a	Intermediate chamber cpl.					
	Chamber					
	Chamber					
	Neck ring cpl.					
	Guide					
	Cone					
	Guide cup					
	Guide cup					
47	Bearing					
26a	Strap cpl.		Length: 359			
			Thread: M8			
26b	Hex socket head cap screw					
26c	Washer		Designation: DIN 125A			
			Inner diameter: 8,4			
			Outer diameter: 16			
			Thickness: 1,6			
- 44	Suction interconnector coupling					
44a	Inlet part					
45	Seal ring					
65	Neck ring					
65	Top f/neck ring					
- 47a	Bearing cpl.					
	Disc spring					
	Bearing ring, rotating					
	Holder					
	Driver					
- 49	Impeller cpl.					
48	Nut					
- 49	Impeller					
	Impeller hub					
49c	Wear ring					
49b	Split cone					
- 49a	Impeller cpl. reduced diameter					
48	Nut					
- 49a	Impeller					
	Impeller hub					
49c	Wear ring					
49b	Split cone					



Company name:

Created by:

Phone:

Date: 2/21/2018

Position	Description	Annotation	Classification data	Part No.	Count	Unit
51	Shaft					
- 8	Coupling cpl.		Dimension: 22/41,2		1	pcs
9	Hex socket head cap screw		Designation: DIN 912		4	
			Length: 25			
			Thread: M10			
10a	Coupling half				2	
- 105	Shaft seal		Material type: HQQV		1	pcs
	Adjusting fork				1	
109	O-ring		Diameter: 44,45		1	
			Material type: FKM			
			Thickness: 3,53			
110	O-ring		Diameter: 21,5		1	
			Thickness: 4,25			