

PROJECT: _____	UNIT TAG: _____	QUANTITY: _____
REPRESENTATIVE: _____	TYPE OF SERVICE: _____	DATE: _____
ENGINEER: _____	SUBMITTED BY: _____	DATE: _____
CONTRACTOR: _____	APPROVED BY: _____	DATE: _____
	ORDER NO.: _____	DATE: _____

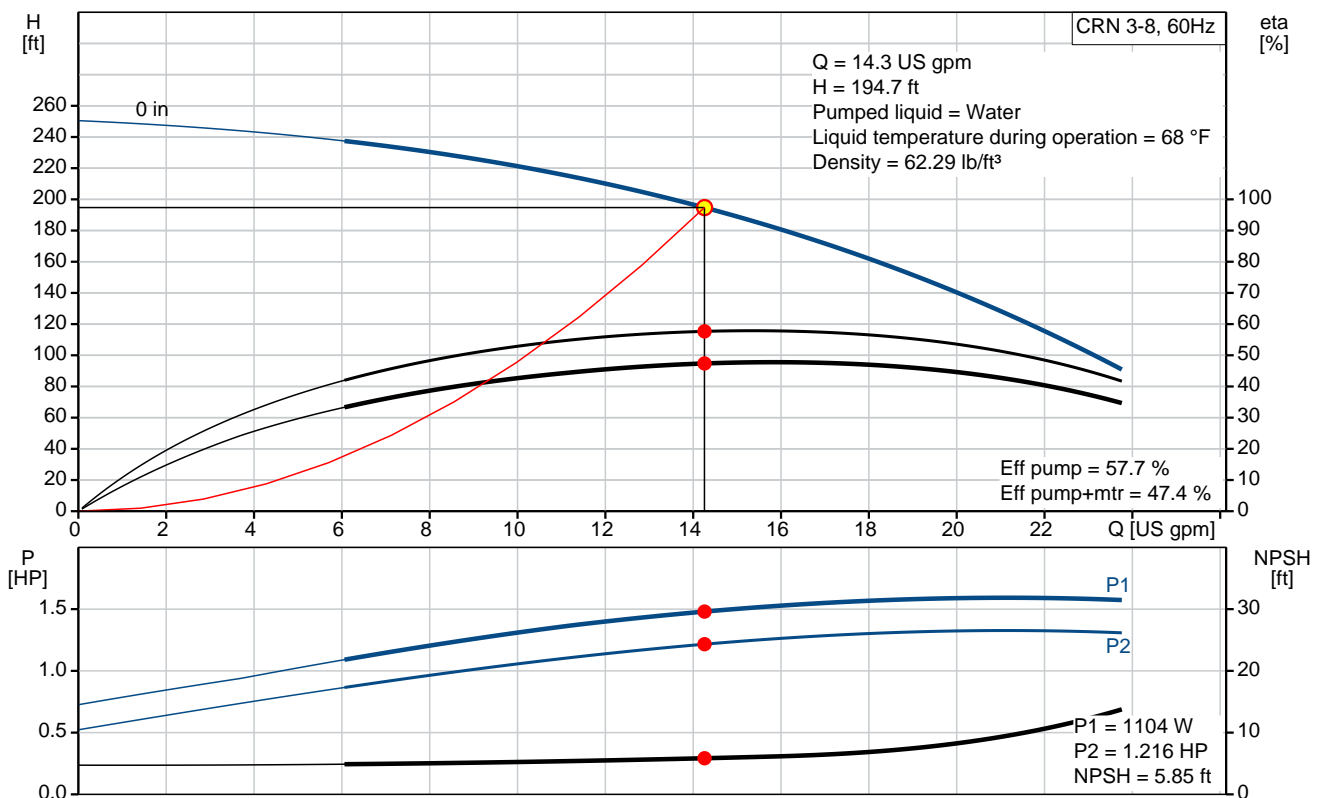


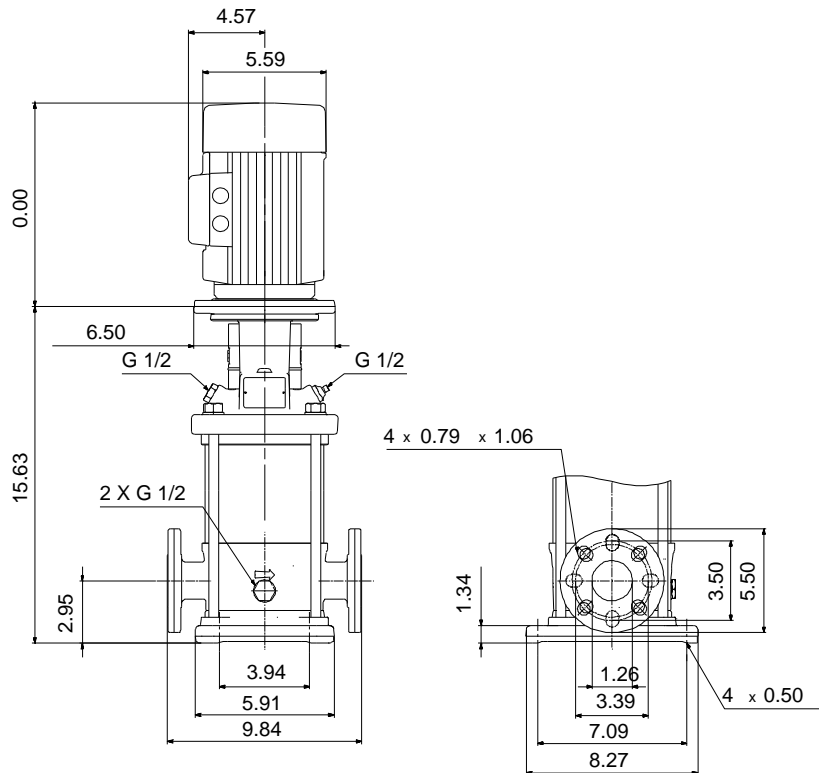
CRN 3-8

Vertical, multistage centrifugal pump with suction and discharge ports on same the level. Pump materials in contact with the liquid are in high-grade stainless steel (EN 1.4401) (AISI 316)

Product photo could vary from the actual product

Conditions of Service		Pump Data		Motor Data	
Flow:	14.3 US gpm	Max pressure at stated temperature:	363 psi / 194 °F	Rated power - P2:	1.5 HP
Head:	194.7 ft	Maximum ambient temperature:	140 °F	Rated voltage:	208-230YY/460Y V
Efficiency:	47.4 %	Approvals:	CURUS	Main frequency:	60 Hz
Liquid:	Water	Shaft seal:	HQQV	Enclosure class:	55 Dust/Jetting
Temperature:	68 °F	Product number:	96084022	Insulation class:	F
NPSH required:	5.85 ft			Motor protection:	NONE
Viscosity:	_____			Motor type:	80CA
Specific Gravity:	1.000			Motor_efficiency:	84.9 %





Materials:

Base: Stainless steel
 EN 1.4408
 AISI 316

Impeller: Stainless steel
 AISI 316
 EN 1.4401

Material code: G
 Code for rubber: V

Tender Text



Product No.: [96084022](#)

CRN 3-8 A-FGJ-G-V-HQQV

Vertical, non-self-priming, multistage, in-line, centrifugal pump for installation in pipe systems and mounting on a foundation.

The pump has the following characteristics:

- Impellers, intermediate chambers and outer sleeve are made of
 - Pump head cover and base are made of
 - The shaft seal has assembly length according to EN 12756.
 - Power transmission is via cast iron split coupling.
- flanges/couplings.

The motor is a 3-phase AC motor.

Controls:

Frequency converter: NONE

Liquid:

Pumped liquid: Water
Liquid temperature during operation: 68 °F
Density: 62.29 lb/ft³

Technical:

Speed for pump data: 3466 rpm
Actual calculated flow: 14.3 US gpm
Resulting head of the pump: 194.7 ft
Pump orientation: Vertical
Shaft seal arrangement: Single
Code for shaft seal: HQQV
Approvals on nameplate: CURUS
Curve tolerance: ISO9906:2012 3B

Materials:

Base: Stainless steel
EN 1.4408
AISI 316
Impeller: Stainless steel
EN 1.4401
AISI 316
Bearing material: SIC

Installation:

Maximum ambient temperature: 140 °F
Max pressure at stated temperature: 363 psi / 194 °F



Company name:

Created by:

Phone:

Date:

2/21/2018


Type of connection: 363 psi / -4 °F
DIN / ANSI / JIS
Size of inlet connection: DN 25/32
Size of suction port: 1 1/4 inch
Size of outlet connection: DN 25/32
Size of outlet port: 1 1/4 inch
Pressure rating: PN 25
Flange size for motor: 56C
Flange rating inlet: 300 lb

Electrical data:

Motor standard: NEMA
Motor type: 80CA
IE Efficiency class: NEMA Premium / IE3 60Hz
Rated power - P2: 1.5 HP
Power (P2) required by pump: 1.5 HP
Main frequency: 60 Hz
Rated voltage: 3 x 208-230YY/460Y V
Service factor: 1,15
Rated current: 4,45-4,3/2,16 A
Starting current: 720 %
Cos phi - power factor: 0,84-0,78
Rated speed: 3440-3480 rpm
IE efficiency: IE3 84,1%
Motor efficiency at full load: 84.9 %
Motor efficiency at 3/4 load: 81.0 %
Motor efficiency at 1/2 load: 78.5 %
Number of poles: 2
Enclosure class (IEC 34-5): 55 Dust/Jetting
Insulation class (IEC 85): F

Others:

Net weight: 56.6 lb
Gross weight: 67.6 lb
Shipping volume: 4.94 ft³

Position	Count	Description
	1	<p>CRN 3-8 A-FGJ-G-V-HQQV</p>  <p>Product No.: 96084022 Vertical, non-self-priming, multistage, in-line, centrifugal pump for installation in pipe systems and mounting on a foundation.</p> <p>The pump has the following characteristics:</p> <ul style="list-style-type: none"> - Impellers, intermediate chambers and outer sleeve are made of - Pump head cover and base are made of - The shaft seal has assembly length according to EN 12756. - Power transmission is via cast iron split coupling flanges/couplings. <p>The motor is a 3-phase AC motor.</p> <p>Controls: Frequency converter: NONE</p> <p>Liquid: Pumped liquid: Water Liquid temperature during operation: 68 °F Density: 62.29 lb/ft³</p> <p>Technical: Speed for pump data: 3466 rpm Actual calculated flow: 14.3 US gpm Resulting head of the pump: 194.7 ft Pump orientation: Vertical Shaft seal arrangement: Single Code for shaft seal: HQQV Approvals on nameplate: CURUS Curve tolerance: ISO9906:2012 3B</p> <p>Materials: Base: Stainless steel EN 1.4408 AISI 316 Impeller: Stainless steel EN 1.4401 AISI 316 Bearing material: SIC</p> <p>Installation: Maximum ambient temperature: 140 °F Max pressure at stated temperature: 363 psi / 194 °F 363 psi / -4 °F</p>



Company name:

Created by:

Phone:

Date:

2/21/2018

Position	Count	Description
		Type of connection: DIN / ANSI / JIS Size of inlet connection: DN 25/32 Size of suction port: 1 1/4 inch Size of outlet connection: DN 25/32 Size of outlet port: 1 1/4 inch Pressure rating: PN 25 Flange size for motor: 56C Flange rating inlet: 300 lb Electrical data: Motor standard: NEMA Motor type: 80CA IE Efficiency class: NEMA Premium / IE3 60Hz Rated power - P2: 1.5 HP Power (P2) required by pump: 1.5 HP Main frequency: 60 Hz Rated voltage: 3 x 208-230YY/460Y V Service factor: 1,15 Rated current: 4,45-4,3/2,16 A Starting current: 720 % Cos phi - power factor: 0,84-0,78 Rated speed: 3440-3480 rpm IE efficiency: IE3 84,1% Motor efficiency at full load: 84.9 % Motor efficiency at 3/4 load: 81.0 % Motor efficiency at 1/2 load: 78.5 % Number of poles: 2 Enclosure class (IEC 34-5): 55 Dust/Jetting Insulation class (IEC 85): F Others: Net weight: 56.6 lb Gross weight: 67.6 lb Shipping volume: 4.94 ft ³



Company name:

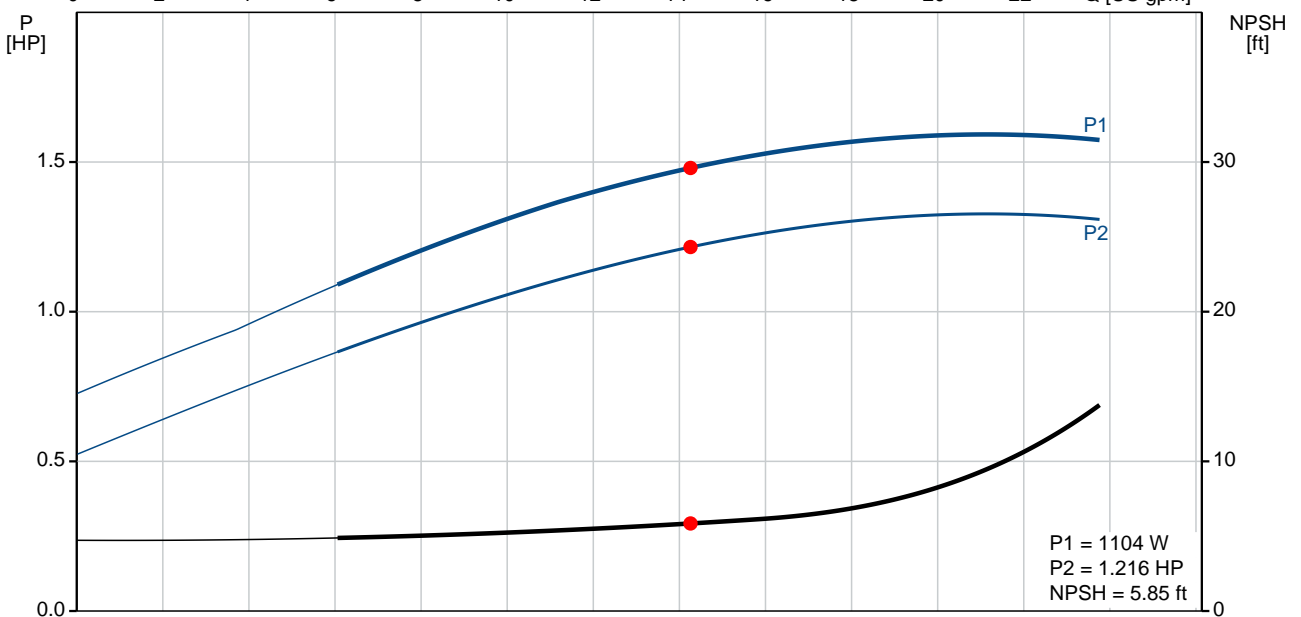
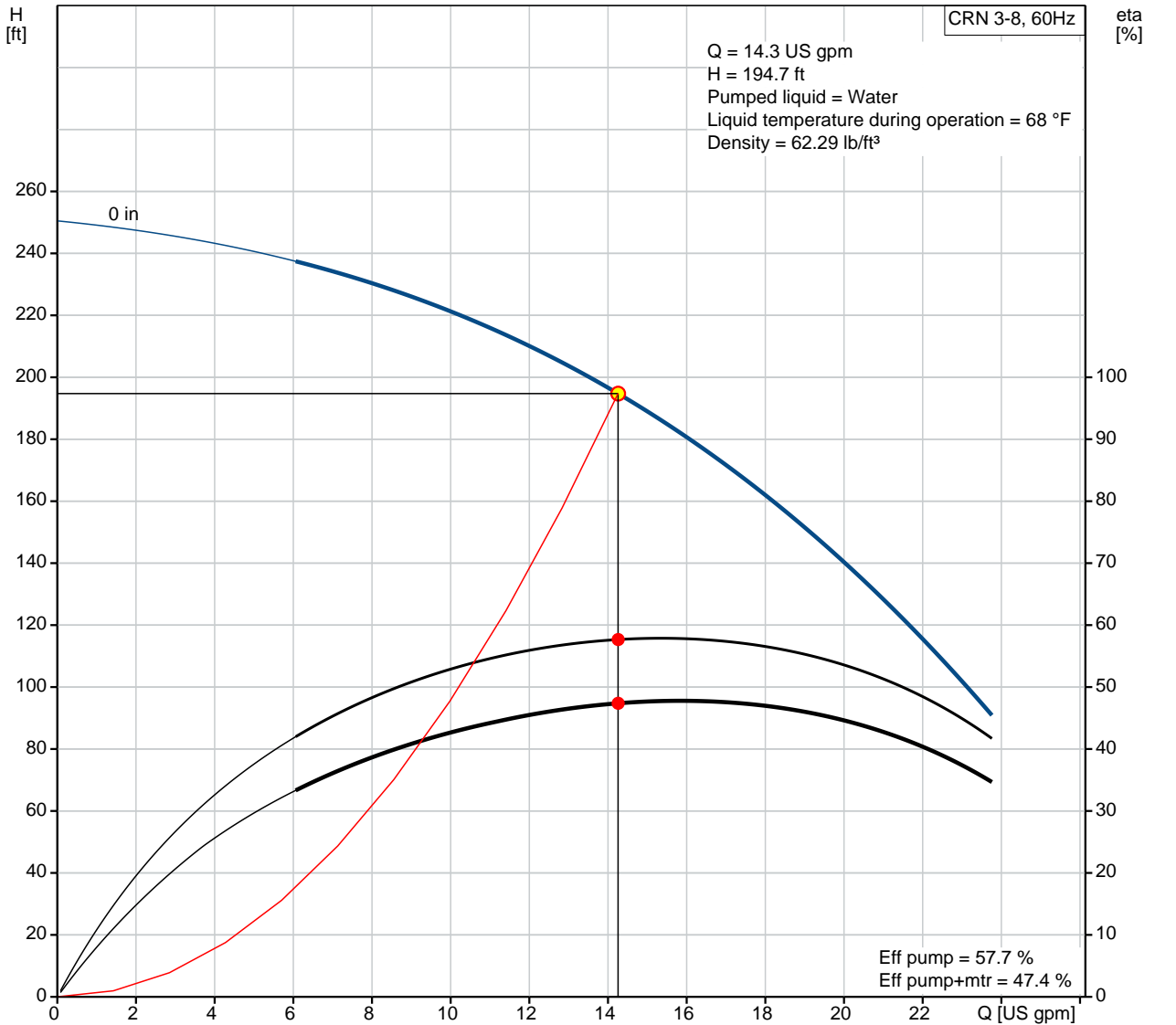
Created by:

Phone:

Date:

2/21/2018

96084022 CRN 3-8 60 Hz



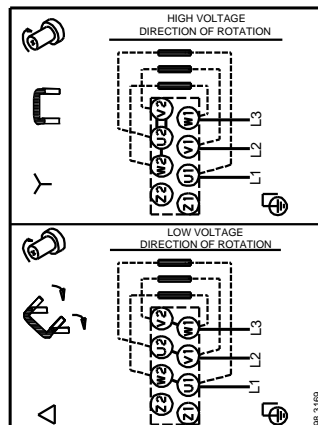
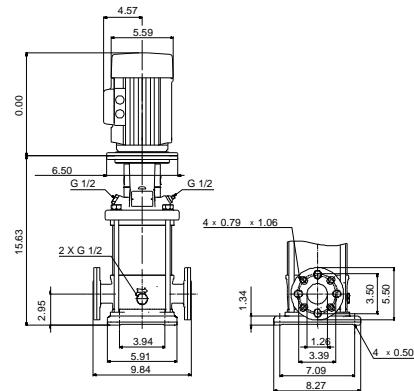
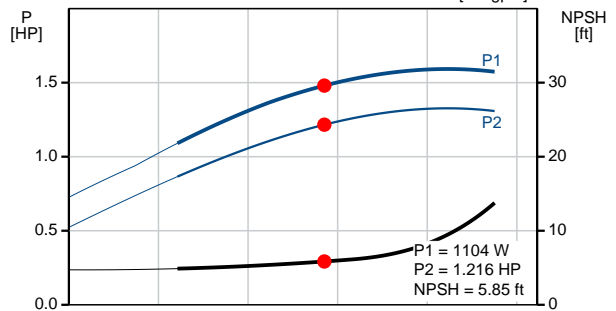
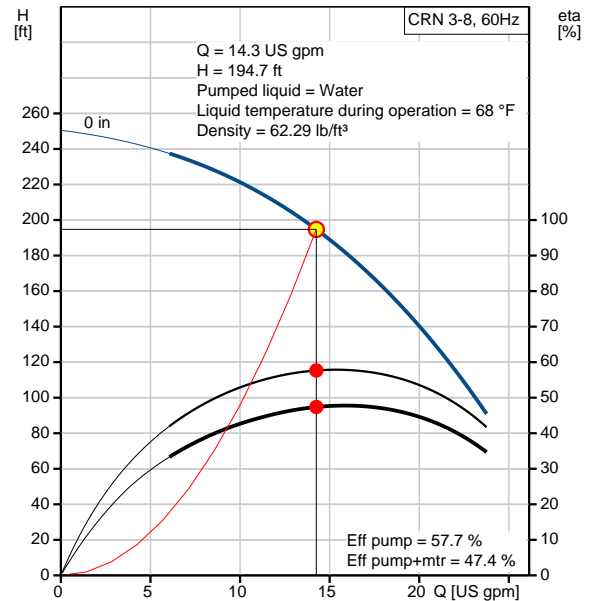
Description	Value
General information:	
Product name:	CRN 3-8 A-FGJ-G-V-HQQV
Product No.:	96084022
EAN:	5700395181500
Technical:	
Speed for pump data:	3466 rpm
Actual calculated flow:	14.3 US gpm
Resulting head of the pump:	194.7 ft
Stages:	8
Impellers:	8
Low NPSH:	N
Pump orientation:	Vertical
Shaft seal arrangement:	Single
Code for shaft seal:	HQQV
Approvals on nameplate:	CURUS
Curve tolerance:	ISO9906:2012 3B
Pump version:	A
Model:	A
Cooling:	TEFC

Materials:	
Base:	Stainless steel EN 1.4408 AISI 316
Impeller:	Stainless steel EN 1.4401 AISI 316
Material code:	G
Code for rubber:	V
Bearing material:	SIC

Installation:	
Maximum ambient temperature:	140 °F
Max pressure at stated temperature:	363 psi / 194 °F 363 psi / -4 °F
Type of connection:	DIN / ANSI / JIS
Connect code:	FGJ
Size of inlet connection:	DN 25/32
Size of suction port:	1 1/4 inch
Size of outlet connection:	DN 25/32
Size of outlet port:	1 1/4 inch
Pressure rating:	PN 25
Flange size for motor:	56C
Flange rating inlet:	300 lb

Liquid:	
Pumped liquid:	Water
Liquid temperature during operation:	68 °F
Density:	62.29 lb/ft³

Electrical data:	
Motor standard:	NEMA
Motor type:	80CA
IE Efficiency class:	NEMA Premium / IE3 60Hz
Rated power - P2:	1.5 HP
Power (P2) required by pump:	1.5 HP
Main frequency:	60 Hz
Rated voltage:	3 x 208-230YY/460Y V





Company name:

Created by:

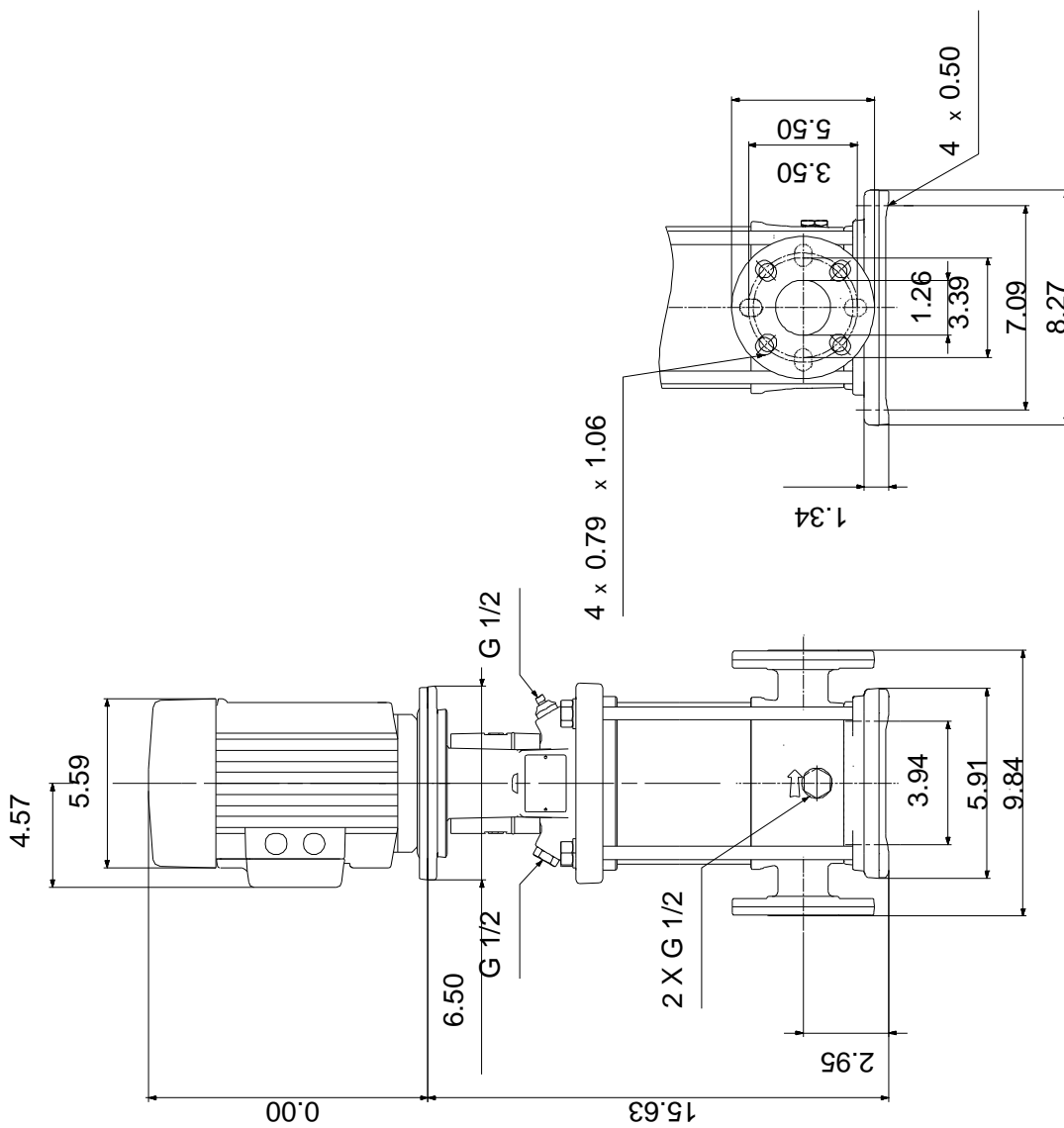
Phone:

Date:

2/21/2018

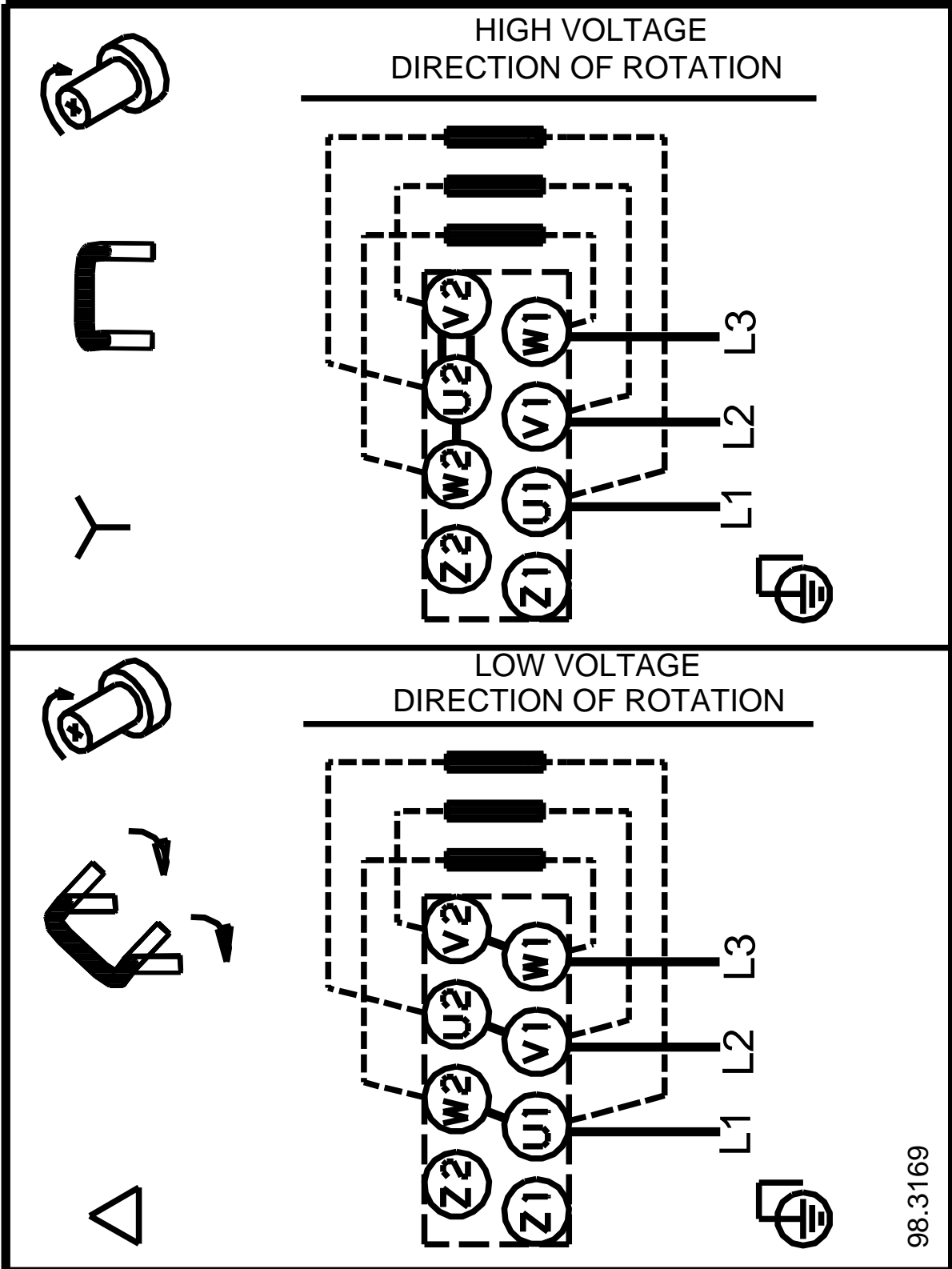
Description	Value
Service factor:	1,15
Rated current:	4,45-4,3/2,16 A
Starting current:	720 %
Load current:	5,1-4,95/2,48 A
Cos phi - power factor:	0,84-0,78
Rated speed:	3440-3480 rpm
IE efficiency:	IE3 84,1%
Motor efficiency at full load:	84.9 %
Motor efficiency at 3/4 load:	81.0 %
Motor efficiency at 1/2 load:	78.5 %
Number of poles:	2
Enclosure class (IEC 34-5):	55 Dust/Jetting
Insulation class (IEC 85):	F
Motor protection:	NONE
Motor Number:	98976607
Controls:	
Frequency converter:	NONE
Others:	
Net weight:	56.6 lb
Gross weight:	67.6 lb
Shipping volume:	4.94 ft ³

96084022 CRN 3-8 60 Hz



Note! All units are in [mm] unless otherwise stated.
Disclaimer: This simplified dimensional drawing does not show all details.

96084022 CRN 3-8 60 Hz



98.3169

All units are [mm] unless otherwise presented.



Company name:

Created by:

Phone:

Date:

2/21/2018

Order Data:

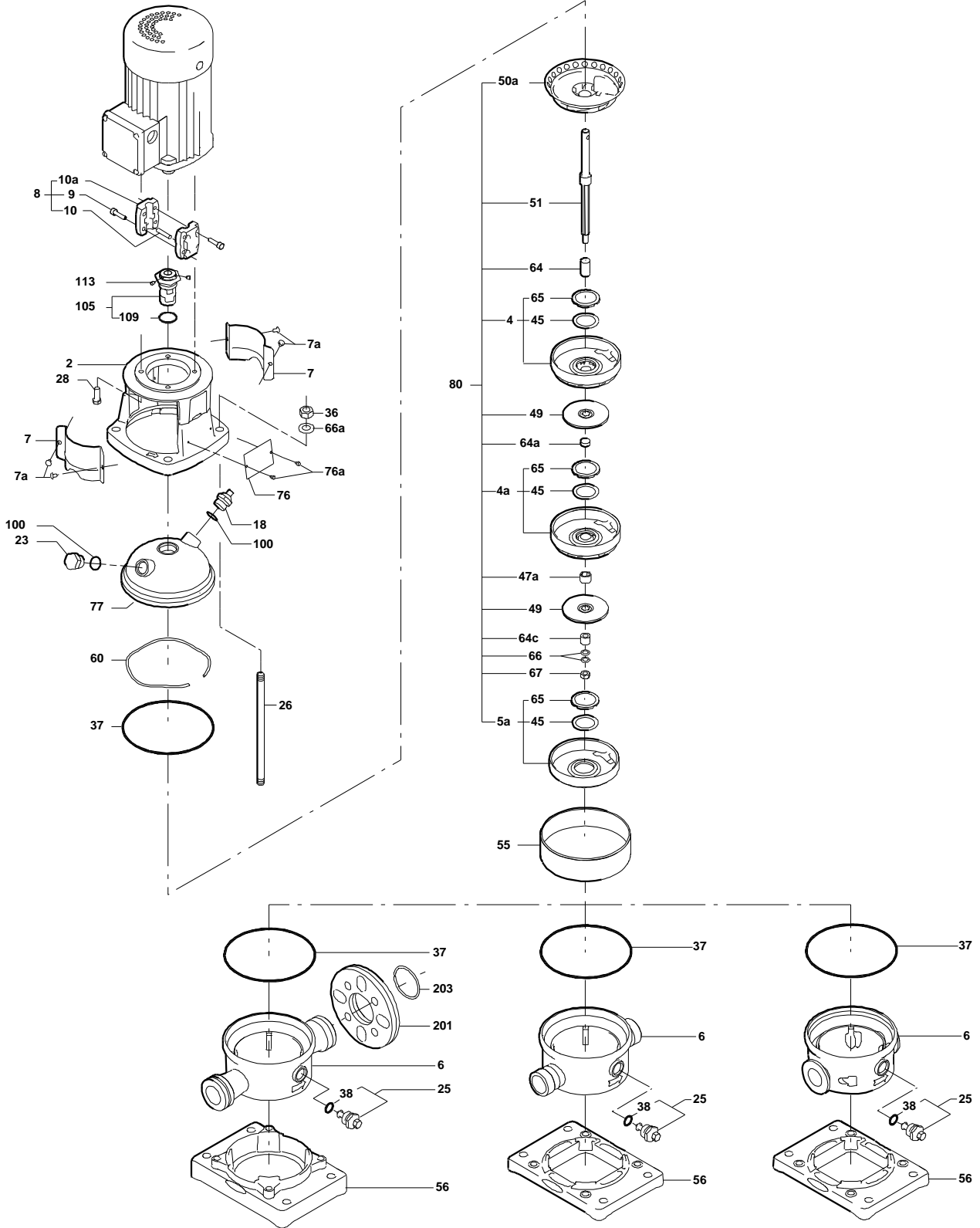
Product name: CRN 3-8 A-FGJ-G-V-HQQV

Amount: 1

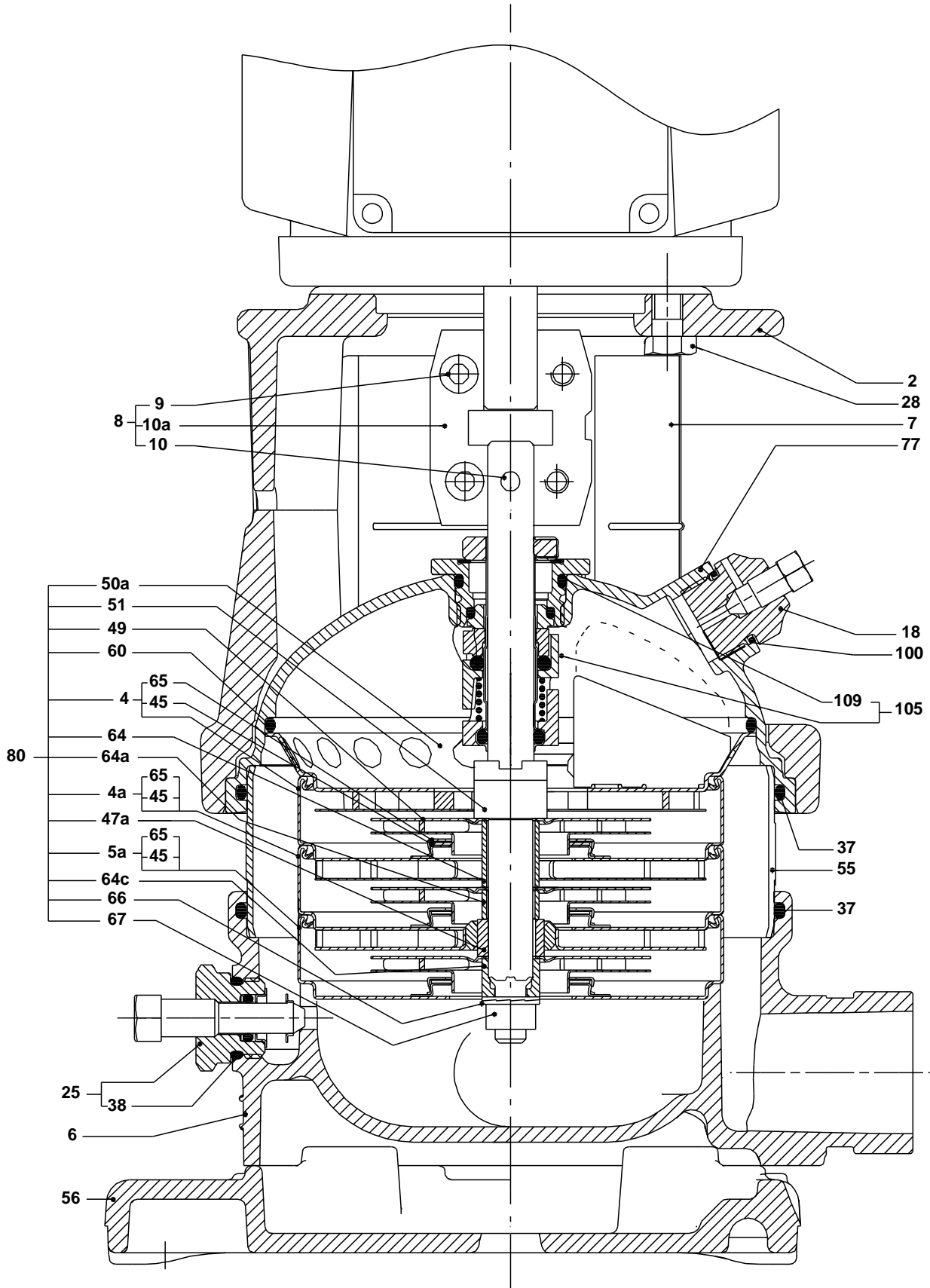
Product No.: 96084022

Total: Price on request

Exploded view (TM02 0212 4100)



Sectional drawing (TM02 0215 4100)



TM02

Parts list CRN 3-8, Prod number 96084022

Valid from 16.9.2016 (1638)

Position	Description	Annotation	Classification data	Part No.	Count	Unit
	Motor				1	pcs
-	Base cpl.				1	pcs
6	Base				1	
56	Base plate				1	
201.a	Flange				2	
203	Lock ring				2	
-	Sealing parts				1	pcs
- 25	Drain plug w/bypass valve				1	
38	O-ring		Diameter: 16,3			
			Material type: FKM			
			Thickness: 2,4			
37	O-ring		Diameter: 137,5		2	
			Material type: FKM			
			Thickness: 3,3			
100	O-ring		Diameter: 16,3		2	
			Material type: FKM			
			Thickness: 2,4			
- 2	Pump head cpl.				1	pcs
2	Motor stool				1	
7	Coupling guard				2	
7a	Thread cutting screw				4	
- 18	Air vent screw				1	
	Plug					
	Spindle					
- 25	Drain plug				1	
23	Pipe plug					
25	Drain plug					
28	Hex head cap screw		Length: 25		4	
			Thread: UNC 3/8"			
60	Formed wire spring				1	
77	Pump cover				1	
- 8	Coupling cpl.				1	pcs
9	Hex socket head cap screw		Designation: DIN 912		4	
			Length: 20			
			Thread: M6			
10	Shaft pin		Diameter: 5		1	
			Length: 26			
10a	Coupling half				2	
26	Staybolt		Length: 241		4	pcs
			Thread: M12			
36	Nut		Thread: M12		4	pcs
55	Outer sleeve				1	pcs
66a	Washer		Designation: DIN 125 A2		4	pcs
			Inner diameter: 13			
			Outer diameter: 24			
			Thickness: 2,5			
- 80	Chamber stack				1	pcs
-	Chamber cpl.				6	
4a	Intermediate chamber					
45	Neck ring					
65	Neck ring retainer					
	Impeller cpl.				8	
-	Chamber w. bearing cpl.				1	

Position	Description	Annotation	Classification data	Part No.	Count	Unit
4a	Intermediate chamber					
45	Neck ring					
65	Neck ring retainer					
- 5a	Chamber cpl.				1	
4a	Intermediate chamber					
45	Neck ring					
65	Neck ring retainer					
36	Lock nut		Thread: M8		1	
47a	Bearing ring, rotating				1	
- 50a	Guide vane cpl.				1	
	Guide vane					
	Plate					
50b	Top plate					
51	Shaft, spline, cpl.				1	
64a	Spacing pipe				6	
64a	Spacing pipe		Inner diameter: 12,85		1	
			Outer diameter: 15,85			
			Length: 4,50			
64c	Clamp, splined		Inner diameter: 8,5		1	
			Outer diameter: 15			
66	Wedge lock washer				1	
- 105	Shaft seal		Material type: HQQV		1	pcs
	O-ring				1	
	O-ring				1	
	O-ring				1	
	Seal driver, upper				1	
	Seal driver, lower				1	
	Spacer ring				1	
	Pipe				1	
	Plug				1	
	Plug				1	
	Compression spring				1	
	Socket set screw				3	
103	Seal ring, stationary				1	
105	Seal ring, rotating				1	
109	O-ring				1	
113	Driver				1	