

PROJECT: _____	UNIT TAG: _____	QUANTITY: _____
REPRESENTATIVE: _____	TYPE OF SERVICE: _____	DATE: _____
ENGINEER: _____	SUBMITTED BY: _____	DATE: _____
CONTRACTOR: _____	APPROVED BY: _____	DATE: _____
	ORDER NO.: _____	DATE: _____

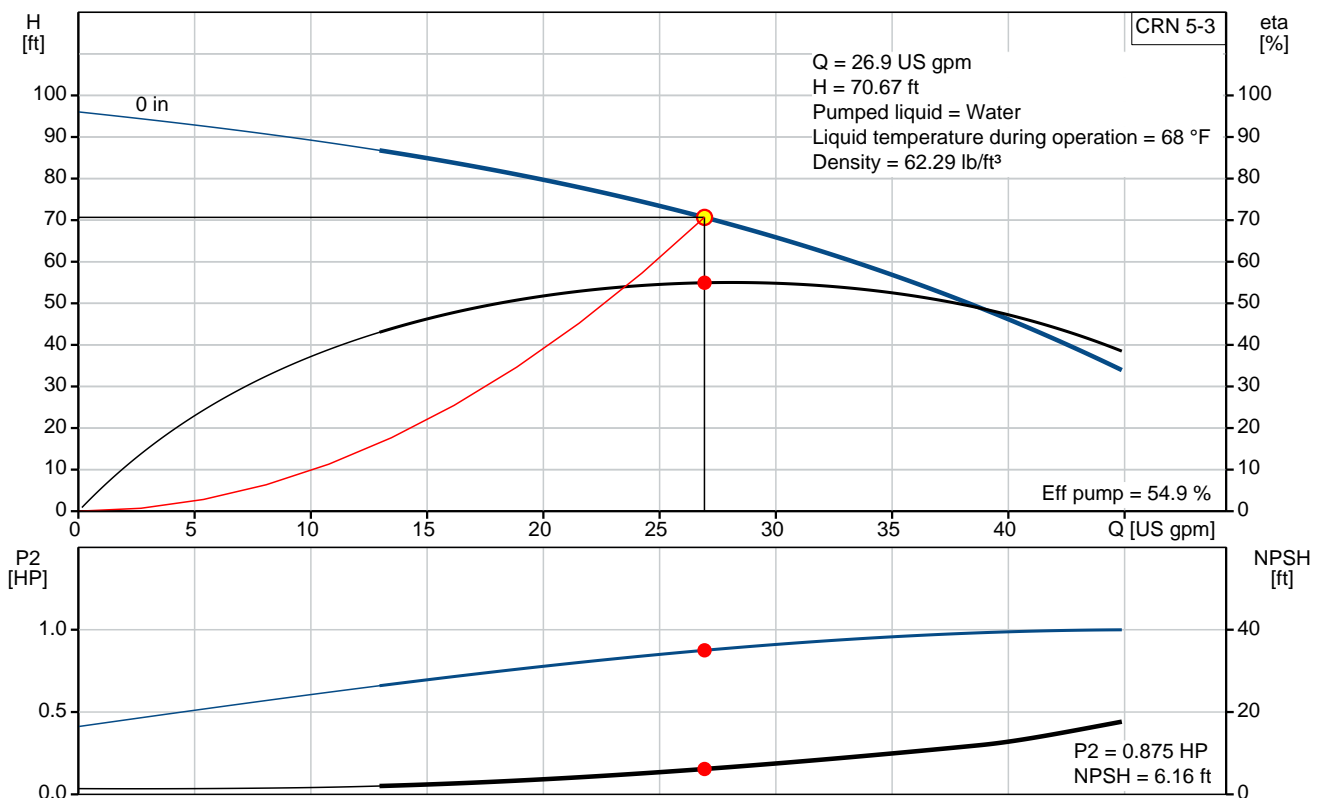


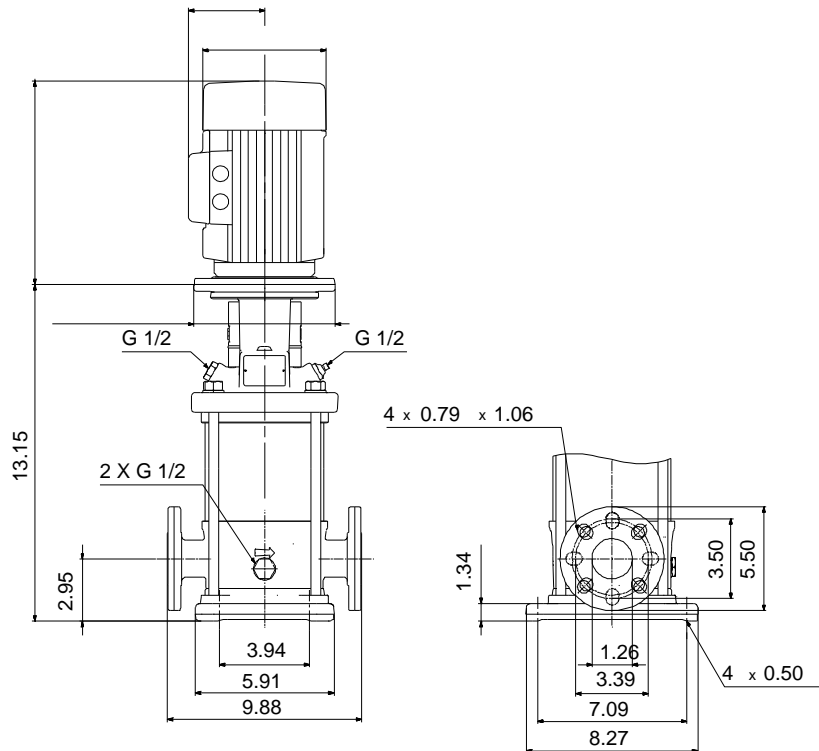
CRN 5-3

Vertical, multistage centrifugal pump with suction and discharge ports on same the level. Pump materials in contact with the liquid are in high-grade stainless steel (EN 1.4401) (AISI 316)

Product photo could vary from the actual product

Conditions of Service		Pump Data		Motor Data
Flow:	26.9 US gpm	Max pressure at stated temperature:	363 psi / 194 °F	Main frequency: 60 Hz
Head:	70.67 ft	Shaft seal:	HQQV	
Efficiency:	_____	Product number:	96085087	
Liquid:	Water			
Temperature:	68 °F			
NPSH required:	6.16 ft			
Viscosity:	_____			
Specific Gravity:	1.000			





Materials:

Base: Stainless steel
 EN 1.4408
 AISI 316

Impeller: Stainless steel
 AISI 316
 EN 1.4401

Material code: G
 Code for rubber: V

Tender Text



Product photo could vary from the actual product

Product No.: [96085087](#)

CRN 5-3 A-FGJ-G-V-HQQV

Vertical, non-self-priming, multistage, in-line, centrifugal pump for installation in pipe systems and mounting on a foundation.

The pump has the following characteristics:

- Impellers, intermediate chambers and outer sleeve are made of
- Pump head cover and base are made of
- The shaft seal has assembly length according to EN 12756.
- Power transmission is via cast iron split coupling.
flanges/couplings.

Controls:

Frequency converter: NONE

Liquid:

Pumped liquid: Water
Liquid temperature during operation: 68 °F
Density: 62.29 lb/ft³

Technical:

Speed for pump data: 3484 rpm
Actual calculated flow: 26.9 US gpm
Resulting head of the pump: 70.67 ft
Pump orientation: Vertical
Shaft seal arrangement: Single
Code for shaft seal: HQQV
Curve tolerance: ISO9906:2012 3B

Materials:

Base: Stainless steel
EN 1.4408
AISI 316
Impeller: Stainless steel
EN 1.4401
AISI 316
Bearing material: SIC



Company name:

Created by:

Phone:

Date:

2/21/2018

Installation:

Max pressure at stated temperature: 363 psi / 194 °F
363 psi / -4 °F

Type of connection: DIN / ANSI / JIS
Size of inlet connection: DN 25/32
Size of suction port: 1 1/4 inch
Size of outlet connection: DN 25/32
Size of outlet port: 1 1/4 inch
Pressure rating: PN 25
Flange size for motor: 56C
Flange rating inlet: 300 lb

Electrical data:

Motor standard: NEMA
Power (P2) required by pump: 1 HP

Others:

Net weight: 35.8 lb
Gross weight: 46.8 lb
Shipping volume: 4.94 ft³

Position	Count	Description
	1	<p>CRN 5-3 A-FGJ-G-V-HQQV</p>  <p style="text-align: right;">Product photo could vary from the actual product</p> <p>Product No.: 96085087 Vertical, non-self-priming, multistage, in-line, centrifugal pump for installation in pipe systems and mounting on a foundation.</p> <p>The pump has the following characteristics:</p> <ul style="list-style-type: none"> - Impellers, intermediate chambers and outer sleeve are made of - Pump head cover and base are made of - The shaft seal has assembly length according to EN 12756. - Power transmission is via cast iron split coupling. <p>flanges/couplings.</p> <p>Controls: Frequency converter: NONE</p> <p>Liquid: Pumped liquid: Water Liquid temperature during operation: 68 °F Density: 62.29 lb/ft³</p> <p>Technical: Speed for pump data: 3484 rpm Actual calculated flow: 26.9 US gpm Resulting head of the pump: 70.67 ft Pump orientation: Vertical Shaft seal arrangement: Single Code for shaft seal: HQQV Curve tolerance: ISO9906:2012 3B</p> <p>Materials: Base: Stainless steel EN 1.4408 AISI 316 Impeller: Stainless steel EN 1.4401 AISI 316 Bearing material: SIC</p> <p>Installation: Max pressure at stated temperature: 363 psi / 194 °F</p>



Company name:

Created by:

Phone:

Date:

2/21/2018

Position	Count	Description
		363 psi / -4 °F
		Type of connection: DIN / ANSI / JIS
		Size of inlet connection: DN 25/32
		Size of suction port: 1 1/4 inch
		Size of outlet connection: DN 25/32
		Size of outlet port: 1 1/4 inch
		Pressure rating: PN 25
		Flange size for motor: 56C
		Flange rating inlet: 300 lb
		Electrical data:
		Motor standard: NEMA
		Power (P2) required by pump: 1 HP
		Others:
		Net weight: 35.8 lb
		Gross weight: 46.8 lb
		Shipping volume: 4.94 ft ³



Company name:

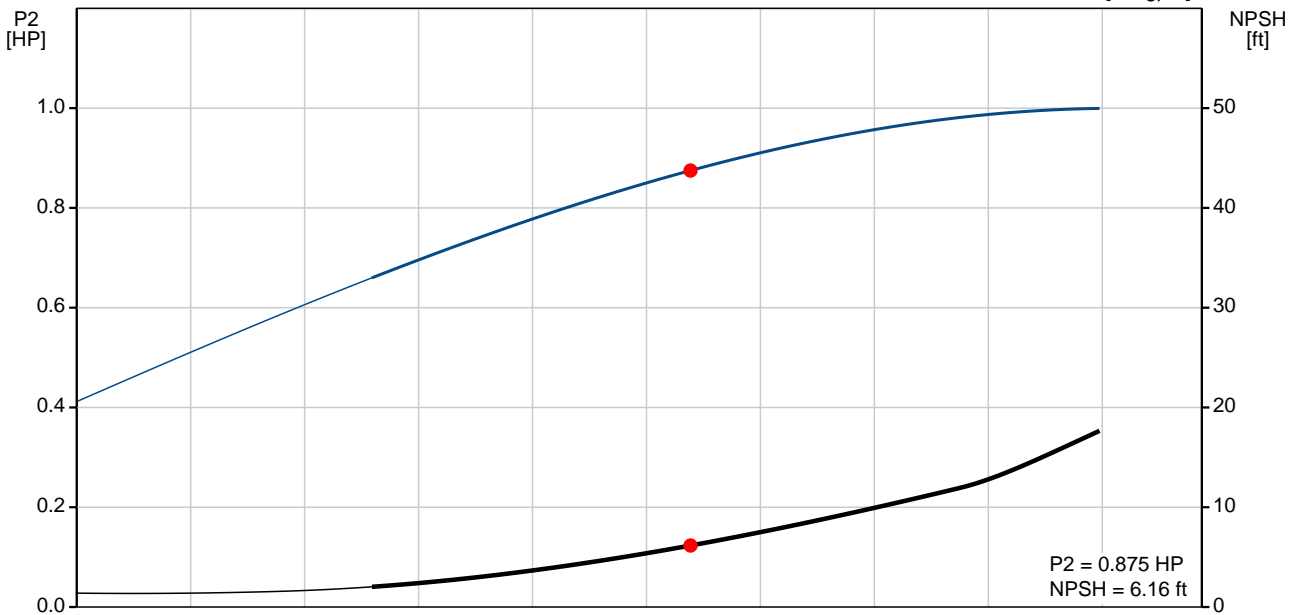
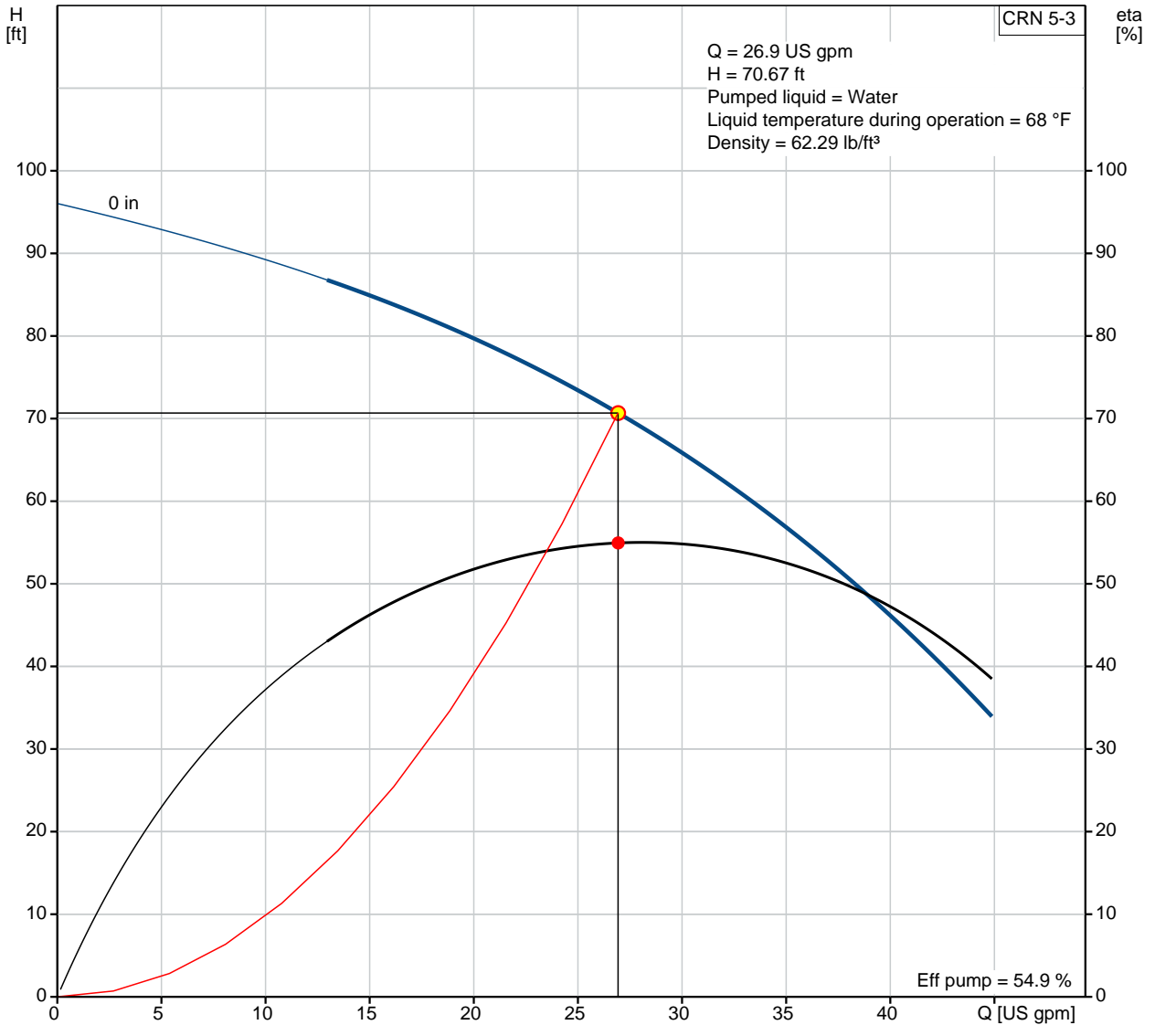
Created by:

Phone:

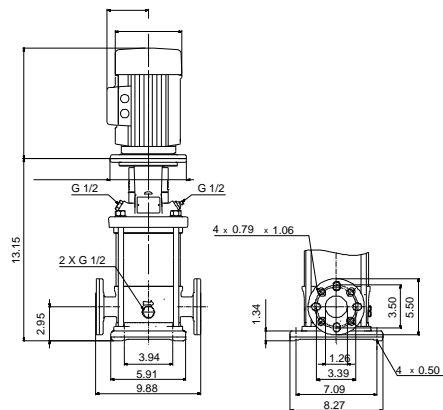
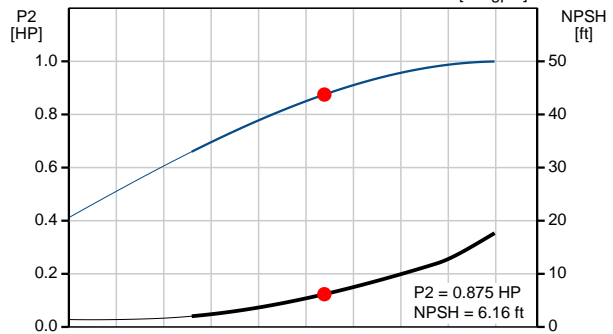
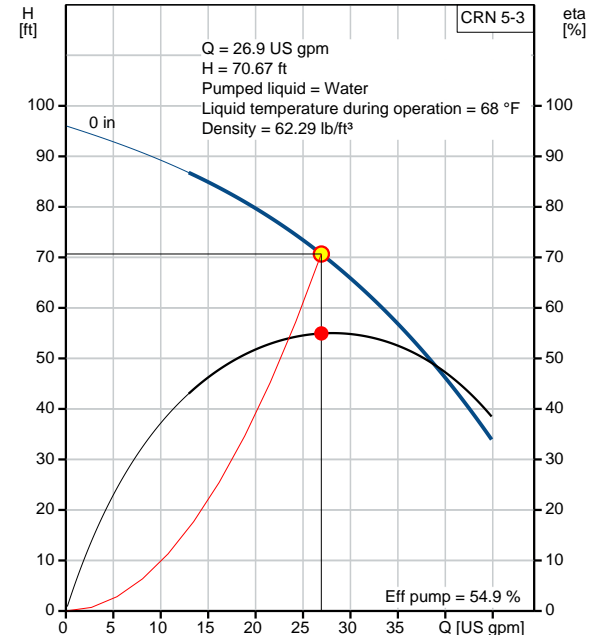
Date:

2/21/2018

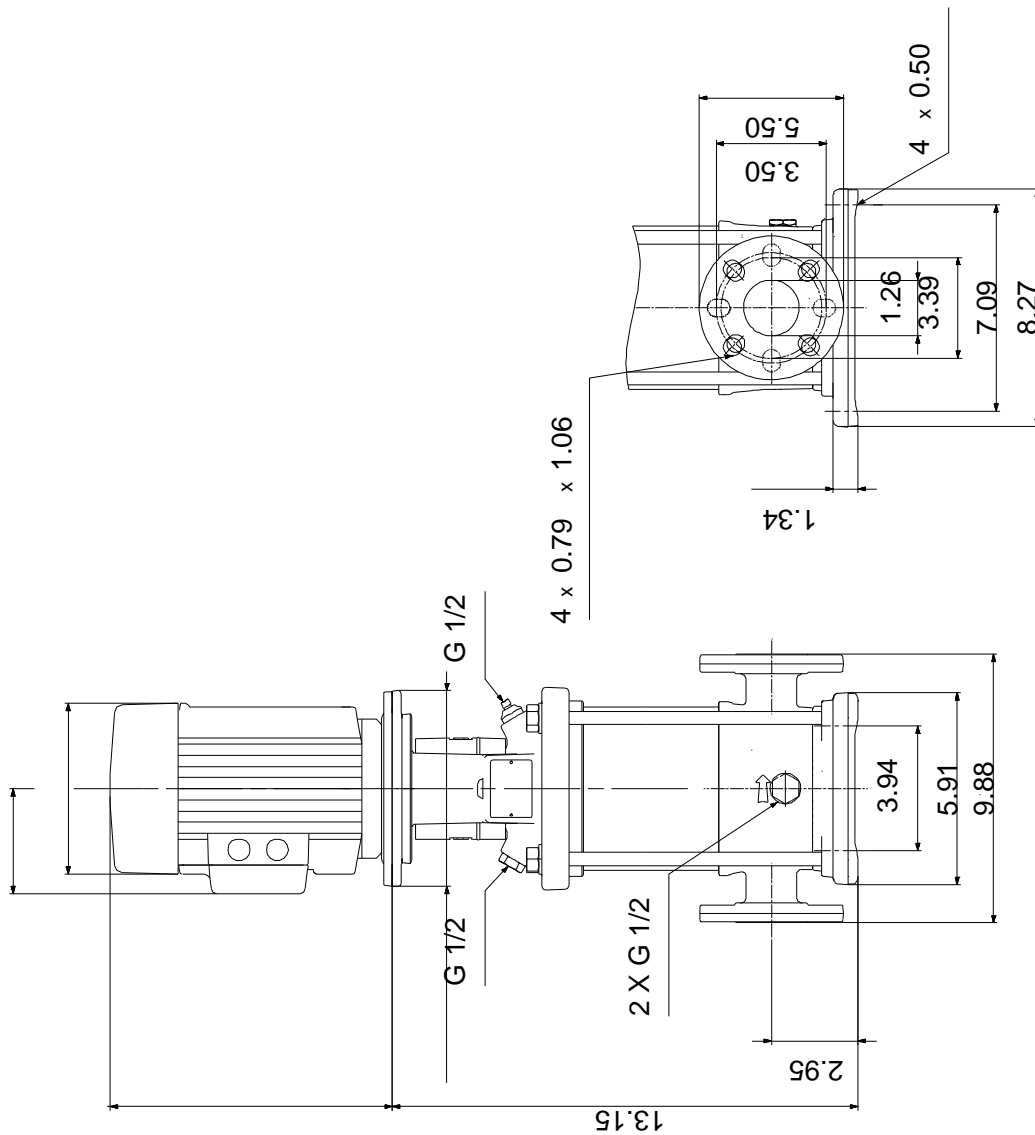
96085087 CRN 5-3 60 Hz



Description	Value
General information:	
Product name:	CRN 5-3 A-FGJ-G-V-HQQV
Product No.:	96085087
EAN:	5700395199253
Technical:	
Speed for pump data:	3484 rpm
Actual calculated flow:	26.9 US gpm
Resulting head of the pump:	70.67 ft
Stages:	3
Impellers:	3
Low NPSH:	N
Pump orientation:	Vertical
Shaft seal arrangement:	Single
Code for shaft seal:	HQQV
Curve tolerance:	ISO9906:2012 3B
Pump version:	A
Model:	A
Materials:	
Base:	Stainless steel EN 1.4408 AISI 316
Impeller:	Stainless steel EN 1.4401 AISI 316
Material code:	G
Code for rubber:	V
Bearing material:	SIC
Installation:	
Max pressure at stated temperature:	363 psi / 194 °F 363 psi / -4 °F
Type of connection:	DIN / ANSI / JIS
Connect code:	FGJ
Size of inlet connection:	DN 25/32
Size of suction port:	1 1/4 inch
Size of outlet connection:	DN 25/32
Size of outlet port:	1 1/4 inch
Pressure rating:	PN 25
Flange size for motor:	56C
Flange rating inlet:	300 lb
Liquid:	
Pumped liquid:	Water
Liquid temperature during operation:	68 °F
Density:	62.29 lb/ft ³
Electrical data:	
Motor standard:	NEMA
Power (P2) required by pump:	1 HP
Controls:	
Frequency converter:	NONE
Others:	
Net weight:	35.8 lb
Gross weight:	46.8 lb
Shipping volume:	4.94 ft ³



96085087 CRN 5-3 60 Hz



Note! All units are in [mm] unless otherwise stated.
Disclaimer: This simplified dimensional drawing does not show all details.



Company name:

Created by:

Phone:

Date: 2/21/2018

Order Data:

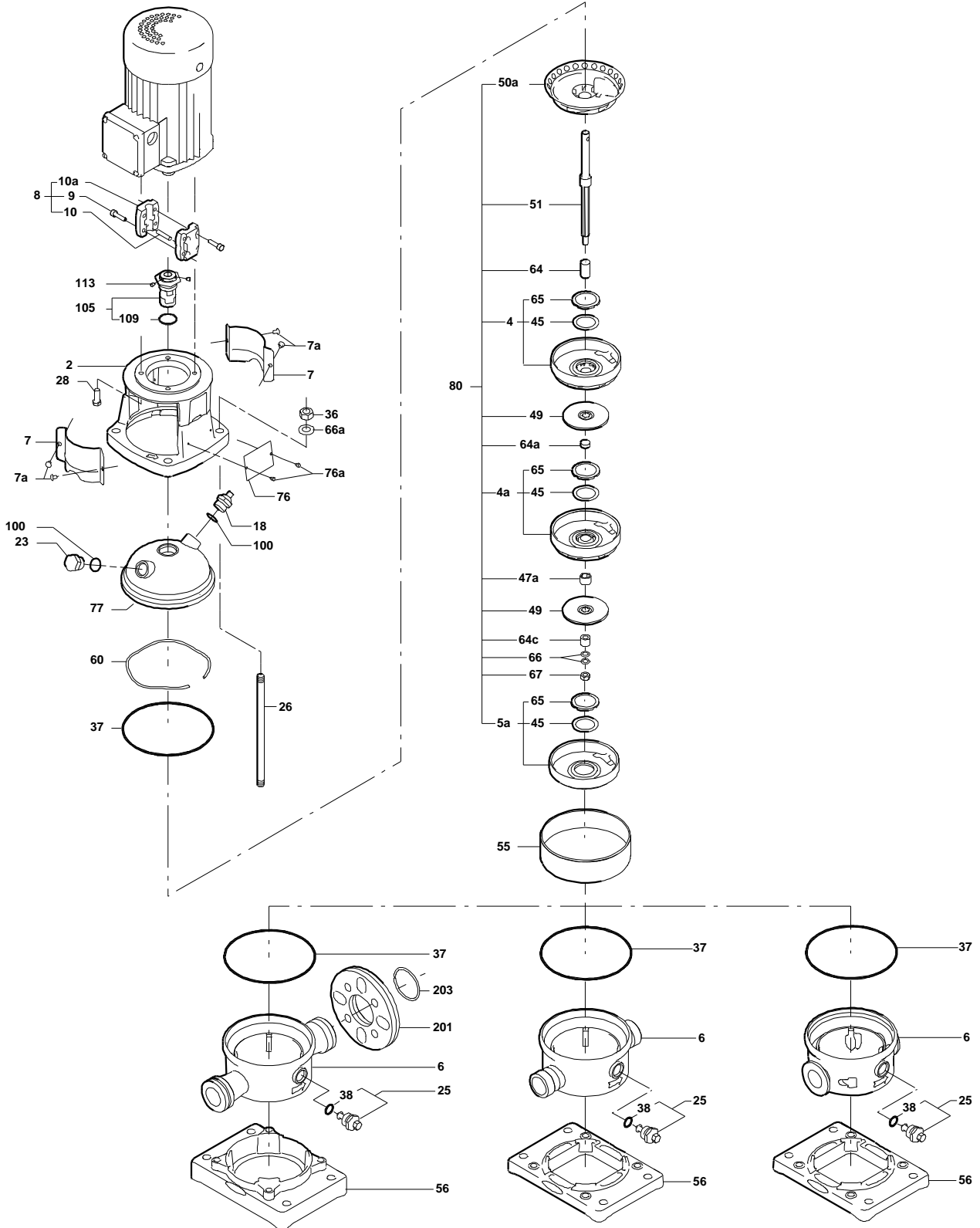
Product name: CRN 5-3 A-FGJ-G-V-HQQV

Amount: 1

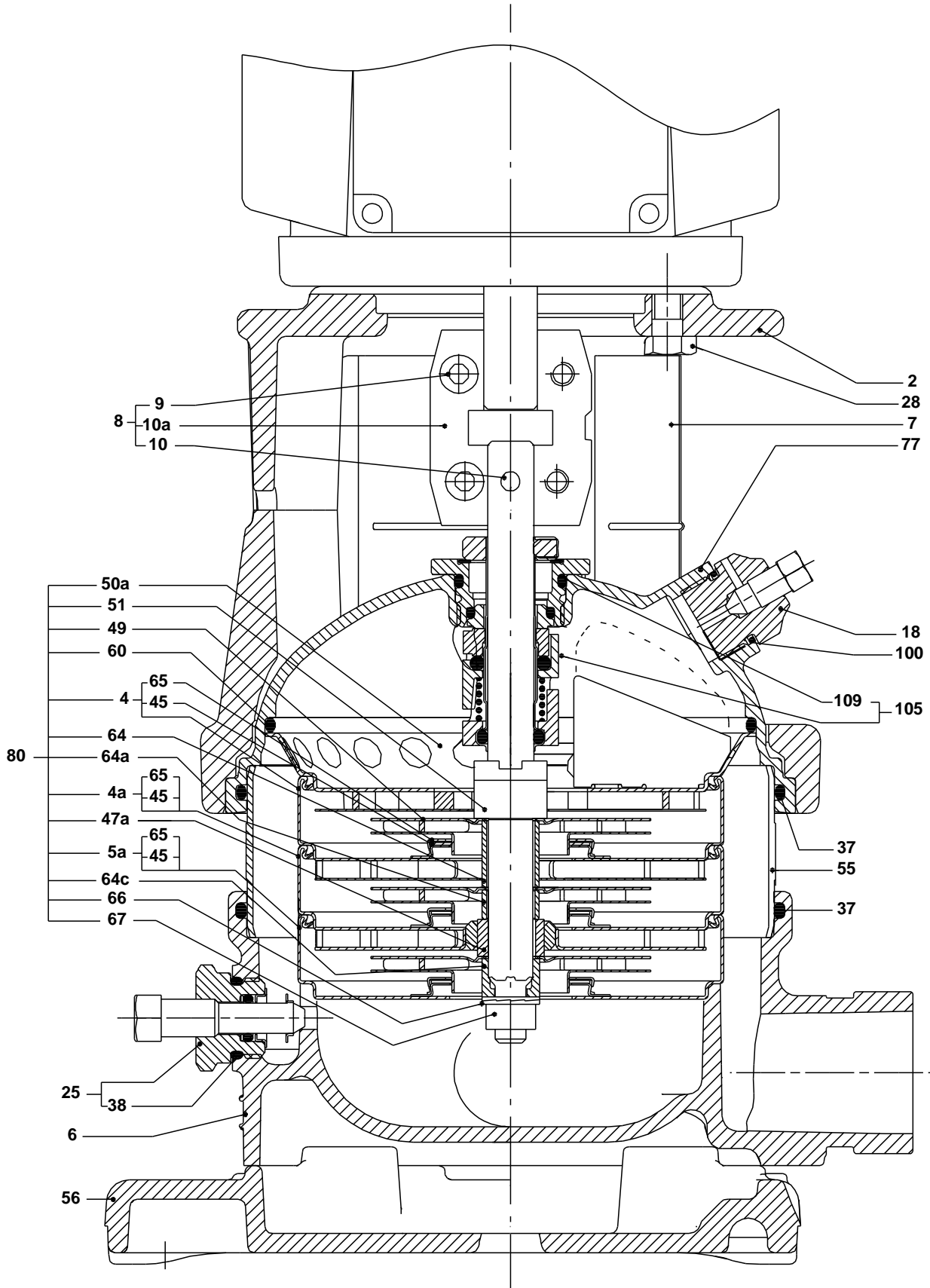
Product No.: 96085087

Total: Price on request

Exploded view (TM02 0212 4100)



Sectional drawing (TM02 0215 4100)



TM02

**Parts list CRN 5-3, Prod number 96085087
Valid from 1.1.2004 (0401)**

Position	Description	Annotation	Classification data	Part No.	Count	Unit
-	Base cpl.				1	pcs
6	Base				1	
56	Base plate				1	
201.a	Flange				2	
203	Lock ring				2	
-	Sealing parts				1	pcs
- 25	Drain plug w/bypass valve				1	
38	O-ring		Diameter: 16,3			
			Material type: FKM			
			Thickness: 2,4			
37	O-ring		Diameter: 137,5		2	
			Material type: FKM			
			Thickness: 3,3			
100	O-ring		Diameter: 16,3		2	
			Material type: FKM			
			Thickness: 2,4			
- 2	Pump head cpl.				1	pcs
2	Motor stool				1	
7	Coupling guard				2	
7a	Thread cutting screw				4	
- 18	Air vent screw				1	
	Plug					
	Spindle					
- 25	Drain plug				1	
23	Pipe plug					
25	Drain plug					
28	Hex head cap screw		Length: 25		4	
			Thread: UNC 3/8"			
60	Formed wire spring				1	
77	Pump cover				1	
+ 8	Coupling cpl.				1	pcs
26	Staybolt		Length: 178		4	pcs
			Thread: M12			
36	Nut		Thread: M12		4	pcs
55	Outer sleeve				1	pcs
66a	Washer		Designation: DIN 125 A2		4	pcs
			Inner diameter: 13			
			Outer diameter: 24			
			Thickness: 2,5			
- 80	Chamber stack				1	pcs
	Spacing pipe		Length: 2.00		1	
-	Chamber w. bearing cpl.				1	
	Chamber					
45	Neck ring					
65	Neck ring retainer					
- 4	Chamber cpl.				1	
	Chamber					
45	Neck ring					
65	Neck ring retainer					
- 5a	Chamber cpl.				1	
	Chamber					
45	Neck ring					
65	Neck ring retainer					



Company name:

Created by:

Phone:

Date:

2/21/2018

Position	Description	Annotation	Classification data	Part No.	Count	Unit
36	Lock nut		Thread: M8		1	
47a	Bearing ring, rotating				1	
+ 49	Impeller cpl.				3	
- 50a	Guide vane				1	
	Guide vane					
	Plate					
50b	Top plate					
51	Shaft, spline, cpl.				1	
64a	Spacing pipe		Length: 13.00		1	
64c	Clamp, splined		Inner diameter: 8,5		1	
			Outer diameter: 15			
66	Wedge lock washer				1	
69	Spacing pipe		Length: 26.0		1	
- 105	Shaft seal		Material type: HQQV		1	pcs
	O-ring				1	
	O-ring				1	
	O-ring				1	
	Seal driver, upper				1	
	Seal driver, lower				1	
	Spacer ring				1	
	Pipe				1	
	Plug				1	
	Plug				1	
	Compression spring				1	
	Socket set screw				3	
103	Seal ring, stationary				1	
105	Seal ring, rotating				1	
109	O-ring				1	
113	Driver				1	